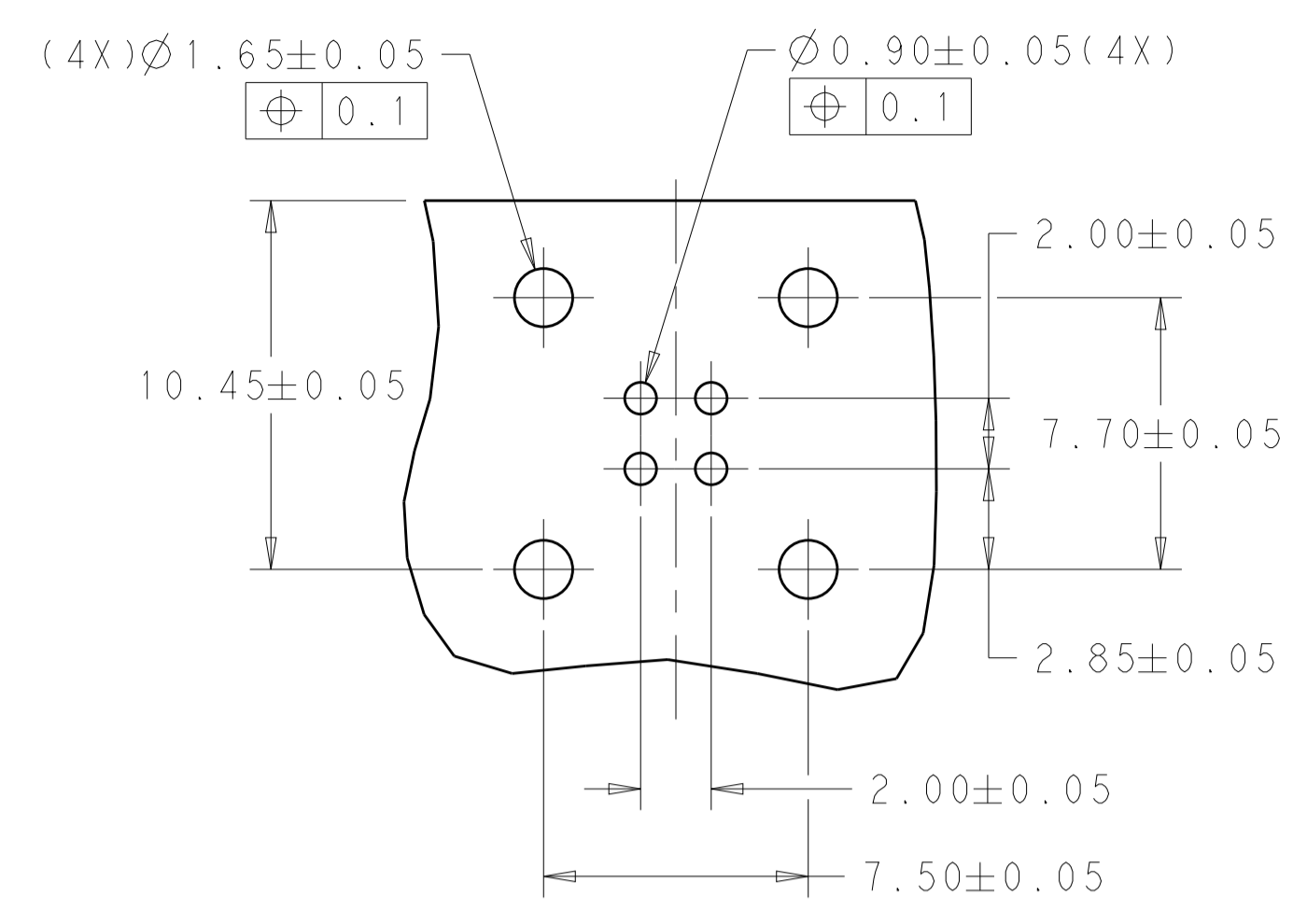
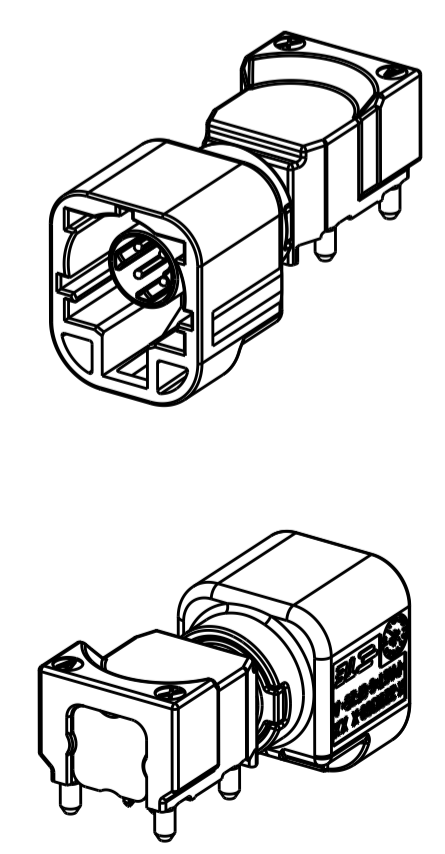
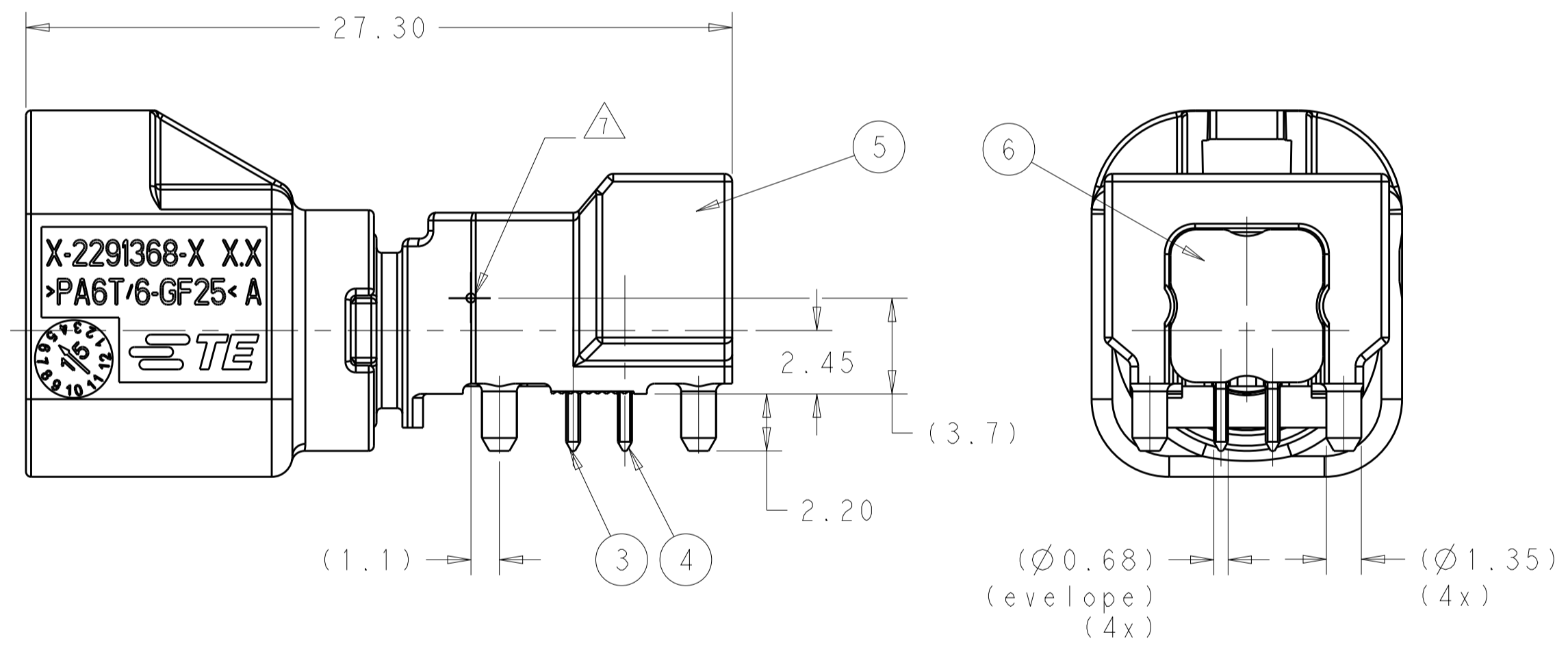
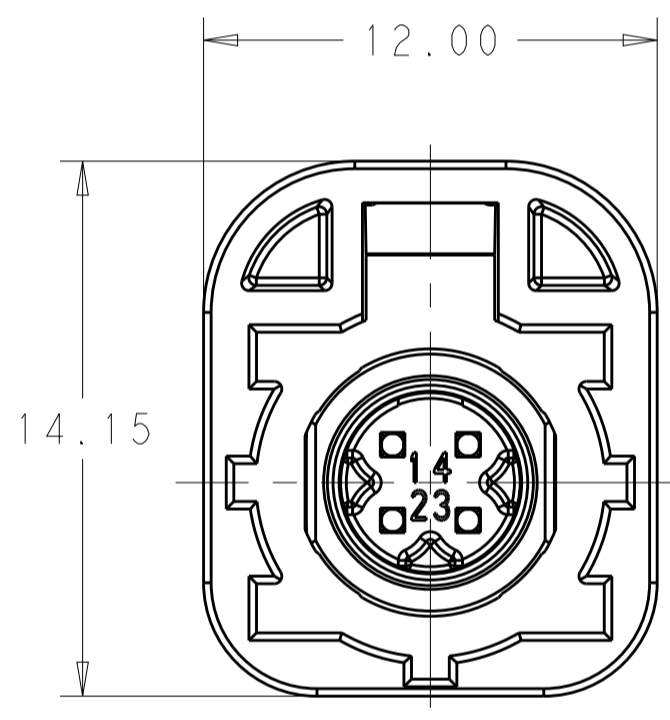
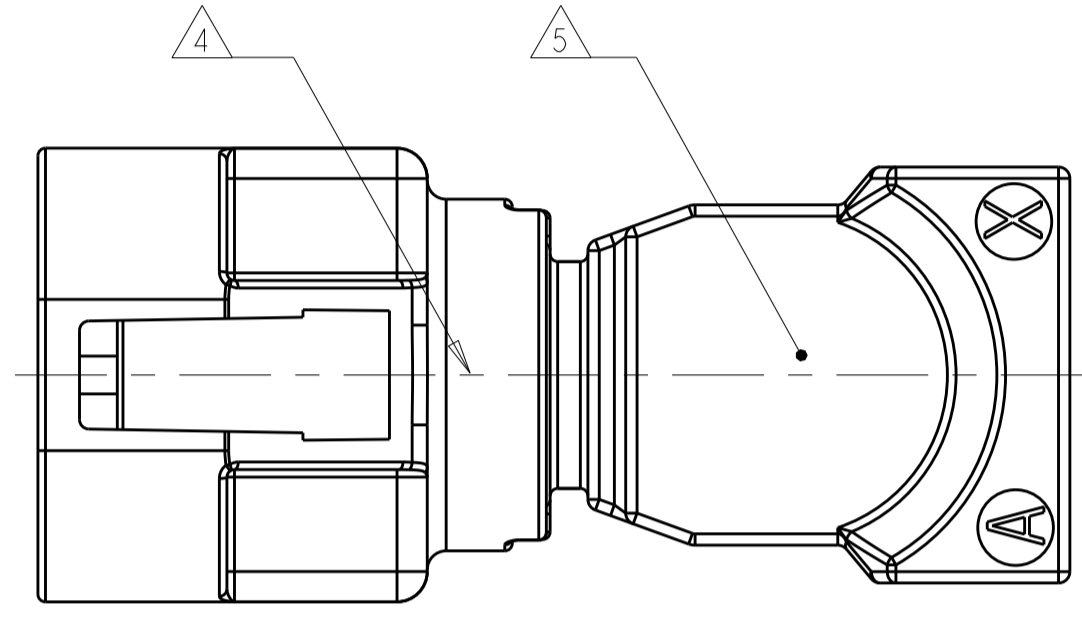


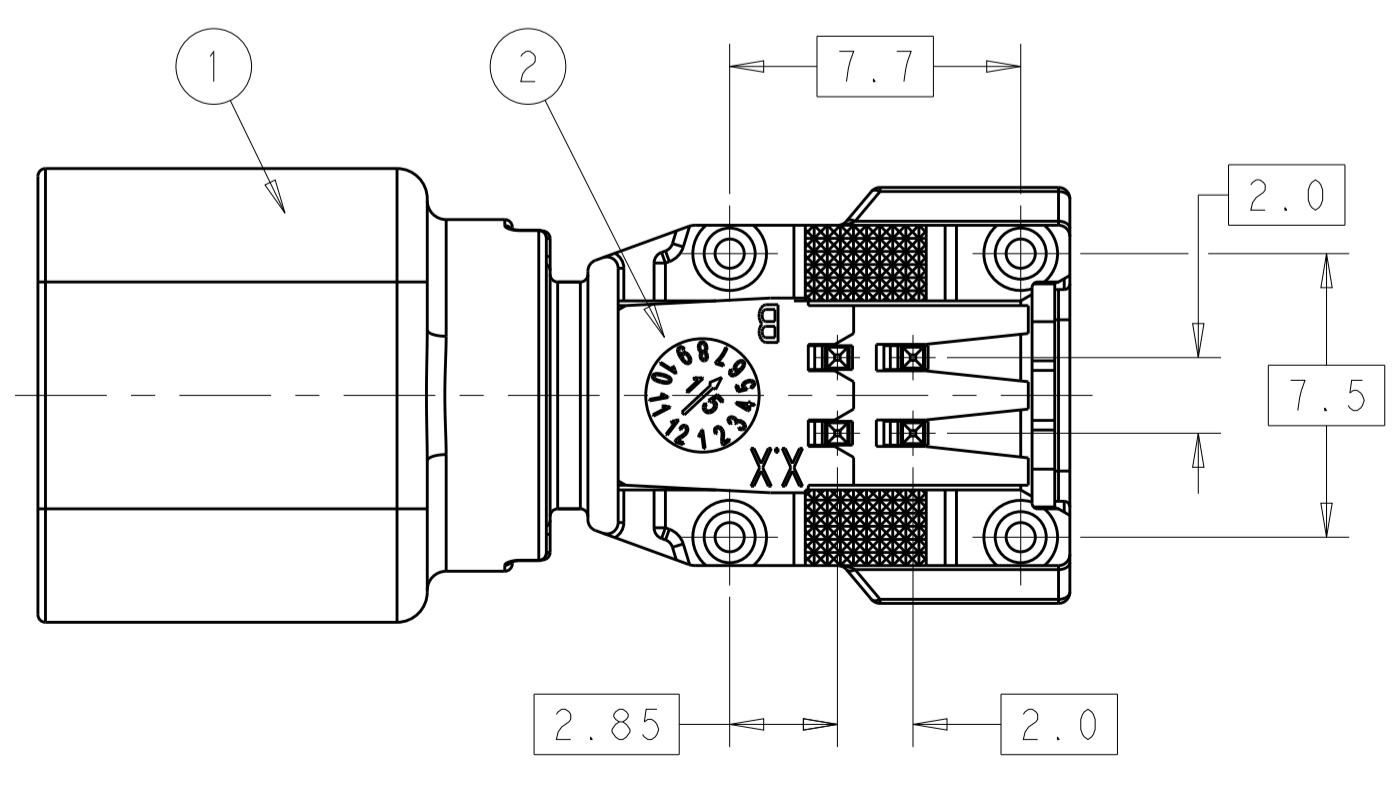
CODINGS						
CODE A	CODE B	CODE C	CODE D	CODE E	CODE F	CODE Z
CODE G	CODE H	CODE J	CODE K	CODE L	CODE M	CODE O



RECOMMENDED PCB LAYOUT

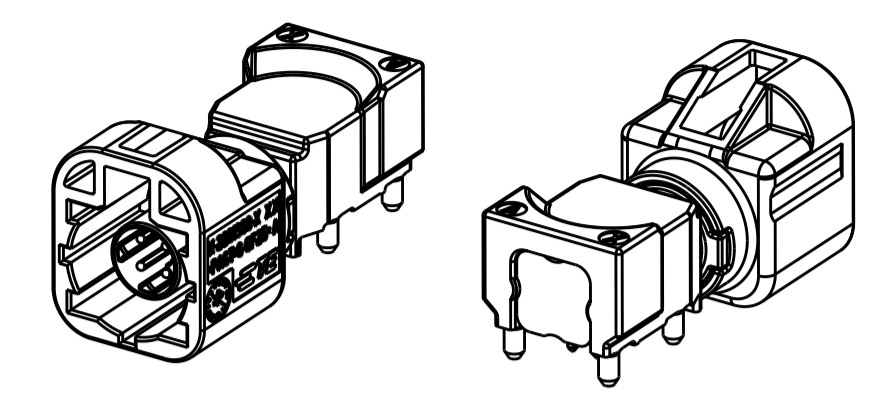


CODING O  
SCALE 2:1



- 1 DETAILS OF DESIGN ARE LEFT TO TE CONNECTIVITY
- 2 HSD INTERFACE ACC. TO TE SPEC. 114-18950
- 3 PACKAGING: TAPE AND REEL
- 4 MARKING OF 100% TEST PASSED
- 5 AREA OF VACUUM GRIPPER
- 6 FITS WITH HSD CONNECTOR 90 DEG. TE PN X-2208145-X AND HSD CONTACT 90 DEG. TE PN 2236774-1...-3 OR HSD CONNECTOR 180 DEG TE PN X-1823898-X AND HSD CONTACT 180 DEG. TE PN 2236772-1
- 7 CENTER OF GRAVITY
- 8 ALL DIMENSIONS IN BRACKETS ( ) FOR INFORMATION ONLY

REVISIONS				
P.	LTN	DESCRIPTION	DATE	OWN APVD
A		INITIAL RELEASE	03JUN2015	FP PW
B		ECR-16-012712	23AUG2016	FP PW
C		ECR-17-016824	17NOV2017	FP WW
C1		ECR-18-006317	25APR2018	FP WW



CODING Z  
SCALE 2:1

WEIGHT [g]: 6.7  
AS SHOWN CODING Z

QTY	CODE	DESCRIPTION	MATERIAL	FINISH COLOR, SIMILAR RAL	ITEM NO.										
1		SHIELDING CAP	BRASS	TIN PLATING 1µm MIN.	6										
1		SHIELDING BODY	Zn ALLOY	SOLDER SIDE: TIN PLATING 3µm MIN. INTERFACE SIDE(OUTER CONTACT): NICKEL PLATING 3µm MIN.	5										
2		CONTACT PIN (LONG)	CuSn4	SOLDER SIDE: TIN PLATING 3µm MIN. INTERFACE SIDE: GOLD PLATING 0.8µm MIN.	4										
2		CONTACT PIN (SHORT)			3										
1		CAVITY BLOCK	PA4T-GF30	BLACK	2										
		CODING COVER	PA6T/6-GF25	LIGHT GREEN / 6027	1										
				PASTEL ORANGE / 2003											
				YELLOW GREEN / 6048											
				CURRY / 1027											
				BEIGE / 1001											
				HEATHER VIOLET / 4003											
				BLUISH GREY / 7031											
				WATER BULE / 5021											
				NUT BROWN / 8011											
				LEAF GREEN / 6002											
				CLARET VIOLET / 4004											
				SIGNAL BLUE / 5005											
				CREAM WHITE / 9001											
		JET BLACK / 9005													
QUANTITY		CODE	DESCRIPTION	MATERIAL	FINISH COLOR, SIMILAR RAL	ITEM NO.									
2-1	2-2	2-3	2-4	2-5	2-6	2-9	3-1	3-2	3-3	3-4	3-5	3-6	3-9	ASSY NO. X-2291362-Y (PRELIMINARY)	
A	B	C	D	E	F	Z	G	H	J	K	L	M	O	ASSY CODE	
B	B	B	B	B	B	B	B	B	B	B	B	B	B	REVISION	

QTY	CODE	DESCRIPTION	MATERIAL	FINISH COLOR, SIMILAR RAL	ITEM NO.										
1		SHIELDING CAP	BRASS	TIN PLATING 1µm MIN.	6										
1		SHIELDING BODY	Zn ALLOY	SOLDER SIDE: TIN PLATING 3µm MIN. INTERFACE SIDE(OUTER CONTACT): TIN PLATING 3µm MIN.	5										
2		CONTACT PIN (LONG)	CuSn4	SOLDER SIDE: TIN PLATING 3µm MIN. INTERFACE SIDE: GOLD PLATING 0.8µm MIN.	4										
2		CONTACT PIN (SHORT)			3										
1		CAVITY BLOCK	PA4T-GF30	BLACK	2										
		CODING COVER	PA6T/6-GF25	LIGHT GREEN / 6027	1										
				PASTEL ORANGE / 2003											
				YELLOW GREEN / 6048											
				CURRY / 1027											
				BEIGE / 1001											
				HEATHER VIOLET / 4003											
				BLUISH GREY / 7031											
				WATER BULE / 5021											
				NUT BROWN / 8011											
				LEAF GREEN / 6002											
				CLARET VIOLET / 4004											
				SIGNAL BLUE / 5005											
				CREAM WHITE / 9001											
		JET BLACK / 9005													
QUANTITY		CODE	DESCRIPTION	MATERIAL	FINISH COLOR, SIMILAR RAL	ITEM NO.									
0-1	0-2	0-3	0-4	0-5	0-6	0-9	1-1	1-2	1-3	1-4	1-5	1-6	1-9	ASSY NO. X-2291362-Y	
A	B	C	D	E	F	Z	G	H	J	K	L	M	O	ASSY CODE	
B	B	B	B	B	B	B	B	B	B	B	B	B	B	REVISION	

THIS DRAWING IS A CONTROLLED DOCUMENT.

OWN	01APR2015	TE Connectivity HSD Header 90deg
CHK	01APR2015	
APP	01APR2015	
P. MGR	01APR2015	
DIMENSIONS:		PRODUCT SPEC
TOLERANCES UNLESS OTHERWISE SPECIFIED:		APPLICATION SPEC
mm	0 PLC ±	SIZE
	1 PLC ±0.5	CAGE CODE
	2 PLC ±0.5	DRAWING NO
	3 PLC ±	RESTRICTED TO
	4 PLC ±	SCALE
	ANGLES ±	SHEET
MATERIAL	FINISH	WEIGHT
		Customer Drawing

Customer Drawing SCALE 5:1 SHEET 1 OF 1 REV C1

## X-ON Electronics

Largest Supplier of Electrical and Electronic Components

*Click to view similar products for [Standard Circular Connector](#) category:*

*Click to view products by [TE Connectivity](#) manufacturer:*

Other Similar products are found below :

[600273N007](#) [6134-336-13149](#) [6134-337-11149](#) [6134-337-2390](#) [6134-341-17149](#) [67-02E12-60PX](#) [680-SMG](#) [CXS3102A181S](#)  
[D38999/20FC8SA L/C](#) [75-190216-08S](#) [75-190611-03S](#) [75-474014-05S](#) [75-474618-04S](#) [75-474620-07P](#) [799539-000](#) [805-005-07NF11-19PC](#)  
[805-005-07NF15-7PA](#) [FMP.2M.310.XLCT](#) [836783-1](#) [862256-1](#) [866857-1](#) [867865-1](#) [PT08P-14-19S](#) [PT08P-14-5S](#) [QCM019PC2DC012B](#)  
[121583-0217](#) [121667-0020](#) [RD10A16-19-P6CS051/1](#) [RD16A14-12-S6CS051/2](#) [1301240268](#) [1301240275](#) [1301860906](#) [DCU-08BFEA-](#)  
[LL7001](#) [RM15WTP-CP\(5\)\(71\)](#) [14482](#) [16283-18](#) [1877910-1](#) [206039-3](#) [206323-1](#) [207002-2](#) [207682-1](#) [CA06COME14SA7P](#) [211777-1](#) [JL04-](#)  
[1012CK\(05\)-R](#) [JL04V-2A28-11PE-R](#) [JL04V-2E10SL-3PE-B-R](#) [JL04V-2E20-15PE-B-R](#) [JL04V-2E20-4PE-B-R](#) [JL04V-2E24-10PE\(G\)-B-R](#)  
[JL04V-6A24-11SE-EB-R](#)