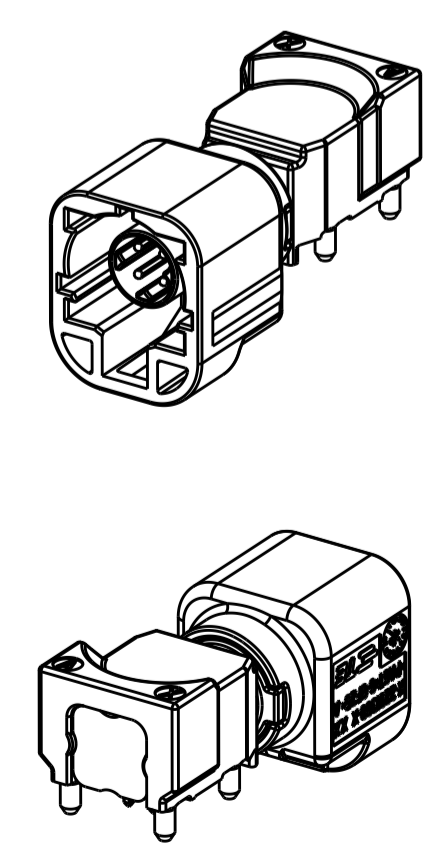
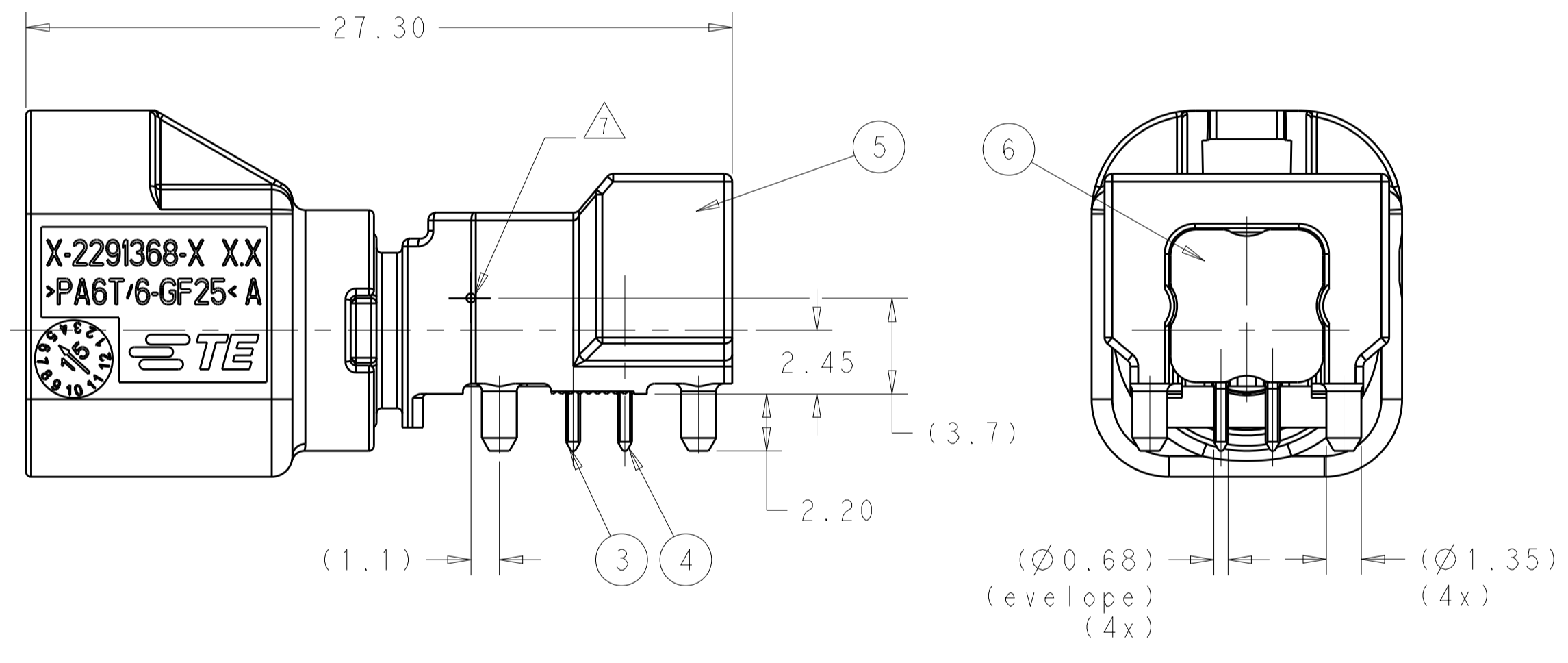
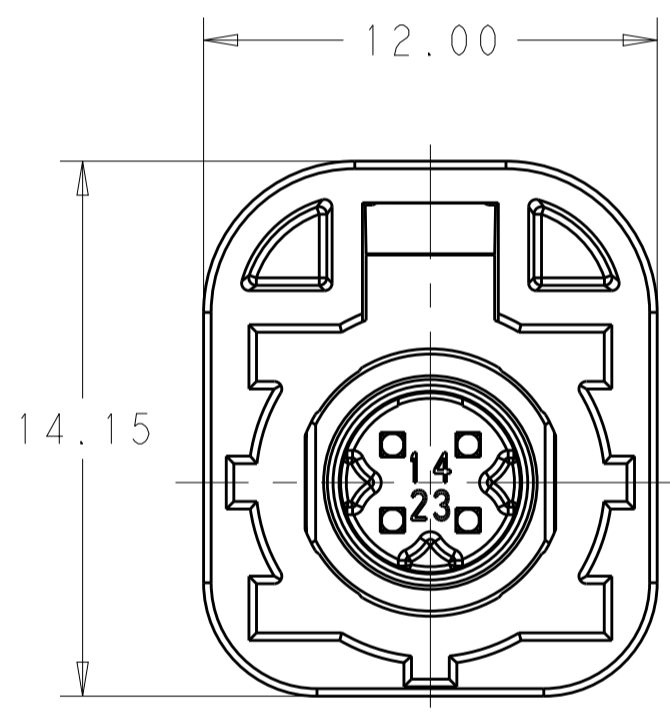
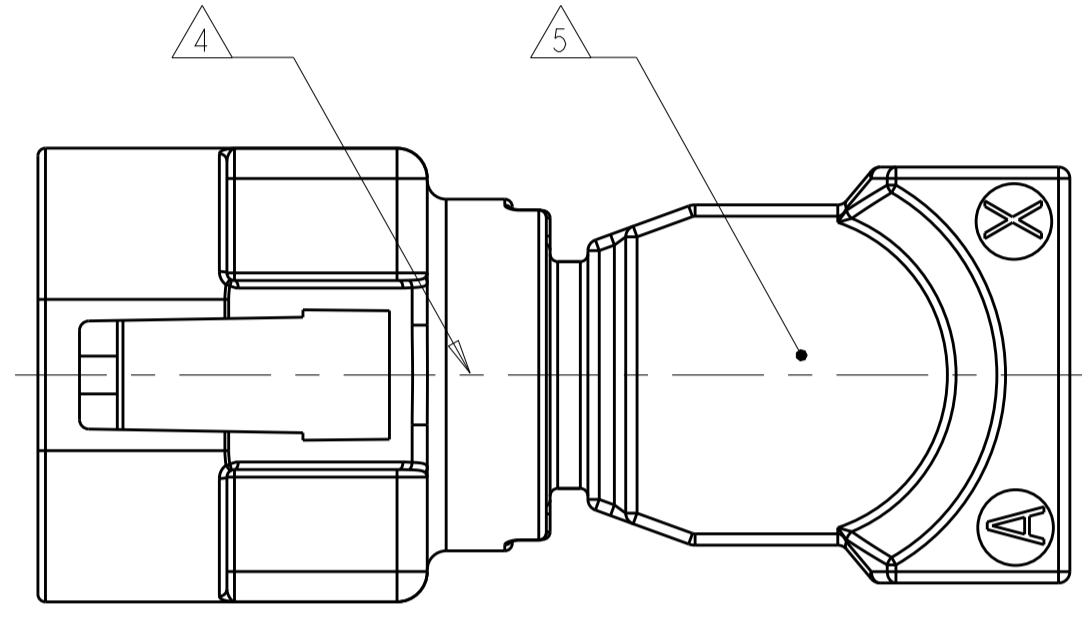
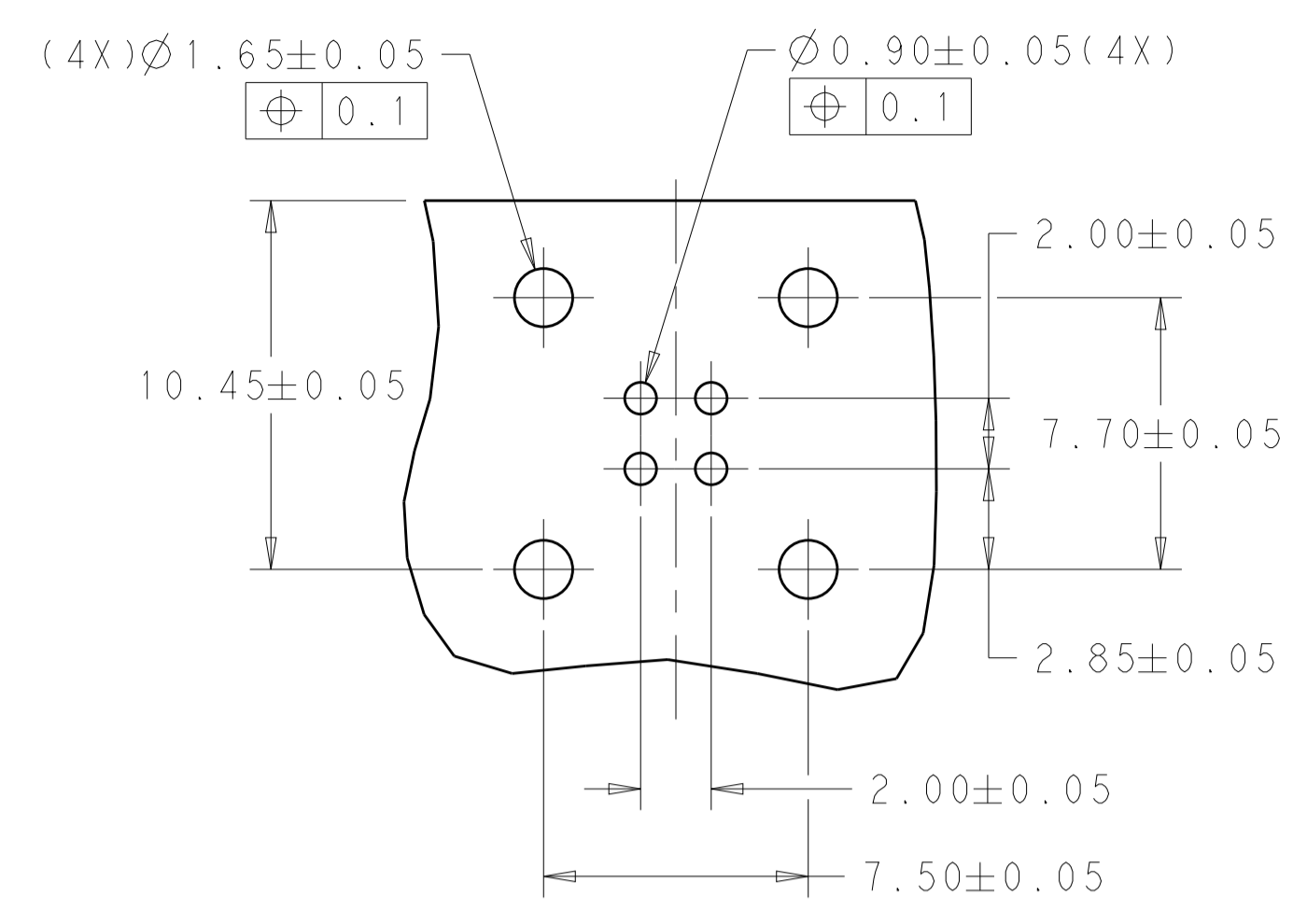
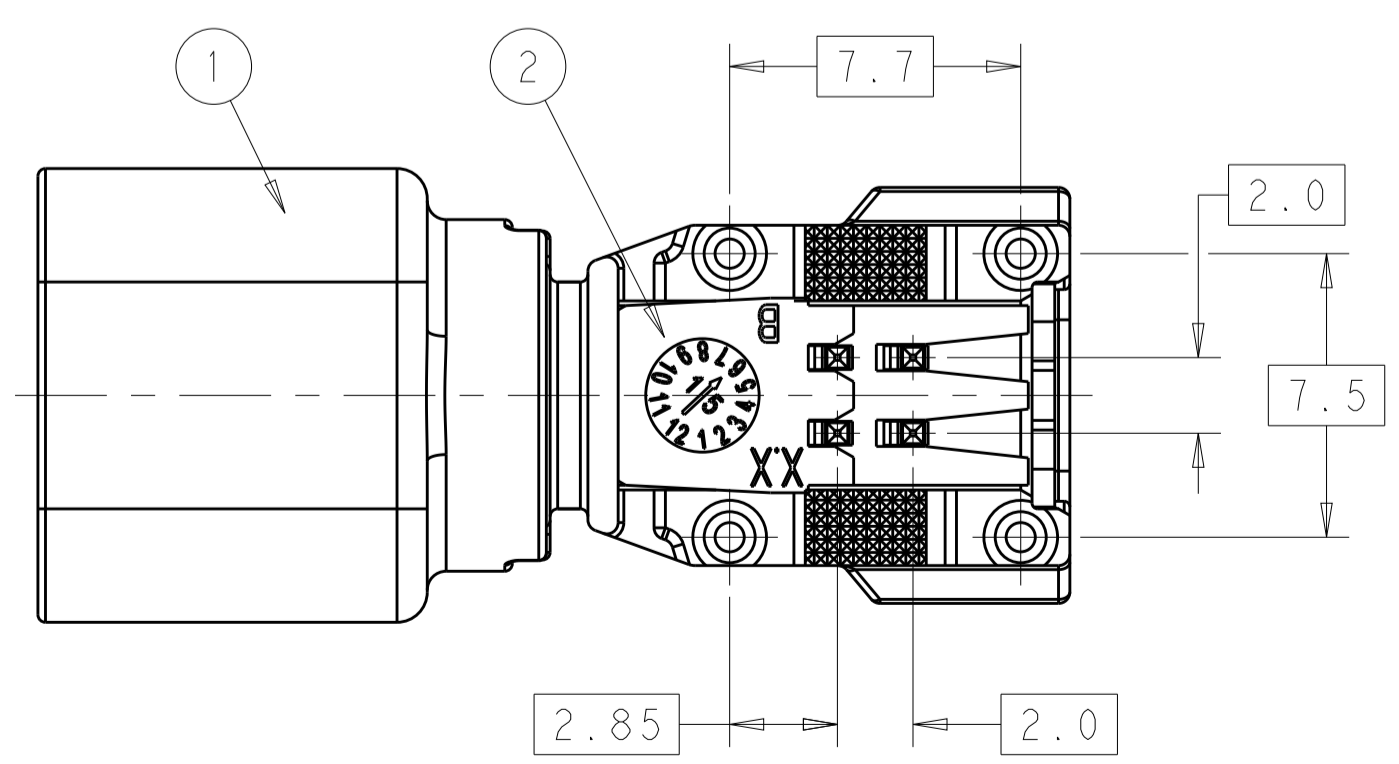


CODINGS						
CODE A	CODE B	CODE C	CODE D	CODE E	CODE F	CODE Z
CODE G	CODE H	CODE J	CODE K	CODE L	CODE M	CODE O

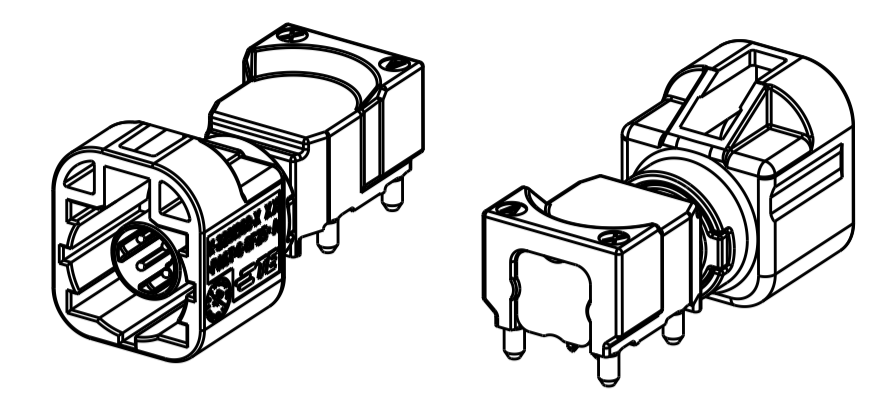


CODING O  
SCALE 2:1



- 1 DETAILS OF DESIGN ARE LEFT TO TE CONNECTIVITY
- 2 HSD INTERFACE ACC. TO TE SPEC. 114-18950
- 3 PACKAGING: TAPE AND REEL
- 4 MARKING OF 100% TEST PASSED
- 5 AREA OF VACUUM GRIPPER
- 6 FITS WITH HSD CONNECTOR 90 DEG. TE PN X-2208145-X AND HSD CONTACT 90 DEG. TE PN 2236774-1...-3 OR HSD CONNECTOR 180 DEG TE PN X-1823898-X AND HSD CONTACT 180 DEG. TE PN 2236772-1
- 7 CENTER OF GRAVITY
- 8 ALL DIMENSIONS IN BRACKETS ( ) FOR INFORMATION ONLY

REVISIONS				
P.	LTN	DESCRIPTION	DATE	OWN APVD
A		INITIAL RELEASE	03JUN2015	FP PW
B		ECR-16-012712	23AUG2016	FP PW
C		ECR-17-016824	17NOV2017	FP WW
C1		ECR-18-006317	25APR2018	FP WW



CODING Z  
SCALE 2:1

WEIGHT [g]: 6.7  
AS SHOWN CODING Z

QTY	CODE	DESCRIPTION	MATERIAL	FINISH COLOR, SIMILAR RAL	ITEM NO.										
1		SHIELDING CAP	BRASS	TIN PLATING 1µm MIN.	6										
1		SHIELDING BODY	Zn ALLOY	SOLDER SIDE: TIN PLATING 3µm MIN. INTERFACE SIDE(OUTER CONTACT): NICKEL PLATING 3µm MIN.	5										
2		CONTACT PIN (LONG)	CuSn4	SOLDER SIDE: TIN PLATING 3µm MIN. INTERFACE SIDE: GOLD PLATING 0.8µm MIN.	4										
2		CONTACT PIN (SHORT)			3										
1		CAVITY BLOCK	PA4T-GF30	BLACK	2										
		CODING COVER	PA6T/6-GF25	LIGHT GREEN / 6027	1										
				PASTEL ORANGE / 2003											
				YELLOW GREEN / 6048											
				CURRY / 1027											
				BEIGE / 1001											
				HEATHER VIOLET / 4003											
				BLUISH GREY / 7031											
				WATER BULE / 5021											
				NUT BROWN / 8011											
				LEAF GREEN / 6002											
				CLARET VIOLET / 4004											
				SIGNAL BLUE / 5005											
				CREAM WHITE / 9001											
		JET BLACK / 9005													
QUANTITY		CODE	DESCRIPTION	MATERIAL	FINISH COLOR, SIMILAR RAL	ITEM NO.									
2-1	2-2	2-3	2-4	2-5	2-6	2-9	3-1	3-2	3-3	3-4	3-5	3-6	3-9	ASSY NO. X-2291362-Y (PRELIMINARY)	
A	B	C	D	E	F	Z	G	H	J	K	L	M	O	ASSY CODE	
B	B	B	B	B	B	B	B	B	B	B	B	B	B	REVISION	

QTY	CODE	DESCRIPTION	MATERIAL	FINISH COLOR, SIMILAR RAL	ITEM NO.										
1		SHIELDING CAP	BRASS	TIN PLATING 1µm MIN.	6										
1		SHIELDING BODY	Zn ALLOY	SOLDER SIDE: TIN PLATING 3µm MIN. INTERFACE SIDE(OUTER CONTACT): TIN PLATING 3µm MIN.	5										
2		CONTACT PIN (LONG)	CuSn4	SOLDER SIDE: TIN PLATING 3µm MIN. INTERFACE SIDE: GOLD PLATING 0.8µm MIN.	4										
2		CONTACT PIN (SHORT)			3										
1		CAVITY BLOCK	PA4T-GF30	BLACK	2										
		CODING COVER	PA6T/6-GF25	LIGHT GREEN / 6027	1										
				PASTEL ORANGE / 2003											
				YELLOW GREEN / 6048											
				CURRY / 1027											
				BEIGE / 1001											
				HEATHER VIOLET / 4003											
				BLUISH GREY / 7031											
				WATER BULE / 5021											
				NUT BROWN / 8011											
				LEAF GREEN / 6002											
				CLARET VIOLET / 4004											
				SIGNAL BLUE / 5005											
				CREAM WHITE / 9001											
		JET BLACK / 9005													
QUANTITY		CODE	DESCRIPTION	MATERIAL	FINISH COLOR, SIMILAR RAL	ITEM NO.									
0-1	0-2	0-3	0-4	0-5	0-6	0-9	1-1	1-2	1-3	1-4	1-5	1-6	1-9	ASSY NO. X-2291362-Y	
A	B	C	D	E	F	Z	G	H	J	K	L	M	O	ASSY CODE	
B	B	B	B	B	B	B	B	B	B	B	B	B	B	REVISION	

THIS DRAWING IS A CONTROLLED DOCUMENT.

OWN: F.PAN	01APR2015	 TE Connectivity HSD Header 90deg
CHK: F.PAN	01APR2015	
APVD: P.WILL	01APR2015	
NAME:		
DIMENSIONS:	TOLERANCES UNLESS OTHERWISE SPECIFIED:	PRODUCT SPEC: 108-101388
mm	0 PLC ±0.1	APPLICATION SPEC:
	1 PLC ±0.5	SIZE: A1
	2 PLC ±0.5	CAGE CODE: C=2291362
	3 PLC ±0.5	WEIGHT:
	4 PLC ±0.5	Customer Drawing
	ANGLES ±0.1	SCALE: 5:1
MATERIAL:	FINISH:	SHEET: 1 of 1
		REV: C1

## X-ON Electronics

Largest Supplier of Electrical and Electronic Components

*Click to view similar products for [Standard Circular Connector](#) category:*

*Click to view products by [TE Connectivity](#) manufacturer:*

Other Similar products are found below :

[6134-336-13149](#) [6134-337-11149](#) [6134-337-2390](#) [6134-341-17149](#) [6280-7SG-3DC](#) [6282-2SG-315](#) [67-02E12-60PX](#) [680-SMG](#)  
[CXS3102A181S](#) [D38999/20FC8SA L/C](#) [7251-5SG-300](#) [7282-3PG-300-CH3](#) [75-190216-08S](#) [75-190218-10P](#) [75-474118-10P](#) [75-474218-19S](#)  
[75-474618-04P](#) [75-474618-04S](#) [80-190222-18P](#) [805-005-07NF11-19PC](#) [805-005-07NF15-7PA](#) [8280-4PG-516](#) [8280-7PG-519](#) [836783-1](#)  
[862256-1](#) [866857-1](#) [867865-1](#) [120-1833-000](#) [QCM019PC2DC012B](#) [121583-0217](#) [121667-0020](#) [RD10A16-19-P6CS051/1](#) [RD16A14-12-](#)  
[S6CS051/2](#) [1301240347](#) [1301790476](#) [1301240268](#) [1301240275](#) [1301860183](#) [1301860906](#) [1302261559](#) [DCU-08BFEA-LL7001](#) [RM15WTP-](#)  
[CP\(5\)\(71\)](#) [14381-10SG-300](#) [14482](#) [14281-20PG-300](#) [16283-18](#) [18280-3SG-315](#) [1877910-1](#) [206039-3](#) [206323-1](#)