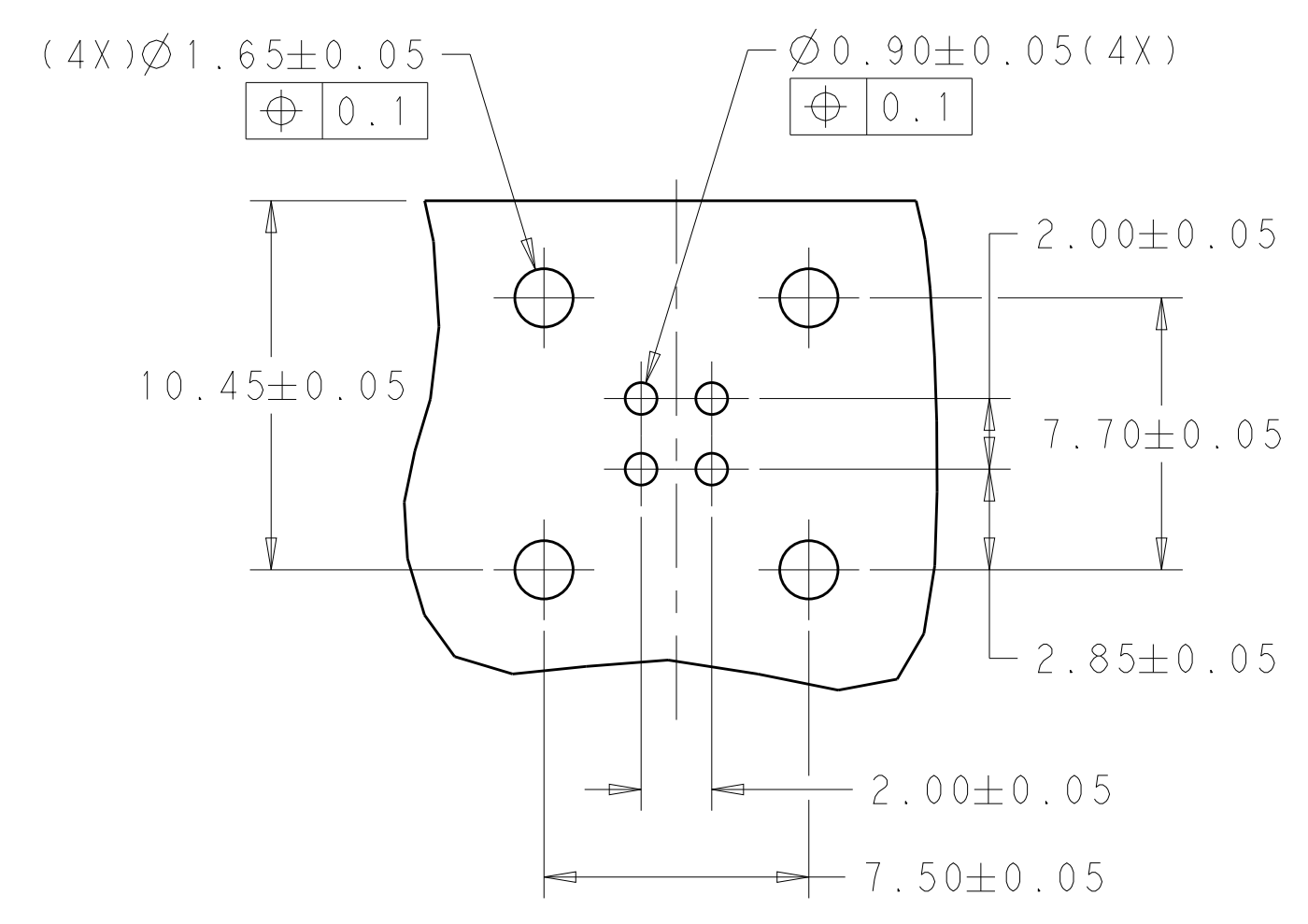
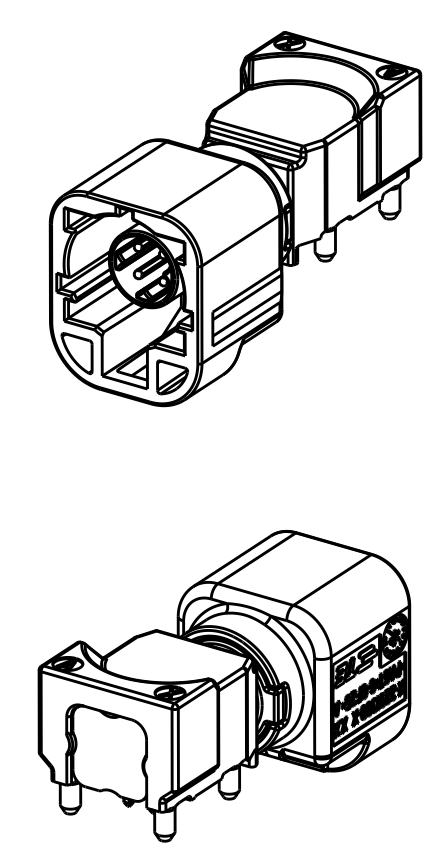
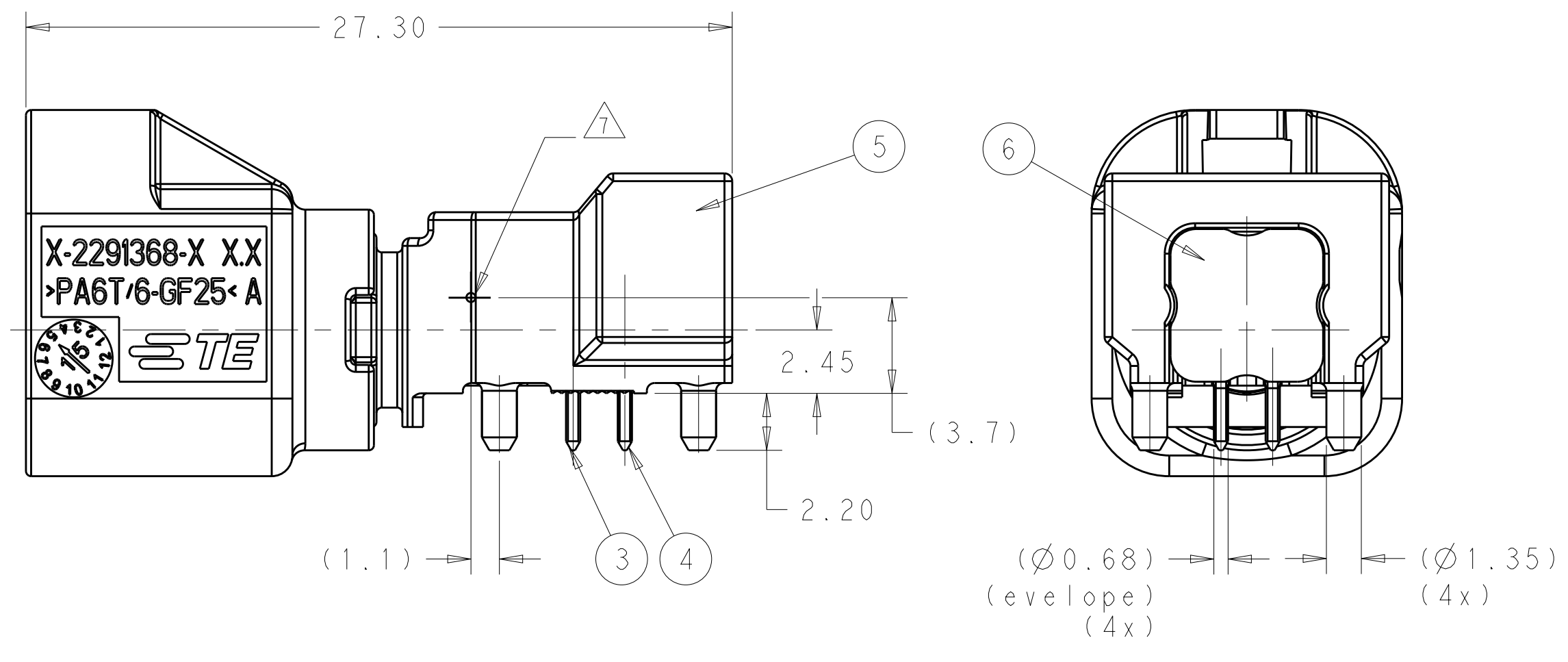
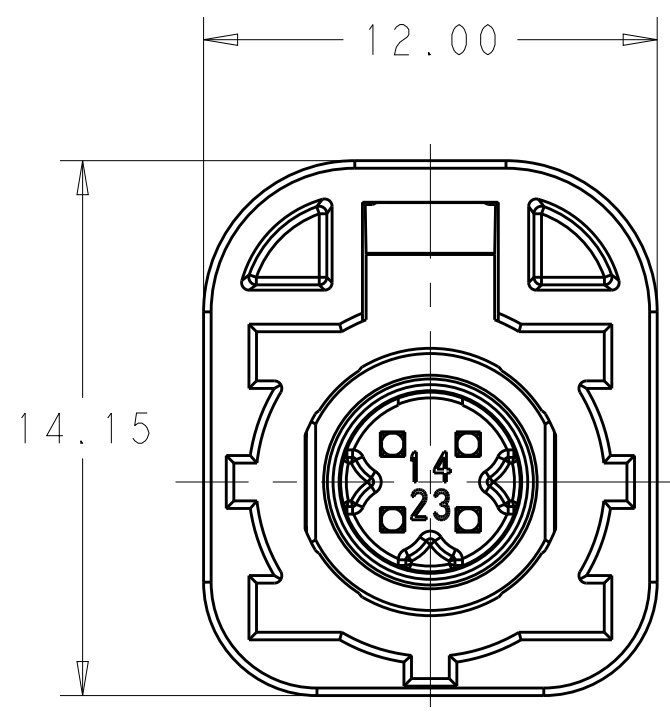
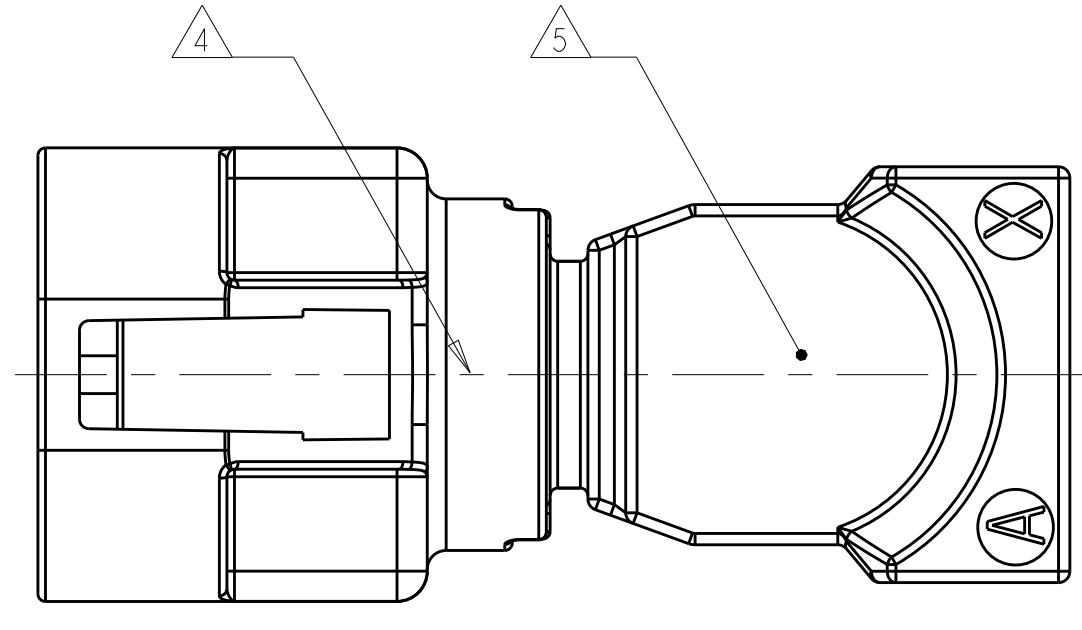


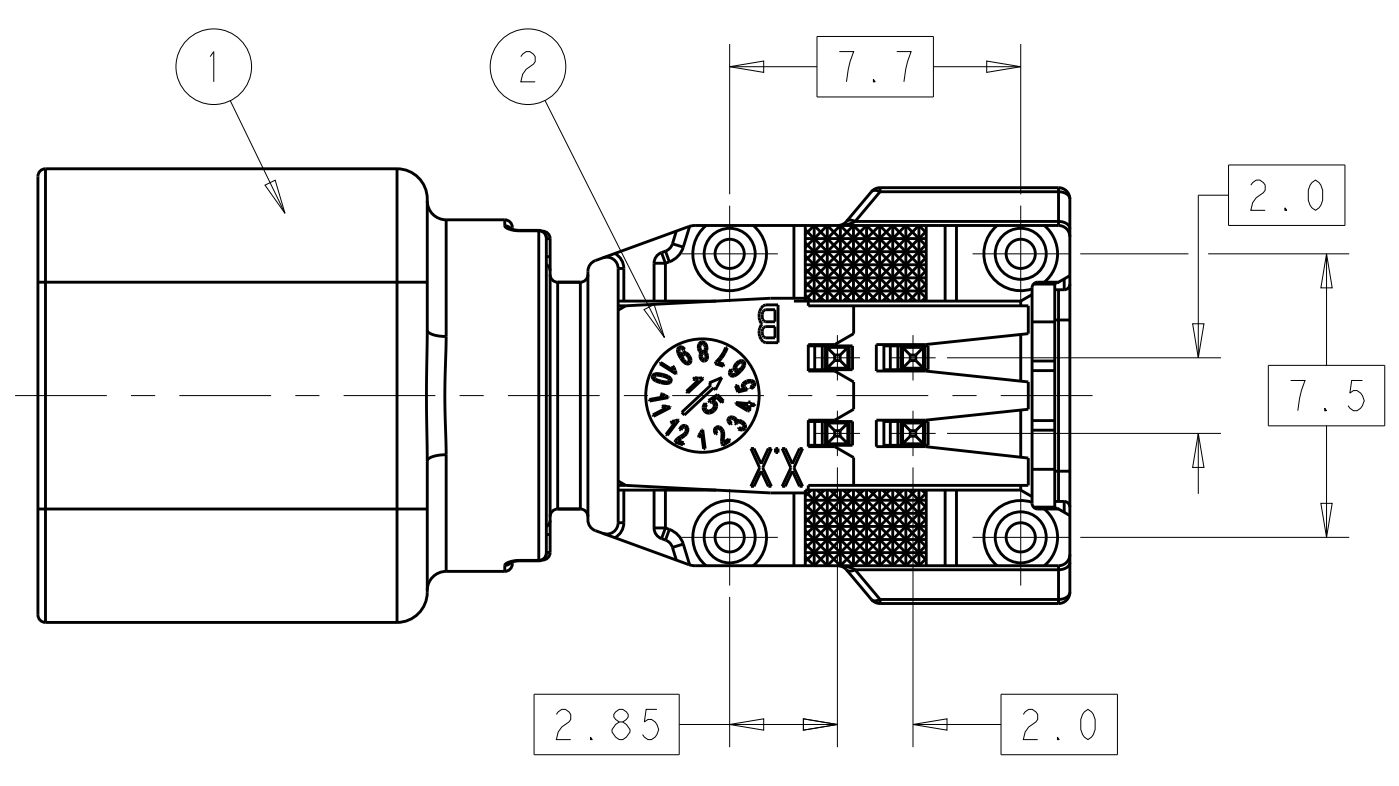
CODINGS						
CODE A	CODE B	CODE C	CODE D	CODE E	CODE F	CODE Z
CODE G	CODE H	CODE J	CODE K	CODE L	CODE M	CODE O



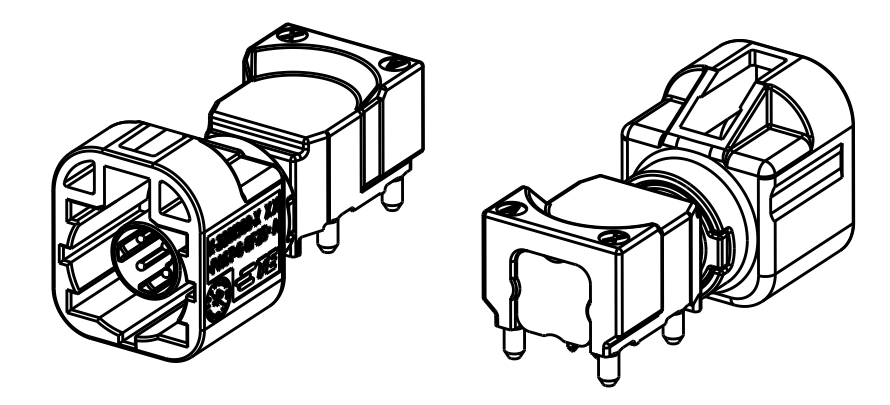
RECOMMENDED PCB LAYOUT



CODING O
SCALE 2:1



- 1 DETAILS OF DESIGN ARE LEFT TO TE CONNECTIVITY
- 2 HSD INTERFACE ACC. TO TE SPEC. 114-18950
- 3 PACKAGING: TAPE AND REEL
- 4 MARKING OF 100% TEST PASSED
- 5 AREA OF VACUUM GRIPPER
- 6 FITS WITH HSD CONNECTOR 90 DEG. TE PN X-2208145-X AND HSD CONTACT 90 DEG. TE PN 2236774-1...-3 OR HSD CONNECTOR 180 DEG. TE PN X-1823898-X AND HSD CONTACT 180 DEG. TE PN 2236772-1
- 7 CENTER OF GRAVITY
- 8 ALL DIMENSIONS IN BRACKETS () FOR INFORMATION ONLY



CODING Z
SCALE 2:1

WEIGHT [g]: 6.7
AS SHOWN CODING Z

QTY	CODE	DESCRIPTION	MATERIAL	FINISH COLOR, SIMILAR RAL	ITEM NO.										
1		SHIELDING CAP	BRASS	TIN PLATING 1µm MIN.	6										
1		SHIELDING BODY	Zn ALLOY	SOLDER SIDE: TIN PLATING 3µm MIN. INTERFACE SIDE(OUTER CONTACT): NICKEL PLATING 3µm MIN.	5										
2		CONTACT PIN (LONG)	CuSn4	SOLDER SIDE: TIN PLATING 3µm MIN. INTERFACE SIDE: GOLD PLATING 0.8µm MIN.	4										
2		CONTACT PIN (SHORT)			3										
1		CAVITY BLOCK	PA4T-GF30	BLACK	2										
		CODING COVER	PA6T/6-GF25	LIGHT GREEN / 6027	1										
				PASTEL ORANGE / 2003											
				YELLOW GREEN / 6048											
				CURRY / 1027											
				BEIGE / 1001											
				HEATHER VIOLET / 4003											
				BLUISH GREY / 7031											
				WATER BULE / 5021											
				NUT BROWN / 8011											
				LEAF GREEN / 6002											
				CLARET VIOLET / 4004											
				SIGNAL BLUE / 5005											
				CREAM WHITE / 9001											
		JET BLACK / 9005													
QUANTITY		CODE	DESCRIPTION	MATERIAL	FINISH COLOR, SIMILAR RAL	ITEM NO.									
2-1	2-2	2-3	2-4	2-5	2-6	2-9	3-1	3-2	3-3	3-4	3-5	3-6	3-9	ASSY NO. X-2291362-Y (PRELIMINARY)	
A	B	C	D	E	F	Z	G	H	J	K	L	M	O	ASSY CODE	
B	B	B	B	B	B	B	B	B	B	B	B	B	B	REVISION	

QTY	CODE	DESCRIPTION	MATERIAL	FINISH COLOR, SIMILAR RAL	ITEM NO.										
1		SHIELDING CAP	BRASS	TIN PLATING 1µm MIN.	6										
1		SHIELDING BODY	Zn ALLOY	SOLDER SIDE: TIN PLATING 3µm MIN. INTERFACE SIDE(OUTER CONTACT): TIN PLATING 3µm MIN.	5										
2		CONTACT PIN (LONG)	CuSn4	SOLDER SIDE: TIN PLATING 3µm MIN. INTERFACE SIDE: GOLD PLATING 0.8µm MIN.	4										
2		CONTACT PIN (SHORT)			3										
1		CAVITY BLOCK	PA4T-GF30	BLACK	2										
		CODING COVER	PA6T/6-GF25	LIGHT GREEN / 6027	1										
				PASTEL ORANGE / 2003											
				YELLOW GREEN / 6048											
				CURRY / 1027											
				BEIGE / 1001											
				HEATHER VIOLET / 4003											
				BLUISH GREY / 7031											
				WATER BULE / 5021											
				NUT BROWN / 8011											
				LEAF GREEN / 6002											
				CLARET VIOLET / 4004											
				SIGNAL BLUE / 5005											
				CREAM WHITE / 9001											
		JET BLACK / 9005													
QUANTITY		CODE	DESCRIPTION	MATERIAL	FINISH COLOR, SIMILAR RAL	ITEM NO.									
0-1	0-2	0-3	0-4	0-5	0-6	0-9	1-1	1-2	1-3	1-4	1-5	1-6	1-9	ASSY NO. X-2291362-Y	
A	B	C	D	E	F	Z	G	H	J	K	L	M	O	ASSY CODE	
B	B	B	B	B	B	B	B	B	B	B	B	B	B	REVISION	

THIS DRAWING IS A CONTROLLED DOCUMENT.

OWN: F.PAN	01APR2015	TE Connectivity HSD Header 90deg
CHK: F.PAN	01APR2015	
APP: P. MULL	01APR2015	
NAME: PRODUCT SPEC	108-101388	
DIMENSIONS: mm	TOLERANCES UNLESS OTHERWISE SPECIFIED:	SIZE: A1
0 PLC ±0.5	1 PLC ±0.5	SCALE: 5:1
2 PLC ±0.5	3 PLC ±0.5	SHEET: 1 of 1
4 PLC ±0.5	ANGLES ±0.5	REV: C
MATERIAL: -	FINISH: -	Customer Drawing

X-ON Electronics

Largest Supplier of Electrical and Electronic Components

Click to view similar products for [Standard Circular Connector](#) category:

Click to view products by [TE Connectivity](#) manufacturer:

Other Similar products are found below :

[6134-336-13149](#) [6134-337-11149](#) [6134-337-2390](#) [6134-341-17149](#) [6280-7SG-3DC](#) [6282-2SG-315](#) [67-02E12-60PX](#) [680-SMG](#)
[CXS3102A181S](#) [D38999/20FC8SA L/C](#) [7251-5SG-300](#) [7282-3PG-300-CH3](#) [75-190216-08S](#) [75-190218-10P](#) [75-474118-10P](#) [75-474218-19S](#)
[75-474618-04P](#) [75-474618-04S](#) [80-190222-18P](#) [805-005-07NF11-19PC](#) [805-005-07NF15-7PA](#) [8280-4PG-516](#) [8280-7PG-519](#) [836783-1](#)
[862256-1](#) [866857-1](#) [867865-1](#) [120-1833-000](#) [QCM019PC2DC012B](#) [121583-0217](#) [121667-0020](#) [RD10A16-19-P6CS051/1](#) [RD16A14-12-](#)
[S6CS051/2](#) [1301240347](#) [1301790476](#) [1301240268](#) [1301240275](#) [1301860183](#) [1301860906](#) [1302261559](#) [DCU-08BFEA-LL7001](#) [RM15WTP-](#)
[CP\(5\)\(71\)](#) [14381-10SG-300](#) [14482](#) [14281-20PG-300](#) [16283-18](#) [18280-3SG-315](#) [1877910-1](#) [206039-3](#) [206323-1](#)