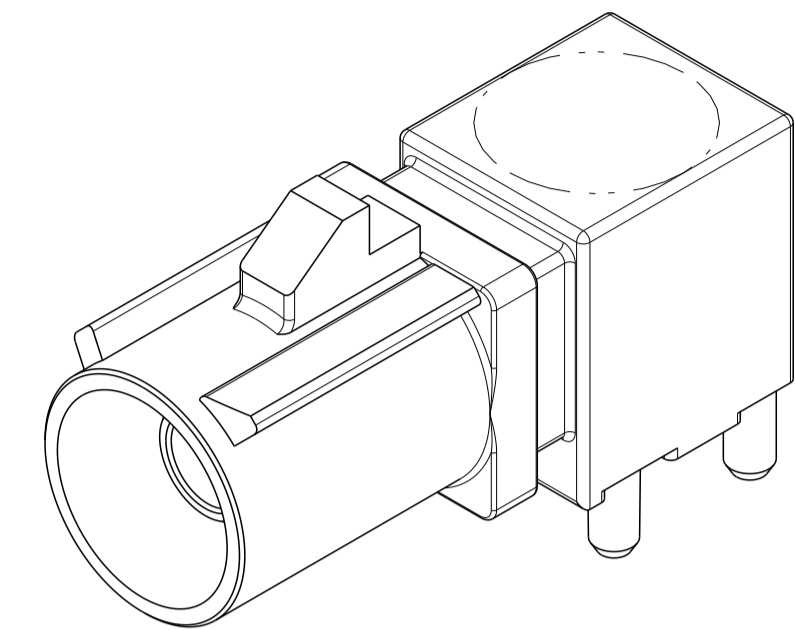
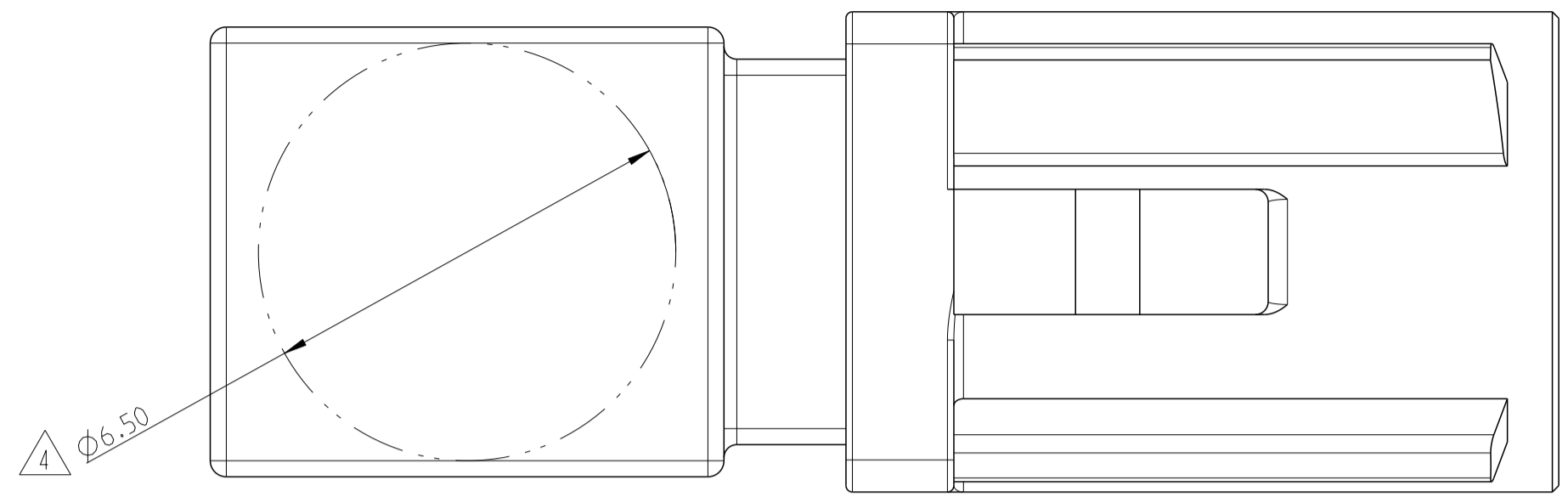
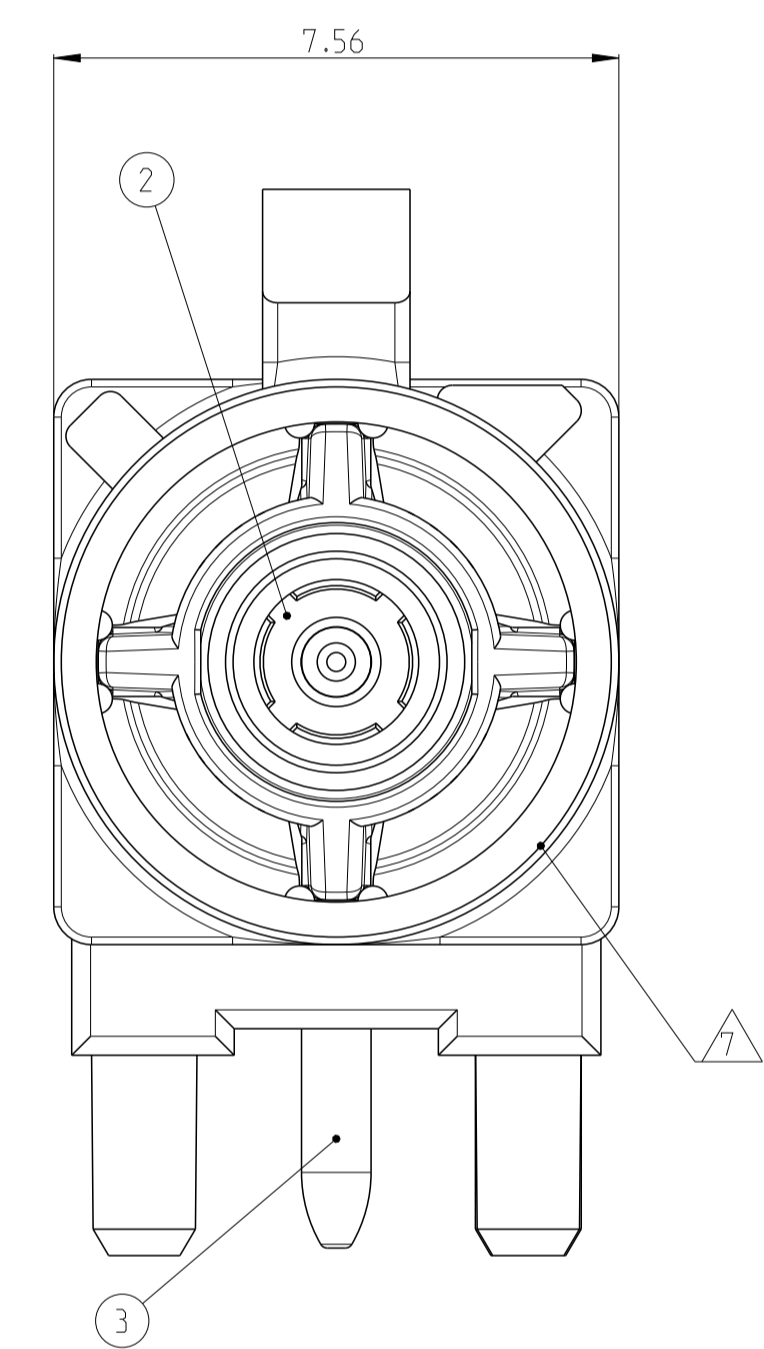
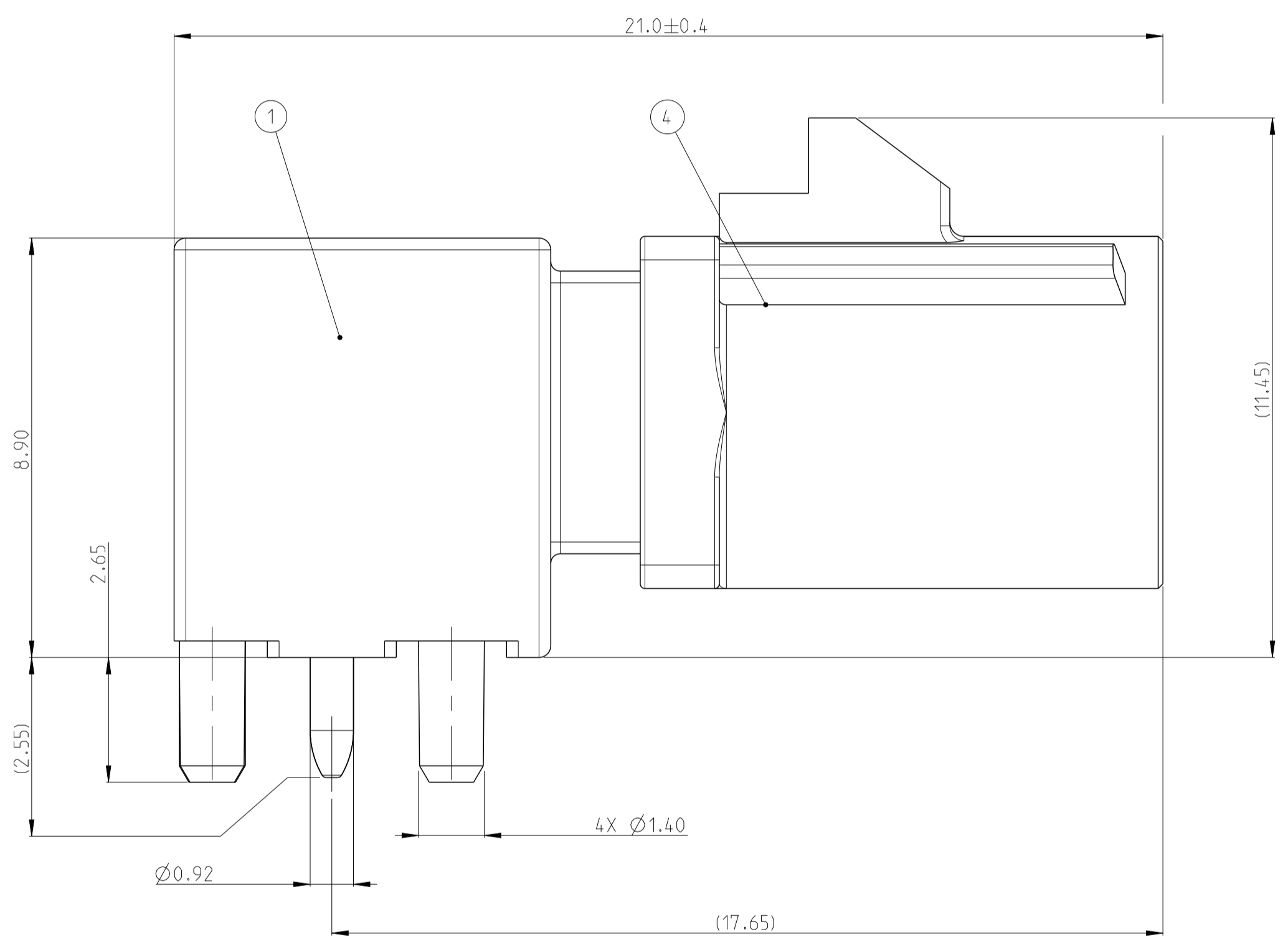


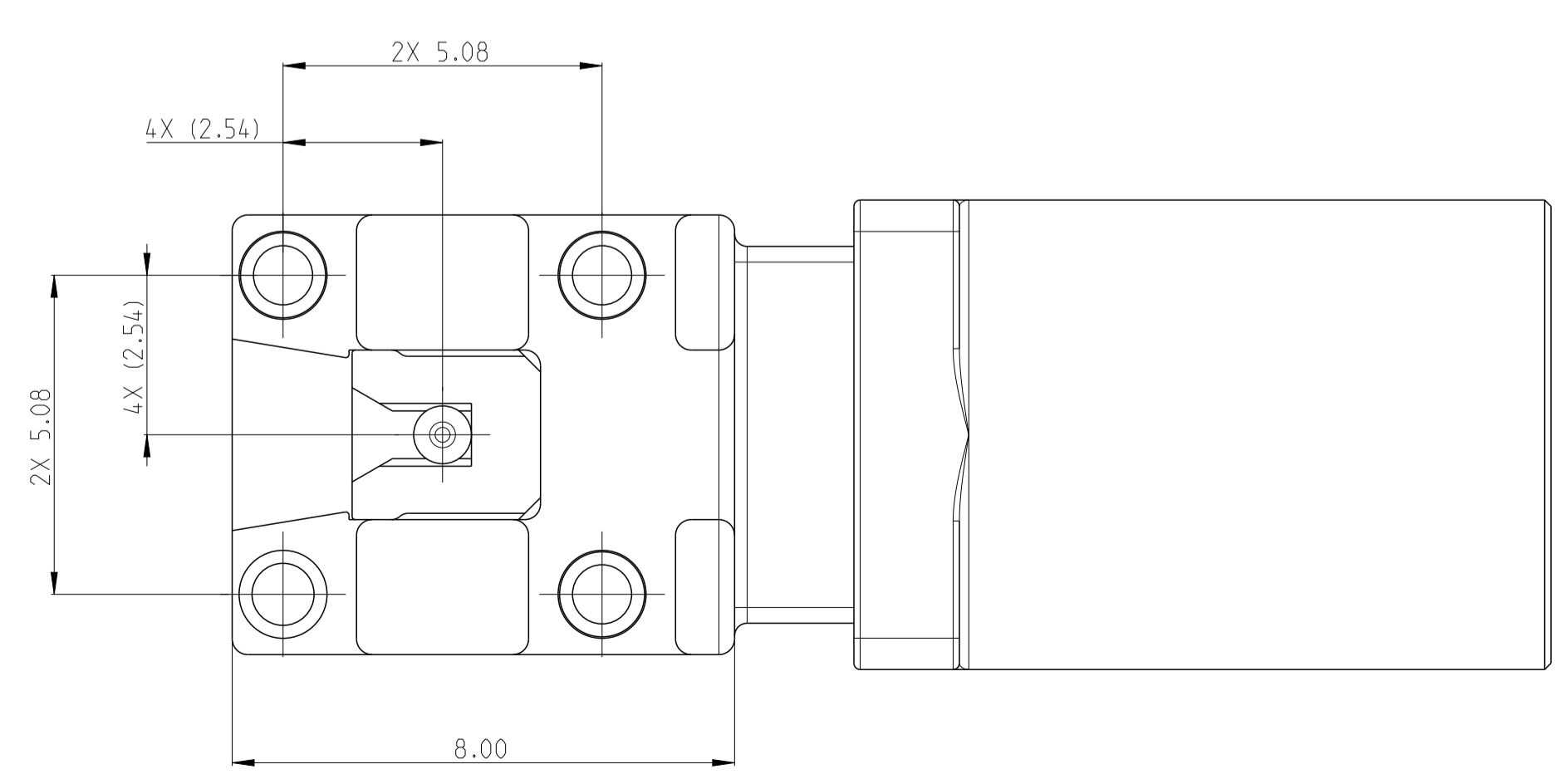
REVISIONS				
P	LTN	DESCRIPTION	DATE	OWN APVD
A		INITIAL RELEASE	28MAR16	D.Z I.Y
B		REV PER ECR-19-013955	09SEP19	D.Z W.W



SCALE 5:1



- 1 NOSE CONE - NYLON. COLOR: SEE TABLE. 25% GLASS FILLED.
DIELECTRIC - POLYESTER PCT. NATURAL. 30% GLASS FILLED.
PIN CONTACT - BRASS.
OUTER SHELL - ZINC.
 - 2 PIN CONTACT - 0.38 µm MIN GOLD ON INTERFACE END.
2.5 µm MIN TIN ON SOLDER END.
BOTH OVER 1.3 µm MIN NICKEL.
OUTER SHELL - 2.0 µm MIN TIN OVER 1.52 µm MIN NICKEL.
BOTH OVER 2.54 µm MAX COPPER.
 - 3 MASS = 3.94g (REFERENCE)
 - 4 VACUUM PICKUP AREA.
 - 5 MINIMUM RECOMMENDED GROUND PLANE.
 - 6 SIGNAL DIMENSION TRACE RECOMMENDED FOR OPTIMUM SIGNAL PERFORMANCE.
 - 7 MALE INTERFACE PER ISO-20860-1. ROAD VEHICLES 50 Ohm RADIO FREQUENCY INTERFACE.
- 8 PACKAGING: TAPE AND REEL.



PER DETAIL Z	WATER BLUE	MATERIAL BRASS	MATERIAL PCT	MATERIAL ZINC ALLOY	Z	2-2291392-0
PER DETAIL N	PASTEL GREEN				N	1-2291392-3
PER DETAIL M	PASTEL ORANGE				M	1-2291392-2
PER DETAIL L	CARMINE RED				L	1-2291392-1
PER DETAIL K	CURRY				K	1-2291392-0
PER DETAIL I	BEIGE				I	2291392-9
PER DETAIL H	HEATHER VIOLET				H	2291392-8
PER DETAIL G	BLUE GREY				G	2291392-7
PER DETAIL F	NUT BROWN				F	2291392-6
PER DETAIL E	LEAF GREEN				E	2291392-5
PER DETAIL D	CLARET VIOLET				D	2291392-4
PER DETAIL C	SIGNAL BLUE				C	2291392-3
PER DETAIL B	CREAM				B	2291392-2
PER DETAIL A	JET BLACK				A	2291392-1
CODING DETAIL	4 NOSE CONE COLOR	3 CENTER PIN	2 DIELECTRIC	1 DIE CASTING	CODING REF	PART NUMBER

THIS DRAWING IS A CONTROLLED DOCUMENT. DWN: ERIC R LOVE 08MAY2015
 CHK: ERIC R LOVE 08MAY2015
 APVD: ERIC R LOVE 08MAY2015

STE TE Connectivity

NAME: MALE ASSEMBLY, STANDOFF
 1 POSITION, PCB, FAKRA

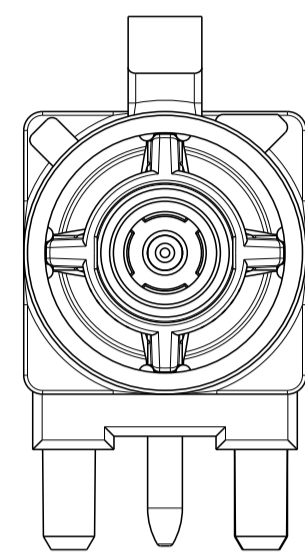
PRODUCT SPEC: 108-32058
 APPLICATION SPEC: -

SIZE: A1 CAGE CODE: 00779 DRAWING NO: C=2291392
 WEIGHT: -
 MATERIAL: -
 FINISH: -

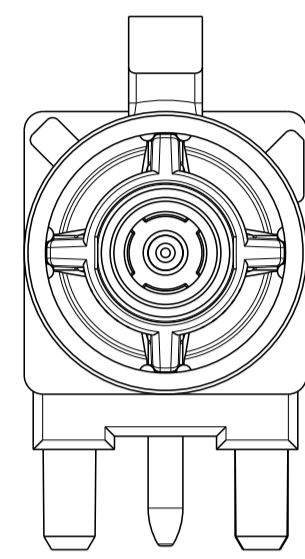
CUSTOMER DRAWING SCALE: 10:1 SHEET 1 OF 2 REV B

REVISIONS				
P.	LTN	DESCRIPTION	DATE	APVD
-	-	SEE SHEET 1	-	-

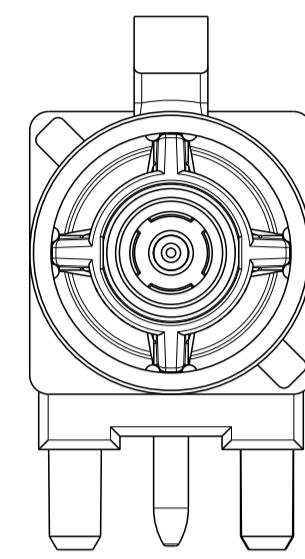
CODINGS



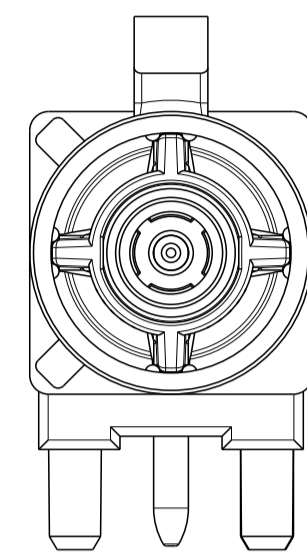
DETAIL A
SCALE 5:1



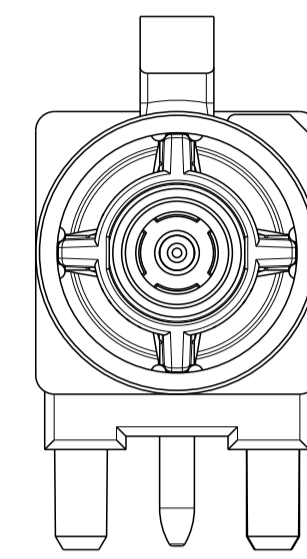
DETAIL B
SCALE 5:1



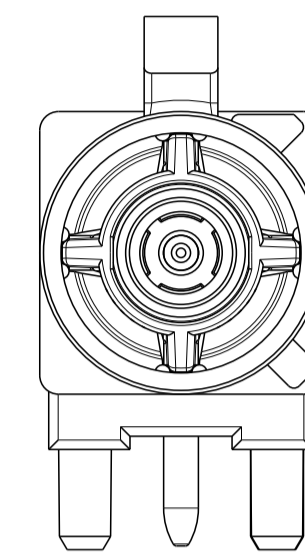
DETAIL C
SCALE 5:1



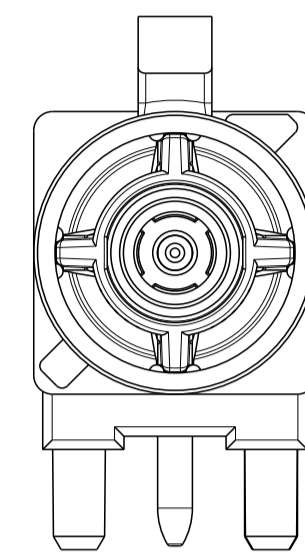
DETAIL D
SCALE 5:1



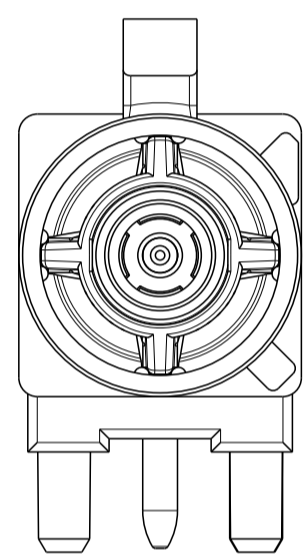
DETAIL E
SCALE 5:1



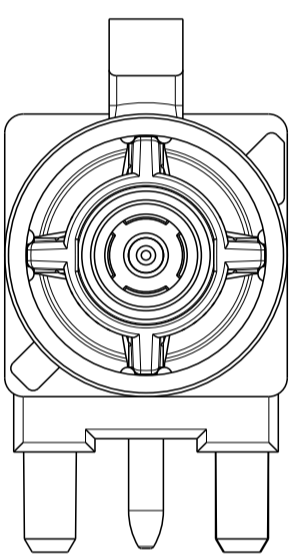
DETAIL F
SCALE 5:1



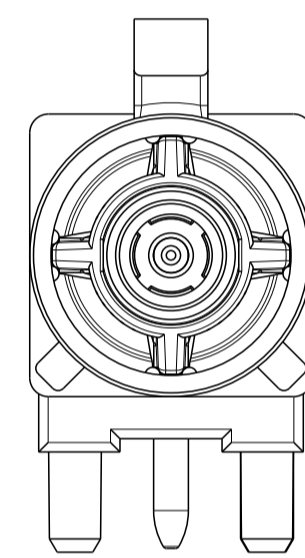
DETAIL G
SCALE 5:1



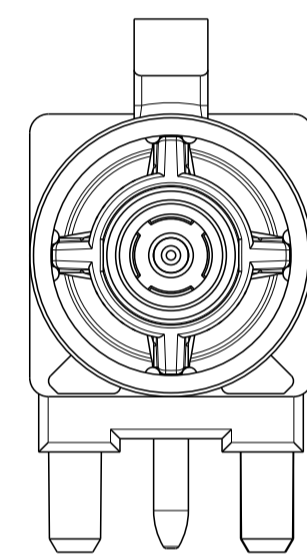
DETAIL H
SCALE 5:1



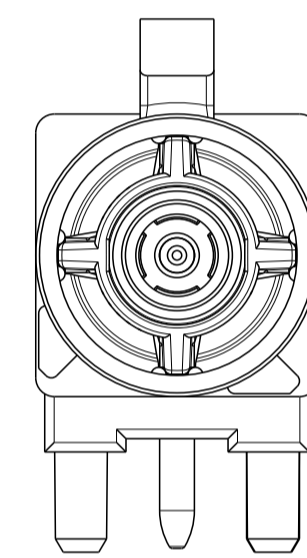
DETAIL I
SCALE 5:1



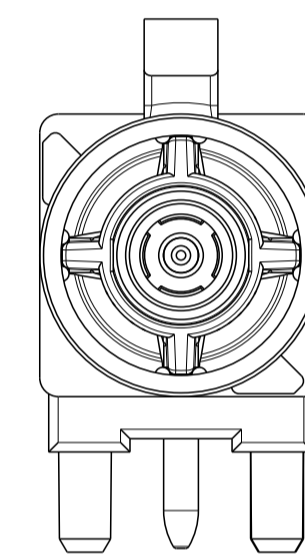
DETAIL K
SCALE 5:1



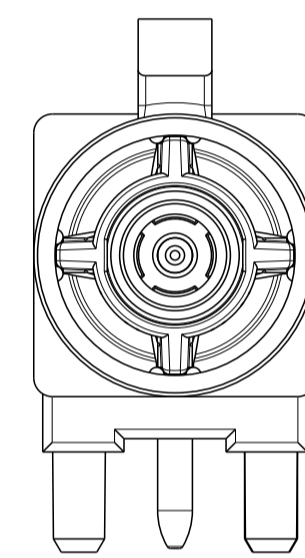
DETAIL L
SCALE 5:1



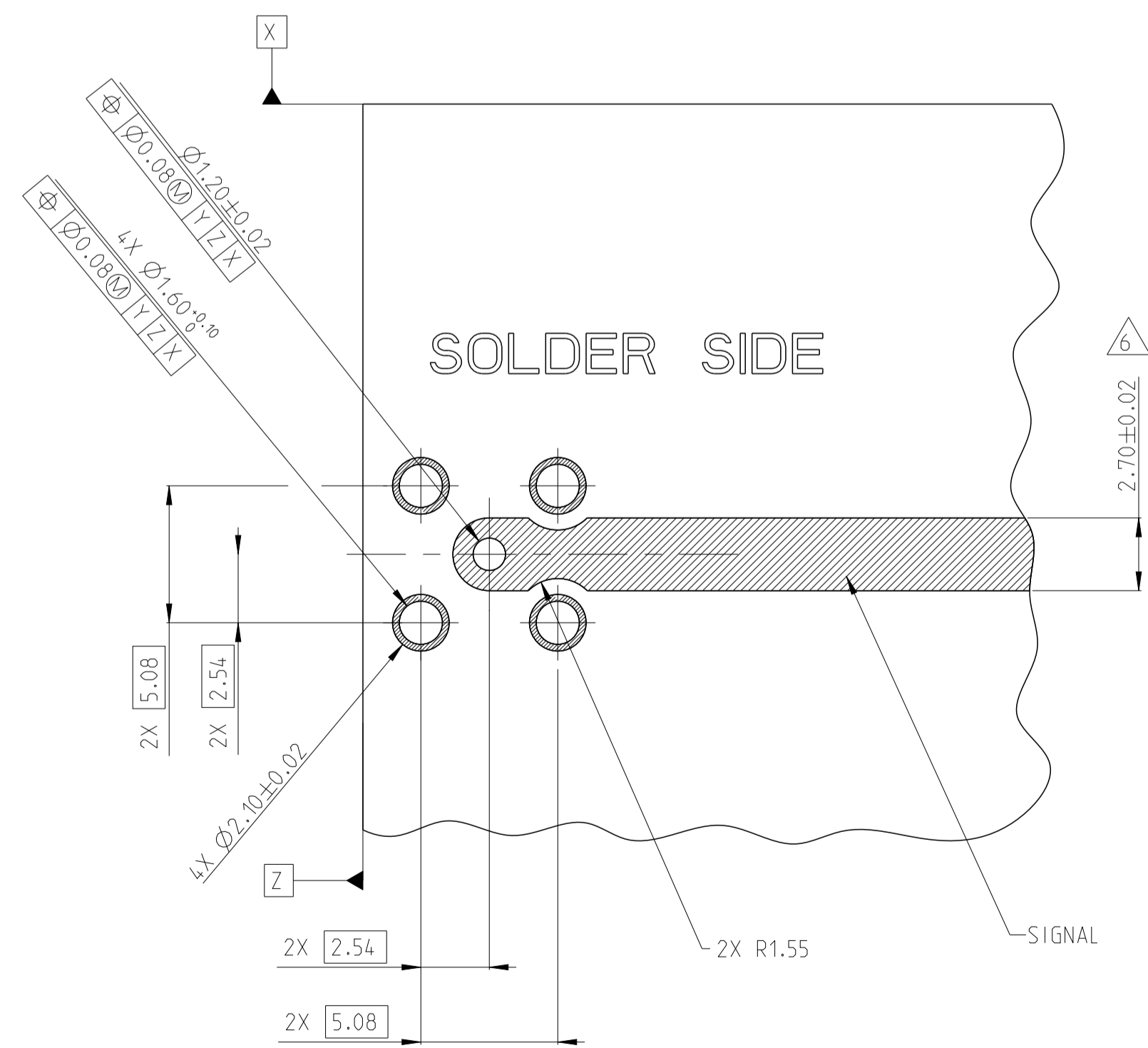
DETAIL M
SCALE 5:1



DETAIL N
SCALE 5:1



DETAIL Z
SCALE 5:1



SCALE 5:1

DETAIL A
SCALE 40:1

△ MATERIAL DIELECTRIC CONSTANT; FR4 = 4.51

THIS DRAWING IS A CONTROLLED DOCUMENT.		DMN: ERIC R LOVE 08MAY2015	TE Connectivity
DIMENSIONS: mm		CHK: ERIC R LOVE 08MAY2015	
TOLERANCES UNLESS OTHERWISE SPECIFIED:		APVD: ERIC R LOVE 08MAY2015	NAME: MALE ASSEMBLY, STANDOFF 1 POSITION, PCB, FAKRA
0 PLC	±	PRODUCT SPEC	SIZE: A1
1 PLC	±0.3	APPLICATION SPEC	CAGE CODE: 00779
2 PLC	±0.20	WEIGHT	DRAWING NO: C=2291392
3 PLC	±	CUSTOMER DRAWING	SCALE: 6:1
4 PLC	±		SHEET: 2 OF 2
ANGLES	±		REV: B

X-ON Electronics

Largest Supplier of Electrical and Electronic Components

Click to view similar products for [Automotive Connectors](#) category:

Click to view products by [TE Connectivity](#) manufacturer:

Other Similar products are found below :

[003-018-000](#) [60403001](#) [60993906-B](#) [M902-2131](#) [M902-2161](#) [M902-2344](#) [72.330.1035.1](#) [73.353.4028.0](#) [F119300-B](#) [F166900](#) [F258300-B](#)
[F358300-B](#) [F407400](#) [F444110](#) [F487000](#) [F509500B-B](#) [827153-1](#) [8N1515-32-24P](#) [9-1326729-8](#) [925474-1](#) [928905-1](#) [964562-4](#) [968782-1](#)
[GT17SA-8DS-HU](#) [98891-1012](#) [98947-1016](#) [12004147](#) [12004475-L](#) [12010290](#) [12010309-B](#) [12015454](#) [12020219-B](#) [12041318-B](#) [12052225-](#)
[L](#) [12052466](#) [12064869](#) [12004327-B](#) [12015308](#) [12015384](#) [12015909](#) [1-21030-1](#) [12041254](#) [12041318](#) [12047946-B](#) [12047957](#) [12047957-L](#)
[12059473](#) [12066261](#) [12110546](#) [12110546-B](#)