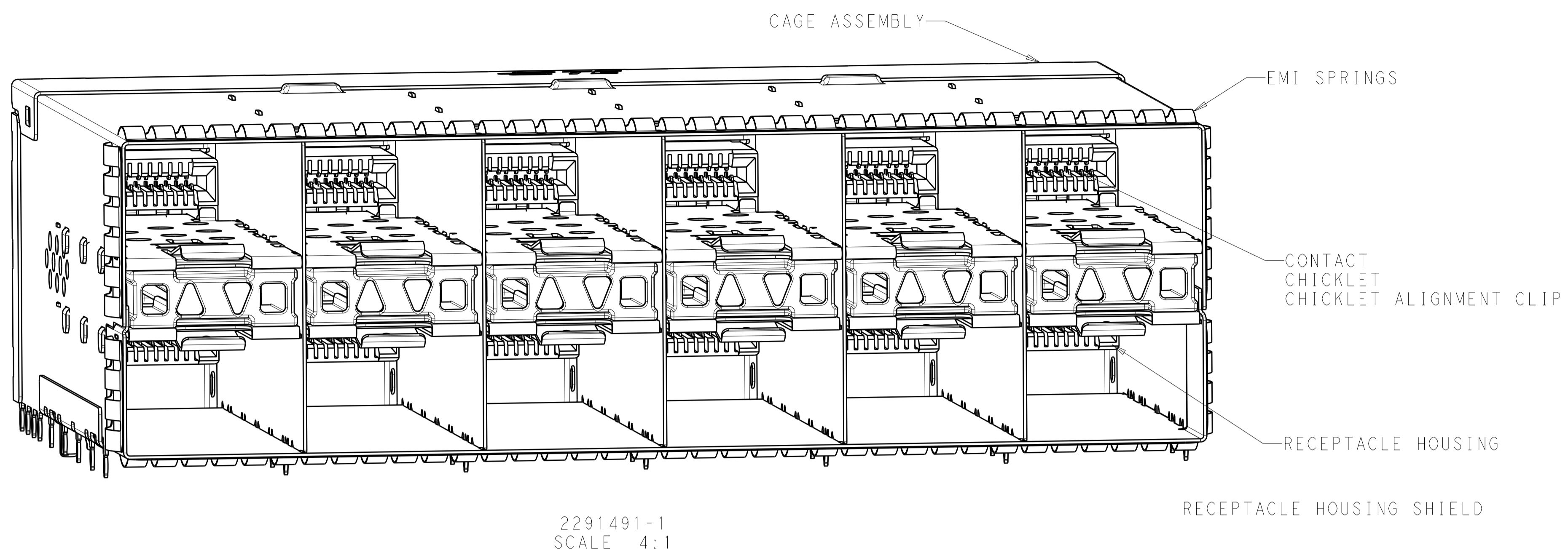
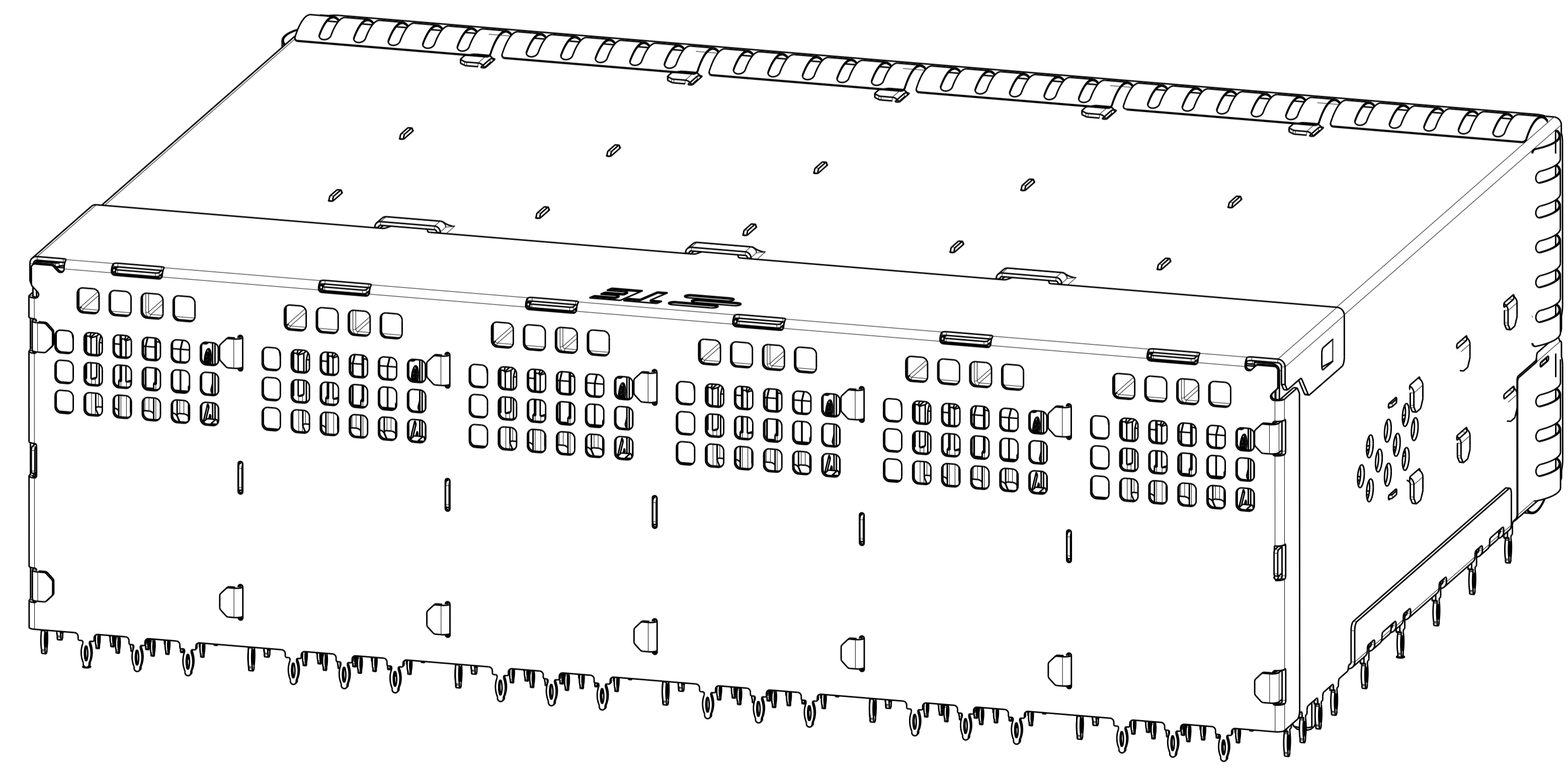


LOC	DIST	REVISIONS			
P	LTN	DESCRIPTION	DATE	DWN	APVD
1		INITIAL RELEASE	16MAR2015	BMM	PAR
A		REVISED PER ECO-15-010819	10AUG2015	PP	SH



- MATERIALS:
 CAGE ASSEMBLY - NICKEL-SILVER ALLOY PER ASTM B 122
 CONNECTOR HOUSING - LCP, BLACK, UL 94V-0 RATED
 CONNECTOR HOUSING SHIELD - COPPER ALLOY
 CHICKLET - LCP, BLACK, UL 94V-0 RATED
 CHICKLET ALIGNMENT CLIP - PBT
 CONTACT - COPPER ALLOY
 EMI SPRINGS - PHOSPHOR BRONZE PER ASTM B 103,
 0.8µm MIN TIN PER ASTM B 545
 LIGHT PIPE - POLYCARBONATE
 LIGHT PIPE HOUSING - ZINC ALLOY
 - CONTACT FINISH:
 0.76µm MIN GOLD PER ASTM B 844 AT MATING INTERFACE,
 1.25µm MIN MATTE TIN PER ASTM B 545 AT PCB INTERFACE,
 ALL OVER 2.54µm MIN NICKEL PER QQ-N-290.
 - PCB MINIMUM THICKNESS = 1.5mm
- ⚠ FOR HOLE SIZE AND PLATINGS,
SEE APPLICATION SPECIFICATION 114-13319
- ⚠ LIGHT PIPE PAD LAYOUT IS FOR 0805 LOW PROFILE
LED PACKAGE WITH A HEIGHT OF 0.8mm
- ⚠ THE ENTIRE AREA OF THE CONNECTOR FOOTPRINT, INDICATED BY THE
DASHED LINE, TO BE CONSIDERED THE KEEPOUT AREA FOR COMPONENTS
AND SIGNAL TRACES, TOP SIDE ONLY, TOP SIDE TRACES ALLOWED
WITHIN CONNECTOR HOLE PATTERN

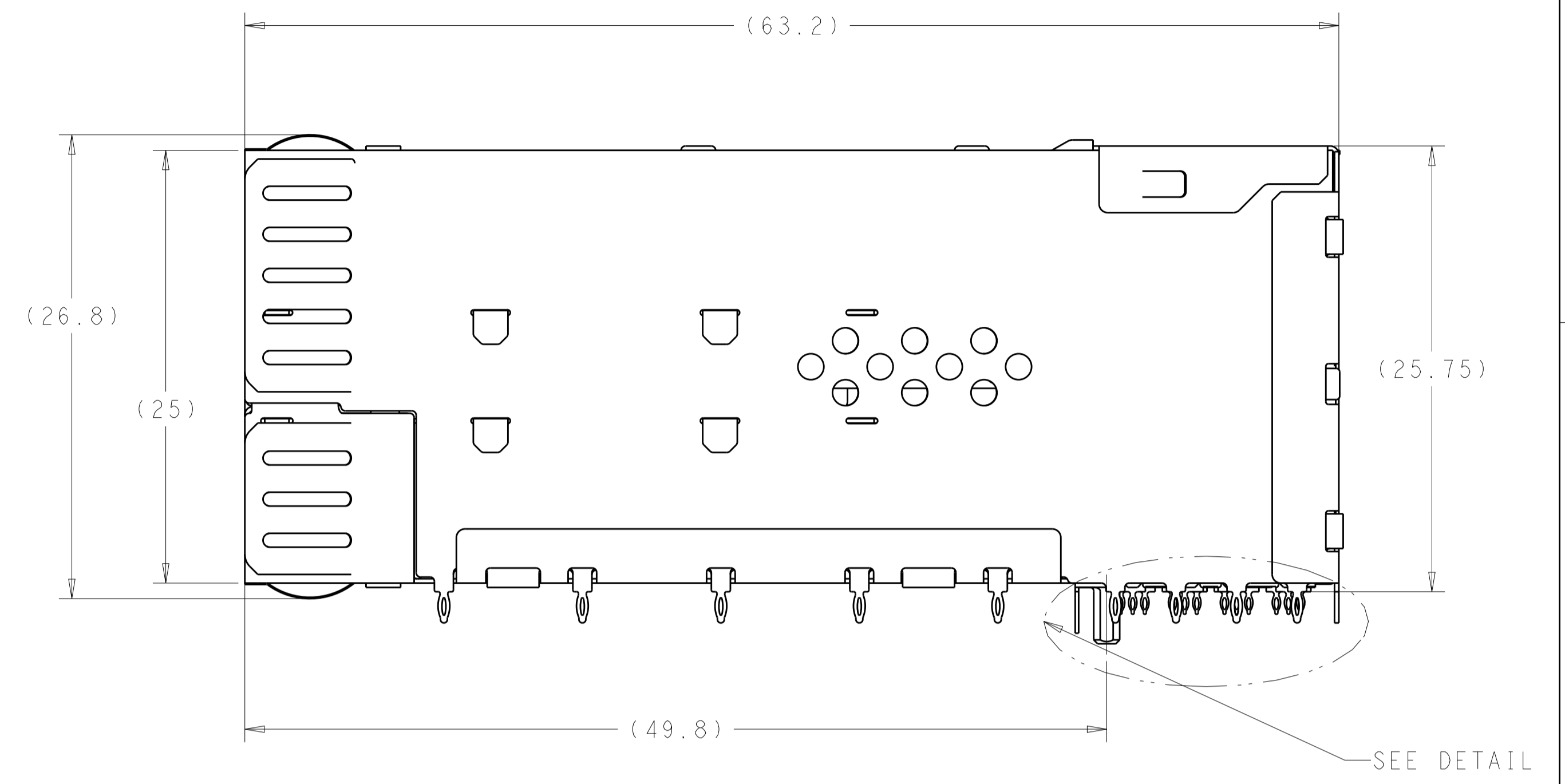
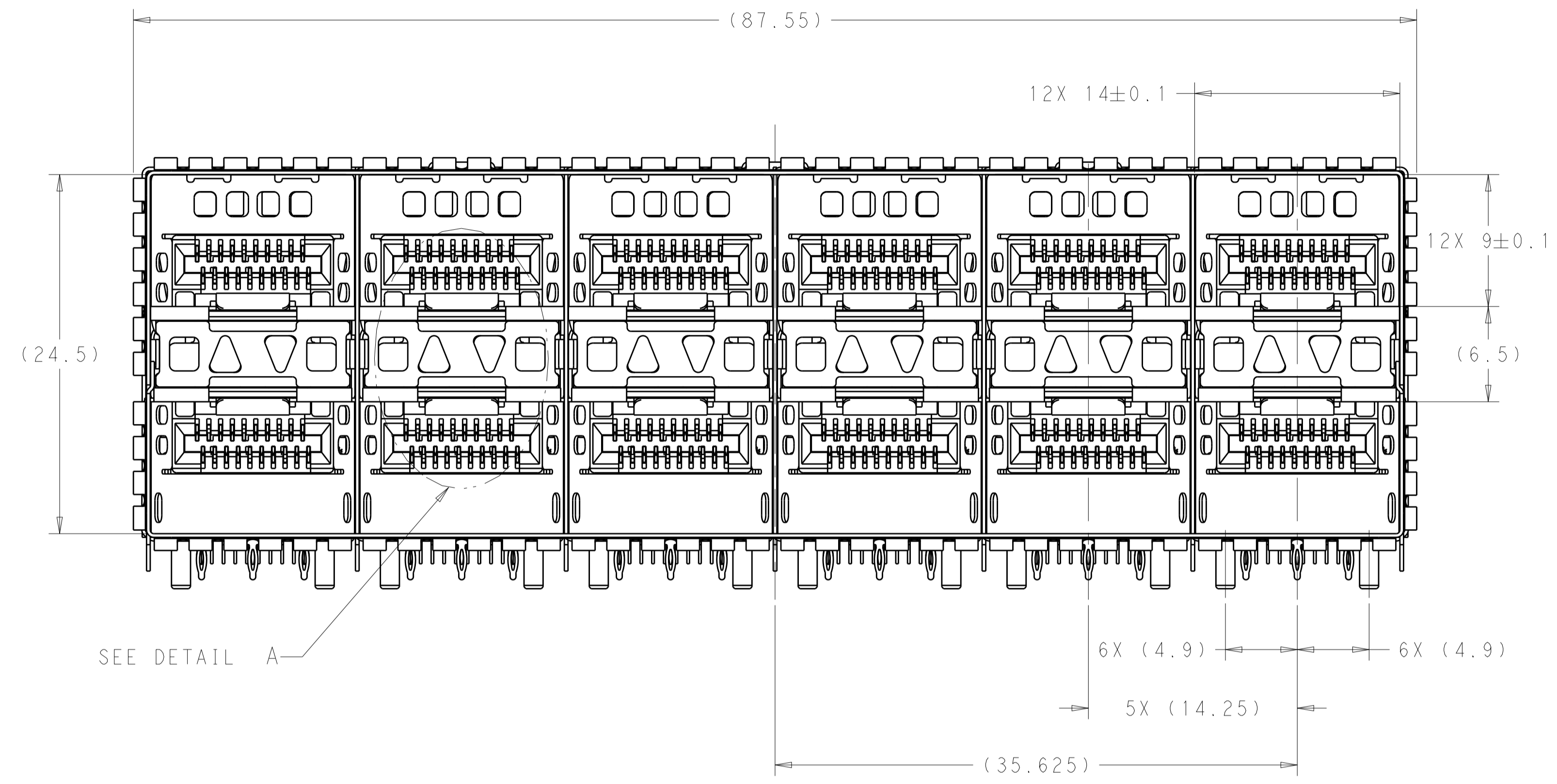


2291491-1
PART NUMBER

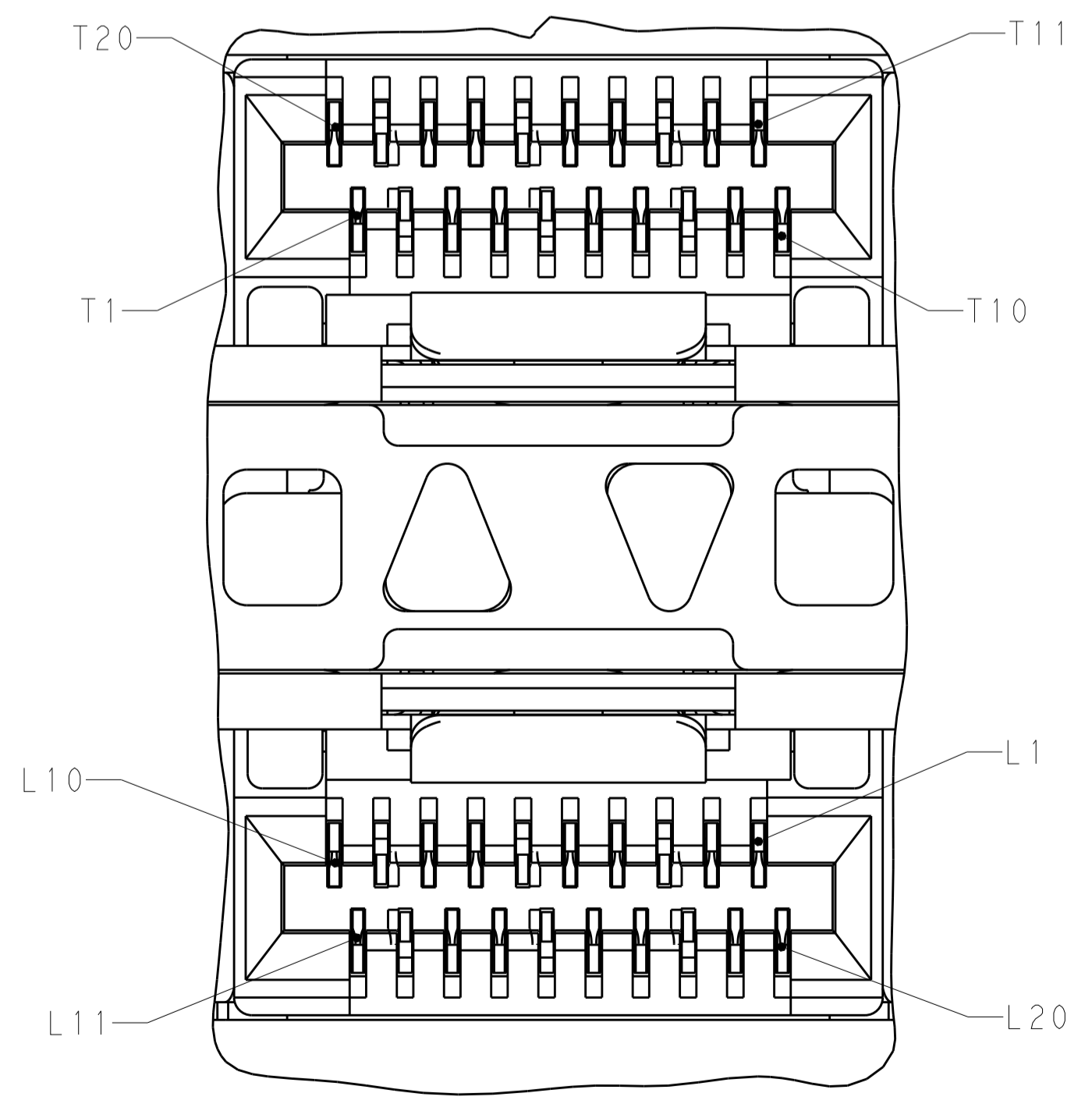
DESIGN APPROVED THIS PRINT IS
PRELIMINARY
TO FIRST PIECE APPROVAL
CONTACT PRODUCT ENGINEERING
BEFORE USING THIS PRINT

THIS DRAWING IS A CONTROLLED DOCUMENT.		DWN B. MATTHEWS 16MAR2015	STE TE Connectivity	
DIMENSIONS: mm		CHK P. RECCE 16MAR2015	NAME RECEPTACLE ASSEMBLY, 2X6, STACKED, 2SFP+ THERMAL	
TOLERANCES UNLESS OTHERWISE SPECIFIED:		APVD P. RECCE 16MAR2015	SIZE A100779C=2291491	
0 PLC ± 1 PLC ± 2 PLC ± 3 PLC ± 4 PLC ± ANGLES ±		PRODUCT SPEC 108-2481	RESTRICTED TO	
MATERIAL SEE NOTES		APPLICATION SPEC 114-13319	SCALE 1:1 SHEET 1 OF 4 REV A	
FINISH SEE NOTES		WEIGHT	Customer Drawing	

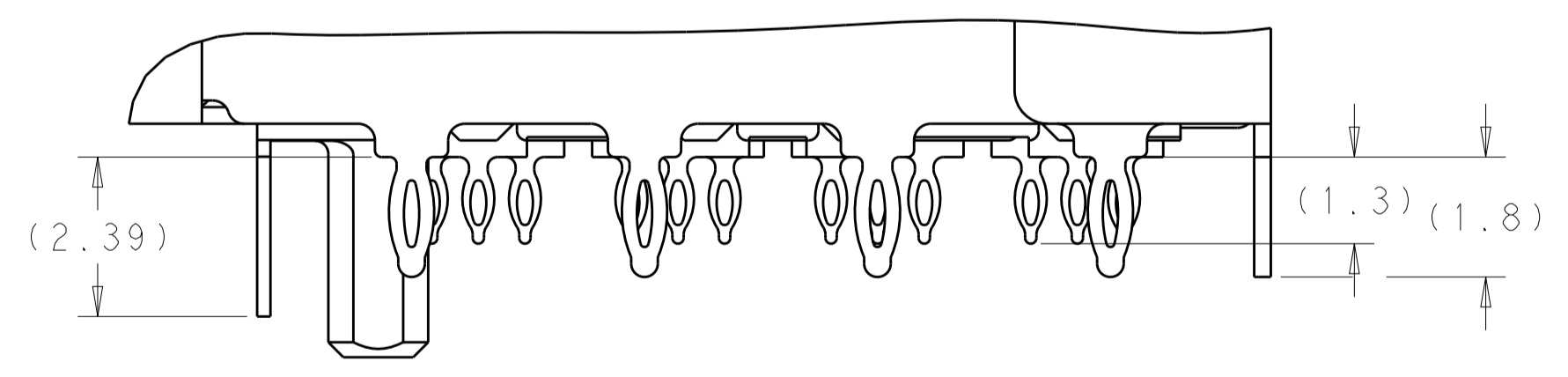
LOC	DIST	REVISIONS					
GP	00	P	LTN	DESCRIPTION	DATE	DMN	APVD
		-		SEE SHEET 1	-	-	-



SCALE 4:1



DETAIL A
 6X INDIVIDUALLY
 SCALE 10:1

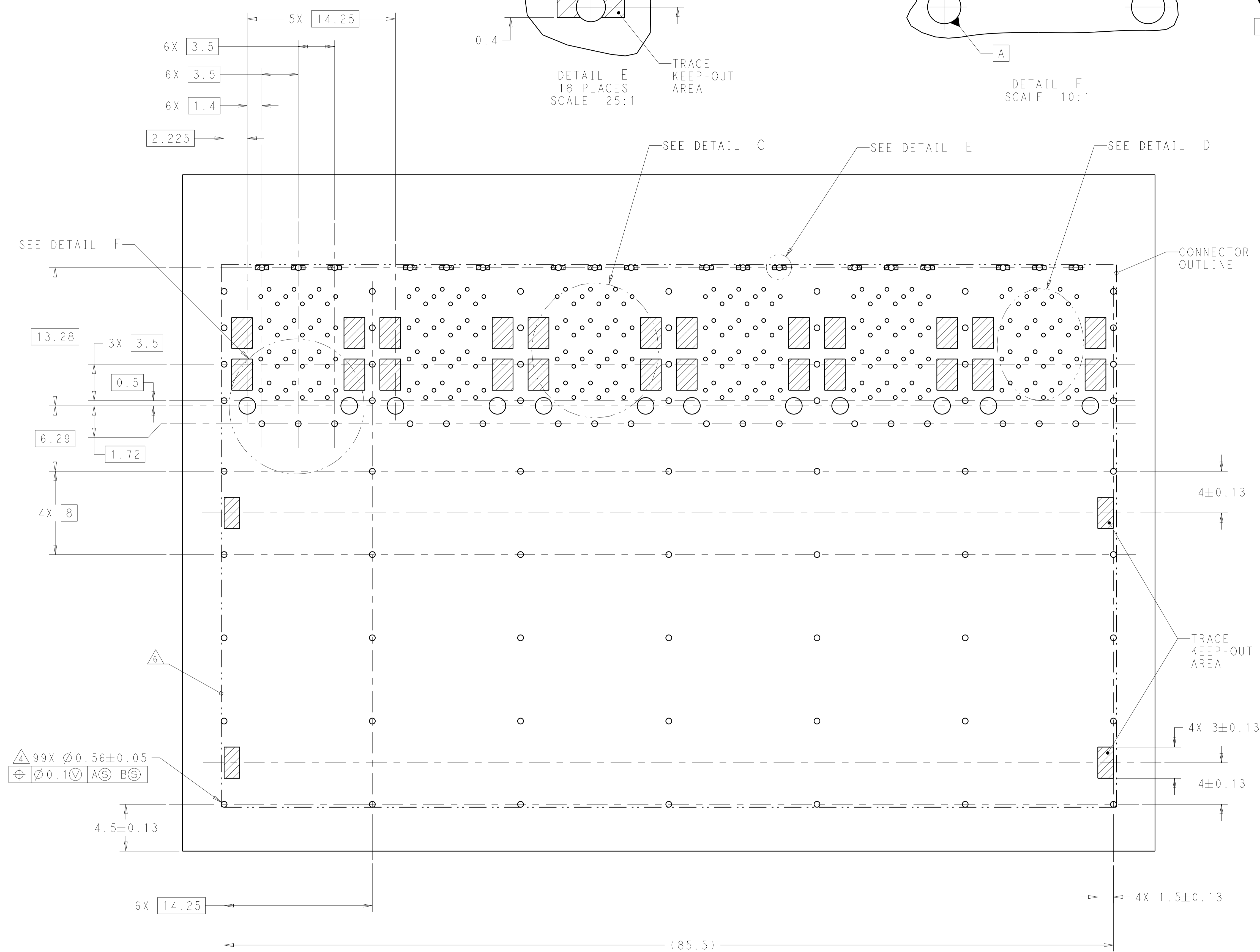
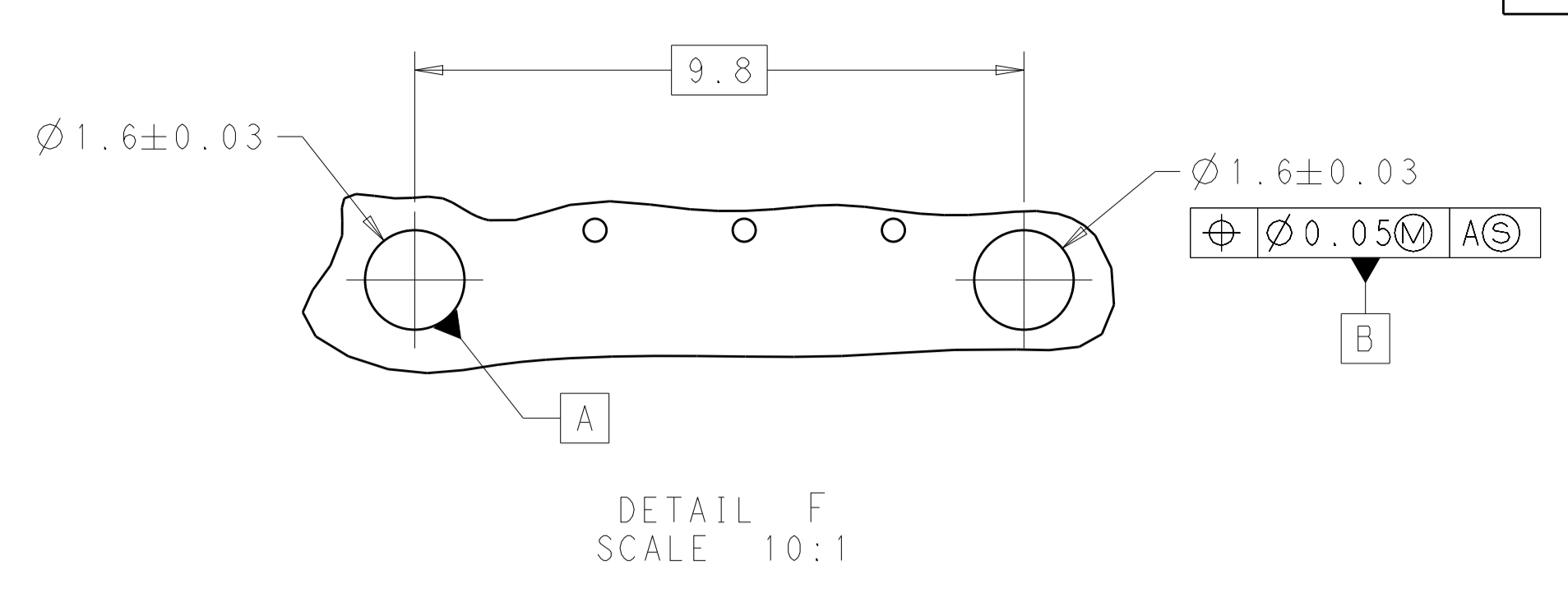
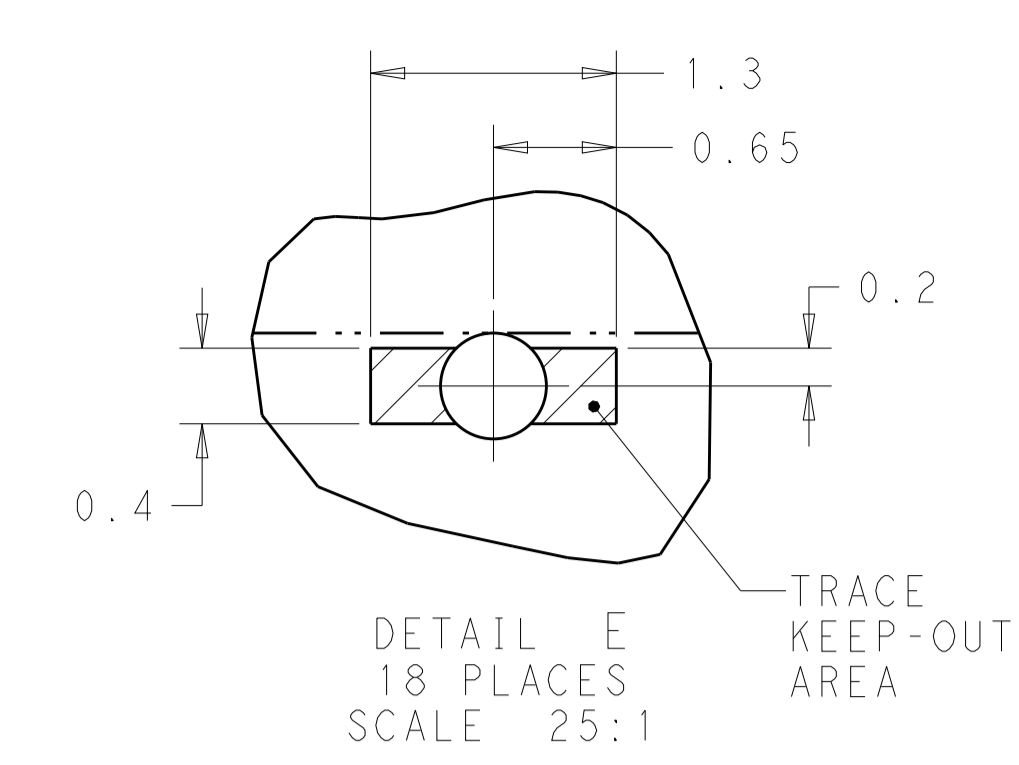


DETAIL B
 SCALE 10:1

DESIGN APPROVED THIS PRINT IS
PRELIMINARY
 TO FIRST PIECE APPROVAL
 CONTACT PRODUCT ENGINEERING
 BEFORE USING THIS PRINT

THIS DRAWING IS A CONTROLLED DOCUMENT.		OWN: B. MATTHEWS 16MAR2015	TE Connectivity
DIMENSIONS: mm		CHK: P. RECCE 16MAR2015	
TOLERANCES UNLESS OTHERWISE SPECIFIED:		APVD: P. RECCE 16MAR2015	NAME: RECEPTACLE ASSEMBLY, 2X6, STACKED, 2SFP+ THERMAL
0 PLC ±	1 PLC ±	PRODUCT SPEC	SIZE: A1
2 PLC ±	3 PLC ±	108-2481	CAGE CODE: 2291491
4 PLC ±	ANGLES ±	APPLICATION SPEC	RESTRICTED TO: -
MATERIAL: SEE NOTES		FINISH: SEE NOTES	SCALE: 1:1
WEIGHT: -		Customer Drawing	SHEET 2 OF 4

LOC		DIST		REVISIONS			
GP	00	P	LTN	DESCRIPTION	DATE	DWN	APVD
		-		SEE SHEET 1			



4 99X Ø0.56±0.05
 Ø0.1M A S B S

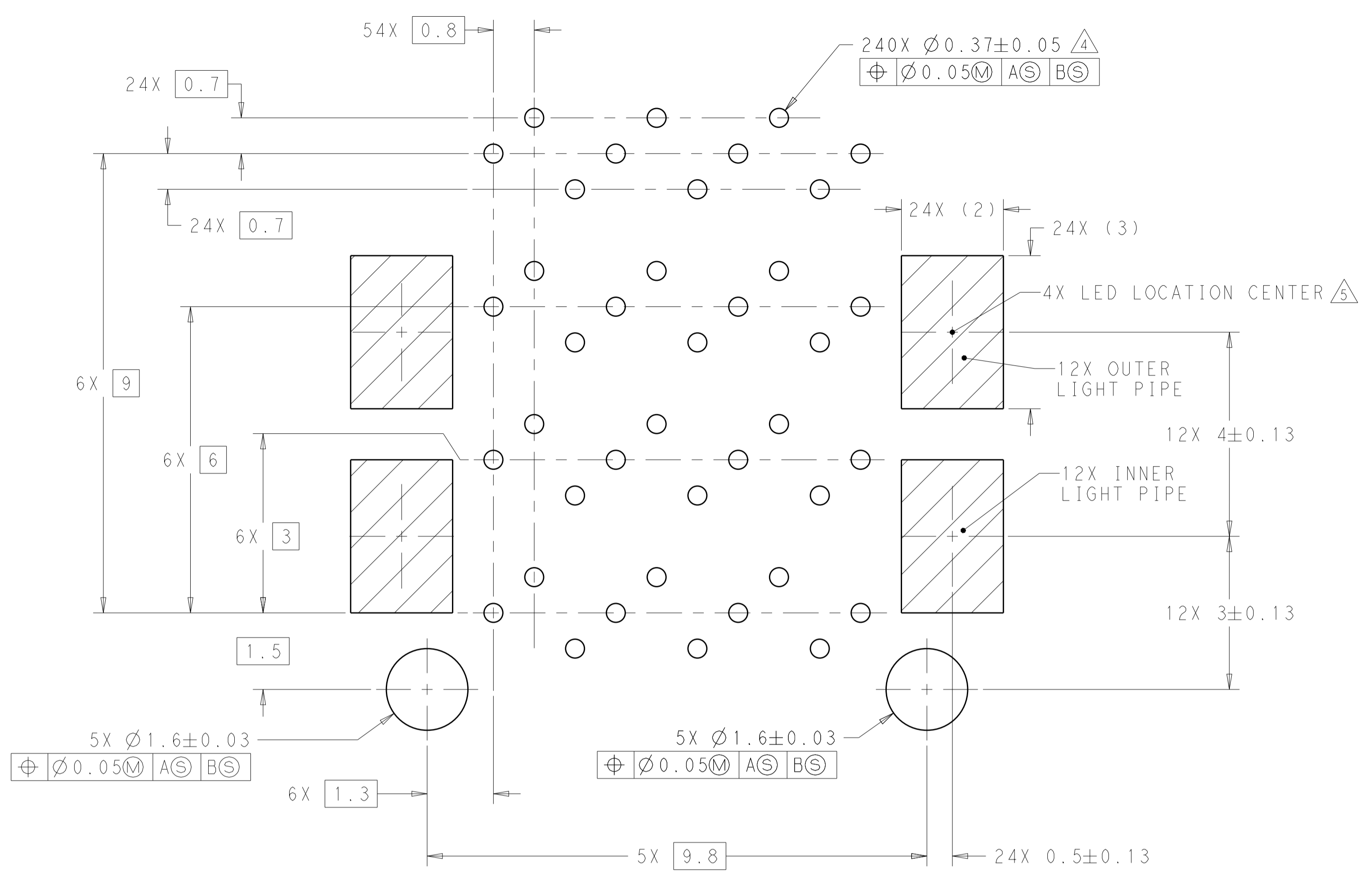
RECOMMENDED PCB LAYOUT
 SCALE 5:1

DESIGN APPROVED THIS PRINT IS
PRELIMINARY
 TO FIRST PIECE APPROVAL
 CONTACT PRODUCT ENGINEERING
 BEFORE USING THIS PRINT

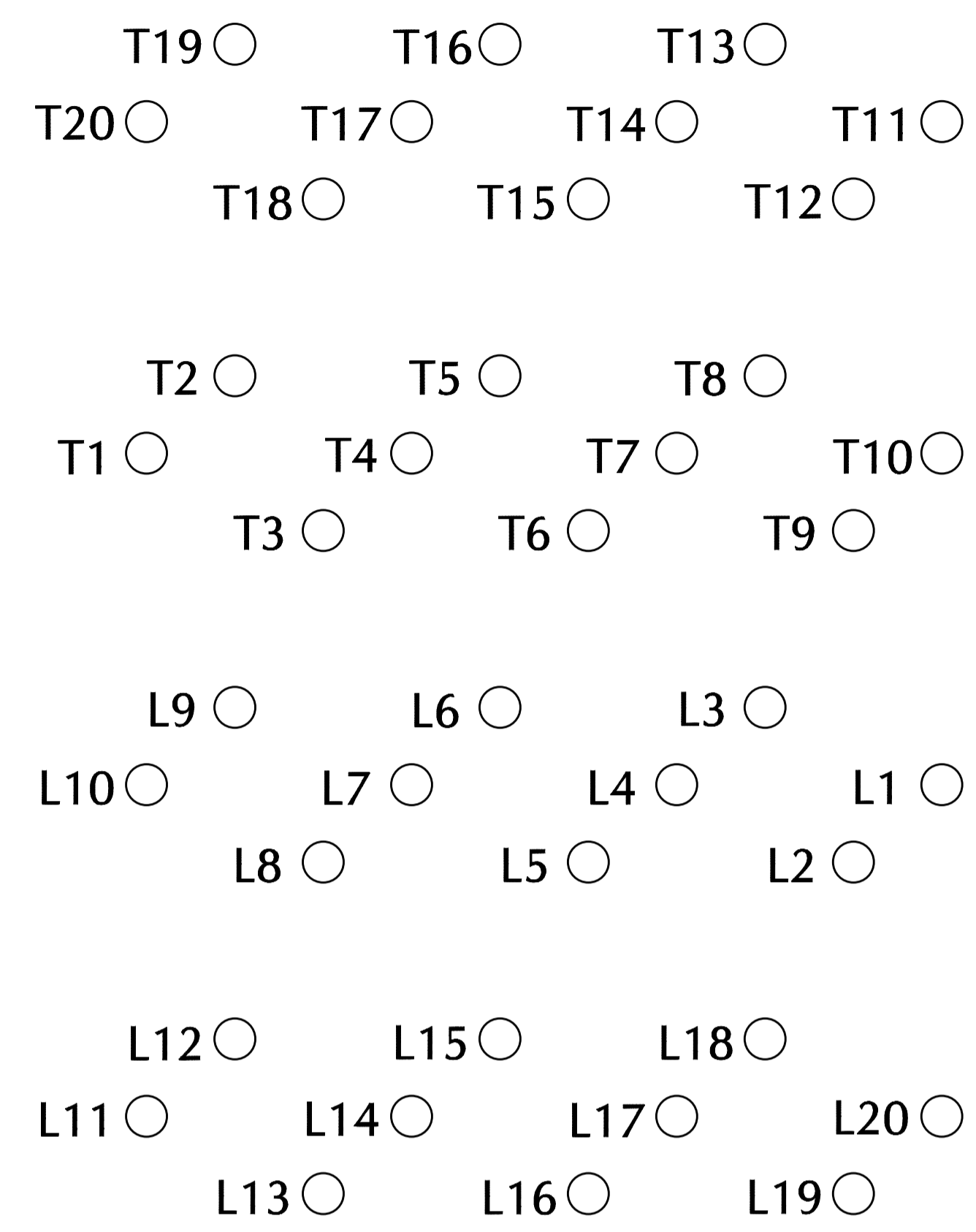
THIS DRAWING IS A CONTROLLED DOCUMENT.		DWN B. MATTHEWS 16MAR2015	TE Connectivity
DIMENSIONS: mm		CHK P. RECCE 16MAR2015	
TOLERANCES UNLESS OTHERWISE SPECIFIED:		APVD P. RECCE 16MAR2015	NAME
0 PLC ±	1 PLC ±	PRODUCT SPEC	RECEPTACLE ASSEMBLY, 2X6, STACKED, 2SFP+ THERMAL
2 PLC ±	3 PLC ±	APPLICATION SPEC	SIZE CAGE CODE DRAWING NO
4 PLC ±	ANGLES ±	114-13319	A100779C=2291491
MATERIAL SEE NOTES	FINISH SEE NOTES	WEIGHT	RESTRICTED TO
		Customer Drawing	SCALE 1:1 SHEET 3 OF 4 REV A

LOC	DIST	REV	DATE	BY	APPV
GP	00				

REVISIONS			
NO.	DESCRIPTION	DATE	BY
-	SEE SHEET 1	-	-

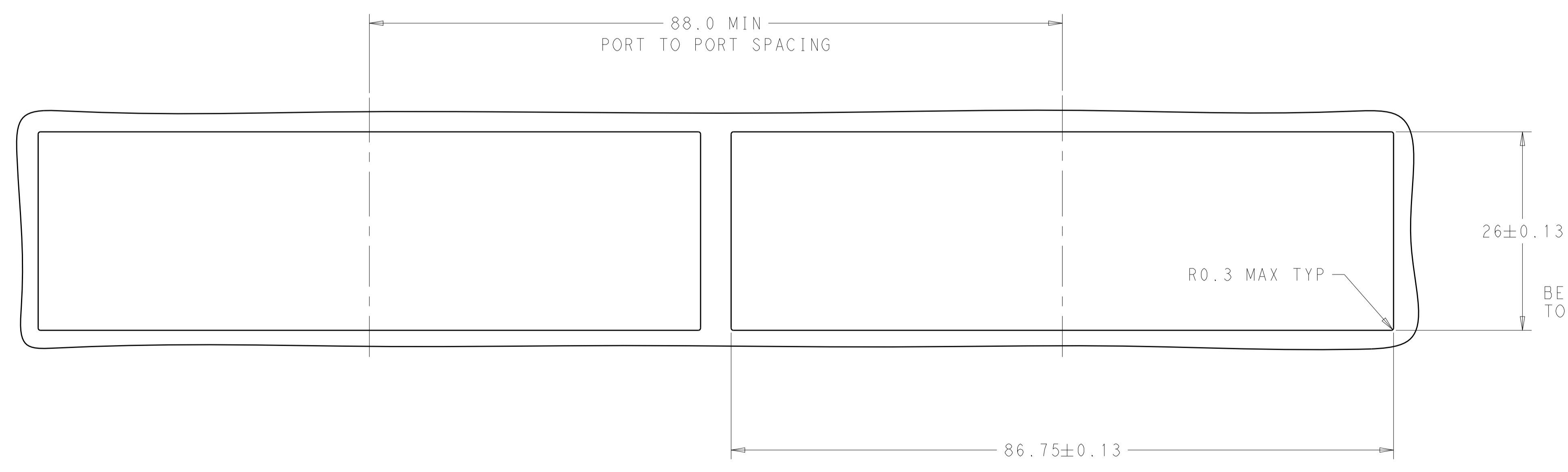


DETAIL C
 RECOMMENDED PIN AND LIGHT PIPE LAYOUT
 SCALE 15:1

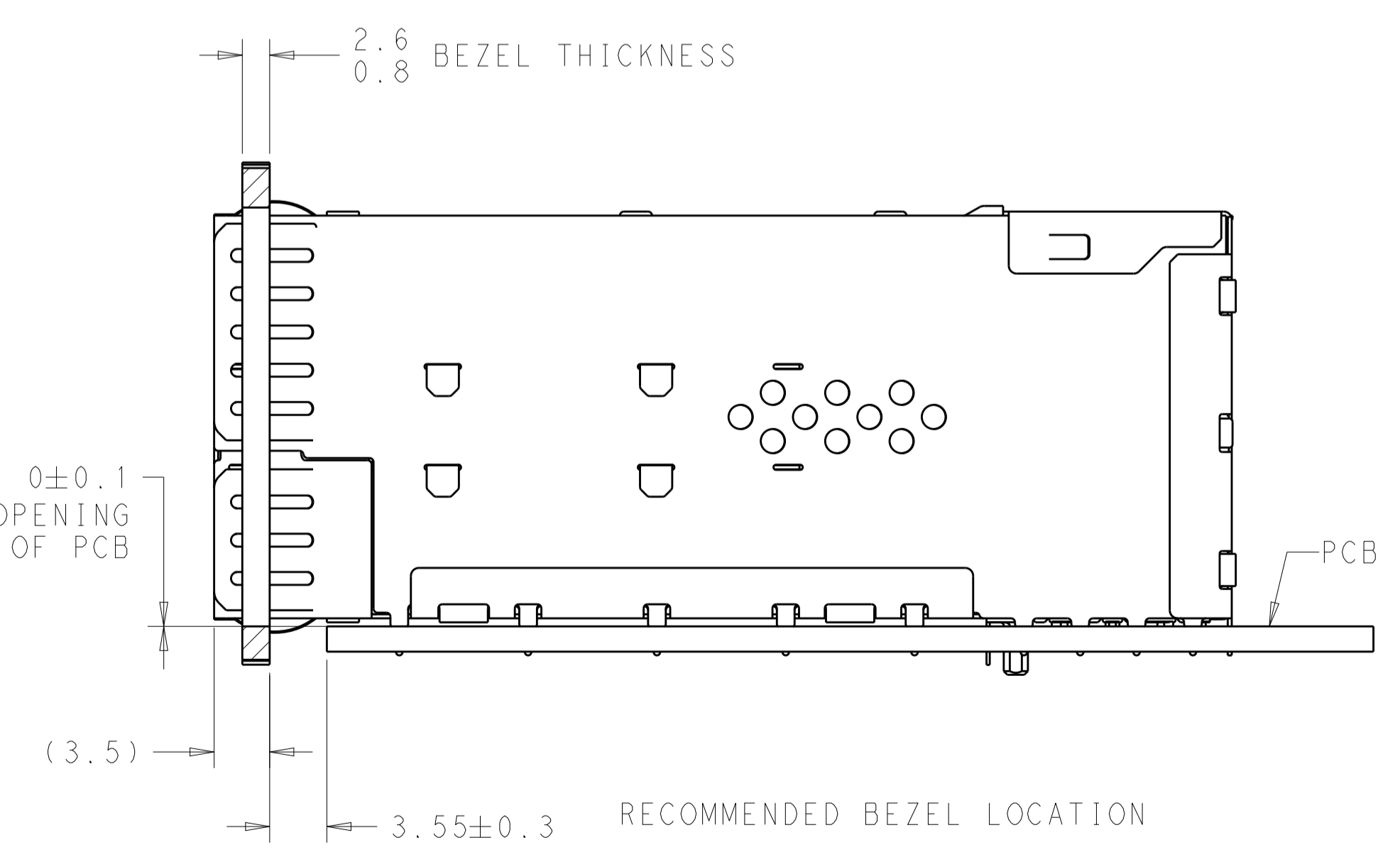


PIN MAP LEGEND	
PIN NUMBER	FUNCTION
L1/T1	VEET
L2/T2	TX-FAULT
L3/T3	TX-DISABLE
L4/T4	SDA
L5/T5	SCL
L6/T6	MOD_ABS
L7/T7	RSO
L8/T8	RX_LOS
L9/T9	RS1
L10/T10	VEER
L11/T11	VEER
L12/T12	RD-
L13/T13	RD+
L14/T14	VEER
L15/T15	VCCR
L16/T16	VCCT
L17/T17	VEET
L18/T18	TD+
L19/T19	TD-
L20/T20	VEET

DETAIL D
 PIN MAP
 6 PLACES
 SCALE 20:1



RECOMMENDED BEZEL CUT-OUT DETAIL
 SCALE 5:2



DESIGN APPROVED THIS PRINT IS
PRELIMINARY
 TO FIRST PIECE APPROVAL
 CONTACT PRODUCT ENGINEERING
 BEFORE USING THIS PRINT

THIS DRAWING IS A CONTROLLED DOCUMENT.		OWN: B. MATTHEWS 16MAR2015	TE Connectivity
DIMENSIONS: mm		CHK: P. RECCE 16MAR2015	
TOLERANCES UNLESS OTHERWISE SPECIFIED:		APVD: P. RECCE 16MAR2015	NAME: RECEPTACLE ASSEMBLY, 2X6, STACKED, 2SFP+ THERMAL
0 PLC ±		PRODUCT SPEC: 108-2481	
1 PLC ±		APPLICATION SPEC: 114-13319	SIZE: A100779 C=2291491
2 PLC ±		WEIGHT: -	
3 PLC ±		Customer Drawing	RESTRICTED TO
4 PLC ±		SCALE: 1:1	SHEET 4 OF 4
ANGLES		REV: A	
FINISH: SEE NOTES			

X-ON Electronics

Largest Supplier of Electrical and Electronic Components

Click to view similar products for [I/O Connectors](#) category:

Click to view products by [TE Connectivity](#) manufacturer:

Other Similar products are found below :

[571763P](#) [58098-0628](#) [72.250.1628.2](#) [72.250.2428.2](#) [74720-0505](#) [76.350.0729.0](#) [76871-1403](#) [FCN-244F080-G/1](#) [FCN-260A9920](#) [PCR-E36PM](#) [PCS-XE26MA+](#) [G38A71314B](#) [1571250010](#) [157-22500-3](#) [MS3471L14-19P L/C](#) [172501-4002](#) [172501-6002](#) [FCN-260C008-A/L0](#) [FCN-260C024-AL0](#) [FCN-261Z008](#) [2000314-1](#) [200331-1](#) [PCR-E36FC+](#) [PCS-E28FS+](#) [PCS-XE26SLFD+](#) [PCS-XE26SLFDT+](#) [G730VID08BDC24](#) [U90B2054081210](#) [38113800006](#) [DP3AR020WQ1R200](#) [Z4.102.0680.0](#) [500-1040](#) [500-1052](#) [500-1054](#) [ZP-4008-66L](#) [0709821002](#) [DX40-20P\(55\)](#) [5554841-1](#) [MS3474W18-8P-LC*](#) [U90B3054061110](#) [U65-E04-4020](#) [ZPF000000000097891](#) [747360449](#) [10099439-003C-TRLF](#) [10137239-0021LF](#) [E9320-001-01](#) [10137239-0011LF](#) [70289-001LF](#) [70.060.1028.0](#) [109029-ZZ](#)