

LOC	DIST	REVISIONS					
GP	00	#	LYR	DESCRIPTION	DATE	OWN	APVD
		A		PRODUCTION RELEASE	03FEB2016	JW	SH
		A1		REVISED PER ECR-18-017552	07NOV2018	IT	SH
		A2		ADD NEW DASH NUMBER 1-2291634-1	31MAY2021	SZ	SZ
		A3		RELEASE PER ECN-21-107864	18JUN2021	SZ	SZ

1 MATERIAL:
 CAGE - 0.25mm THICK NICKEL SILVER ALLOY
 HEATSINK - ALUMINUM
 HEATSINK CLIP - STAINLESS STEEL
 EMI SPRING(S) - COPPER ALLOY

2 FINISH:
 HEATSINK - ELECTROLESS NICKEL
 HEATSINK CLIP - PASSIVATE
 EMI SPRING(S) - 0.8um MIN MATTE TIN OVER 0.8um MIN NICKEL,
 NON-PLATED EDGES PERMISSIBLE.

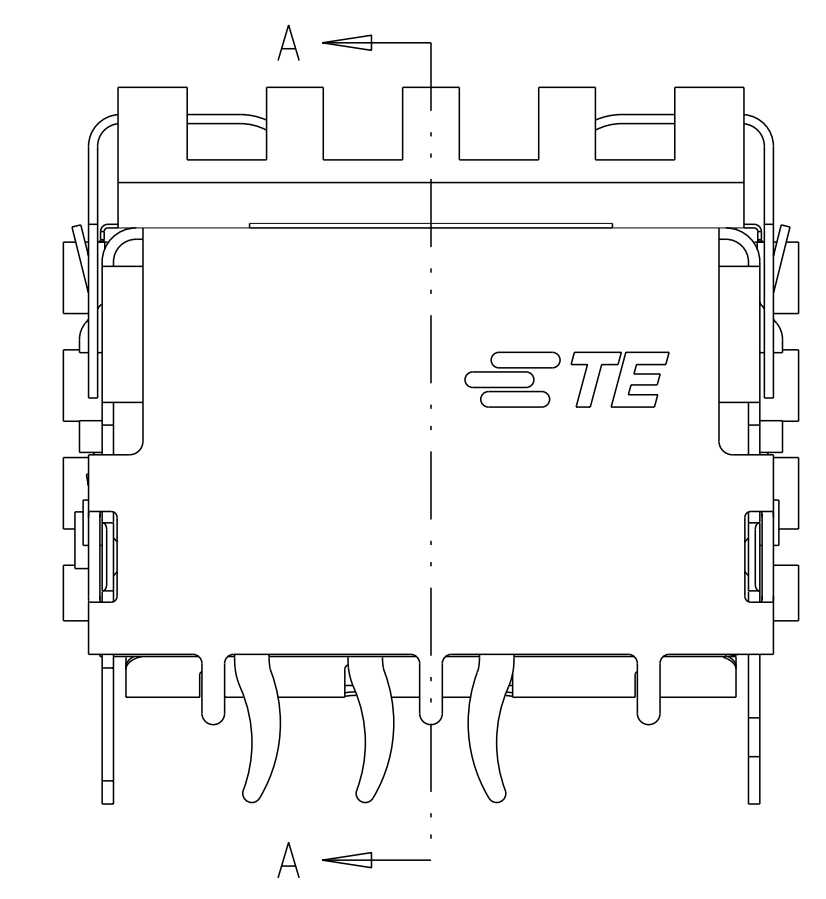
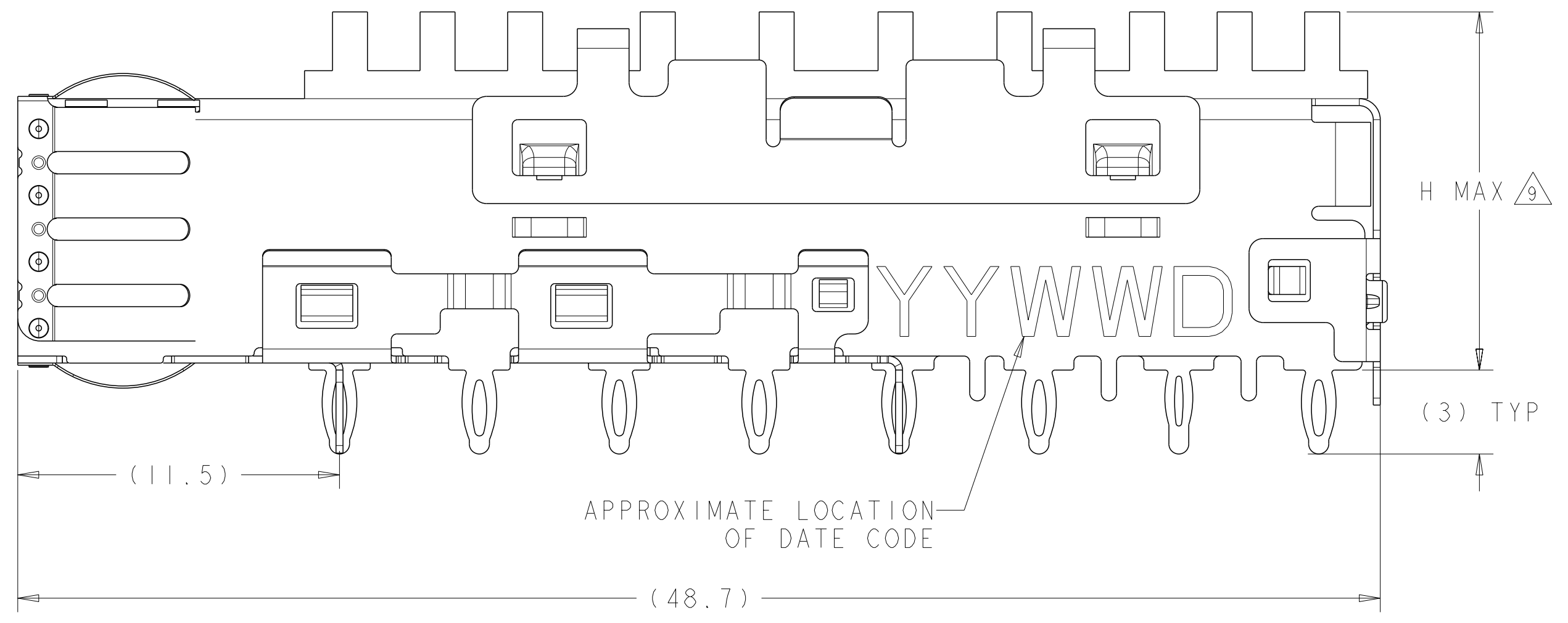
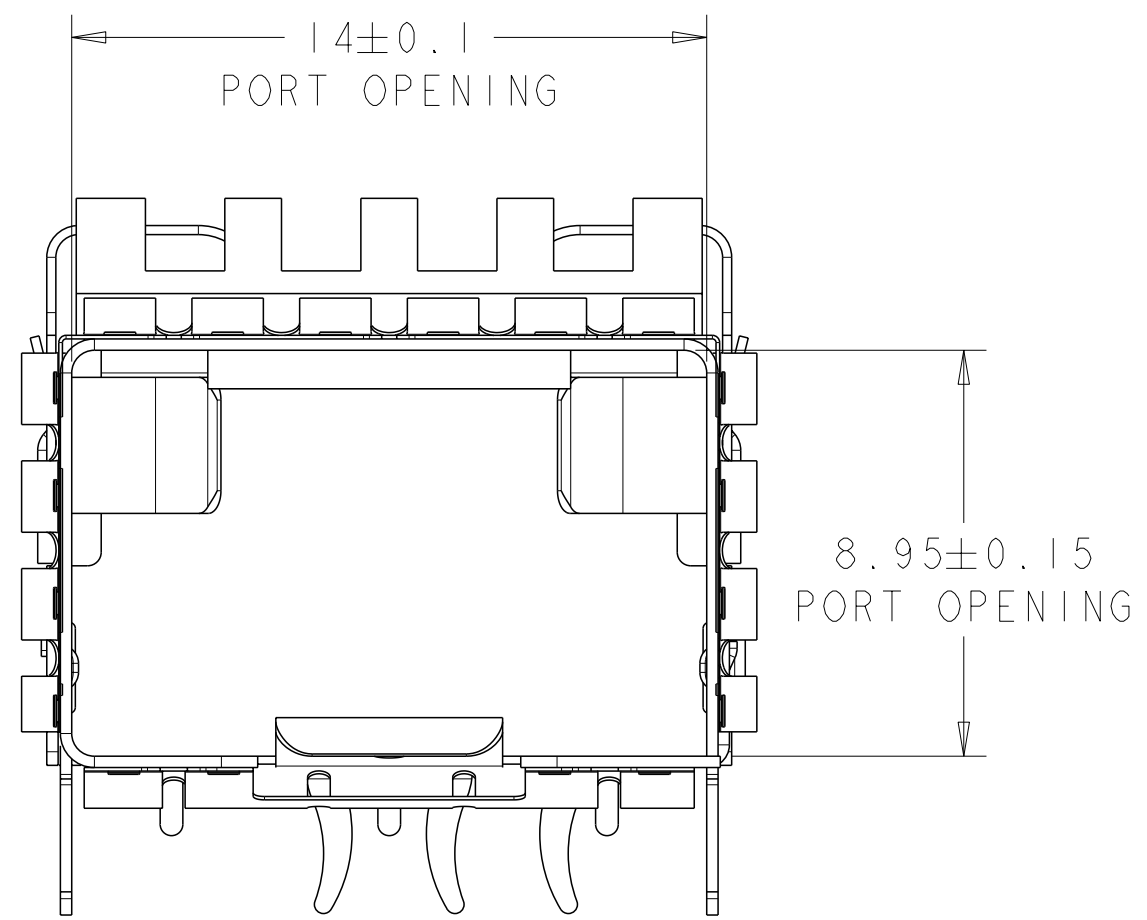
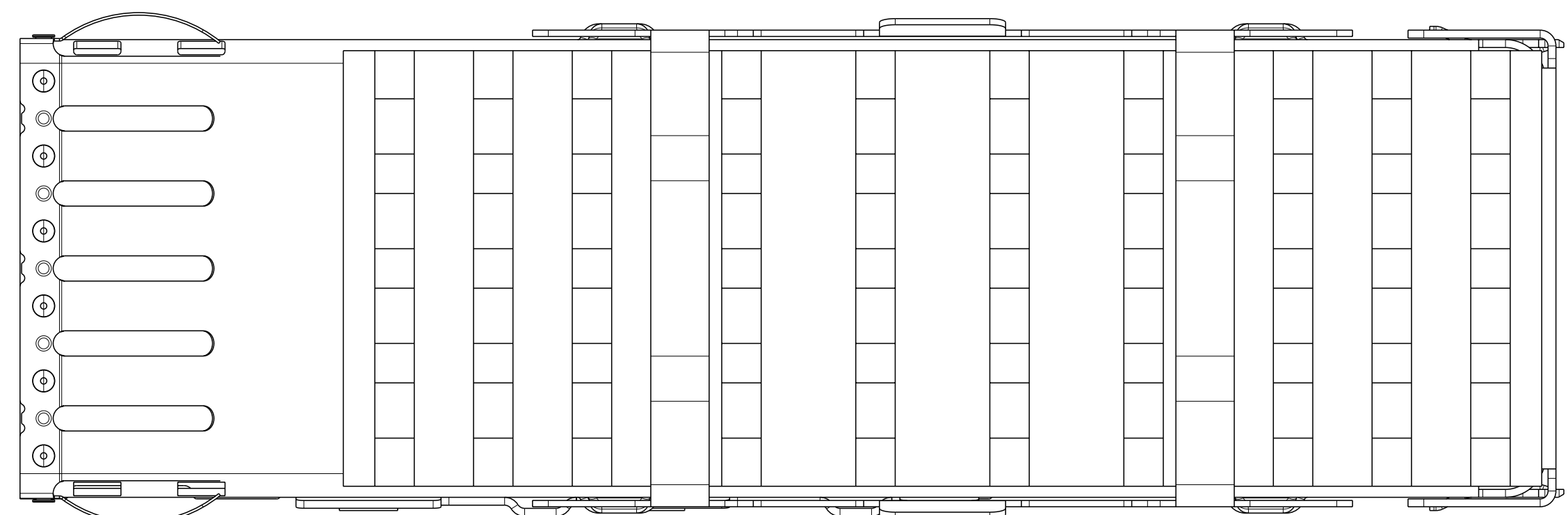
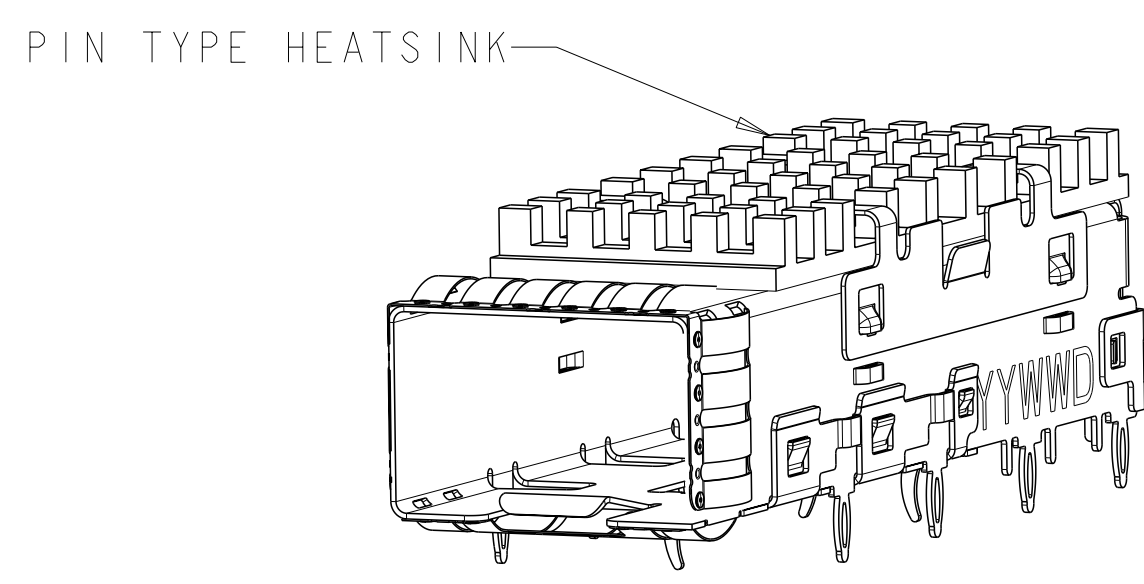
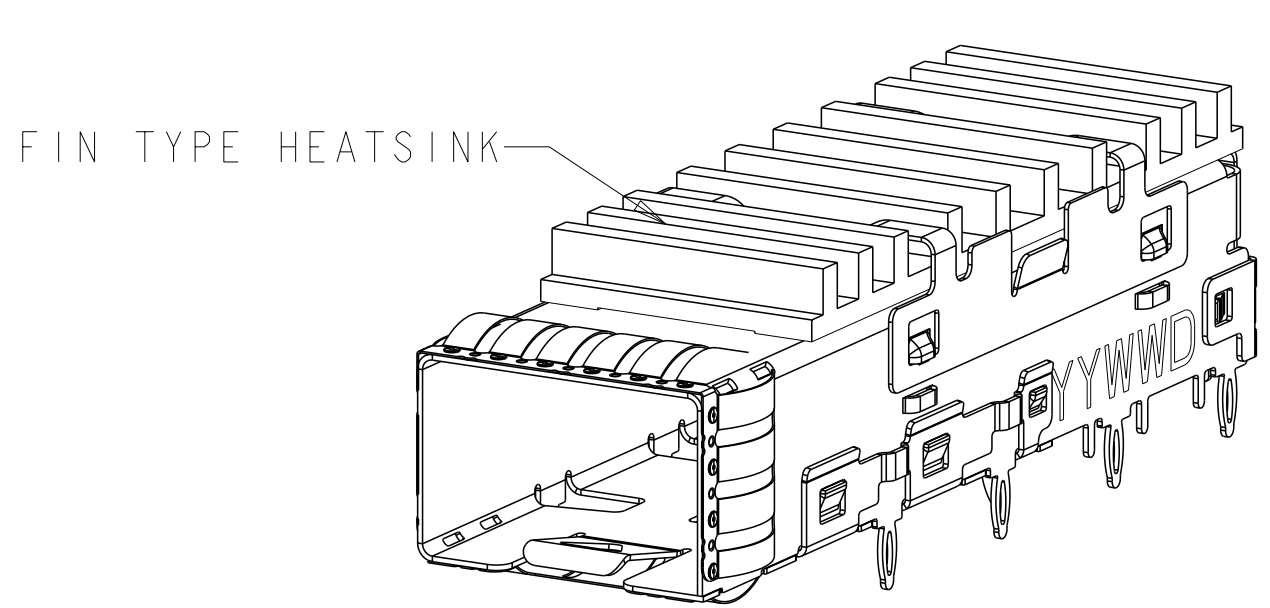
3. MATES WITH SFP MSA COMPLIANT TRANSCEIVERS.

4 PADS AND VIAS CHASSIS GROUND.

5 DATUM AND BASIC DIMENSION ESTABLISHED BY CUSTOMER.

6. MINIMUM PC BOARD THICKNESS:
 SINGLE SIDED = 1.50mm
 DOUBLE SIDED = 3.00mm

7 REFERENCE APPLICATION SPEC. 114-13120, HOLE A, FOR
 RECOMMENDED DRILL HOLE DIAMETER AND PLATING THICKNESS.

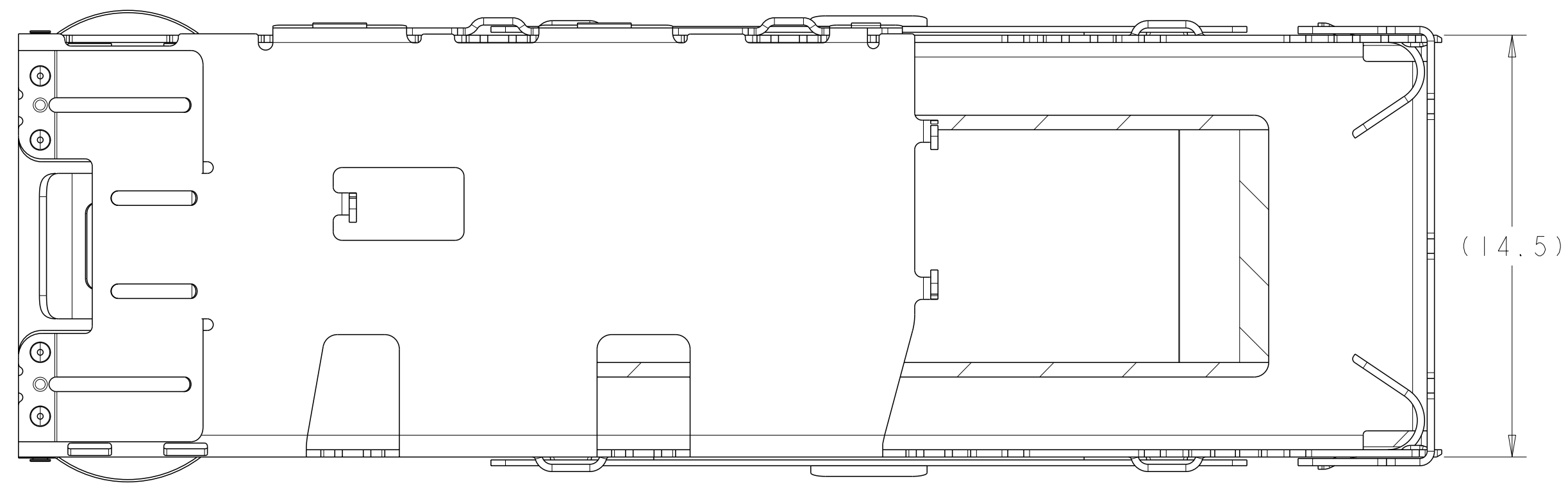


8 REFERENCE APPLICATION SPEC. 114-13120, HOLE C, FOR
 RECOMMENDED DRILL HOLE DIAMETER AND PLATING THICKNESS.

9 DIMENSION APPLIES PRIOR TO INSERTION OF SFP MODULE.

10. CAGE ASSEMBLY, HEATSINK CLIP AND HEATSINK SHIPPED
 ASSEMBLED.

11 FINISH:
 HEATSINK - BLACK ANODIZED
 HEATSINK CLIP - PASSIVATE
 EMI SPRING(S) - 0.8um MIN MATTE TIN OVER 0.8um MIN NICKEL,
 NON-PLATED EDGES PERMISSIBLE.



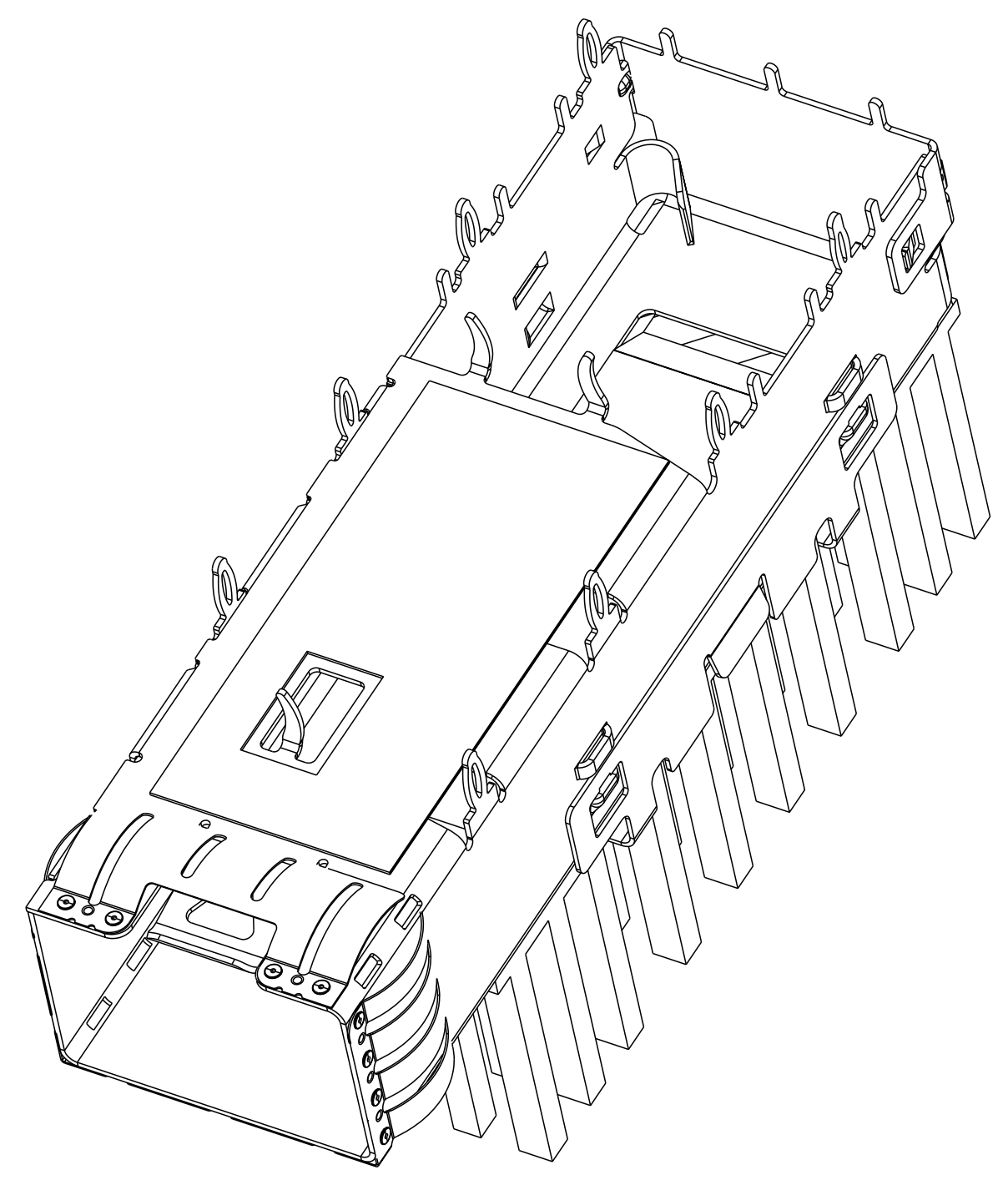
WITHOUT	13.5	30° REF	PIN TYPE	1-2291634-1
WITHOUT	13.5	30° REF	FIN TYPE	1-2291634-0
WITHOUT	13.5	15° REF	PIN TYPE	2291634-9
WITH	22.8	30° REF	FIN TYPE	2291634-8
WITHOUT	22.8	30° REF	FIN TYPE	2291634-7
WITHOUT	15.8	30° REF	FIN TYPE	2291634-6
WITHOUT	13.5	30° REF	FIN TYPE	2291634-5
WITH	22.8	30° REF	PIN TYPE	2291634-4
WITHOUT	22.8	30° REF	PIN TYPE	2291634-3
WITHOUT	15.8	30° REF	PIN TYPE	2291634-2
WITHOUT	13.5	30° REF	PIN TYPE	2291634-1
INSULATING TAPE H MAX DIM A			HEAT SINK TYPE	PART NUMBER

THIS DRAWING IS A CONTROLLED DOCUMENT.

OWN: PETER PAN	17MAR2015	TE Connectivity NAME: SFP+ 1X1 CAGE ASSEMBLY, PRESS-FIT PRESS-FIT, EMI SPRINGS WITH HEATSINK PRODUCT SPEC: 108-2364 APPLICATION SPEC: 114-13120 CAGE CODE: 00779 DRAWING NO: 2291634 RESTRICTED TO: - SCALE: 6:1 SHEET 1 OF 5 REV: A3
CHK: SEAN HAN	17MAR2015	
APVD: SEAN HAN	17MAR2015	
CUSTOMER DRAWING		

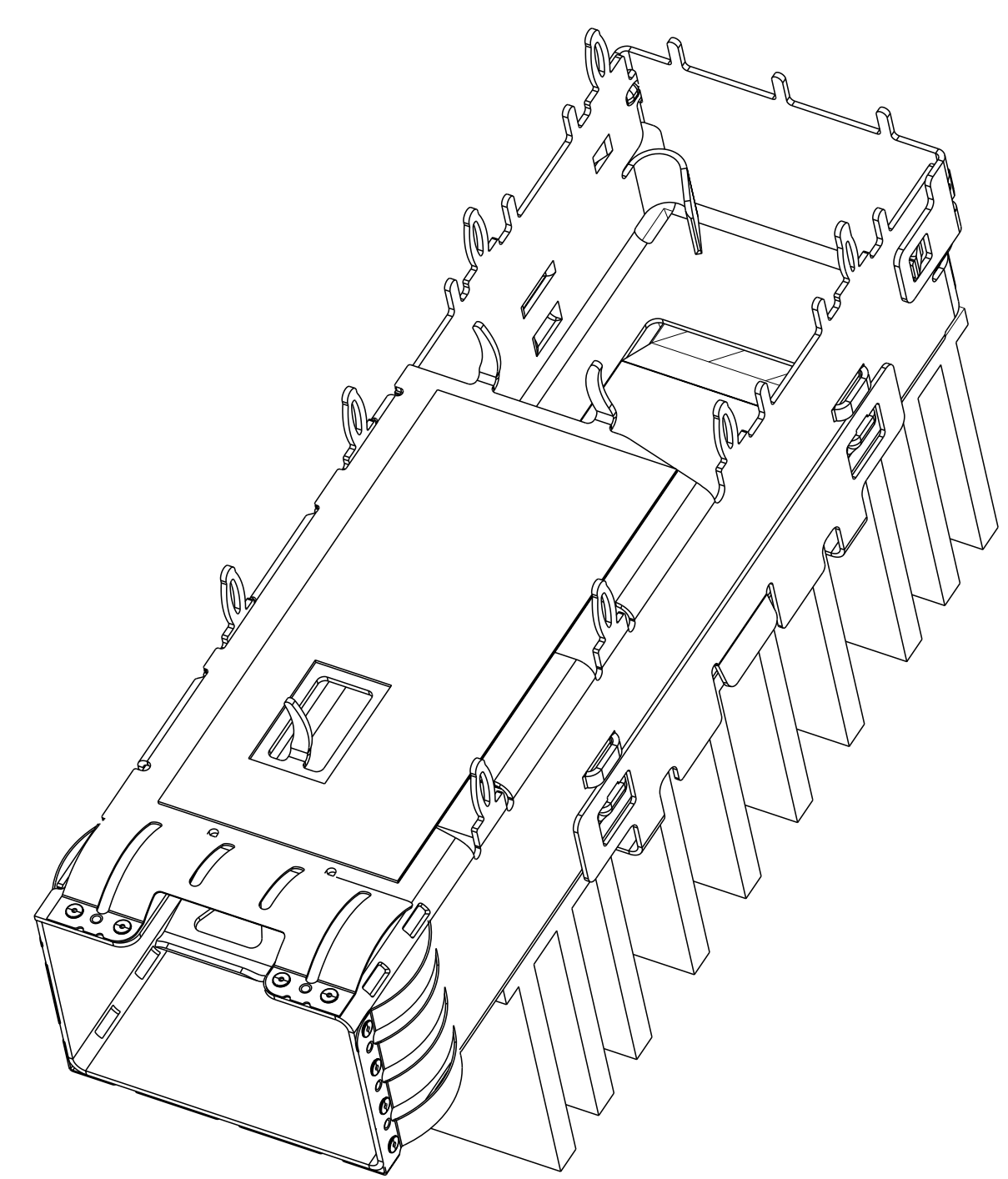
DIMENSIONS: mm
 TOLERANCES UNLESS OTHERWISE SPECIFIED:
 0 PLC ±0.1
 1 PLC ±0.1
 2 PLC ±0.1
 3 PLC ±0.05
 4 PLC ±0.05
 ANGLES ±0.05
 FINISH

LOC	DIST	REVISIONS			
P	LYR	DESCRIPTION	DATE	OWN	APVD
GP	00	SEE SHEET 1	-	-	-

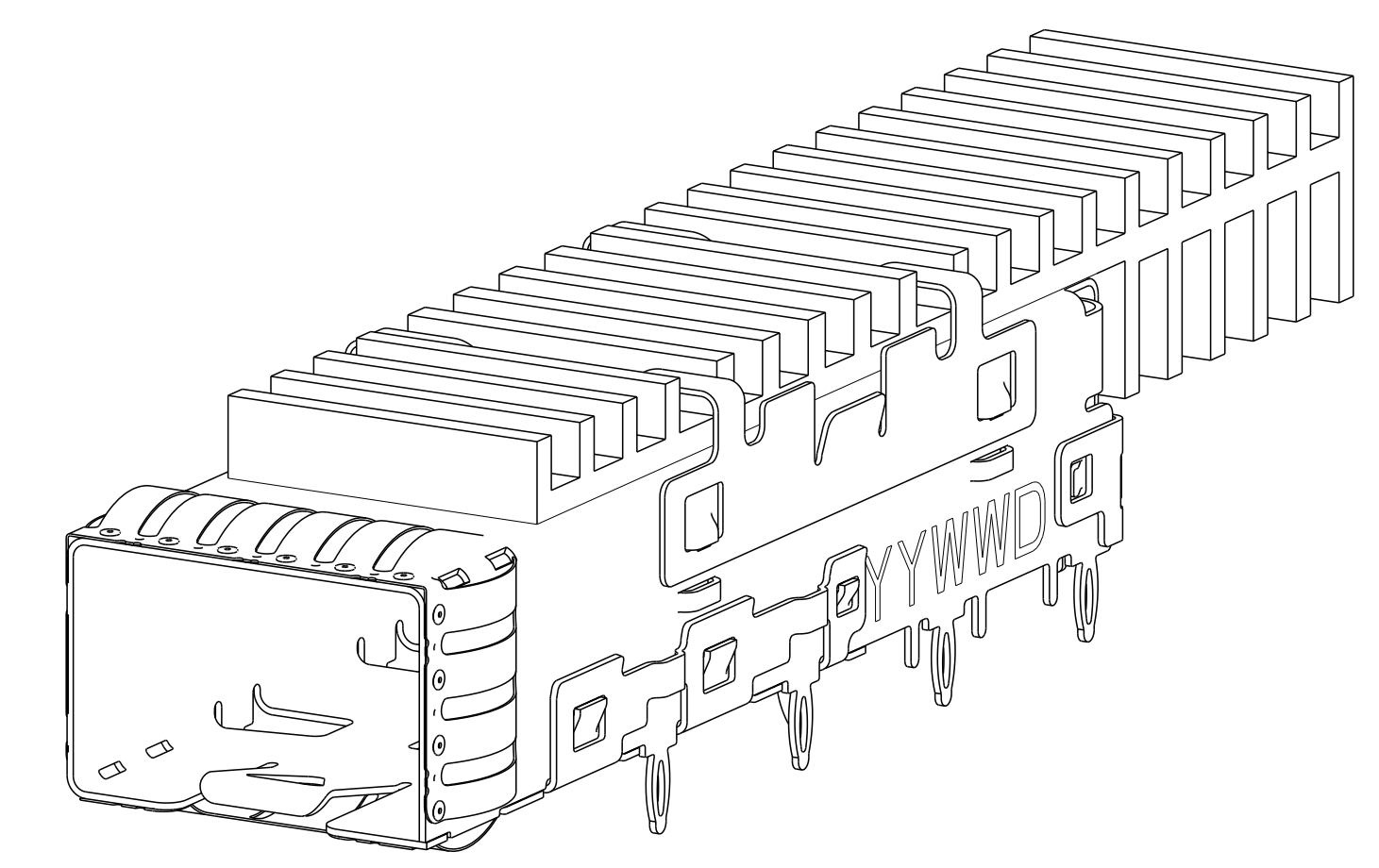


SCALE 4:1

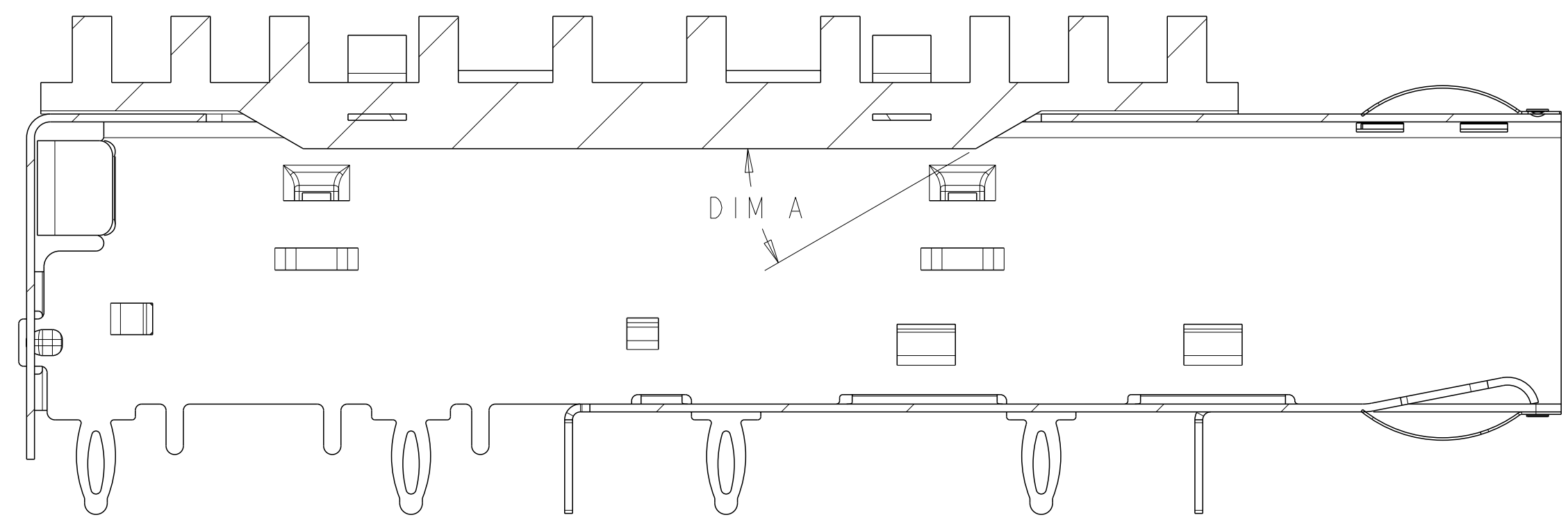
2291634-4 AS SHOWN WITH INSULATING TAPE, PIN TYPE HEAT SINK
 2291634-1, 2, 3, 9 WITHOUT INSULATING TAPE, TAPE, PIN TYPE HEAT SINK



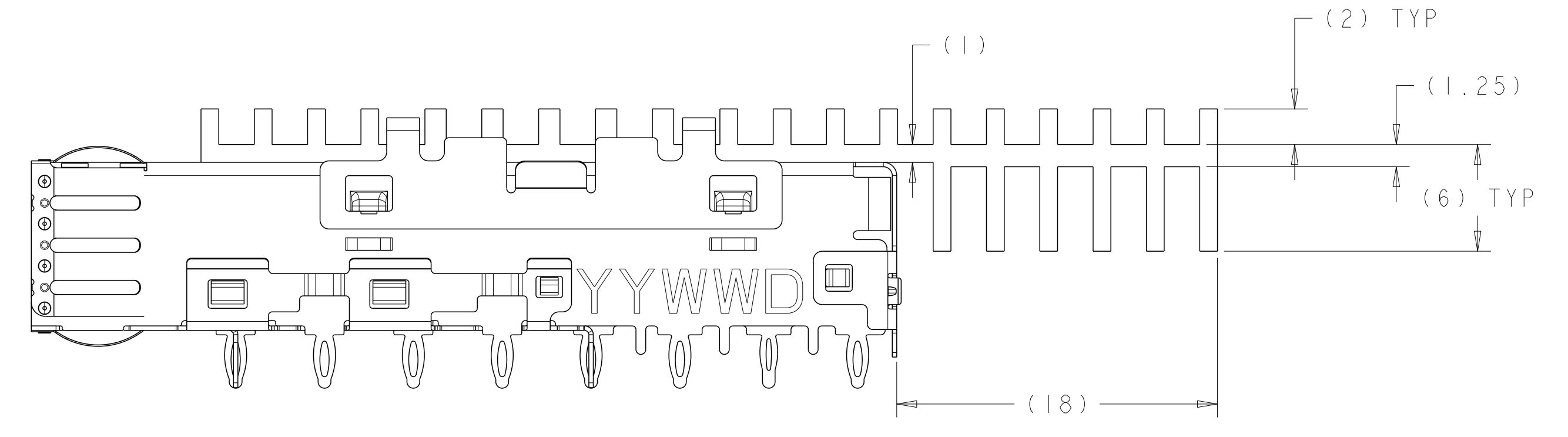
2291634-8 AS SHOWN WITH INSULATING TAPE, WITH FIN TYPE HEAT SINK
 2291634-5, 6, 7 WITHOUT INSULATING TAPE, WITH FIN TYPE HEAT SINK



1-2291634-0 AS SHOWN
 WITHOUT INSULATING TAPE, WITH EXTEND FIN TYPE HEAT SINK



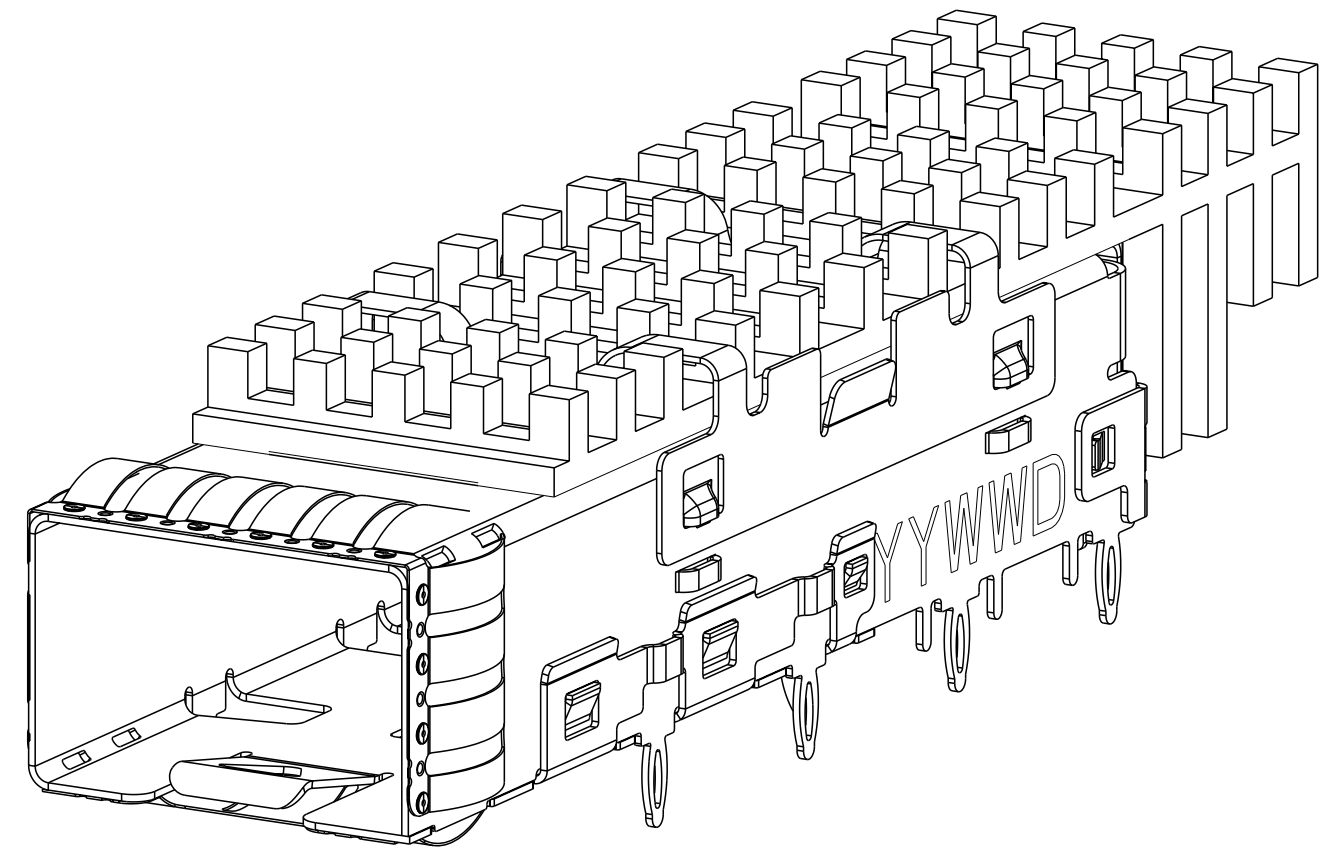
SECTION A-A



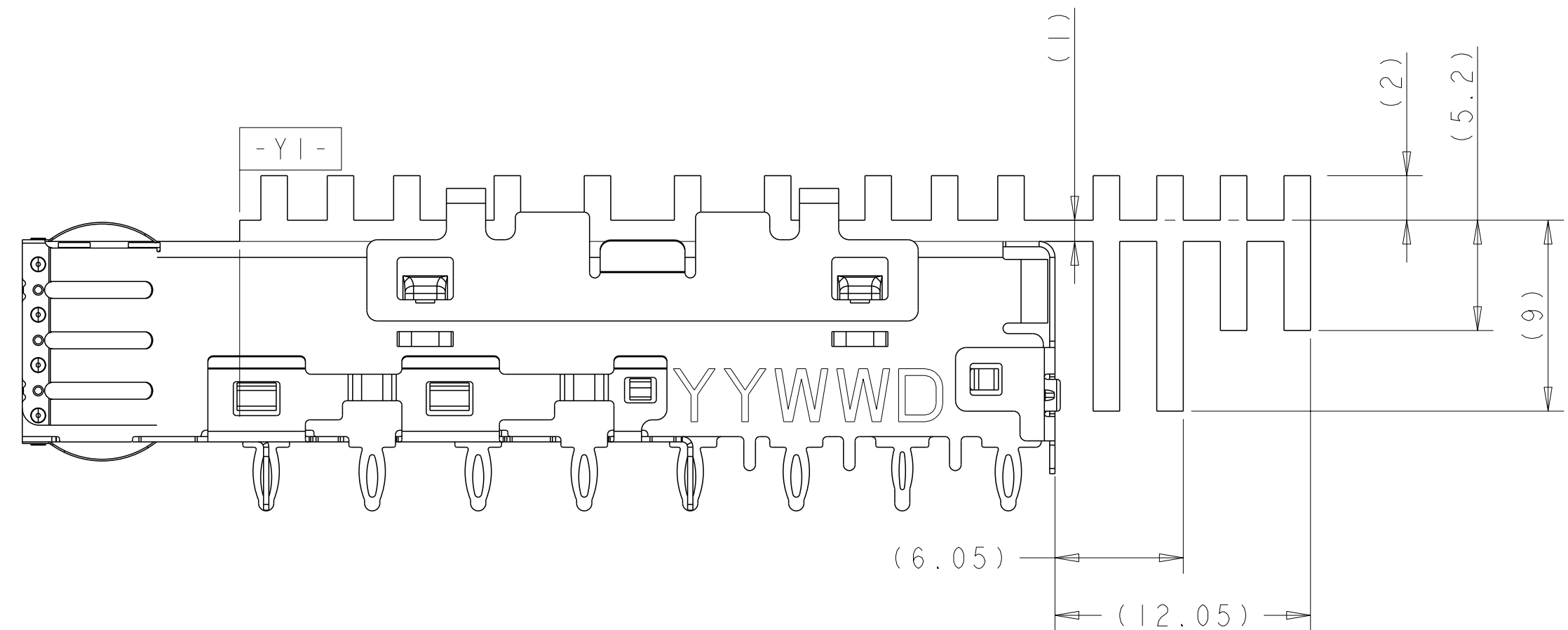
1-2291634-0 AS SHOWN
 EXCEPT HEATSINK SAME AS 2291634-1

THIS DRAWING IS A CONTROLLED DOCUMENT.		OWN PETER PAN 17MAR2015	TE Connectivity NAME SFP+ 1X1 CAGE ASSEMBLY, PRESS-FIT PRESS-FIT, EMI SPRINGS WITH HEATSINK SIZE CAGE CODE DRAWING NO RESTRICTED TO A1 00779 C=2291634 - CUSTOMER DRAWING SCALE 2 SHEET 2 OF 5 REV A3
DIMENSIONS:		CHK SEAN HAN 17MAR2015	
TOLERANCES UNLESS OTHERWISE SPECIFIED:		APVD SEAN HAN 17MAR2015	
mm		PRODUCT SPEC 108-2364	
0 PLC	±0.1	APPLICATION SPEC 114-13120	WEIGHT
1 PLC	±0.1	ANGLES	
2 PLC	±0.1	FINISH	
3 PLC	±0.05		
4 PLC	±0.05		

LOC	DIST	REVISIONS					
		P	LYR	DESCRIPTION	DATE	OWN	APVD
GP	00	-	-	SEE SHEET 1	-	-	-



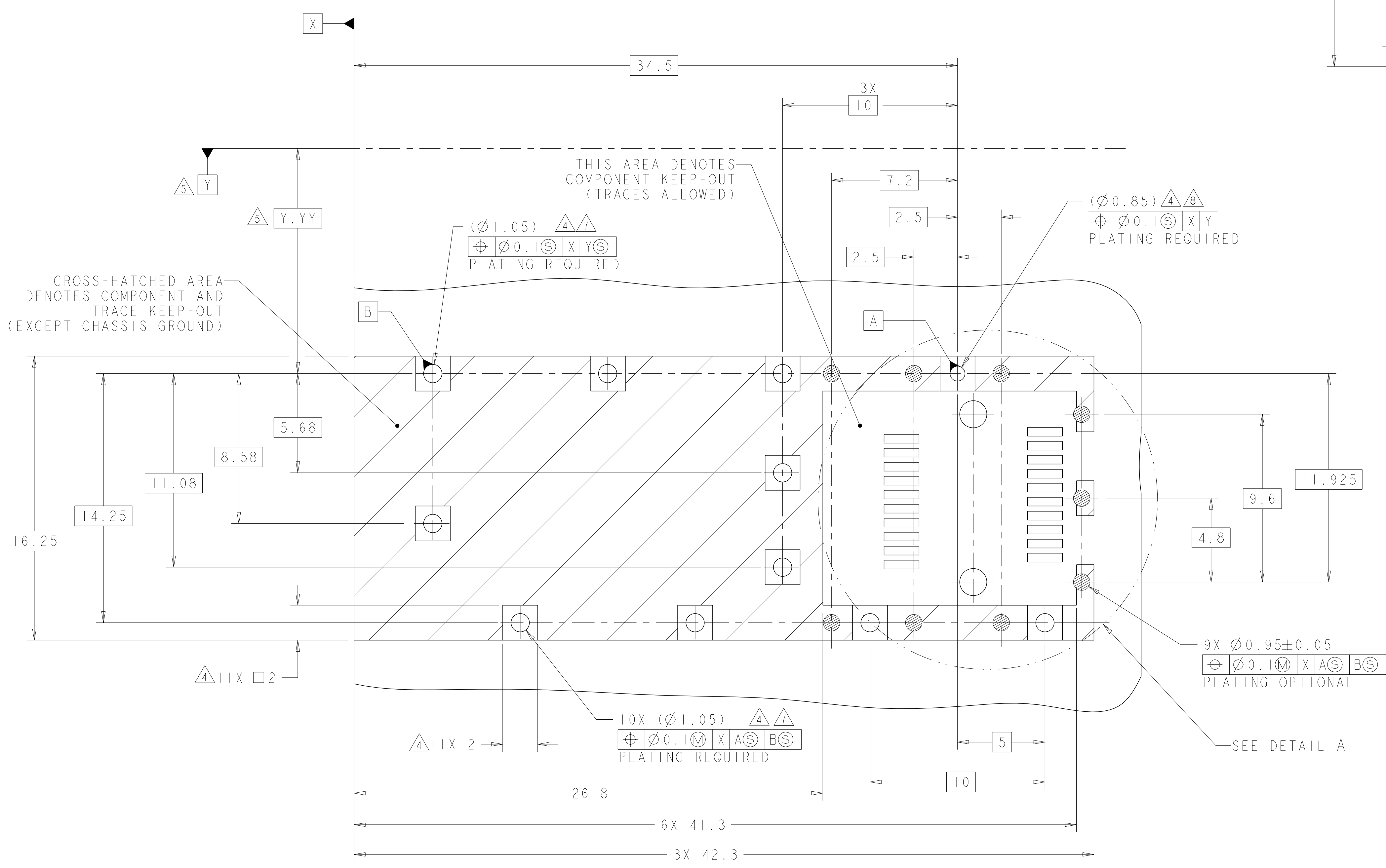
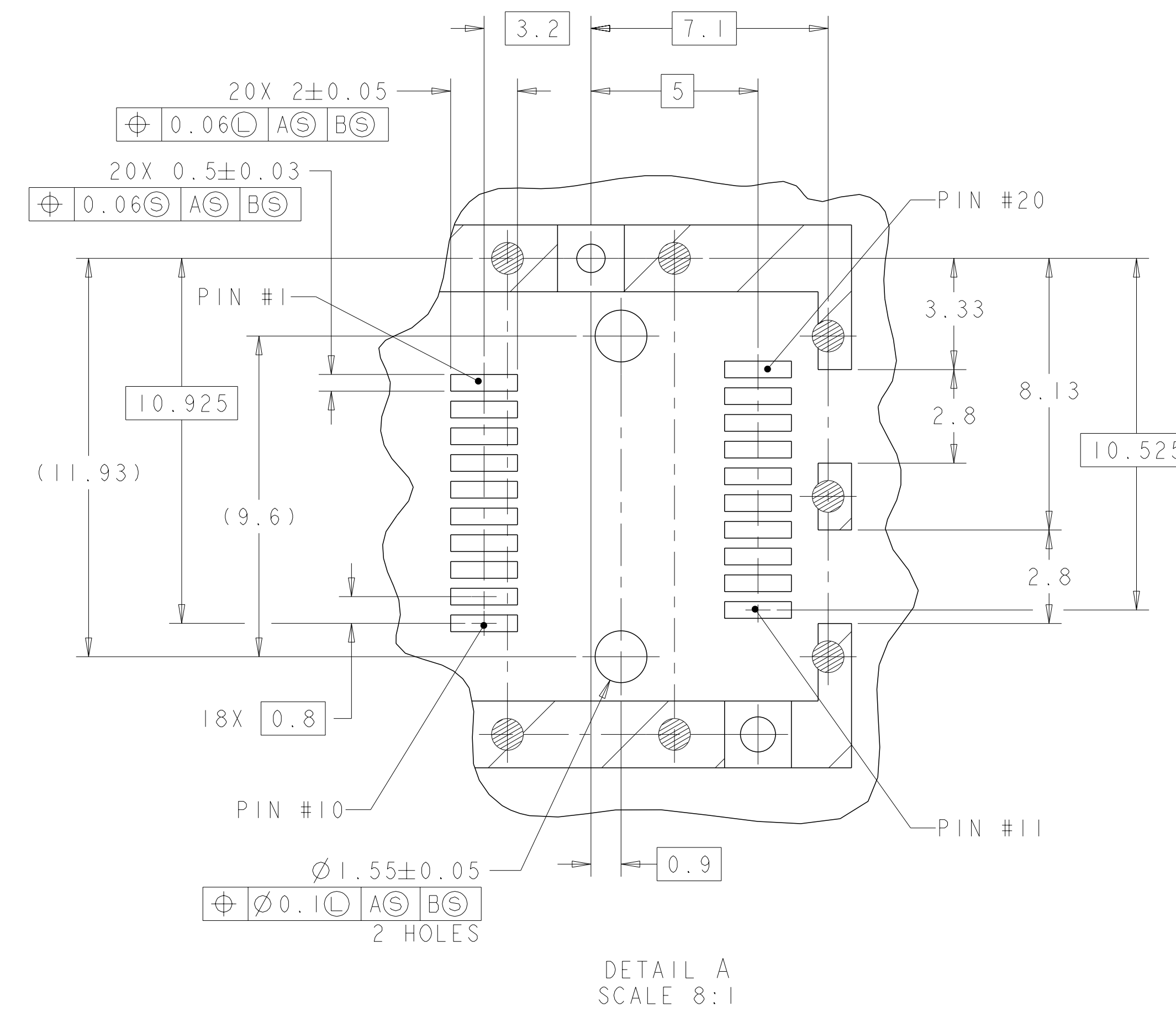
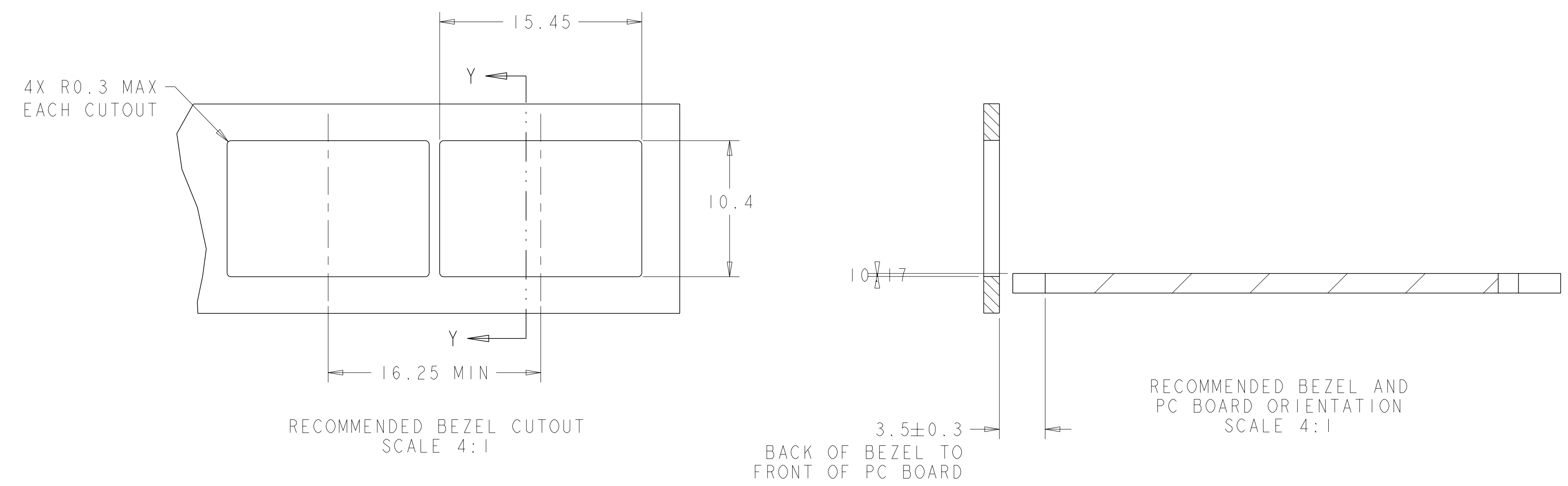
1-2291634-1 AS SHOWN
WITHOUT INSULATING TAPE, WITH EXTEND PIN TYPE HEAT SINK



1-2291634-1 AS SHOWN
EXCEPT HEATSINK SAME AS 2291634-1

THIS DRAWING IS A CONTROLLED DOCUMENT.		OWN PETER PAN 17MAR2015	TE Connectivity
DIMENSIONS:		CHK SEAN HAN 17MAR2015	
TOLERANCES UNLESS OTHERWISE SPECIFIED:		APVD SEAN HAN 17MAR2015	
mm		NAME	
0 PLC ±0.1	1 PLC ±0.1	108-2364	SFP+ 1X1 CAGE ASSEMBLY, PRESS-FIT PRESS-FIT, EMI SPRINGS WITH HEATSINK
2 PLC ±0.1	3 PLC ±0.1	APPLICATION SPEC	RESTRICTED TO
4 PLC ±0.05	ANGLES ±0.05	114-13120	SIZE CAGE CODE DRAWING NO
FINISH		WEIGHT	A100779C=2291634
MATERIAL		CUSTOMER DRAWING	SCALE 6:1 SHEET 3 OF 5 REV A3

LOC	DIST	REVISIONS				
GP	00	REV	DESCRIPTION	DATE	OWN	APVD
		-	SEE SHEET 1	-	-	-

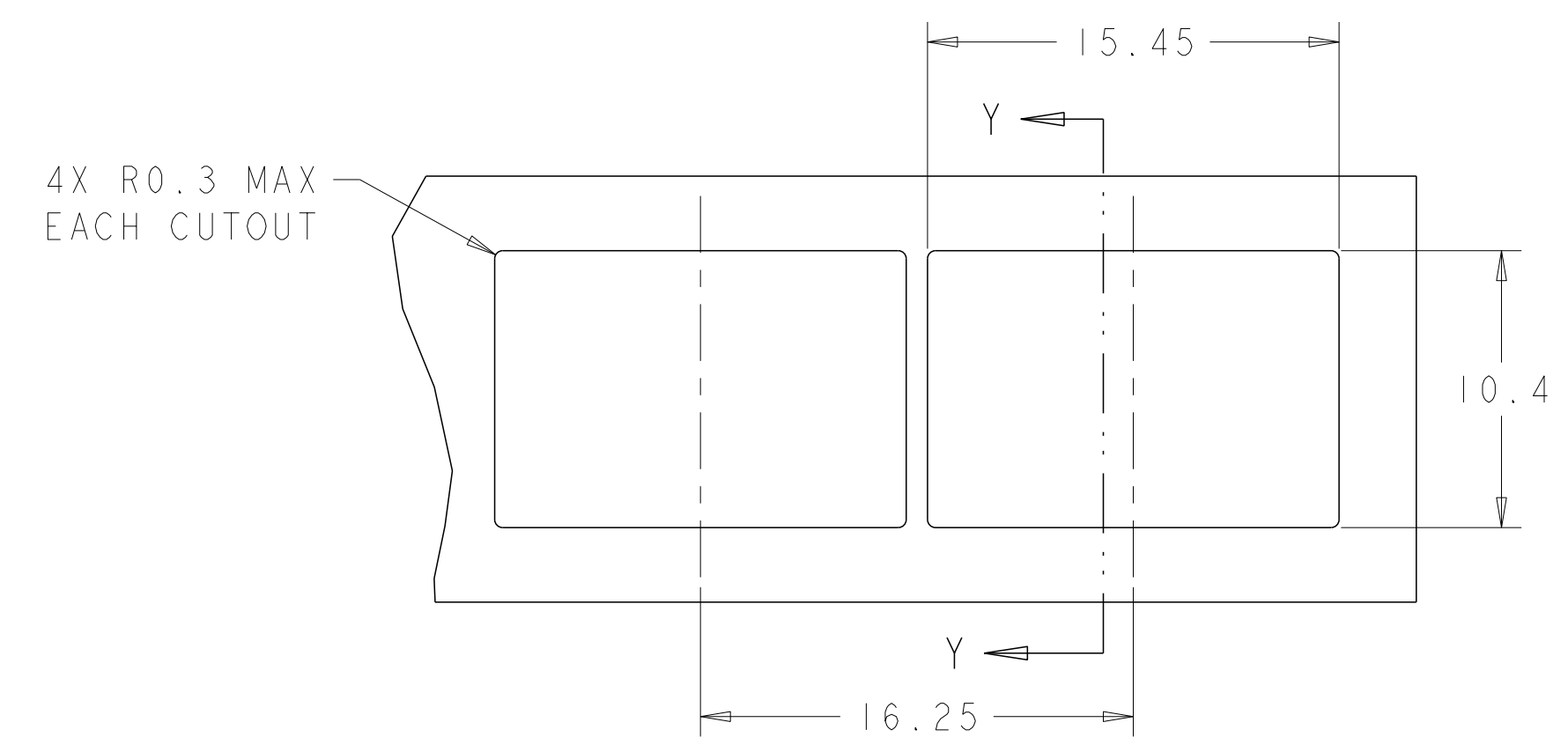


RECOMMENDED PCB LAYOUT SCALE 7:1

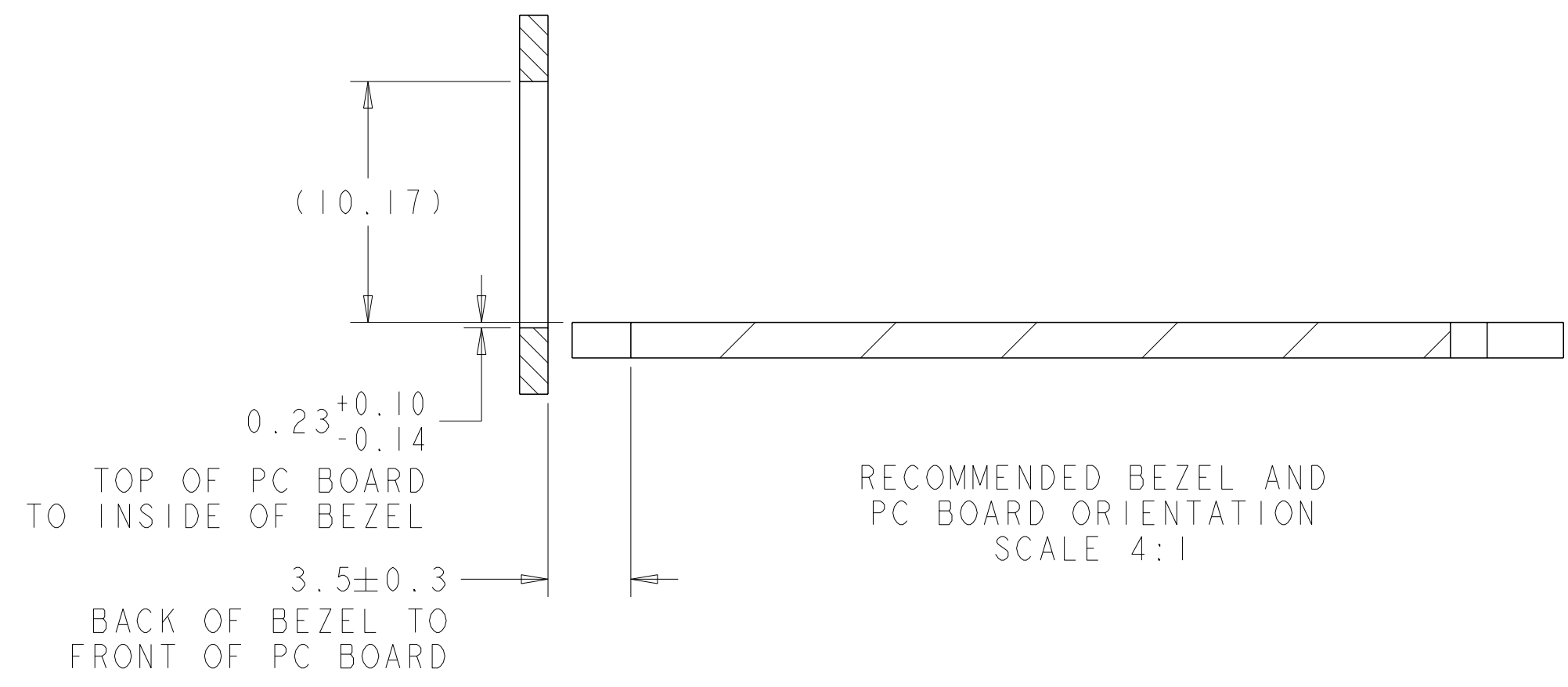
THIS DRAWING IS A CONTROLLED DOCUMENT.

OWN: PETER PAN	17MAR2015	TE Connectivity
CHK: SEAN HAN	17MAR2015	
APVD: SEAN HAN	17MAR2015	
NAME: SFP+ 1X1 CAGE ASSEMBLY, PRESS-FIT PRESS-FIT, EMI SPRINGS WITH HEATSINK		
DIMENSIONS: mm	TOLERANCES UNLESS OTHERWISE SPECIFIED:	PRODUCT SPEC: 108-2364
0 PLC ±0.1	1 PLC ±0.1	APPLICATION SPEC: 114-13120
2 PLC ±0.1	3 PLC ±0.05	SIZE: A1
4 PLC ±0.05	ANGLES ±0.05	CAGE CODE: 2291634
MATERIAL:	FINISH:	RESTRICTED TO: -
WEIGHT: -	CUSTOMER DRAWING	SCALE: 2
		SHEET: 4
		OF: 5
		REV: A3

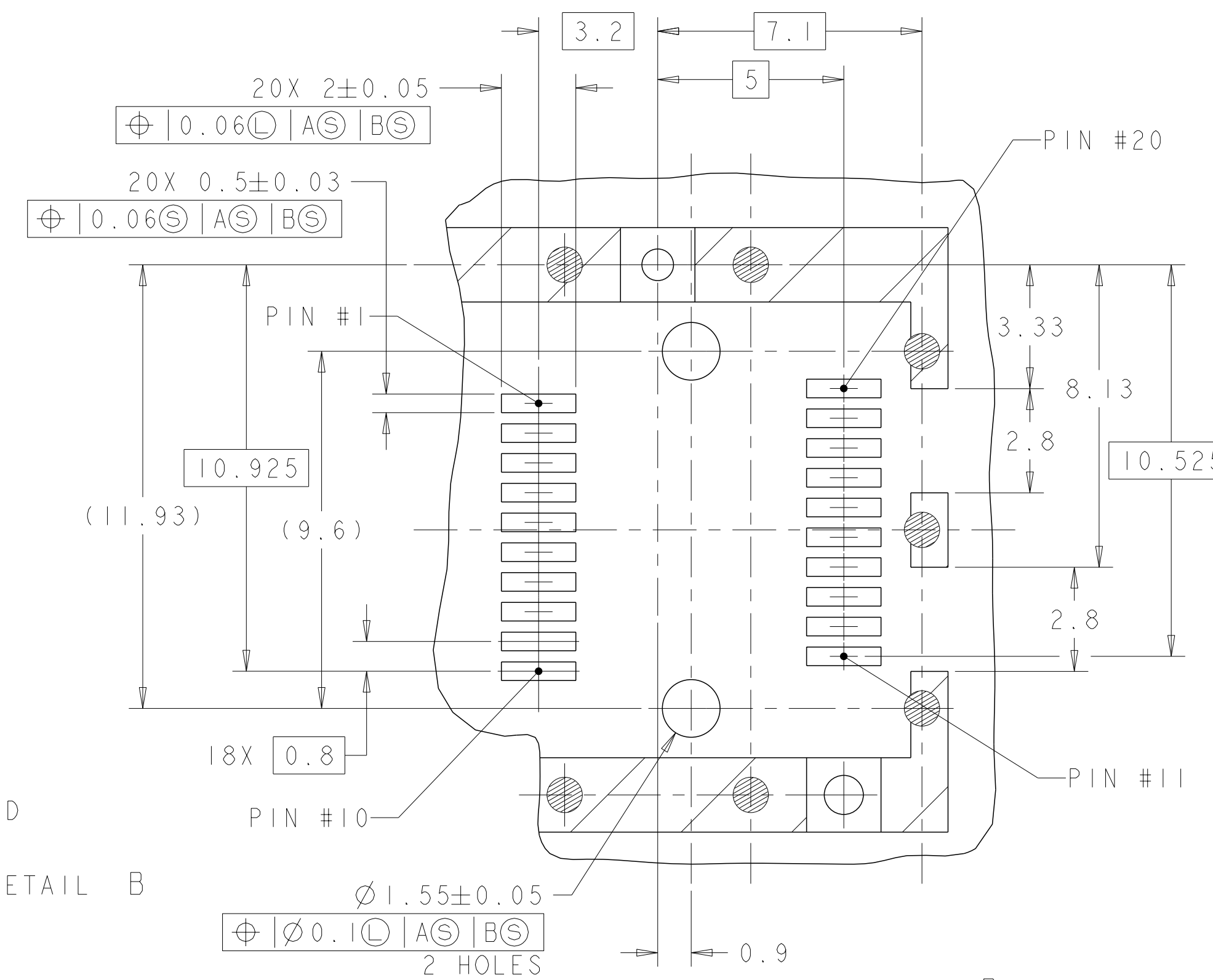
LOC	DIST	REV	DESCRIPTION	DATE	OWN	APVD
GP	00		SEE SHEET 1			



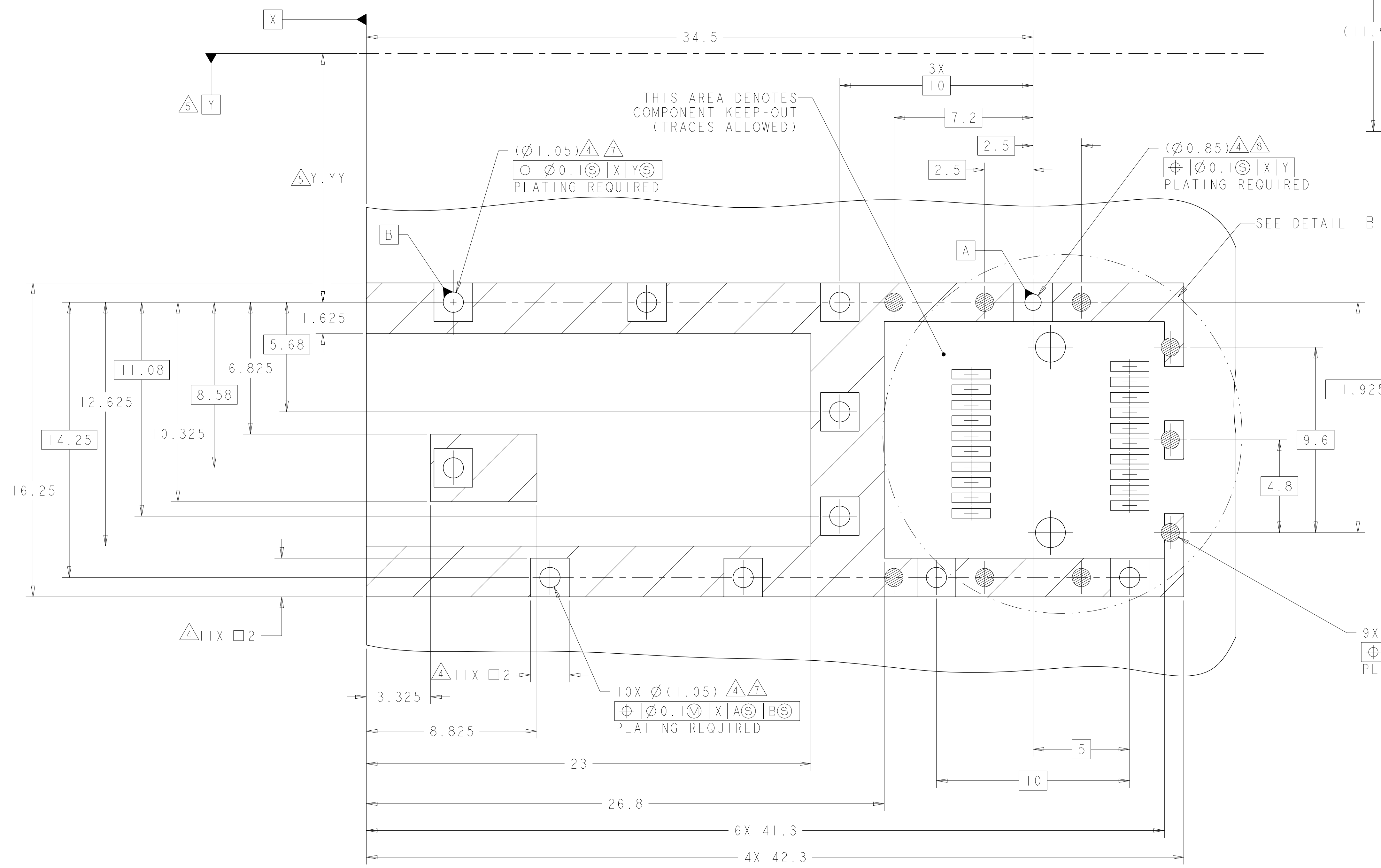
RECOMMENDED BEZEL CUTOUT
SCALE 4:1



RECOMMENDED BEZEL AND
PC BOARD ORIENTATION
SCALE 4:1



DETAIL B
SCALE 8:1



RECOMMENDED PCB LAYOUT FOR WITH
INSULATING TAPE PART
SCALE 8:1

THIS DRAWING IS A CONTROLLED DOCUMENT.		OWN: PETER PAN 17MAR2015	 TE Connectivity
DIMENSIONS: mm		CHK: SEAN HAN 17MAR2015	
TOLERANCES UNLESS OTHERWISE SPECIFIED:		APVD: SEAN HAN 17MAR2015	
0 PLC ±0.1 1 PLC ±0.1 2 PLC ±0.1 3 PLC ±0.05 4 PLC ±0.05 ANGLES FINISH		NAME: SFP+ 1XI CAGE ASSEMBLY, PRESS-FIT PRESS-FIT, EMI SPRINGS WITH HEATSINK	
MATERIAL:		PRODUCT SPEC: 108-2364	SIZE: A1
		APPLICATION SPEC: 114-13120	CAGE CODE: 2291634
		WEIGHT:	RESTRICTED TO:
		CUSTOMER DRAWING	SCALE: 2 SHEET 5 OF 5 REV: A3

X-ON Electronics

Largest Supplier of Electrical and Electronic Components

Click to view similar products for [I/O Connectors](#) category:

Click to view products by [TE Connectivity](#) manufacturer:

Other Similar products are found below :

[571763P](#) [58098-0628](#) [72.250.1628.2](#) [72.250.2428.2](#) [74720-0505](#) [76.350.0729.0](#) [76871-1403](#) [FCN-244F080-G/1](#) [FCN-260A9920](#) [PCR-E36PM](#) [PCS-XE26MA+](#) [G38A71314B](#) [1571250010](#) [157-22500-3](#) [MS3471L14-19P L/C](#) [172501-4002](#) [172501-6002](#) [FCN-260C008-A/L0](#) [FCN-260C024-AL0](#) [FCN-261Z008](#) [2000314-1](#) [200331-1](#) [PCR-E36FC+](#) [PCS-E28FS+](#) [PCS-XE26SLFD+](#) [PCS-XE26SLFDT+](#) [G730VID08BDC24](#) [U90B2054081210](#) [38113800006](#) [DP3AR020WQ1R200](#) [Z4.102.0680.0](#) [500-1040](#) [500-1052](#) [500-1054](#) [ZP-4008-66L](#) [0709821002](#) [DX40-20P\(55\)](#) [5554841-1](#) [MS3474W18-8P-LC*](#) [U90B3054061110](#) [U65-E04-4020](#) [ZPF000000000097891](#) [747360449](#) [10099439-003C-TRLF](#) [10137239-0021LF](#) [E9320-001-01](#) [10137239-0011LF](#) [70289-001LF](#) [70.060.1028.0](#) [109029-ZZ](#)