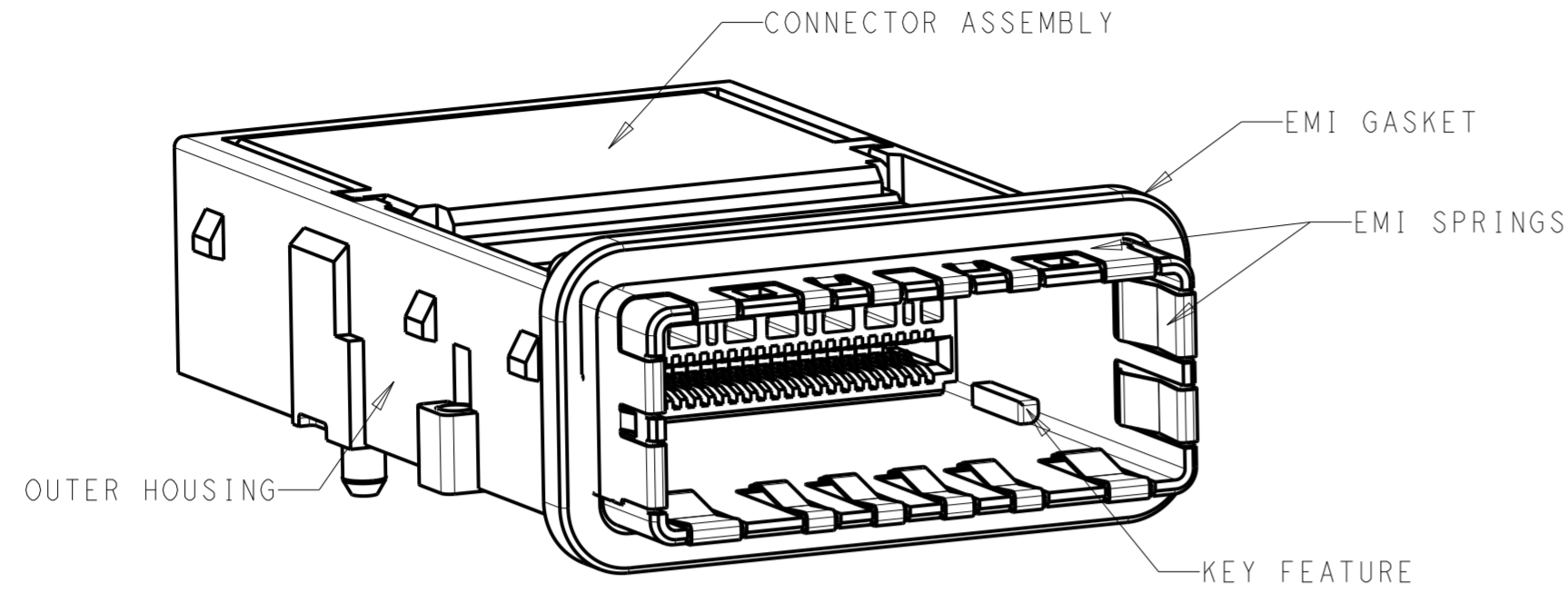
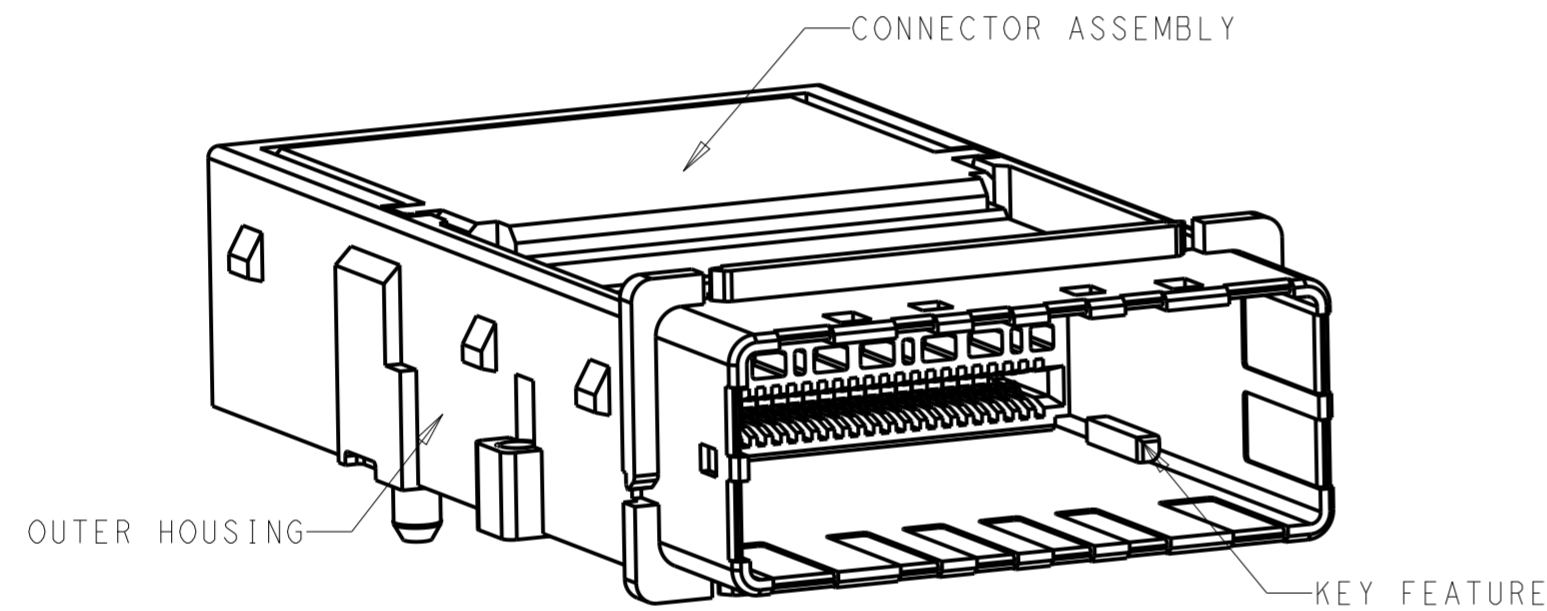


THIS DRAWING IS UNPUBLISHED. RELEASED FOR PUBLICATION 20
 © COPYRIGHT 20 BY - ALL RIGHTS RESERVED.

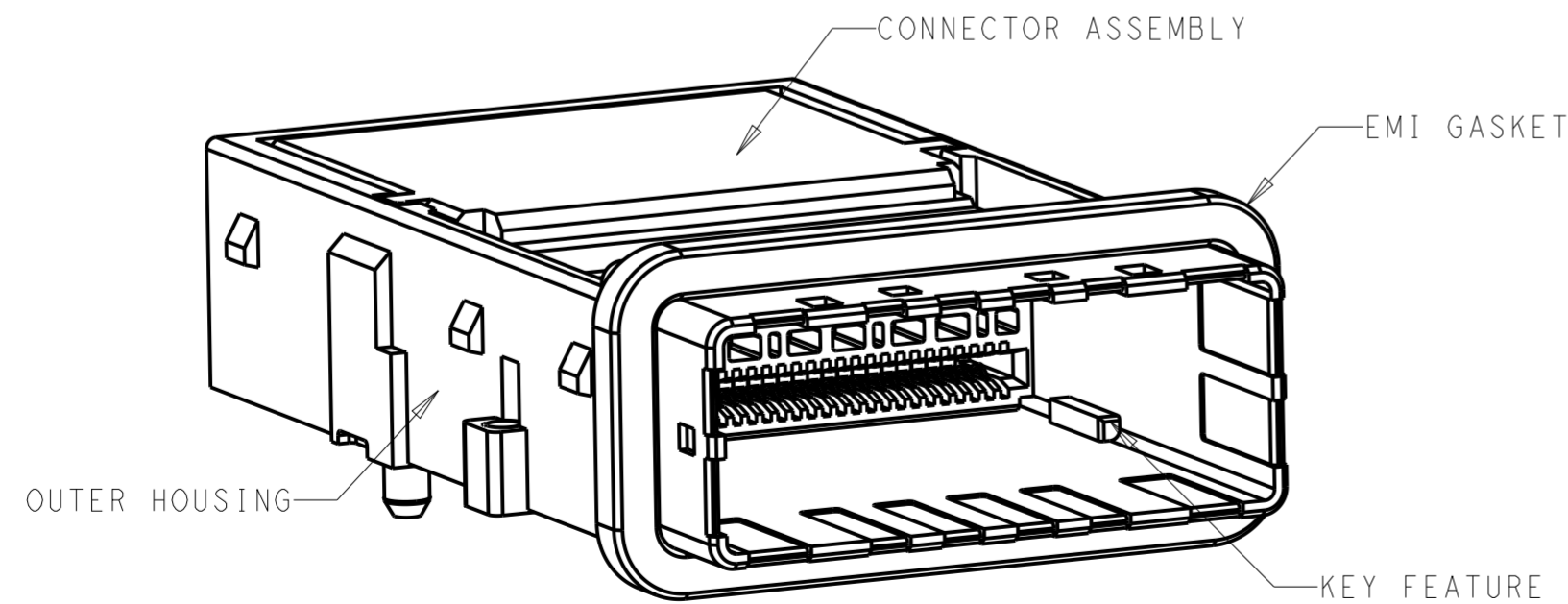
REVISIONS					
P	LTR	DESCRIPTION	DATE	DWN	APVD
B		REVISED PER ECO-18-012594	07AUG2018	JY	SH
C		REVISED PER ECO-19-018835	17OCT2019	JY	SH
D		REVISED PER ECO-20-012788	08SEP2020	JY	SH
D1		ADDED NEW DASH-7	07MAY2021	AJ	SZ



2291931-1, -5 SHOWN WITH EMI SPRING AND GASKET SCALE 3:1



2291931-2, -3, -4 AS SHOWN W/O EMISPRING AND GASKET SCALE 3:1



2291931-6/-7 AS SHOWN W/O EMISPRING AND W GASKET SCALE 3:1

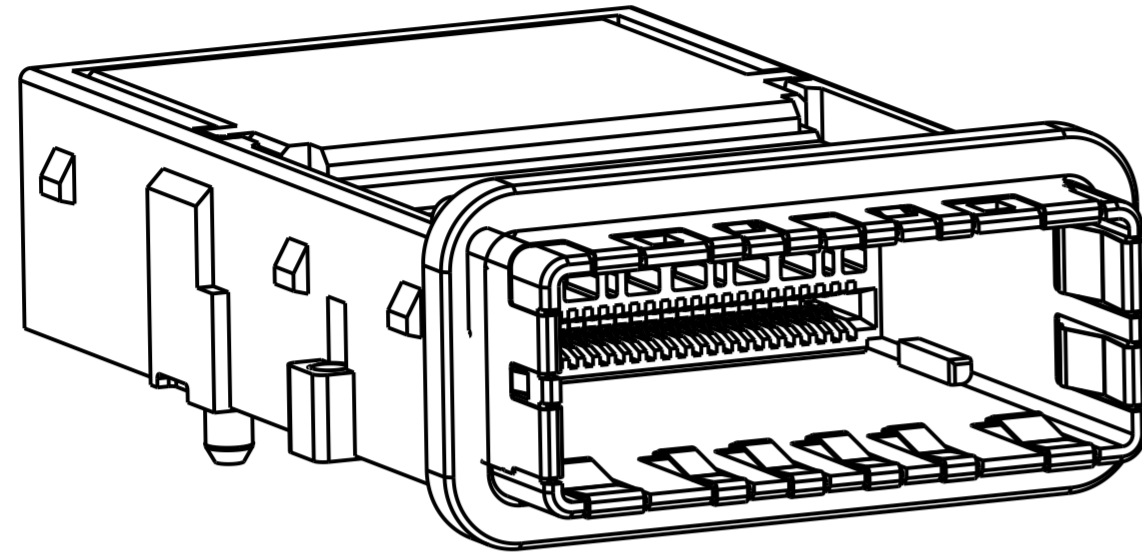
- MATERIALS:
 OUTER HOUSING - NICKEL PLATED ZINC ALLOY PER ASTM B 240.
 CONNECTOR HOUSINGS - LCP, UL 94V-0 RATED.
 CHICKLETS - LCP, UL 94V-0 RATED.
 CONTACTS - PHOSPHOR BRONZE.
 EMI SPRINGS - COPPER ALLOY.
 EMI GASKET - CONDUCTIVE ELASTOMER.
- CONTACT FINISH:
 CONFORMS TO THE REQUIREMENTS OF TYCO ELECTRONICS PRODUCT SPECIFICATION 108-32065, BASED ON EIA/ECA-364-1000.01A, (CONTROLLED ENVIRONMENT APPLICATIONS) ON MATING INTERFACES.
 MATTE TIN ON COMPLIANT PINS.
- PCB THICKNESS 1.57 MINIMUM.
- FOR HOLE SIZE AND PLATINGS, SEE APPLICATION SPEC 114-32114.
- CROSS HATCHED AREA INDICATES REQUIRED CONDUCTIVE AREA ON SURFACE OF PCB. NO COMPONENTS OR TOP SIDE SURFACE TRACES ALLOWED IN THIS AREA.
- MOUNTING HARDWARE REQUIRED:
 3X M2X0.4 - SCREW LENGTH = PCB THICKNESS + (2 TO 4).
- CUSTOMIZED PACKAGE SPEC:
 PLACE CONNCECTOR PIN FIELD DOWN IN PACKAGE.
- CUSTOMIZED PACKAGE SPEC:
 DESIGNED NEW HARD PACKAGE FOR CUSTOMER PROCESS. AND PLACE CONNCECTOR PIN FIELD DOWN IN PACKAGE.

8	W/O EMI SPRING AND W GASKET	2291931-7
	W/O EMI SPRING AND W GASKET	2291931-6
8	W EMI SPRING AND GASKET	2291931-5
8	W/O EMI SPRING AND GASKET	2291931-4
7	W/O EMI SPRING AND GASKET	2291931-3
	W/O EMI SPRING AND GASKET	2291931-2
	W EMI SPRING AND GASKET	2291931-1
	DESCRIPTION	PART NUMBER

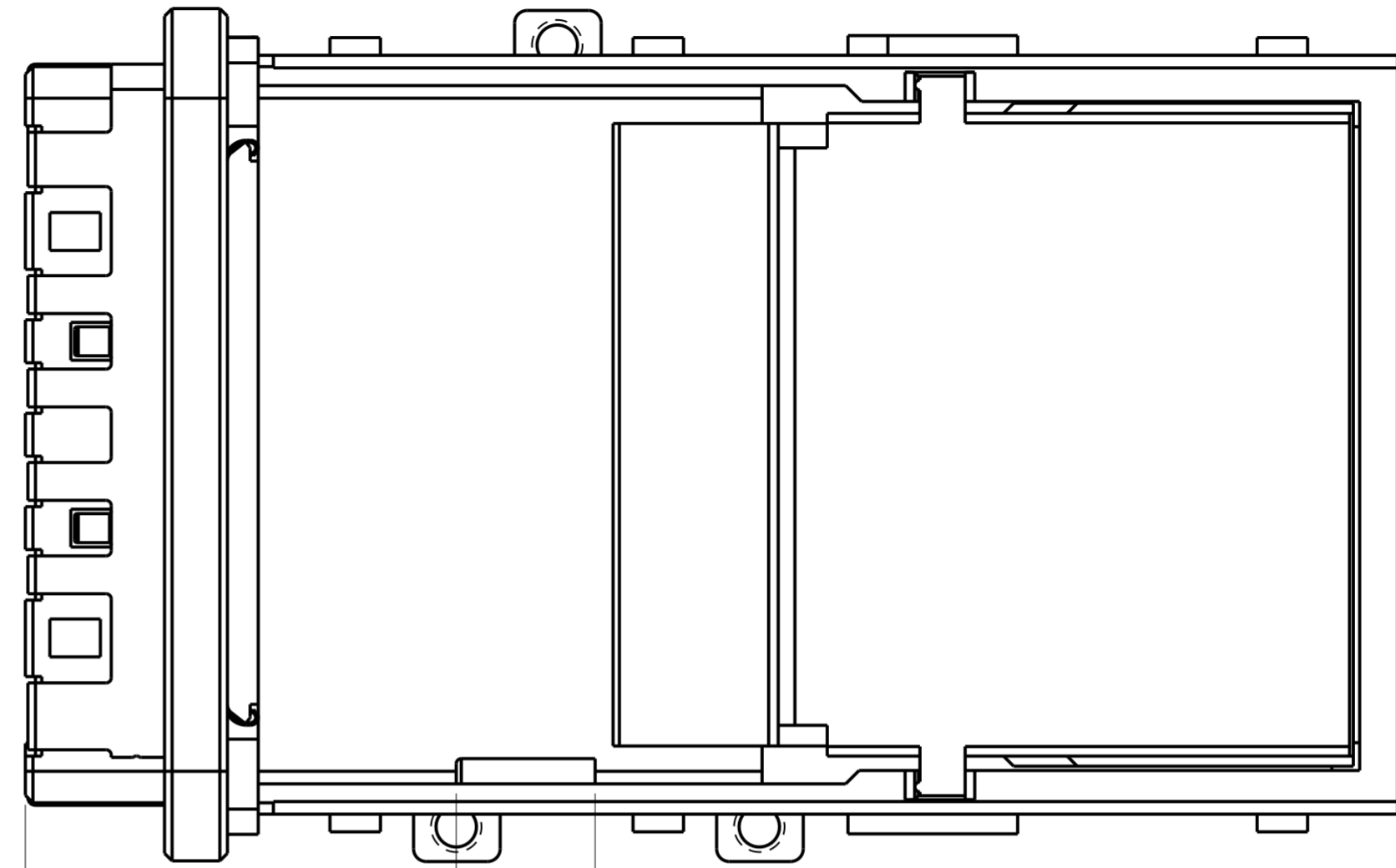
THIS DRAWING IS A CONTROLLED DOCUMENT.		DWN 30MAR2015 JASON YANG	TE Connectivity	
DIMENSIONS: mm		CHK 30MAR2015 SEAN HAN		
TOLERANCES UNLESS OTHERWISE SPECIFIED:		APVD 30MAR2015 SEAN HAN	NAME RECEPTACLE, STYLE 1, CDFP	
		PRODUCT SPEC 108-32065	SIZE A2	
MATERIAL -		APPLICATION SPEC 114-32114	CAGE CODE -	DRAWING NO. C-2291931
FINISH -		WEIGHT -	RESTRICTED TO -	SCALE 4:1
		CUSTOMER DRAWING	SHEET 1 OF 6	REV D1

THIS DRAWING IS UNPUBLISHED. RELEASED FOR PUBLICATION 20
 © COPYRIGHT 20 BY - ALL RIGHTS RESERVED.

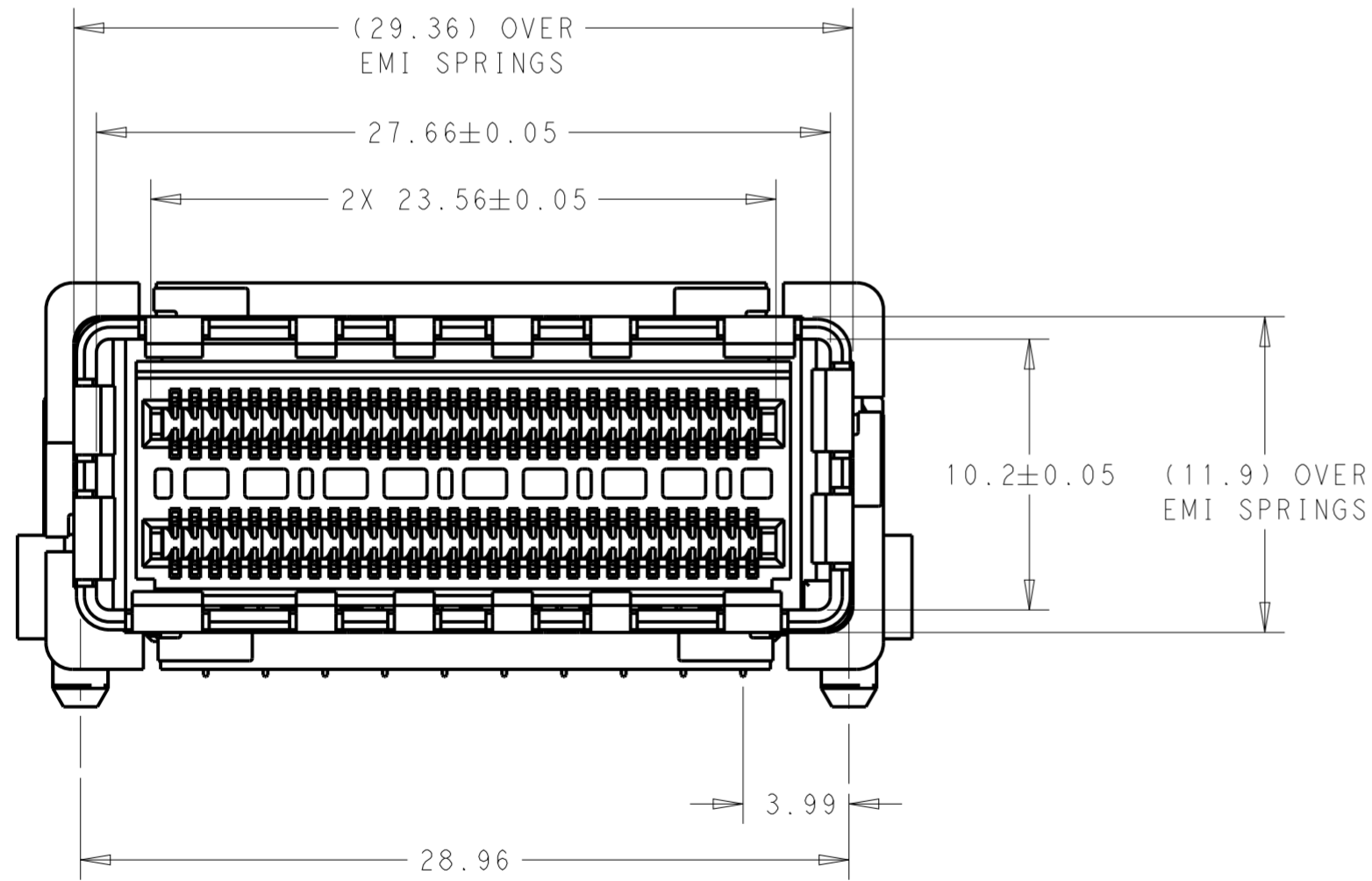
REVISIONS				
P	LTR	DESCRIPTION	DATE	APVD
-		SEE SHEET 1	-	-



2291931-1, -5 SHOWN
SCALE 3:1



17.06±0.13 KEY LOCATION
5.5±0.1 KEY LENGTH



(29.36) OVER EMI SPRINGS

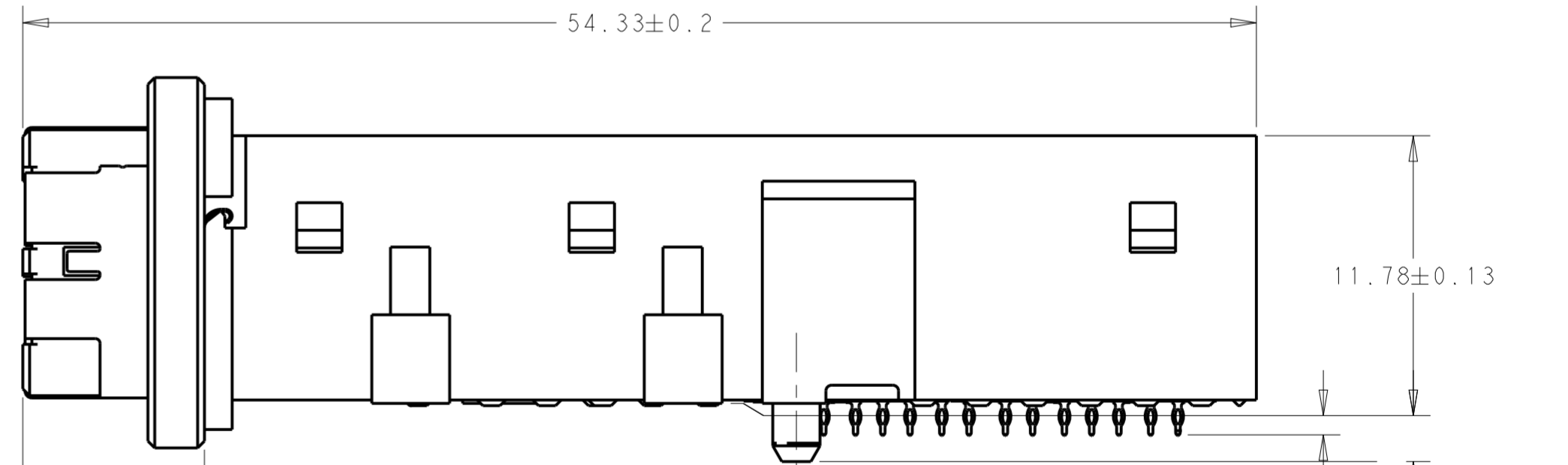
27.66±0.05

2X 23.56±0.05

10.2±0.05 (11.9) OVER EMI SPRINGS

3.99

28.96



54.33±0.2

11.78±0.13


8±0.13

34.07±0.13

∅ OF GUIDE POSTS AND FIRST ROW OF COMPLIANT PINS.

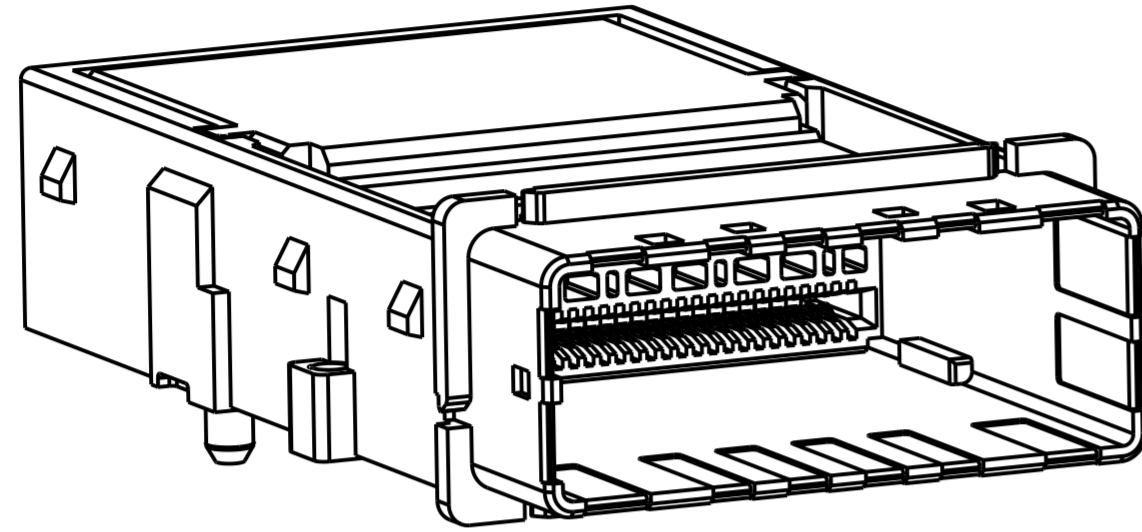
(1.38)

(2.56)

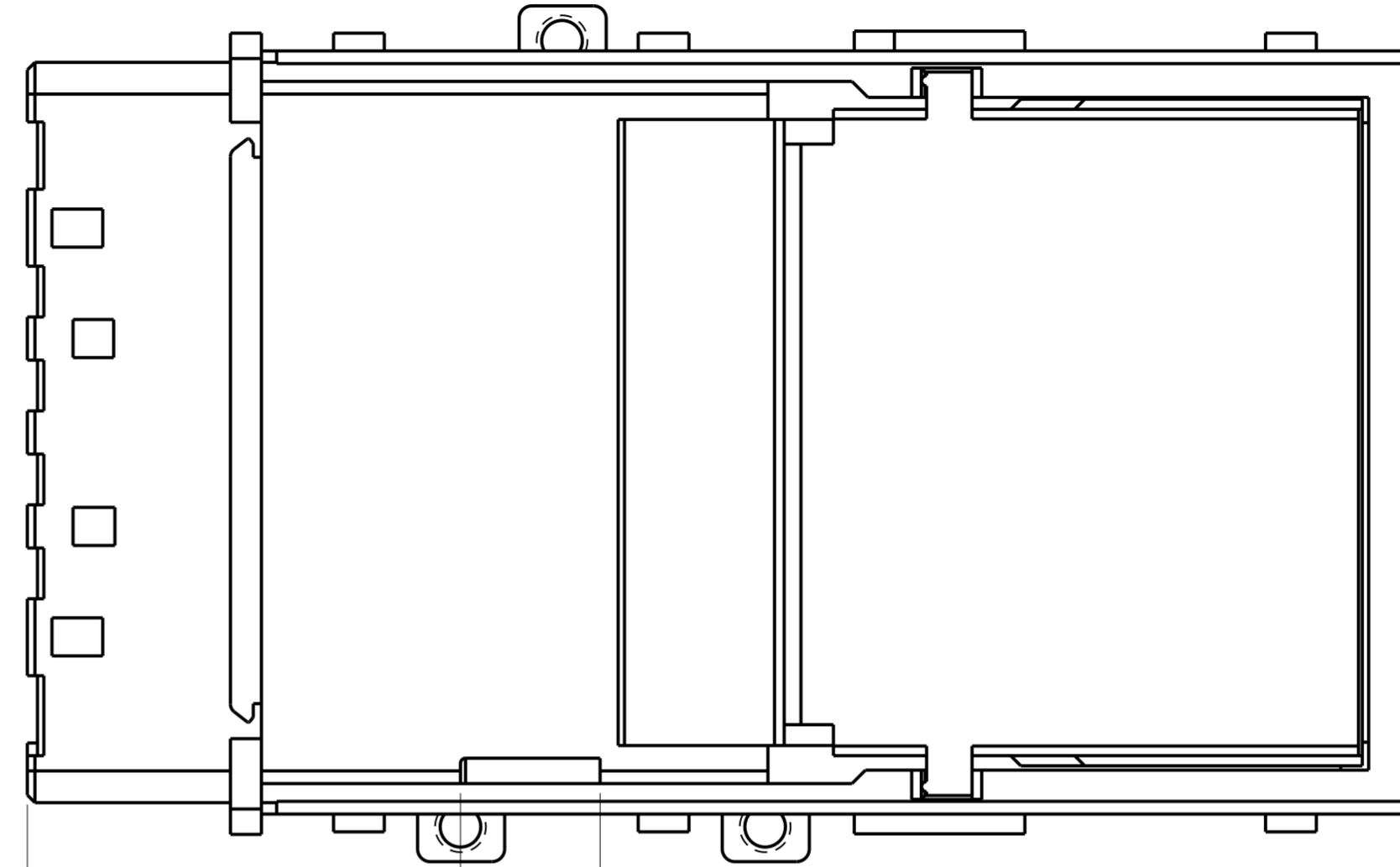
THIS DRAWING IS A CONTROLLED DOCUMENT.		DWN JASON YANG 30MAR2015	 TE Connectivity	
DIMENSIONS: mm		CHK SEAN HAN 30MAR2015		
TOLERANCES UNLESS OTHERWISE SPECIFIED:		APVD SEAN HAN 30MAR2015	NAME RECEPTACLE, STYLE 1, CDFP	
0 PLC ±0.25 1 PLC ±0.25 2 PLC ±0.20 3 PLC ±0.15 4 PLC ± ANGLES ± FINISH ±		PRODUCT SPEC 108-32065	SIZE A2	
MATERIAL -		APPLICATION SPEC 114-32114	CAGE CODE -	DRAWING NO. C-2291931
		WEIGHT -	RESTRICTED TO -	SCALE 4:1
		CUSTOMER DRAWING	SHEET 2 OF 6	REV D1

THIS DRAWING IS UNPUBLISHED. RELEASED FOR PUBLICATION 20
 © COPYRIGHT 20 BY - ALL RIGHTS RESERVED.

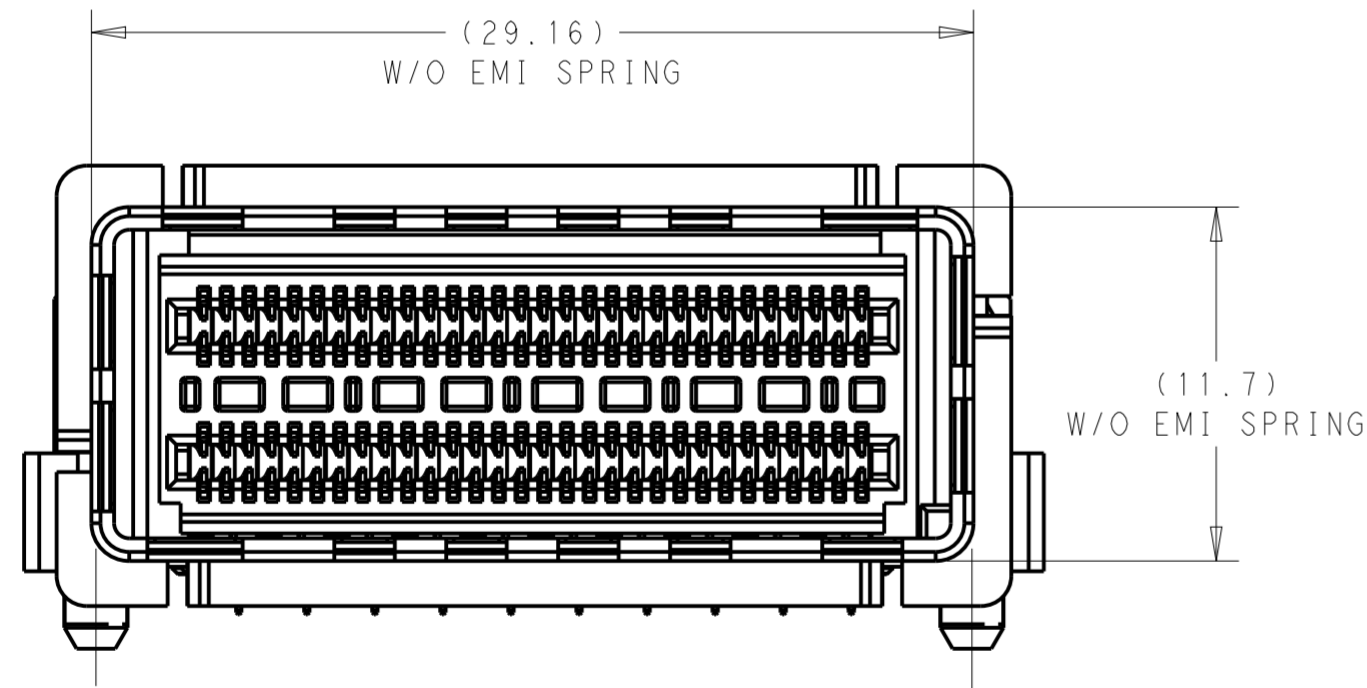
REVISIONS				
P	LTR	DESCRIPTION	DATE	APVD
-		SEE SHEET 1	-	-



2291931-2, -3, -4 SHOWN
 UNSPECIFIED DIMENSIONS ARE SAME AS 2291931-1
 SCALE 3:1

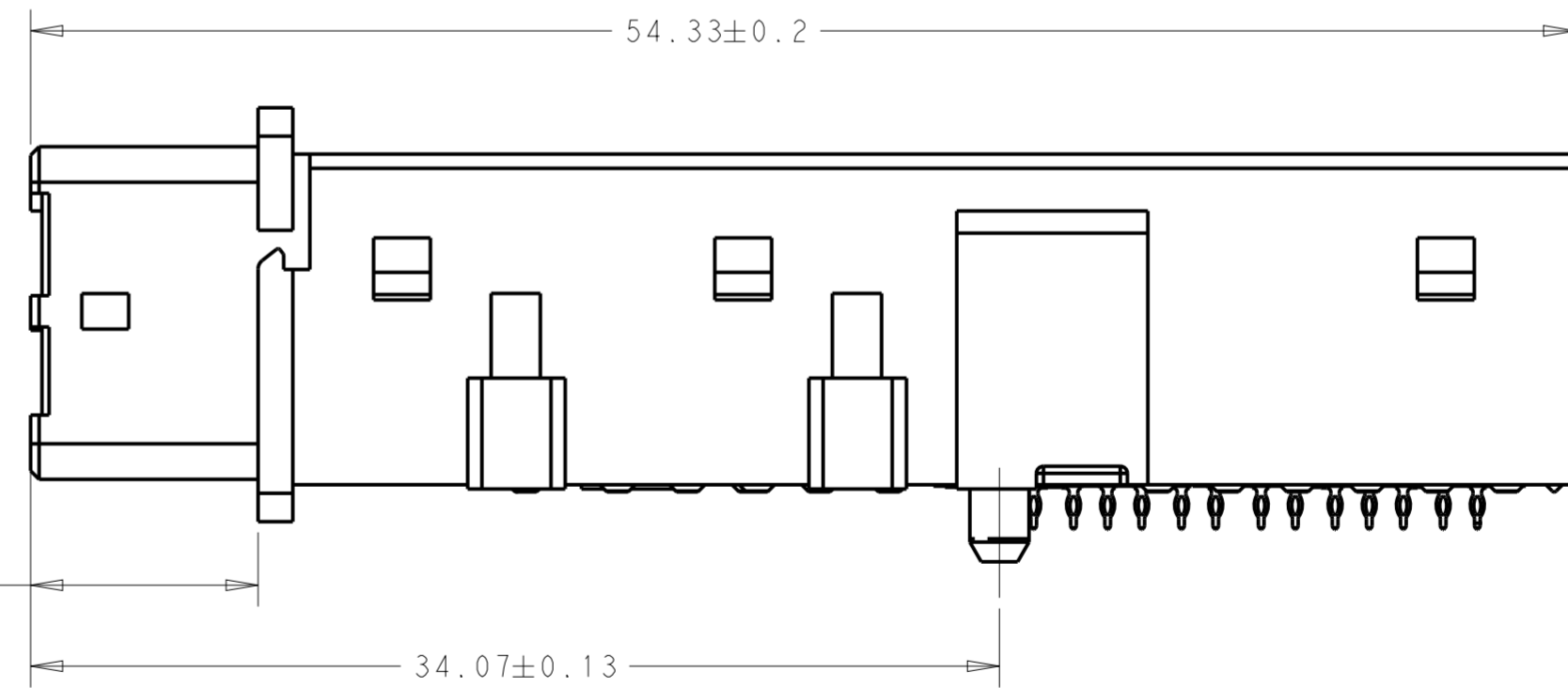


17.06±0.13 KEY LOCATION
 5.5±0.1 KEY LENGTH



(29.16)
 W/O EMI SPRING


(11.7)
 W/O EMI SPRING



8±0.13

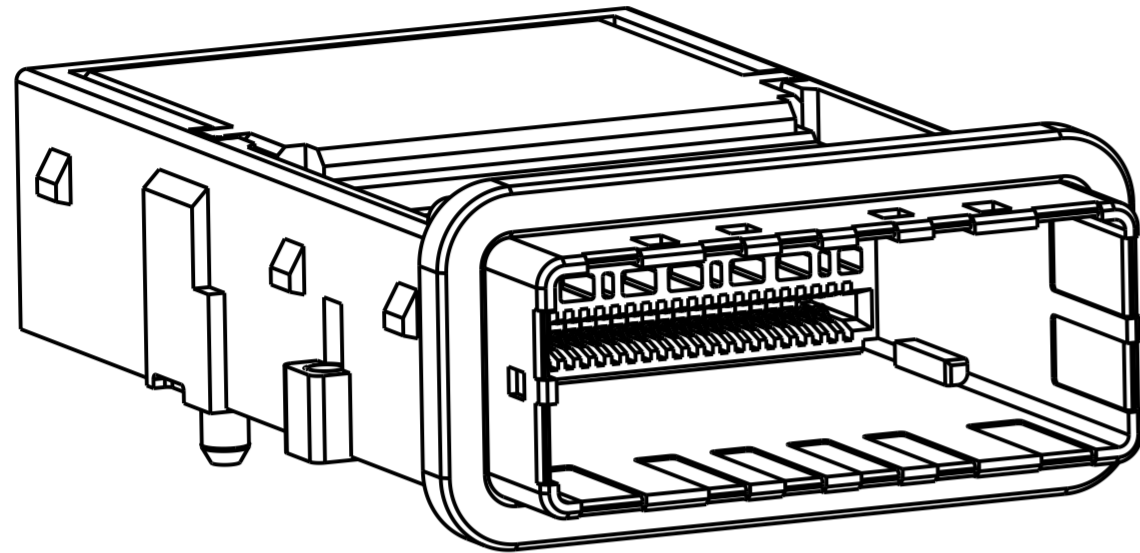
34.07±0.13

54.33±0.2

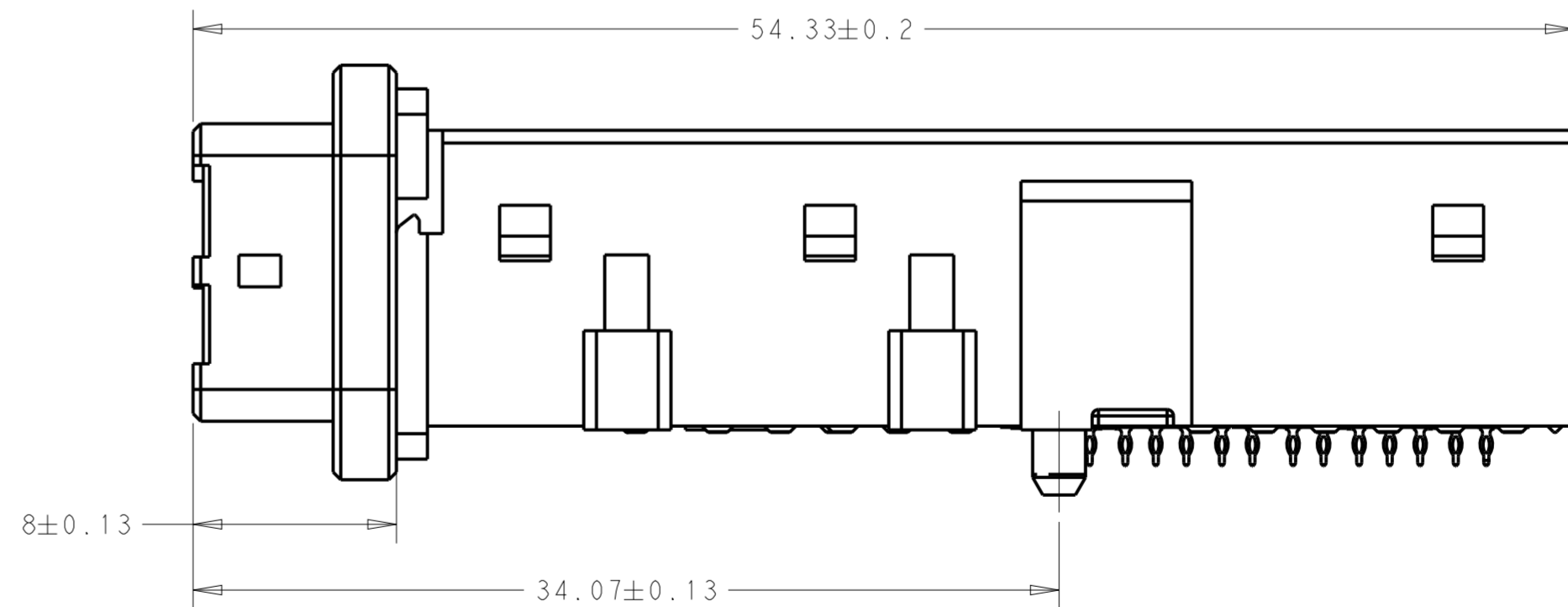
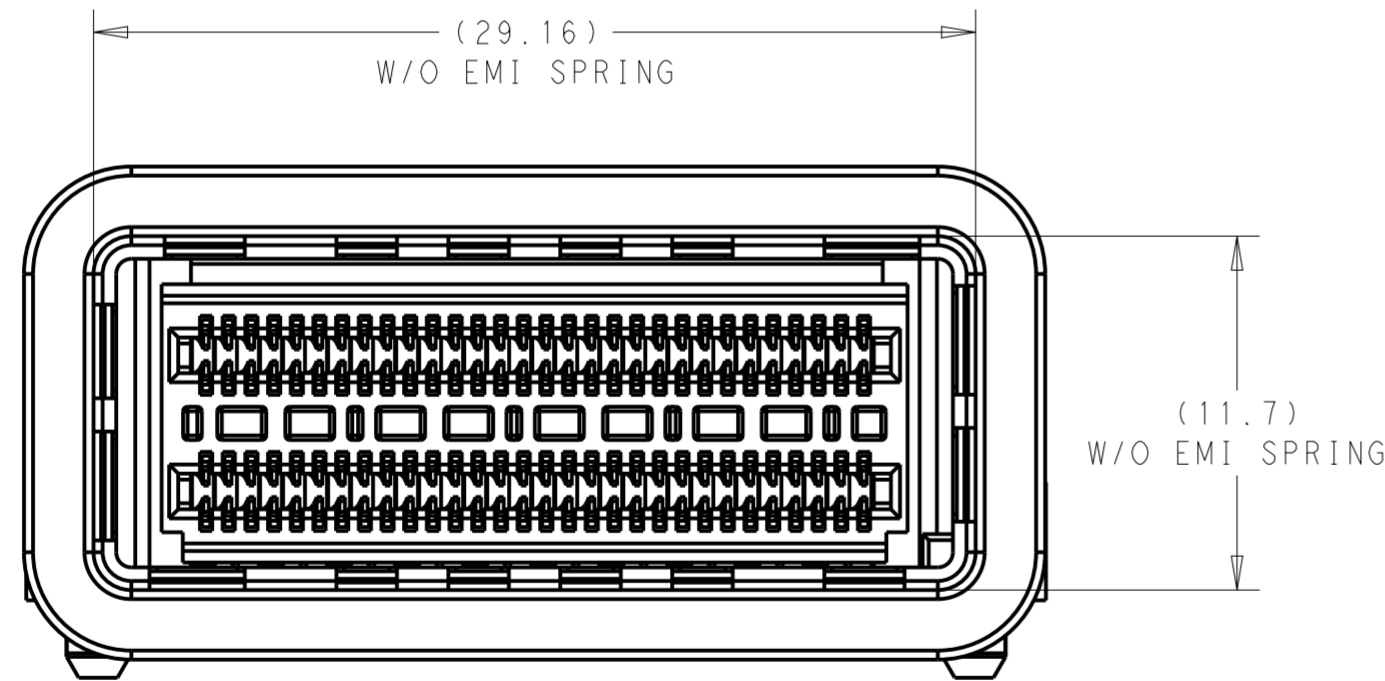
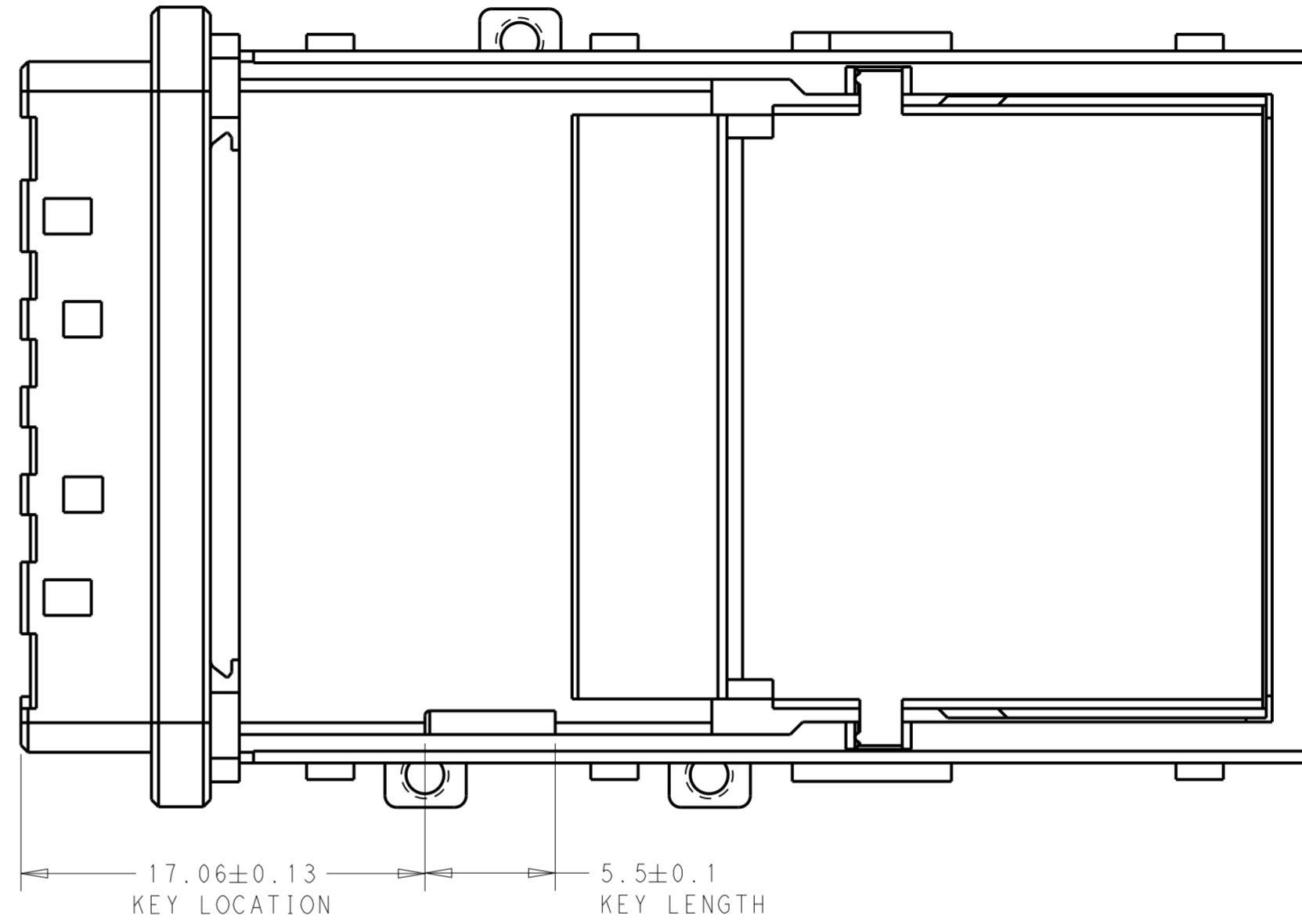
THIS DRAWING IS A CONTROLLED DOCUMENT.		DWN JASON YANG 30MAR2015	 TE Connectivity	
DIMENSIONS: mm		CHK SEAN HAN 30MAR2015		
TOLERANCES UNLESS OTHERWISE SPECIFIED:		APVD SEAN HAN 30MAR2015	NAME RECEPTACLE, STYLE 1, CDFP	
0 PLC ±0.25 1 PLC ±0.25 2 PLC ±0.20 3 PLC ±0.15 4 PLC ± ANGLES ± FINISH ±		PRODUCT SPEC 108-32065	SIZE A2	CAGE CODE -
MATERIAL -		APPLICATION SPEC 114-32114	DRAWING NO C-2291931	RESTRICTED TO -
		WEIGHT -	SCALE 4:1	SHEET 3 OF 6
		CUSTOMER DRAWING	REV D1	


THIS DRAWING IS UNPUBLISHED. RELEASED FOR PUBLICATION 20
 © COPYRIGHT 20 BY - ALL RIGHTS RESERVED.

REVISIONS				
P	LTR	DESCRIPTION	DATE	APVD
-		SEE SHEET 1	-	-



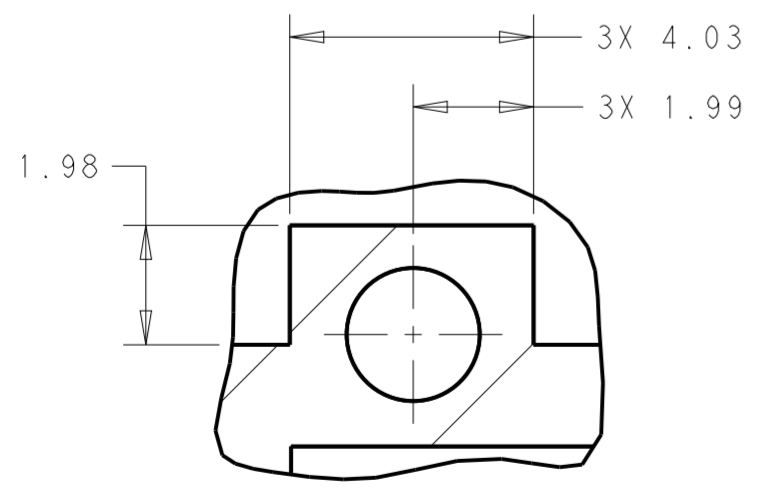
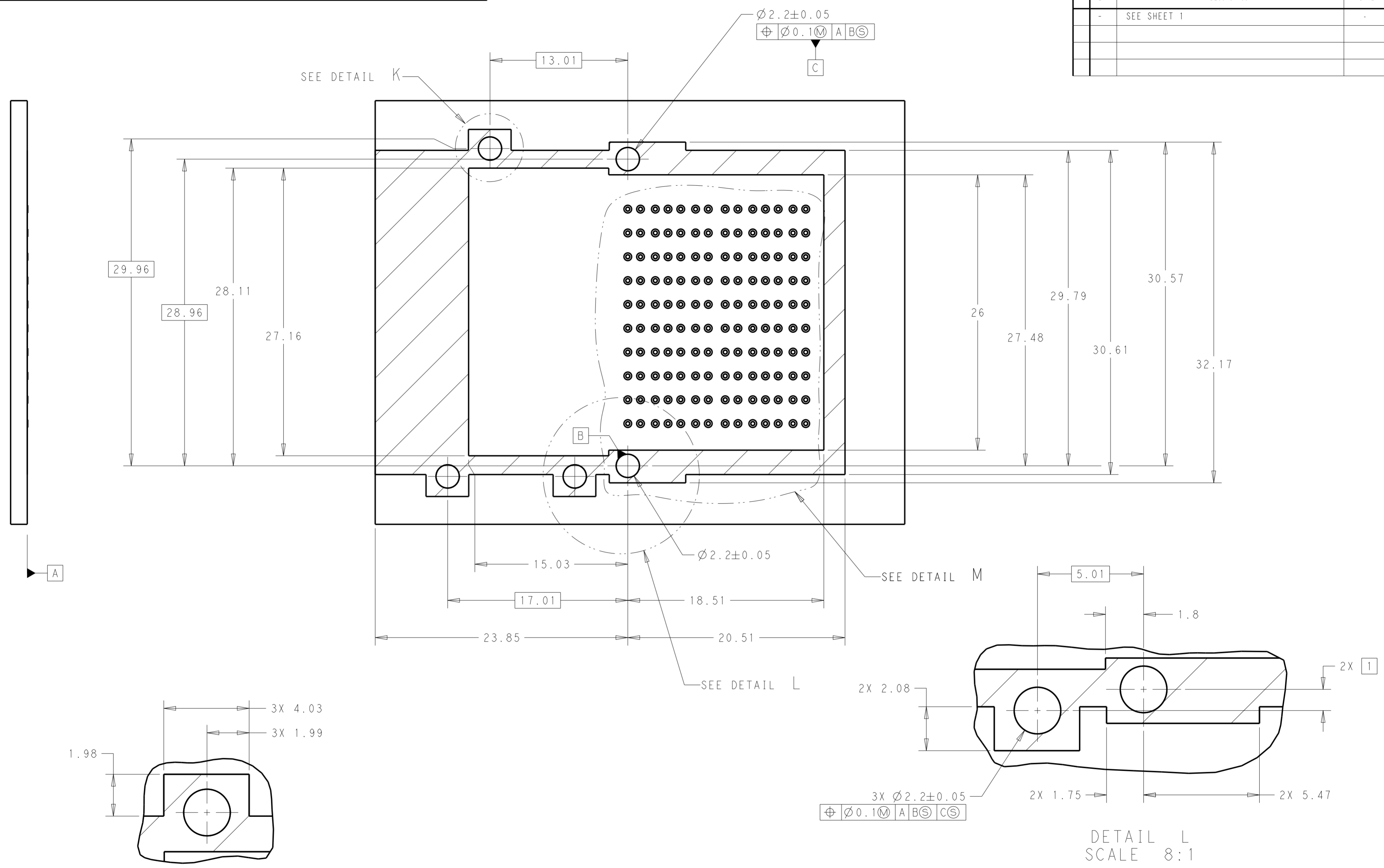
2291931-6/-7 SHOWN
 UNSPECIFIED DIMENSIONS ARE SAME AS 2291931-1
 SCALE 3:1



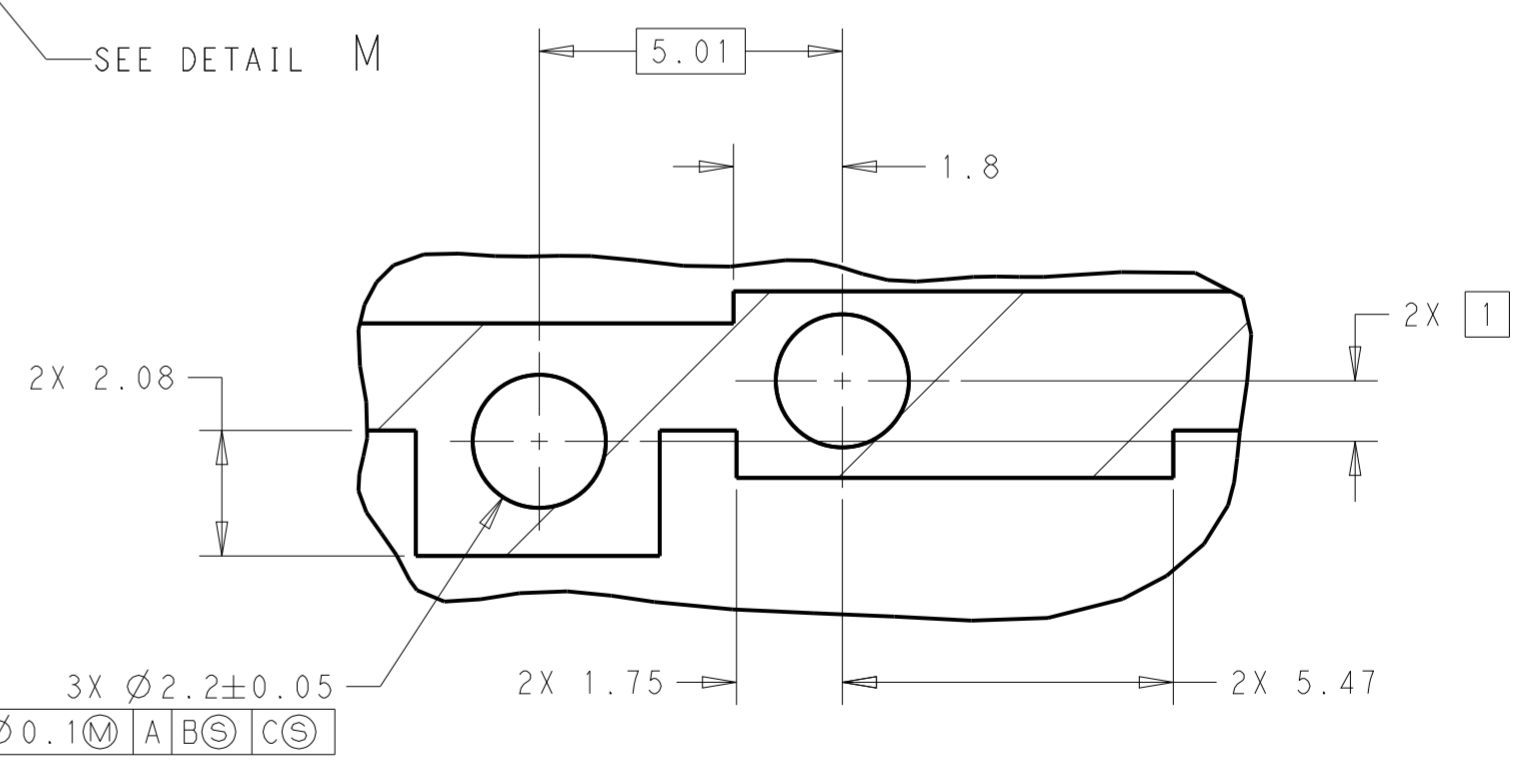
THIS DRAWING IS A CONTROLLED DOCUMENT.		DWN JASON YANG 30MAR2015	 TE Connectivity	
DIMENSIONS: mm		CHK SEAN HAN 30MAR2015		
TOLERANCES UNLESS OTHERWISE SPECIFIED:		APVD SEAN HAN 30MAR2015	NAME RECEPTACLE, STYLE 1, CDFP	
0 PLC ±0.25 1 PLC ±0.25 2 PLC ±0.20 3 PLC ±0.15 4 PLC ± ANGLES ± FINISH ±		PRODUCT SPEC 108-32065	SIZE A2	CAGE CODE -
MATERIAL -		APPLICATION SPEC 114-32114	DRAWING NO C-2291931	RESTRICTED TO -
		WEIGHT -	SCALE 4:1	SHEET 4 OF 6
		CUSTOMER DRAWING	REV D1	

THIS DRAWING IS UNPUBLISHED. RELEASED FOR PUBLICATION 20
 © COPYRIGHT 20 BY - ALL RIGHTS RESERVED.

REVISIONS				
P	LTR	DESCRIPTION	DATE	APVD
-		SEE SHEET 1	-	-



DETAIL K
SCALE 8:1

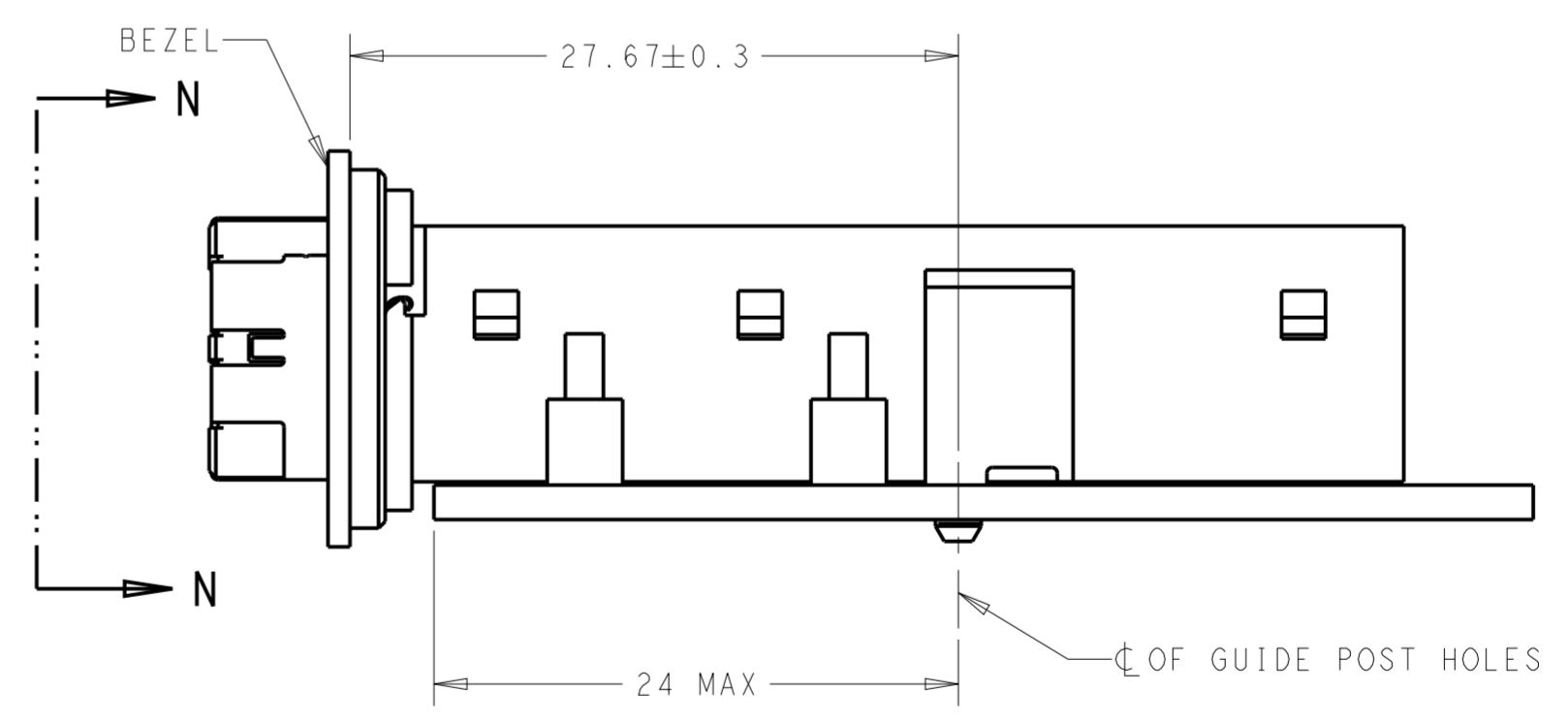
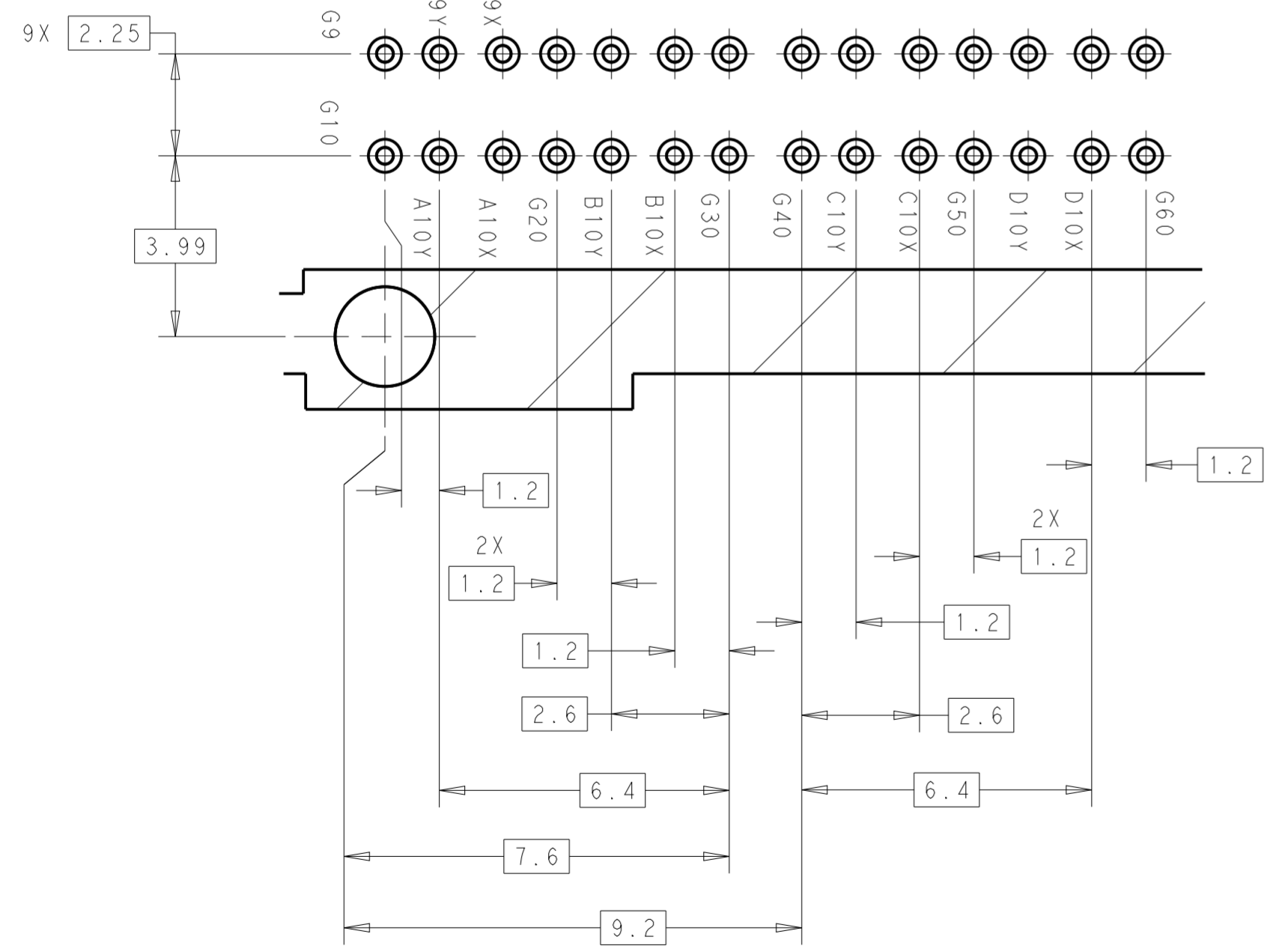
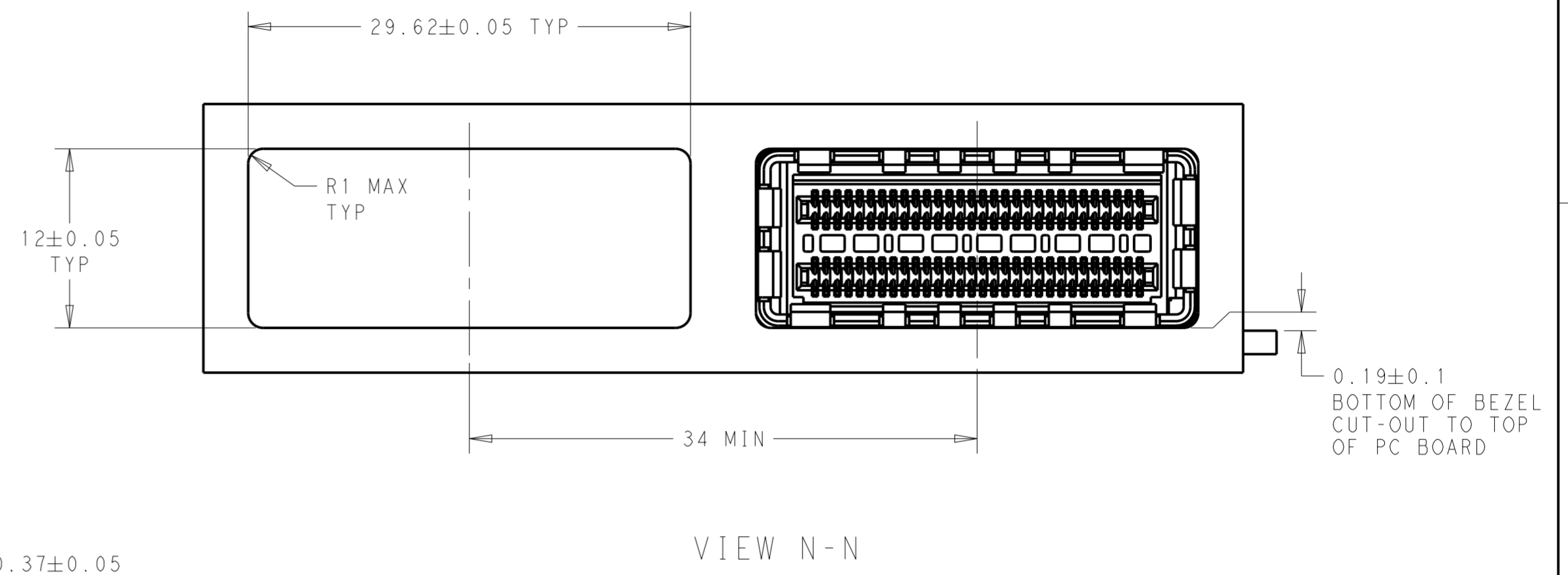
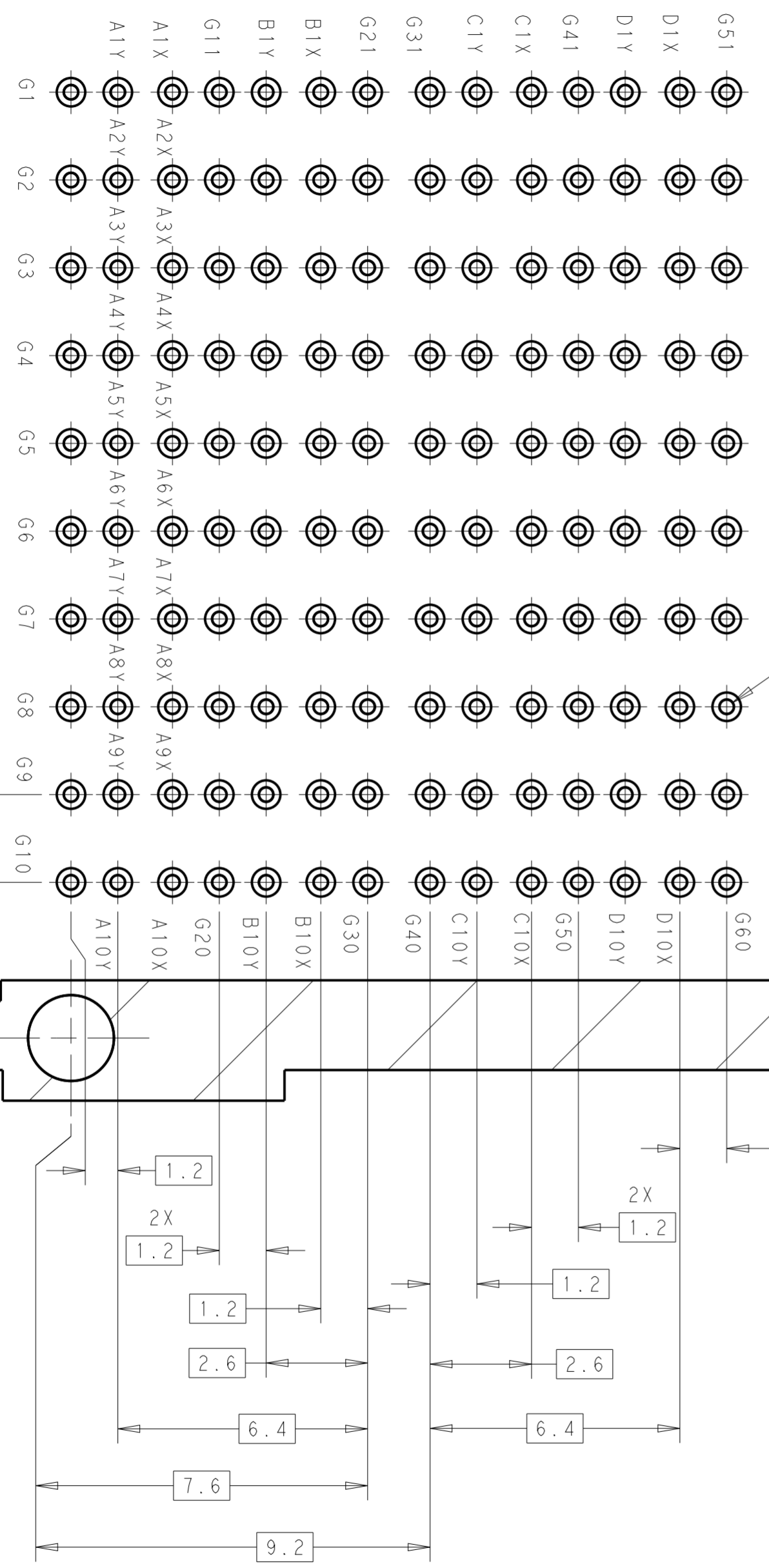


DETAIL L
SCALE 8:1

THIS DRAWING IS A CONTROLLED DOCUMENT.		DWN JASON YANG 30MAR2015	TE Connectivity	
		CHK SEAN HAN 30MAR2015		
		APVD SEAN HAN 30MAR2015	NAME RECEPTACLE, STYLE 1, CDFP	
DIMENSIONS:		PRODUCT SPEC		
mm		108-32065		
		APPLICATION SPEC		
		114-32114		
MATERIAL		WEIGHT		
-		-		
		CUSTOMER DRAWING		
		SIZE A2	CAGE CODE -	DRAWING NO. C-2291931
		SCALE 4:1	SHEET 5 OF 6	REV D1

THIS DRAWING IS UNPUBLISHED. RELEASED FOR PUBLICATION 20
 © COPYRIGHT 20 BY - ALL RIGHTS RESERVED.

REVISIONS				
P	LTR	DESCRIPTION	DATE	APVD
-	-	SEE SHEET 1	-	-



DETAIL M
SCALE 8:1

THIS DRAWING IS A CONTROLLED DOCUMENT.		DWN JASON YANG 30MAR2015	TE Connectivity	
DIMENSIONS: mm		CHK SEAN HAN 30MAR2015		
TOLERANCES UNLESS OTHERWISE SPECIFIED:		APVD SEAN HAN 30MAR2015	NAME RECEPTACLE, STYLE 1, CDFP	
0 PLC ±0.25	1 PLC ±0.25	PRODUCT SPEC 108-32065	SIZE A2	CAGE CODE -
2 PLC ±0.20	3 PLC ±0.15	APPLICATION SPEC 114-32114	DRAWING NO C-2291931	RESTRICTED TO -
4 PLC ±	ANGLES ±	WEIGHT -	SCALE 4:1	SHEET 6 OF 6
MATERIAL -	FINISH -	CUSTOMER DRAWING	REV D1	

X-ON Electronics

Largest Supplier of Electrical and Electronic Components

Click to view similar products for [I/O Connectors](#) category:

Click to view products by [TE Connectivity](#) manufacturer:

Other Similar products are found below :

[571763P](#) [58098-0628](#) [72.250.1628.2](#) [72.250.2428.2](#) [74720-0505](#) [76.350.0729.0](#) [76871-1403](#) [FCN-244F080-G/1](#) [FCN-260A9920](#) [PCR-E36PM](#) [PCS-XE26MA+](#) [G38A71314B](#) [1571250010](#) [157-22500-3](#) [MS3471L14-19P L/C](#) [172501-4002](#) [172501-6002](#) [FCN-260C008-A/L0](#) [FCN-260C024-AL0](#) [FCN-261Z008](#) [2000314-1](#) [200331-1](#) [PCR-E36FC+](#) [PCS-E28FS+](#) [PCS-XE26SLFD+](#) [PCS-XE26SLFDT+](#) [G730VID08BDC24](#) [U90B2054081210](#) [38113800006](#) [DP3AR020WQ1R200](#) [Z4.102.0680.0](#) [500-1040](#) [500-1052](#) [500-1054](#) [ZP-4008-66L](#) [0709821002](#) [DX40-20P\(55\)](#) [5554841-1](#) [MS3474W18-8P-LC*](#) [U90B3054061110](#) [U65-E04-4020](#) [ZPF000000000097891](#) [747360449](#) [10099439-003C-TRLF](#) [10137239-0021LF](#) [E9320-001-01](#) [10137239-0011LF](#) [70289-001LF](#) [70.060.1028.0](#) [109029-ZZ](#)