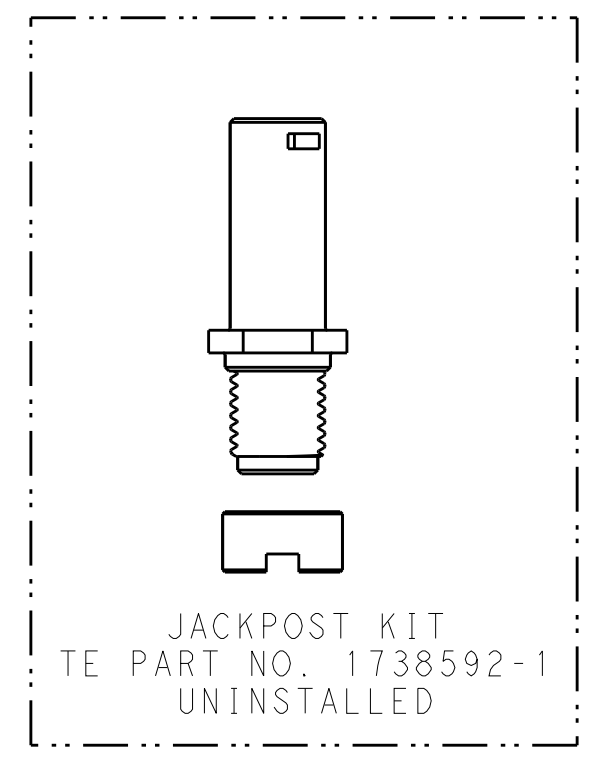
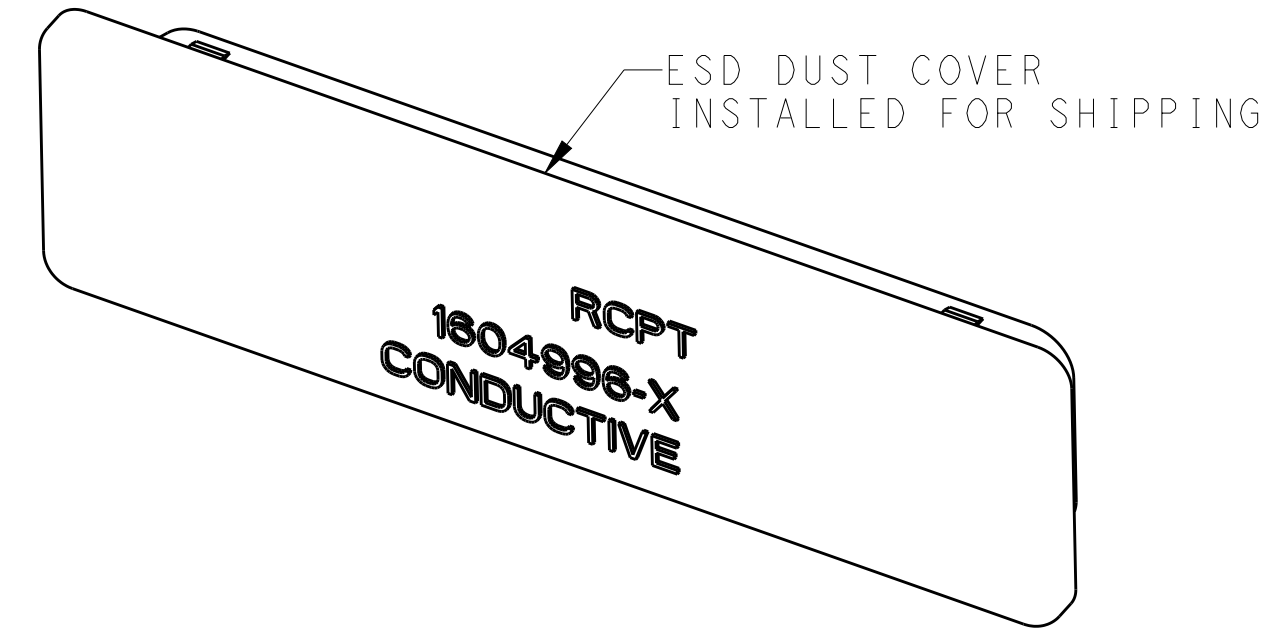
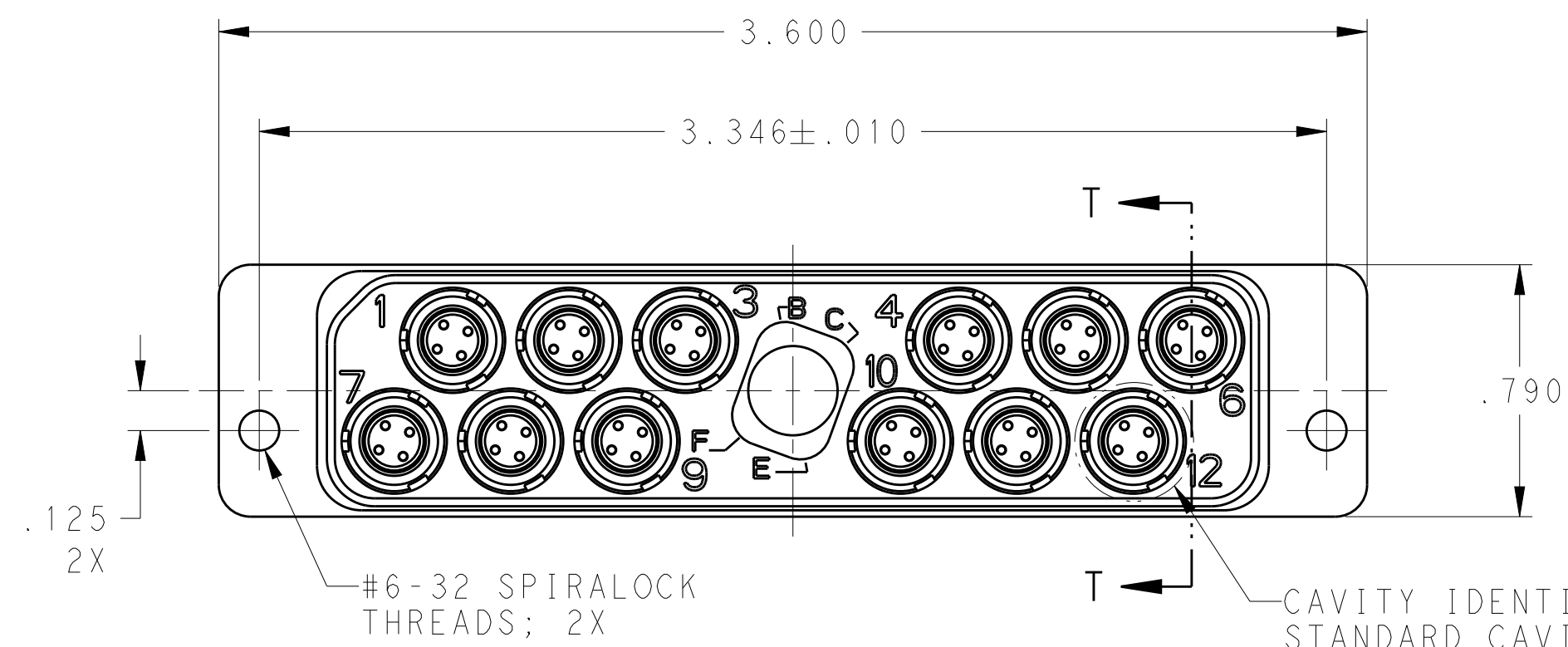


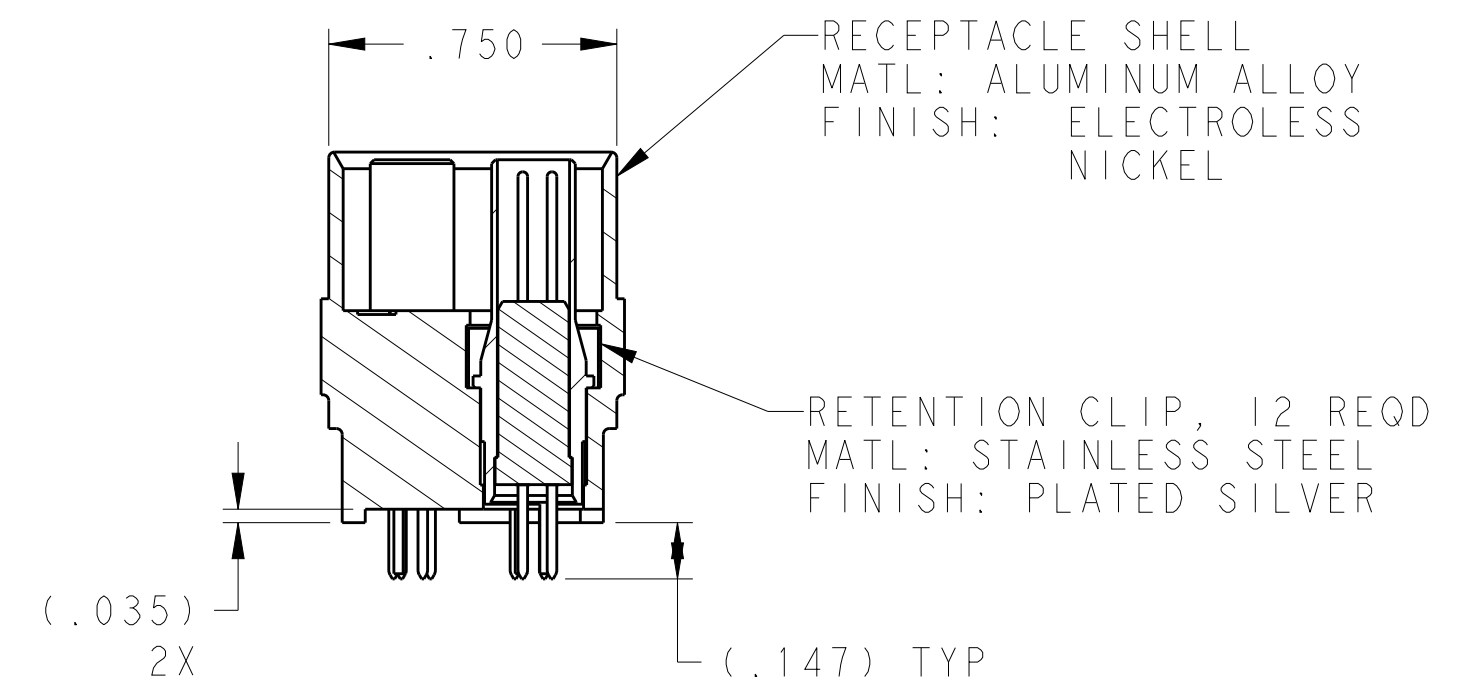
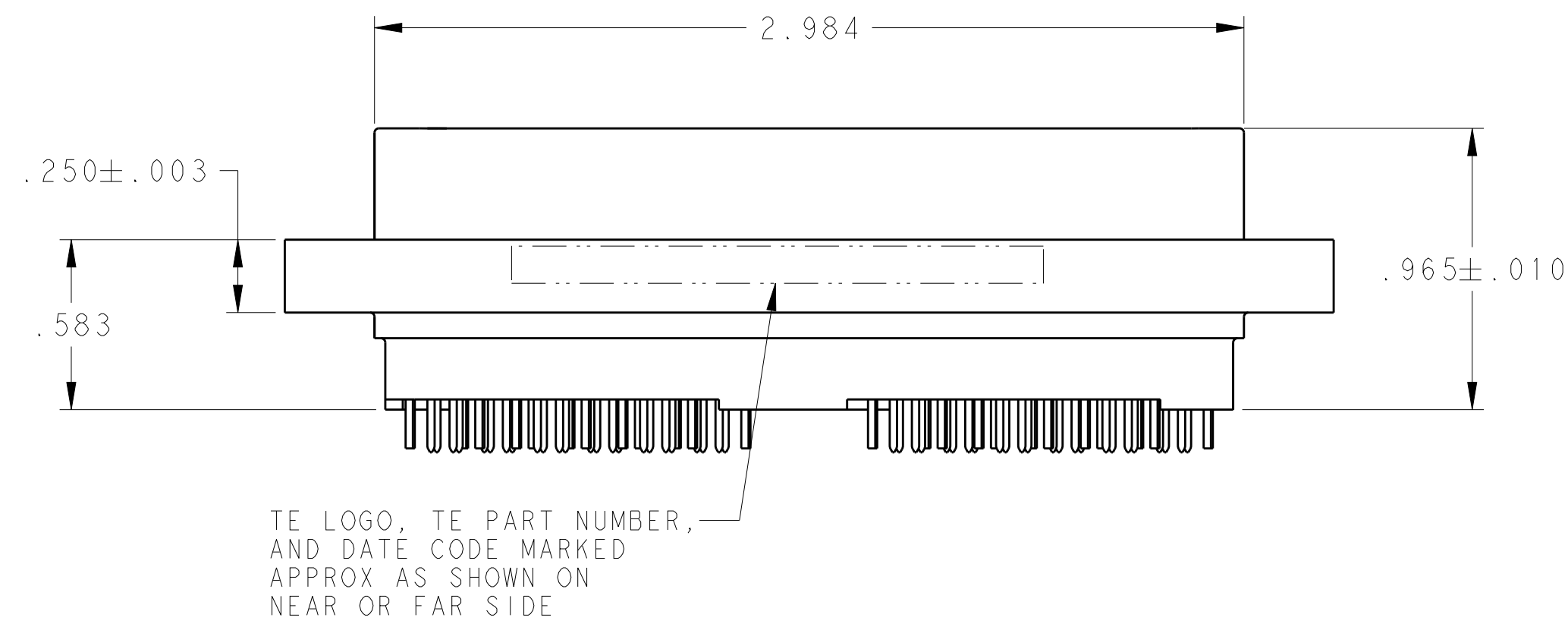
THIS DRAWING IS UNPUBLISHED. RELEASED FOR PUBLICATION
 © COPYRIGHT - BY - ALL RIGHTS RESERVED.

REVISIONS				
P	LTR	DESCRIPTION	DATE	APVD
A		RELEASED	6-18-15	CT DM

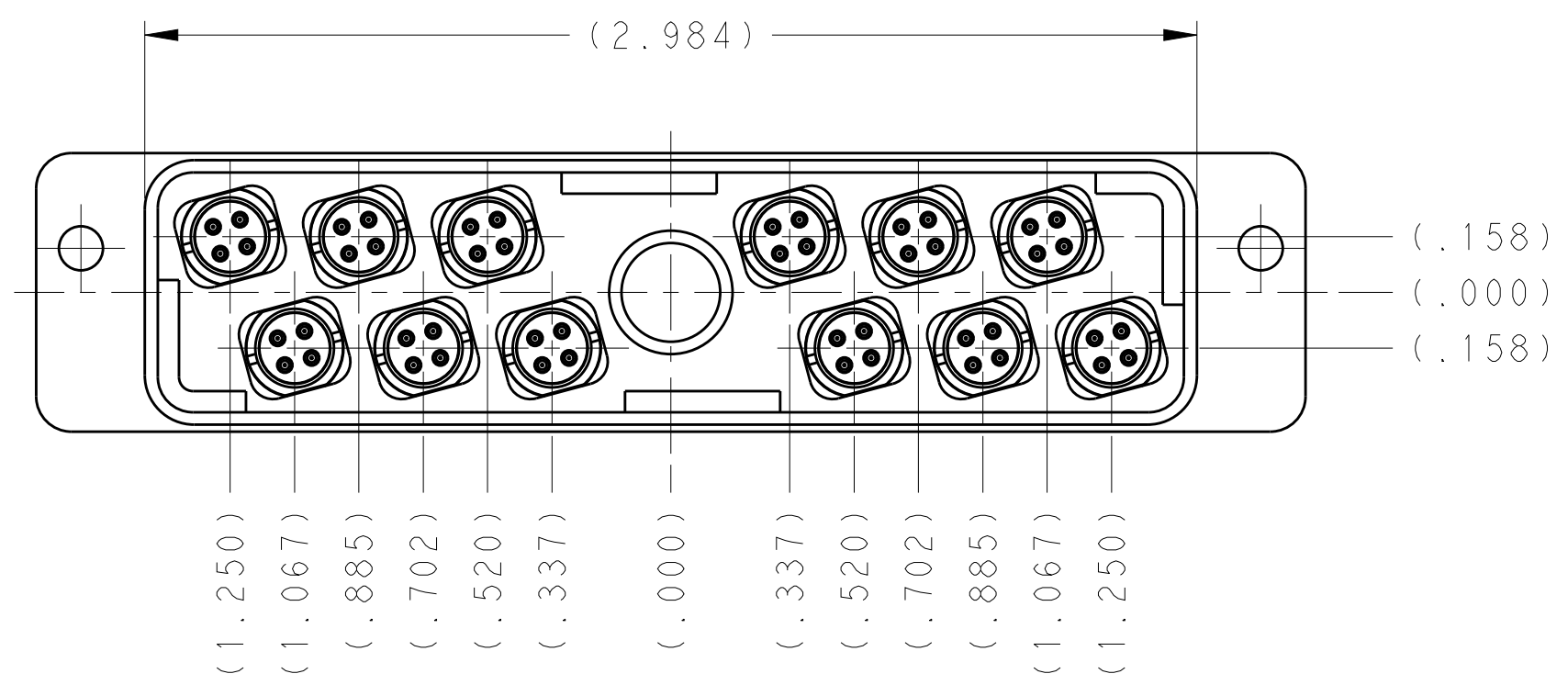


CAVITY IDENTIFICATION FOR STANDARD CAVITY LAYOUT PER 114-13123, PAGE 10, FIG 8. (SEE SHEET #2)

SCALE 2:1



SECTION T-T



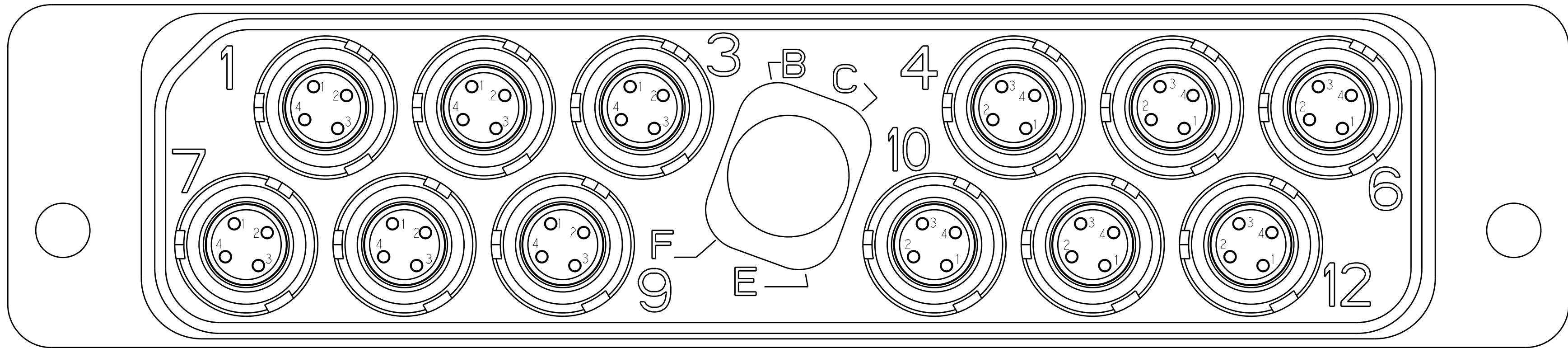
1445626-3	INSTALLED FOR SHIPPING	WITH JACKPOST UNINSTALLED	2292025-1
CONTACTS INSTALLED	DUST COVER P/N 1604996-1	DESCRIPTION	PART NO.

THIS DRAWING IS A CONTROLLED DOCUMENT. DIMENSIONING and TOLERANCING PER ASME Y14.5M (ISO STANDARDS)		DWN C.C. THOMAS 27 APR 2015	TE Connectivity
DIMENSIONS: INCHES		CHK D. MILLER 4-27-15	
TOLERANCES UNLESS OTHERWISE SPECIFIED:		APVD D. MILLER 4-27-15	
0 PLC ± 1 PLC ± 2 PLC ± 3 PLC ±.005 4 PLC ± ANGLES ± FINISH SEE CALLOUTS		NAME ASSEMBLY, RECEPTACLE, QUADRAX PWB MOUNT, 12 POSITION, MODIFIED FLANGE SIZE A2 CAGE CODE 00779 DRAWING NO. C-2292025 RESTRICTED TO -	
MATERIAL SEE CALLOUTS	PRODUCT SPEC -	APPLICATION SPEC 114-13123	SCALE 2:1
CUSTOMER DRAWING		WEIGHT -	SHEET 1 OF 2
			REV A


REFERENCE APPLICATION SPEC. FOR RECOMMENDED BOARD LAYOUT

THIS DRAWING IS UNPUBLISHED. RELEASED FOR PUBLICATION
 © COPYRIGHT - BY - ALL RIGHTS RESERVED.

REVISIONS				
P	LTR	DESCRIPTION	DATE	APVD
-		SEE SHEET 1	-	-



CAVITY LAYOUT VIEW
 SCALE 5:1

THIS DRAWING IS A CONTROLLED DOCUMENT.		DWN C.C. THOMAS 27 APR 2015	 TE Connectivity	
DIMENSIONS: INCHES		CHK D. MILLER 4-27-15		
TOLERANCES UNLESS OTHERWISE SPECIFIED:		APVD D. MILLER 4-27-15	NAME ASSEMBLY, RECEPTACLE, QUADRAX PWB MOUNT, 12 POSITION, MODIFIED FLANGE	
0 PLC ± 1 PLC ± 2 PLC ± 3 PLC ±.005 4 PLC ± ANGLES ± FINISH		PRODUCT SPEC -	SIZE A200779	
MATERIAL SEE CALLOUTS		APPLICATION SPEC 114-13123	DRAWING NO C-2292025	
FINISH SEE CALLOUTS		WEIGHT -	RESTRICTED TO -	
		CUSTOMER DRAWING	SCALE 2:1	SHEET 2 OF 2
			REV A	

X-ON Electronics

Largest Supplier of Electrical and Electronic Components

Click to view similar products for [Rack & Panel Connectors](#) category:

Click to view products by [TE Connectivity](#) manufacturer:

Other Similar products are found below :

[00170420102](#) [00171420202](#) [00171440002](#) [008026165000265](#) [00-8219-072-000-112P44](#) [008219072000112P5](#) [008219072000112P61](#) [00-8223-096-580-102](#) [02-014-013-5200-000](#) [00-8129-015-610-108](#) [613467-000](#) [CTJ112E01E-513](#) [CTJ116E03A-513](#) [M81714/63-22S L/C](#) [M81714/65-12-1](#) [66020-2](#) [CW8958-000](#) [699886-000](#) [D250-50632](#) [70.400.3240.0](#) [70.955.2453.3](#) [733753-000](#) [F22831-000](#) [780-522-DPX34RG8-02](#) [MMA25-0051R1](#) [MMA25-0341D1](#) [8660-501](#) [87.060.0053.0](#) [900709N001](#) [QRP4-12P-C\(01\)](#) [QR/P6-6S-C\(01\)](#) [AC-600003-004](#) [1218600-1](#) [D-659-0061](#) [DMC-MD 24 C-T](#) [1-445717-6](#) [1484398-2](#) [1484399-2](#) [1484469-2](#) [MR-34MG](#) [1484225-1](#) [1484398-1](#) [1484510-4](#) [1604997-2](#) [1663130-1](#) [1663767-7](#) [1663767-8](#) [MTC100-BF1-P31CS015](#) [MTC100-KT2-0083](#) [MTC100-KT2-0123-003](#)