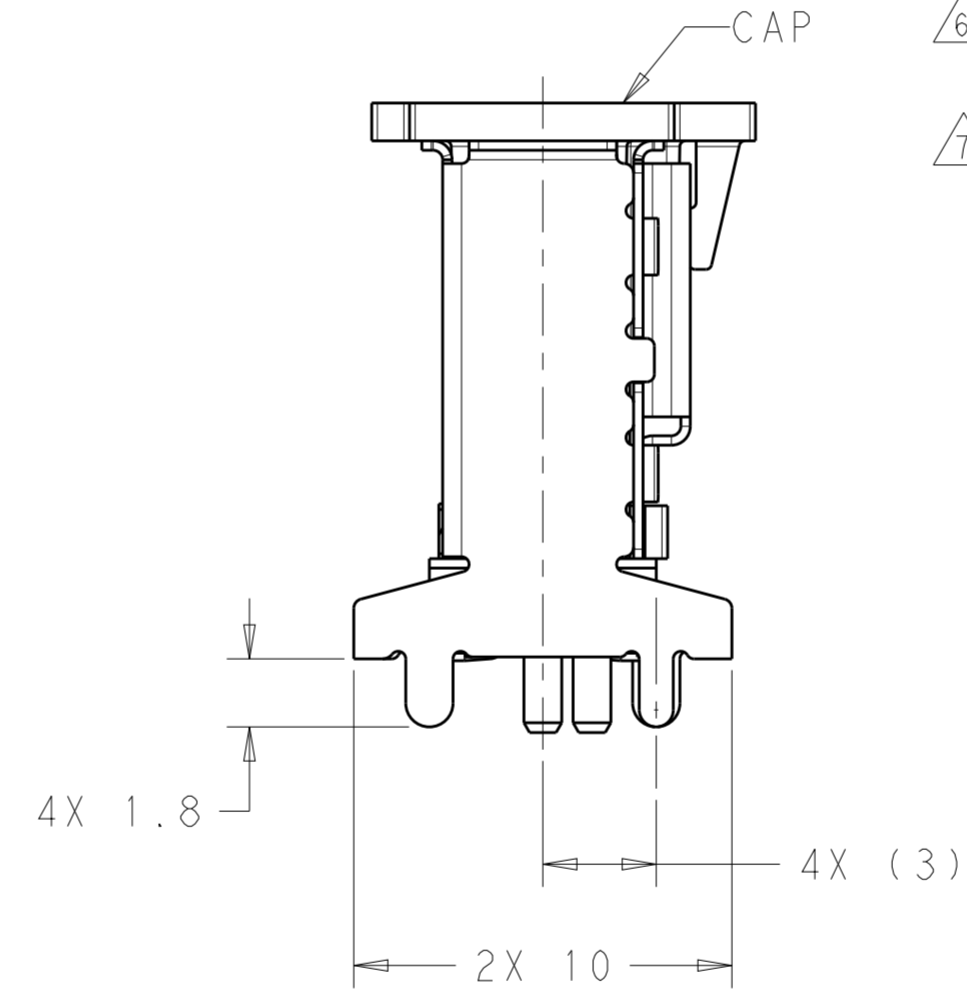
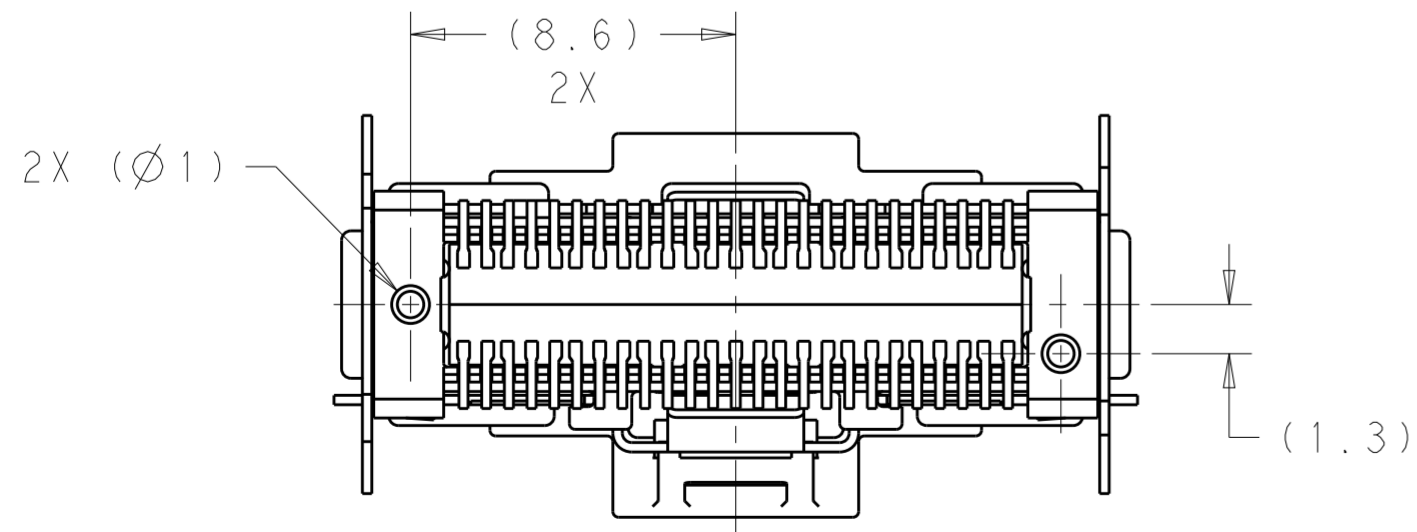
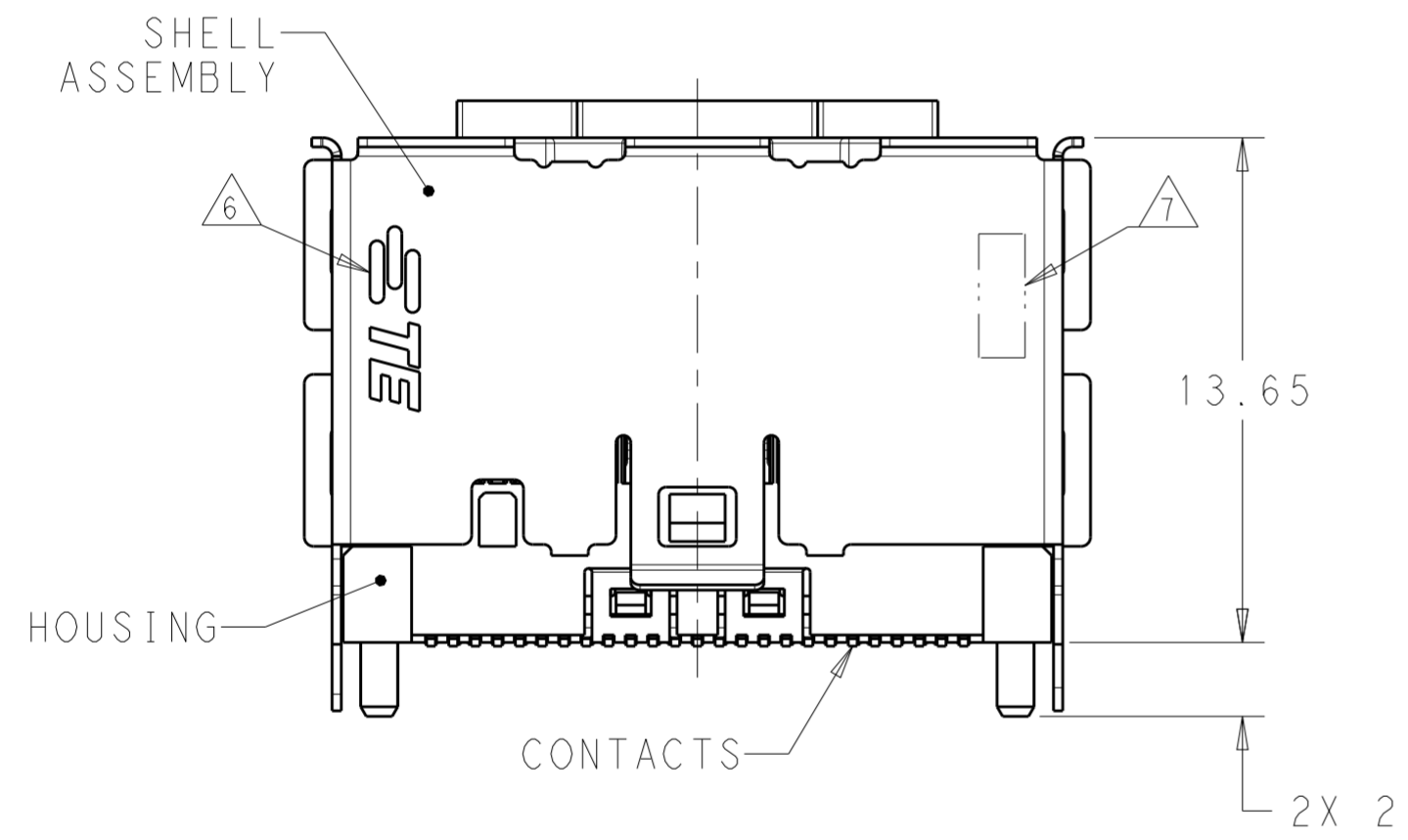
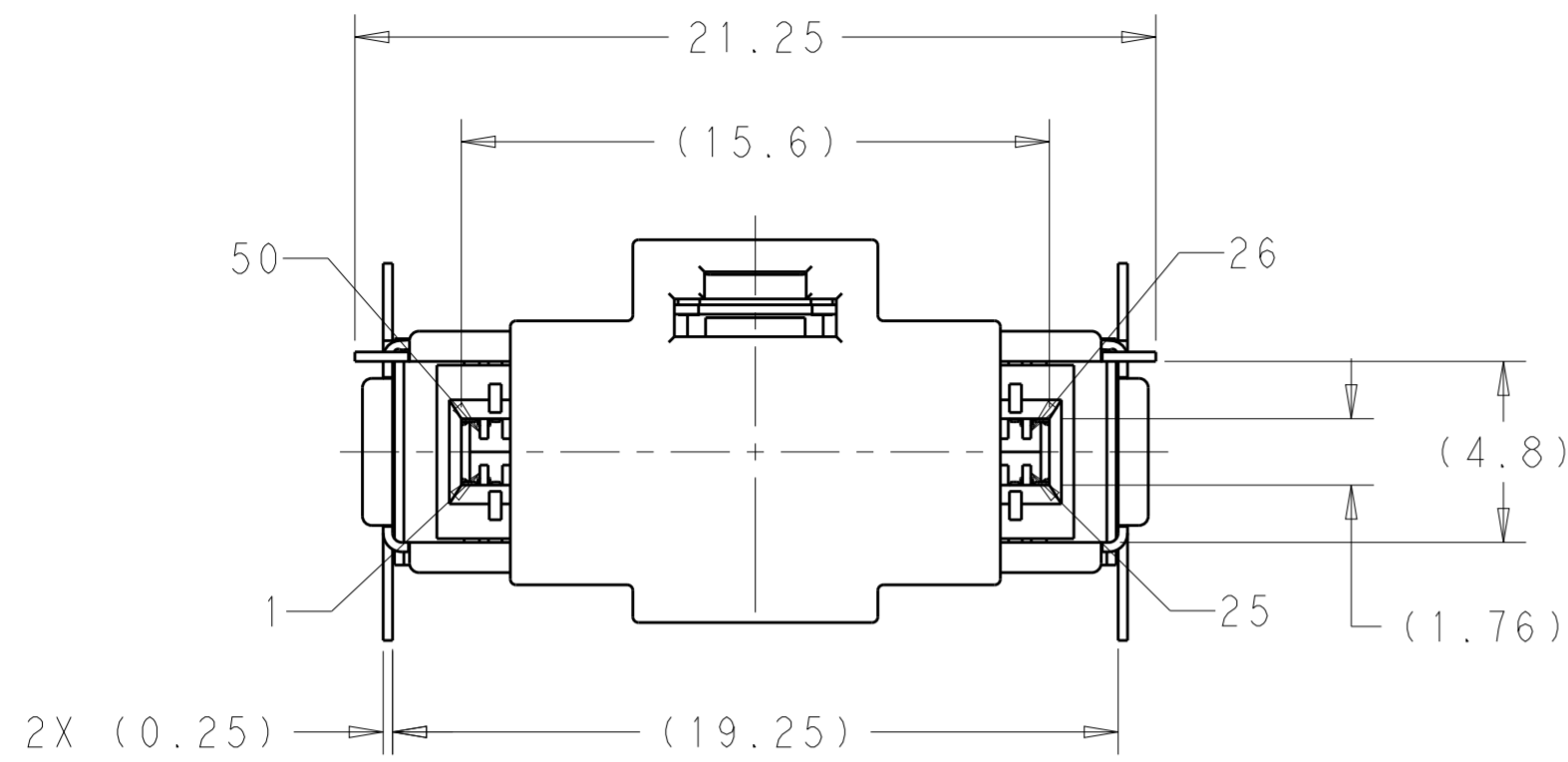


THIS DRAWING IS UNPUBLISHED. RELEASED FOR PUBLICATION 20  
 © COPYRIGHT 20 BY - ALL RIGHTS RESERVED.

REVISIONS					
P	LTR	DESCRIPTION	DATE	DWN	APVD
A		RELEASED PER ECO-17-008656	15JUN2017	CJV	EDB
B		REVISED PER ECO-17-014247	21SEP2017	MS	MP
C		REVISED PER ECO-19-011393	23JUL2019	TX	DZ



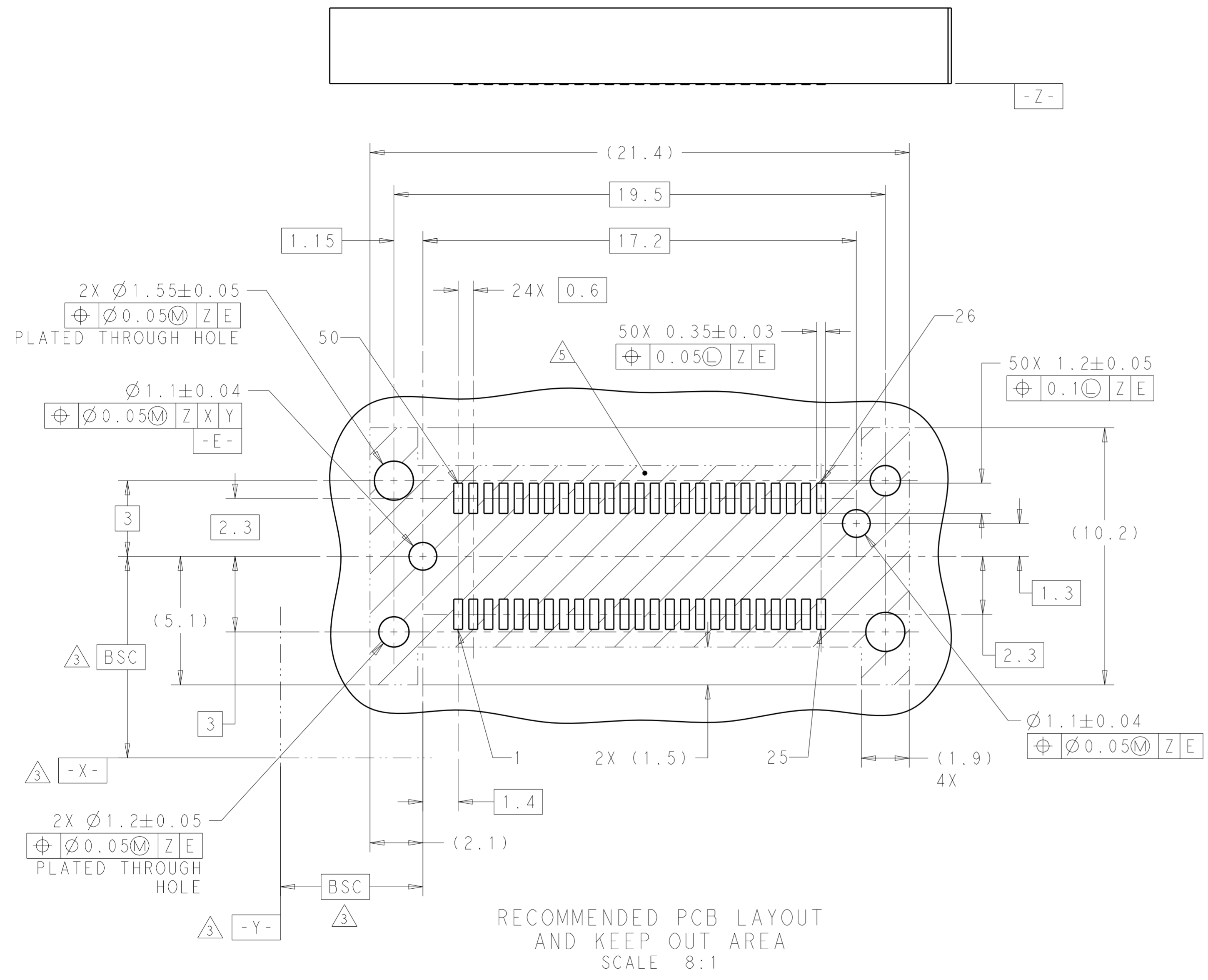
- ① HOUSING AND CONTACT OVERMOLD: LCP, BLACK.  
CAP: LCP, BLACK.  
CONTACTS: COPPER ALLOY.  
SHELL ASSEMBLY: COPPER ALLOY, NICKEL PLATED.  
TIN PLATED ON HOLD DOWNS.
- ② 0.76µm MIN. GOLD PLATED ON MATING INTERFACE.  
2.54µm MIN. MATTE TIN PLATED ON SOLDER TAILS.  
BOTH OVER 1.27µm MIN. NICKEL ALL OVER.
- ③ DATUM AND BASIC DIMENSION ESTABLISHED BY CUSTOMER.
- ④ DESIGNED FOR A 1.42 MIN THICK PC BOARD.
- ⑤ RECOMMENDED COMPONENT KEEP OUT AREA.
- ⑥ TE CONNECTIVITY LOGO MARKED IN APPROXIMATE AREA SHOWN.
- ⑦ PART NUMBER AND DATE CODE MARKED IN APPROXIMATE AREA SHOWN.

WITHOUT CAP	2292096-2
WITH CAP	2292096-1
REMARKS	PART NUMBER

THIS DRAWING IS A CONTROLLED DOCUMENT.		DWN M. SHIRK 06APR2015	<b>STE</b> TE Connectivity	
		CHK M. PHILLIPS 06APR2015		
DIMENSIONS:	TOLERANCES UNLESS OTHERWISE SPECIFIED:	APVD -	NAME RECEPTACLE CONNECTOR, VERTICAL, 50 POSITION, SLIVER	
mm	0 PLC ±0.15 1 PLC ±0.15 2 PLC ±0.15 3 PLC ± 4 PLC ± ANGLES ± FINISH -2	PRODUCT SPEC -	SIZE A2	CAGE CODE -
MATERIAL	-1	APPLICATION SPEC -	DRAWING NO C-2292096	RESTRICTED TO
		WEIGHT -	SCALE 5:1	SHEET 1 OF 2
		CUSTOMER DRAWING	REV C	

THIS DRAWING IS UNPUBLISHED. RELEASED FOR PUBLICATION 20  
 © COPYRIGHT 20 BY - ALL RIGHTS RESERVED.


REVISIONS				
P	LTR	DESCRIPTION	DATE	APVD
-	-	SEE SHEET 1	-	-



PIN #	DESCRIPTION	PIN #	DESCRIPTION
1	SIGNAL GROUND	50	SIGNAL GROUND
2	SIGNAL	49	SIGNAL
3	SIGNAL	48	SIGNAL
4	SIGNAL GROUND	47	SIGNAL GROUND
5	SIGNAL	46	SIGNAL
6	SIGNAL	45	SIGNAL
7	SIGNAL GROUND	44	SIGNAL GROUND
8	SIGNAL	43	SIGNAL
9	SIGNAL	42	SIGNAL
10	SIGNAL GROUND	41	SIGNAL GROUND
11	SIGNAL	40	SIGNAL
12	SIGNAL	39	SIGNAL
13	SIGNAL GROUND	38	SIGNAL GROUND
14	SIGNAL	37	SIGNAL
15	SIGNAL	36	SIGNAL
16	SIGNAL GROUND	35	SIGNAL GROUND
17	SIGNAL	34	SIGNAL
18	SIGNAL	33	SIGNAL
19	SIGNAL GROUND	32	SIGNAL GROUND
20	SIGNAL	31	SIGNAL
21	SIGNAL	30	SIGNAL
22	SIGNAL GROUND	29	SIGNAL GROUND
23	SIGNAL	28	SIGNAL
24	SIGNAL	27	SIGNAL
25	SIGNAL GROUND	26	SIGNAL GROUND

RECOMMENDED PCB LAYOUT  
 AND KEEP OUT AREA  
 SCALE 8:1

THIS DRAWING IS A CONTROLLED DOCUMENT.

DWN M. SHIRK 06APR2015	 TE Connectivity
CHK M. PHILLIPS 06APR2015	
APVD -	NAME RECEPTACLE CONNECTOR, VERTICAL, 50 POSITION, SLIVER
PRODUCT SPEC -	SIZE A2
APPLICATION SPEC -	CAGE CODE -
WEIGHT -	DRAWING NO. C-2292096
CUSTOMER DRAWING	RESTRICTED TO C
SCALE 5:1	SHEET 2 OF 2
REV C	

## X-ON Electronics

Largest Supplier of Electrical and Electronic Components

*Click to view similar products for [Board to Board & Mezzanine Connectors](#) category:*

*Click to view products by [TE Connectivity](#) manufacturer:*

Other Similar products are found below :

[589158040000018](#) [MDF7C-18P-2.54DSA\(55\)](#) [FCN-230C068-11](#) [FCN-268F012-G/BD](#) [FCN-268F036-G/BD](#) [FCN-268M012-G/0D](#) [FCN-268M024-G/1D](#) [FCN-723J004/1](#) [MIS-048-01-F-D-DP-K](#) [832-10-034-10-001000](#) [FX4C-80S-1.27DSA](#) [FCN-214Q030-G/0](#) [FCN-234P048-G/0](#) [FCN-235D050-G/C](#) [210-93-314-41-105000](#) [2-22603-0](#) [MDF7-40DP-2.54DSA\(55\)](#) [AXG720047](#) [5031084030](#) [MIT-114-03-F-D-K](#) [55323-1519](#) [DF33-2P-3.3DSA\(24\)](#) [YFT-20-05-H-03-SB-K](#) [503308-3040](#) [026-6203-PDB](#) [027-6203-PDB](#) [069159702701000](#) [10123981-102LF](#) [101A10019X](#) [55650-0588-C](#) [68684-306](#) [75140-7012](#) [194261-1](#) [FCN-268F024-G0D](#) [10124054-515LF](#) [68685-603](#) [8-1616154-3](#) [MIS-019-01-F-D](#) [541371078](#) [IL-WX-10PB-HF-B-E1000E](#) [FCN-268M024-G/3D](#) [20021832-06016C1LF](#) [KX15-20KLDL-E1000E](#) [MDF7-16DP-2.54DSA\(55\)](#) [AXE810124](#) [FCN-214J100-G/0](#) [FCN-230C068-E/S](#) [AXE812124](#) [AXE816124](#) [AXE720127](#)