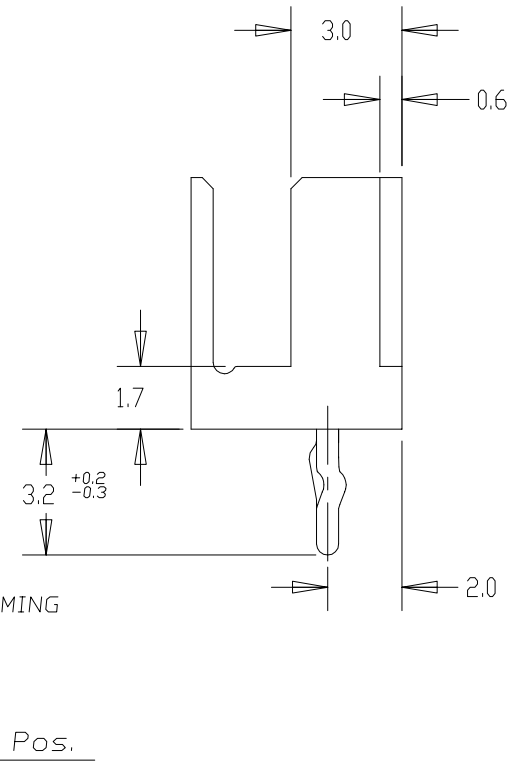
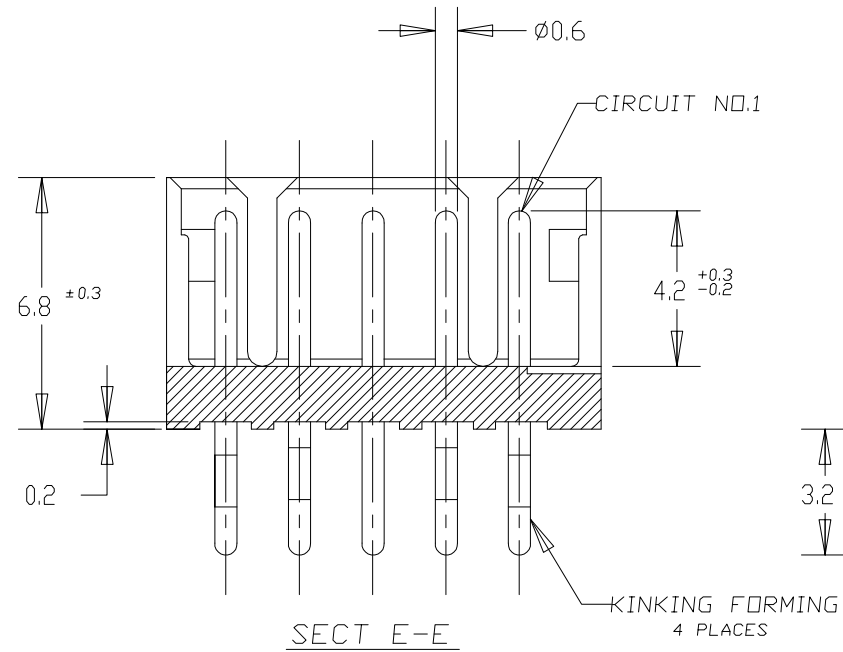
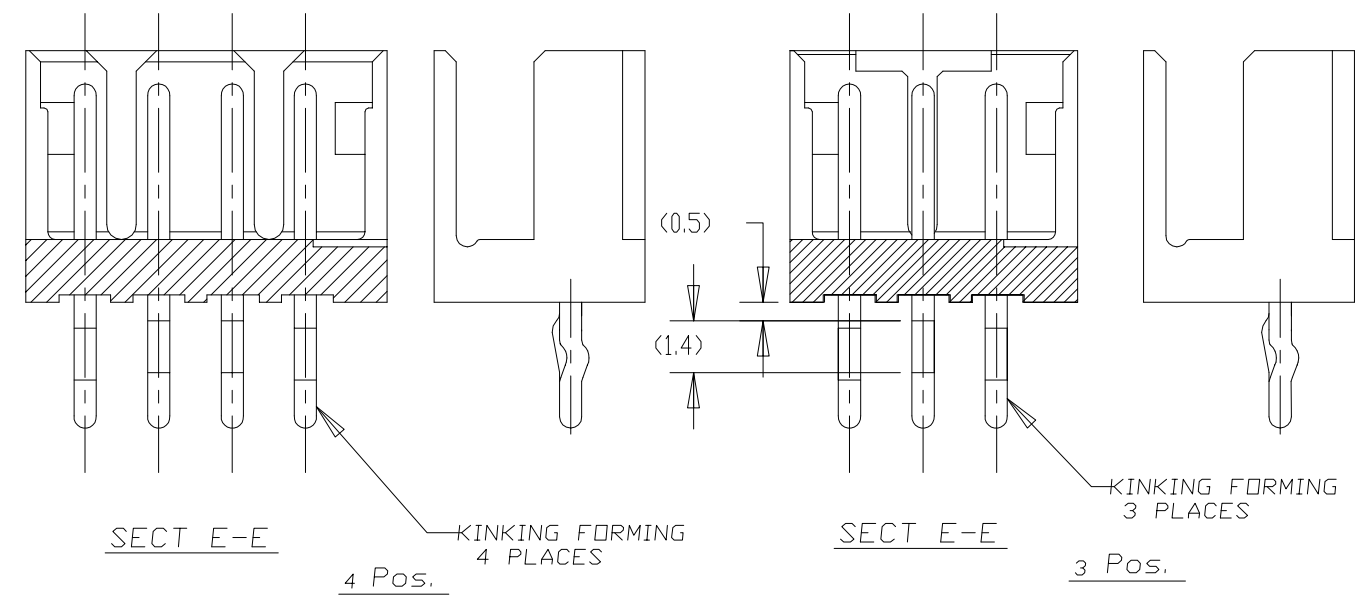
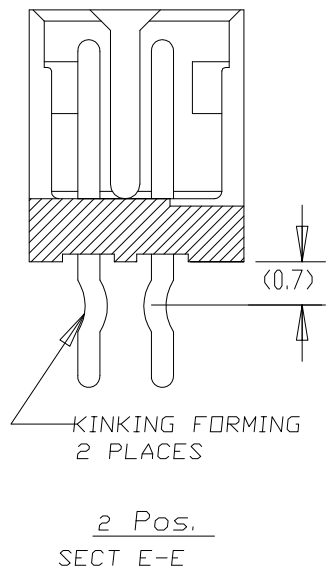
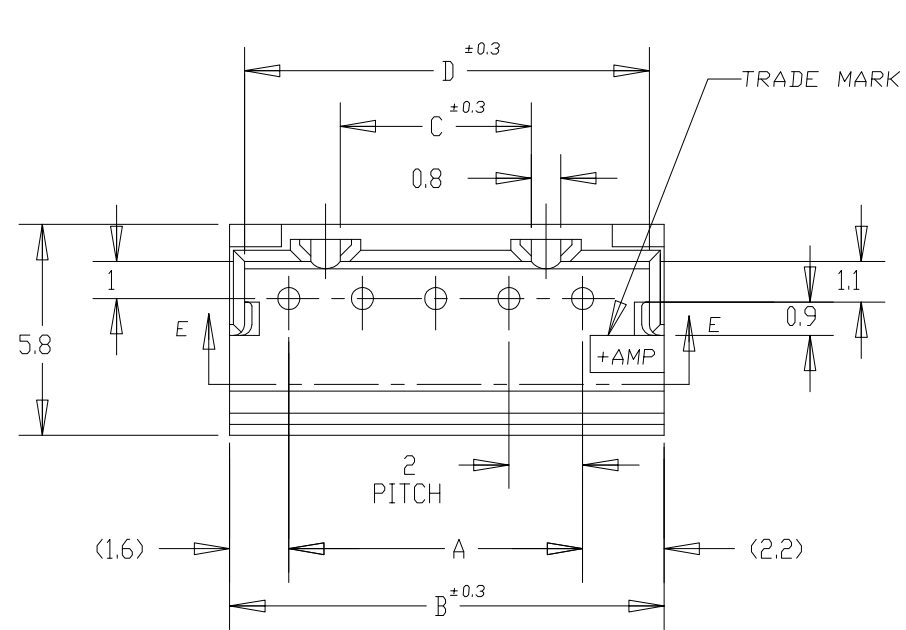
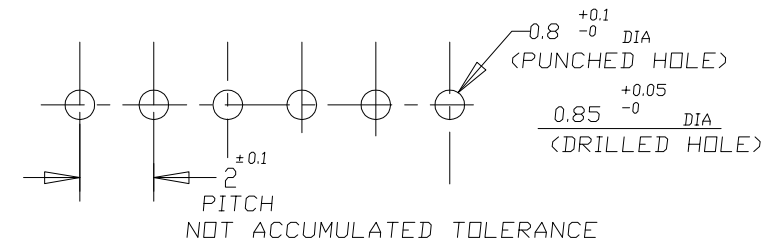


LOC	DIST	REVISIONS					
FB	00	P	LTR	DESCRIPTION	DATE	DWN	APVD
		A2	REVISED	ECR-14-006619	06MAY14	T.Q	W.H

NOTES;
 ▲ MATERIAL: HOUSING - 66 NYLON (UL94V-0)
 POST - TIN BRASS
 ▲ 7-292132-3 WAS OBSOLETE.



	7-292132-5	5-292132-5	3-292132-5	1-292132-5	15	28	31.8	25.2	31.0
	7-▲-4	5-▲-4	3-▲-4	1-▲-4	14	26	29.8	23.2	29.0
	7-▲-3	5-▲-3	3-▲-3	1-▲-3	13	24	27.8	21.2	27.0
	7-▲-2	5-▲-2	3-▲-2	1-▲-2	12	22	25.8	19.2	25.0
	7-▲-1	5-▲-1	3-▲-1	1-▲-1	11	20	23.8	17.2	23.0
	7-▲-0	5-▲-0	3-▲-0	1-▲-0	10	18	21.8	15.2	21.0
	6-▲-9	4-▲-9	2-▲-9	▲-9	9	16	19.8	13.2	19.0
	6-▲-8	4-▲-8	2-▲-8	▲-8	8	14	17.8	11.2	17.0
	6-▲-7	4-▲-7	2-▲-7	▲-7	7	12	15.8	9.2	15.0
8-292132-6	6-▲-6	4-▲-6	2-▲-6	▲-6	6	10	13.8	7.2	13.0
	6-▲-5	4-▲-5	2-▲-5	▲-5	5	8	11.8	5.2	11.0
	6-▲-4	4-▲-4	2-▲-4	▲-4	4	6	9.8	3.2	9.0
	6-▲-3	4-▲-3	2-▲-3	▲-3	3	4	7.8	—	7.0
	6-292132-2	4-292132-2	2-292132-2	292132-2	2	2	5.8	—	5.0
RED	BLACK	YELLOW	BLUE	NATURAL	Pos.	A	B	C	D



RECOMMENDABLE P.C. BOARD LAYOUT
 (PCB THK: 0.8-1.6)

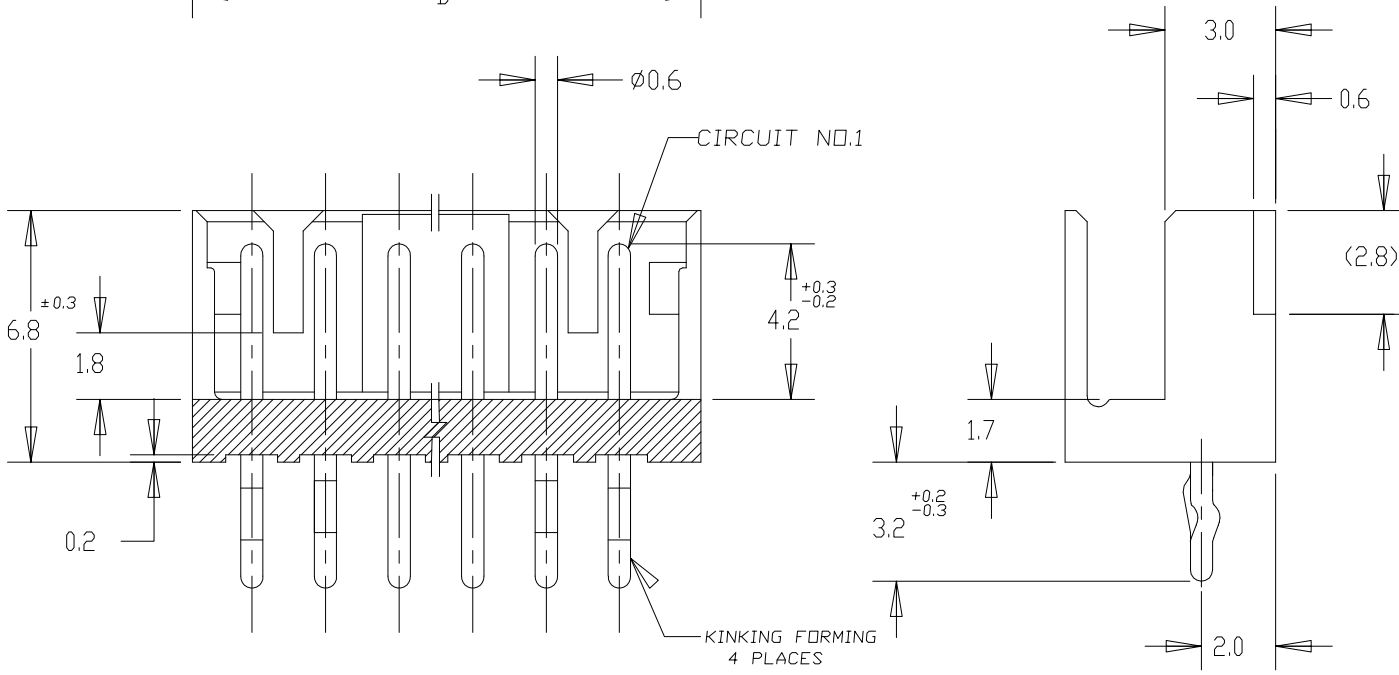
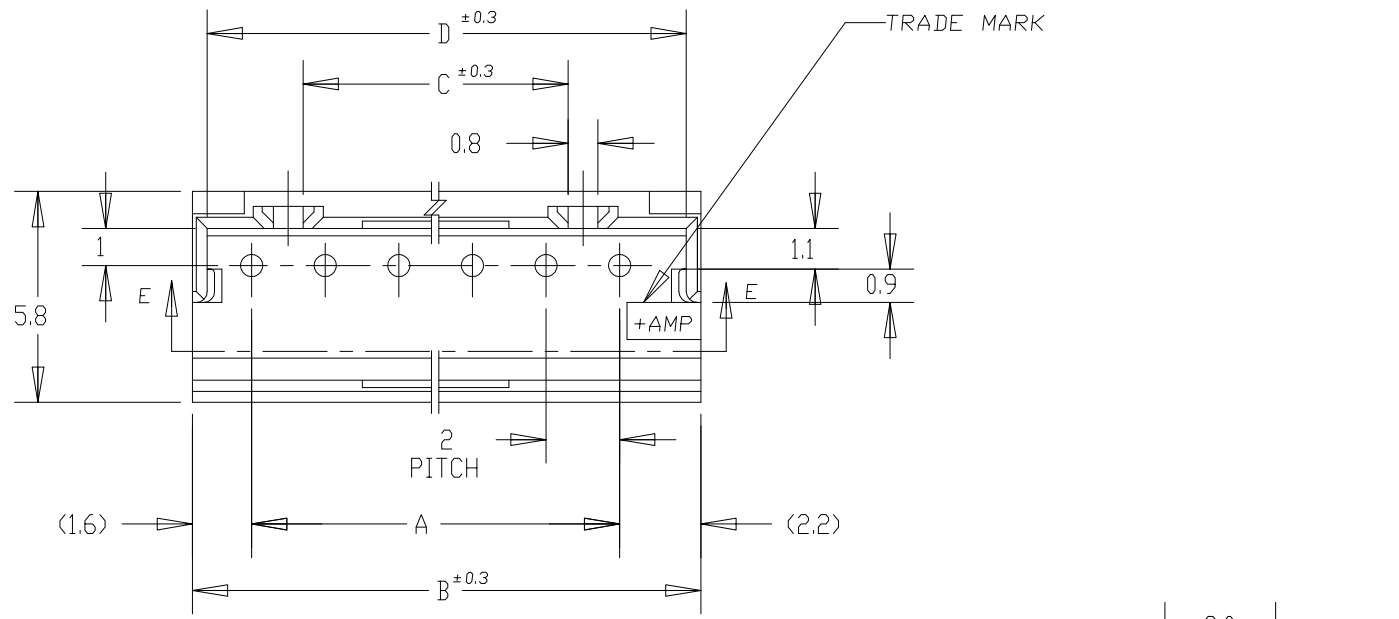
THIS DRAWING IS A CONTROLLED DOCUMENT FOR TYCO ELECTRONICS CORPORATION
 IT IS SUBJECT TO CHANGE AND THE CONTROLLING ENGINEERING ORGANIZATION
 SHOULD BE CONTACTED FOR THE LATEST REVISION.

DIMENSIONS:	TOLERANCES UNLESS OTHERWISE SPECIFIED:
MM	±0.2
	0-PLC ±
	1-PLC ±
	2-PLC ±
	3-PLC ±
	4-PLC ±
	ANGLES ±
MATERIAL	FINISH
▲	▲

DWN	J. JIANG	23JAN03		Tyco Electronics Corporation		
CHK	S. YAO	23JAN03		Shanghai, P.R.China, 200233		
APVD	T. SASAKI	23JAN03		NAME		
PRODUCT SPEC	108-60016	APPLICATION SPEC		POST HEADER ASS'Y (BOX-V DIP) (AMP CT CONNECTOR 2mm PITCH)		
WEIGHT	A3	00779	C=292132	RESTRICTED TO	—	
CUSTOMER DRAWING	SCALE	5:1	SHEET	1 OF 2	REV	A2

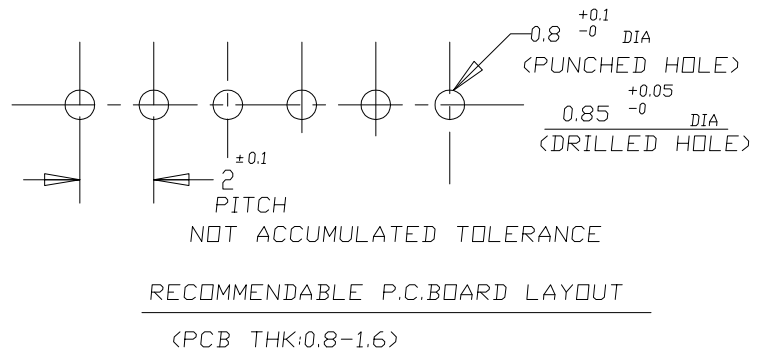
THIS DRAWING IS UNPUBLISHED. RELEASED FOR PUBLICATION
 © COPYRIGHT BY TYCO ELECTRONICS CORPORATION. ALL RIGHTS RESERVED.

LOC		DIST		REVISIONS					
FB		00		P	LTR	DESCRIPTION	DATE	DWN	APVD
				-	-	SEE SHEET 1	-	-	-



NOTES;
 △ MATERIAL: HOUSING - 66 NYLON (UL94V-0)
 POST - TIN BRASS

	7-292132-5	5-292132-5	3-292132-5	1-292132-5	15	28	31.8	25.2	31.0
	7- -4	5- -4	3- -4	1- -4	14	26	29.8	23.2	29.0
	7- -3	5- -3	3- -3	1- -3	13	24	27.8	21.2	27.0
	7- △ -2	5- -2	3- -2	1- -2	12	22	25.8	19.2	25.0
	7- -1	5- -1	3- -1	1- -1	11	20	23.8	17.2	23.0
	7- -0	5- -0	3- -0	1- -0	10	18	21.8	15.2	21.0
	6- -9	4- -9	2- -9	-9	9	16	19.8	13.2	19.0
	6- -8	4- -8	2- -8	-8	8	14	17.8	11.2	17.0
	6- -7	4- -7	2- -7	-7	7	12	15.8	9.2	15.0
8-292132-6	6- -6	4- -6	2- -6	-6	6	10	13.8	7.2	13.0
	6- -5	4- -5	2- -5	-5	(SEE SHEET 1 OF 2)				
	6- -4	4- -4	2- -4	-4					
	6- -3	4- -3	2- -3	-3					
	6-292132-2	4-292132-2	2-292132-2	292132-2					
RED	BLACK	YELLOW	BLUE	NATURAL	Pos.	A	B	C	D



THIS DRAWING IS A CONTROLLED DOCUMENT FOR TYCO ELECTRONICS CORPORATION IT IS SUBJECT TO CHANGE AND THE CONTROLLING ENGINEERING ORGANIZATION SHOULD BE CONTACTED FOR THE LATEST REVISION.

DIMENSIONS: mm	TOLERANCES UNLESS OTHERWISE SPECIFIED: ±0.2	DWN	<p>Tyco Electronics Corporation Shanghai, P.R.China, 200233</p>
	0-PLC ±	CHK	
	1-PLC ±	APVD	
	2-PLC ±	PRODUCT SPEC	
	3-PLC ±	APPLICATION SPEC	
MATERIAL	FINISH	WEIGHT	RESTRICTED TO
△	△	CUSTOMER DRAWING	-

NAME: POST HEADER ASS'Y (BOX-V DIP) (AMP CT CONNECTOR 2mm PITCH)

SIZE: A3 CAGE CODE: 00779 DRAWING NO: C-292132

SCALE: 5:1 SHEET 2 OF 2 REV: A2

X-ON Electronics

Largest Supplier of Electrical and Electronic Components

Click to view similar products for [Headers & Wire Housings](#) category:

Click to view products by [TE Connectivity](#) manufacturer:

Other Similar products are found below :

[892-18-020-10-001101](#) [58102-G61-06LF](#) [582553-1](#) [0009485154](#) [009176003701906](#) [0050291907](#) [LY20-4P-DT1-P1E-BR](#) [02.125.8002.8](#)
[609-3404](#) [61062-3](#) [61082-181009](#) [622-3653LF](#) [63453-116](#) [636-1030](#) [636-1427](#) [636-3427](#) [636-4007](#) [641938-9](#) [641991-4](#) [644827-2](#) [65817-](#)
[010LF](#) [65817-015LF](#) [65863-015LF](#) [66207-023LF](#) [67095-007LF](#) [67601157](#) [68645-018](#) [68648-049](#) [70.362.1628.0](#) [70-4210](#) [70-4226B](#) [70-](#)
[4853B](#) [707-5020](#) [707-5028](#) [71.350.2428.0](#) [71918-208LF](#) [71961-016LF](#) [733-134](#) [733-162](#) [754199-000](#) [760-3052](#) [787-8014-00](#) [79531-3000](#)
[FCN-360C032-B](#) [FCN-367T-T012/H](#) [FCN-723D010/2](#) [80.063.4001.1](#) [800-90-001-10-001000](#) [800-90-010-10-002000](#) [801-43-002-10-013000](#)