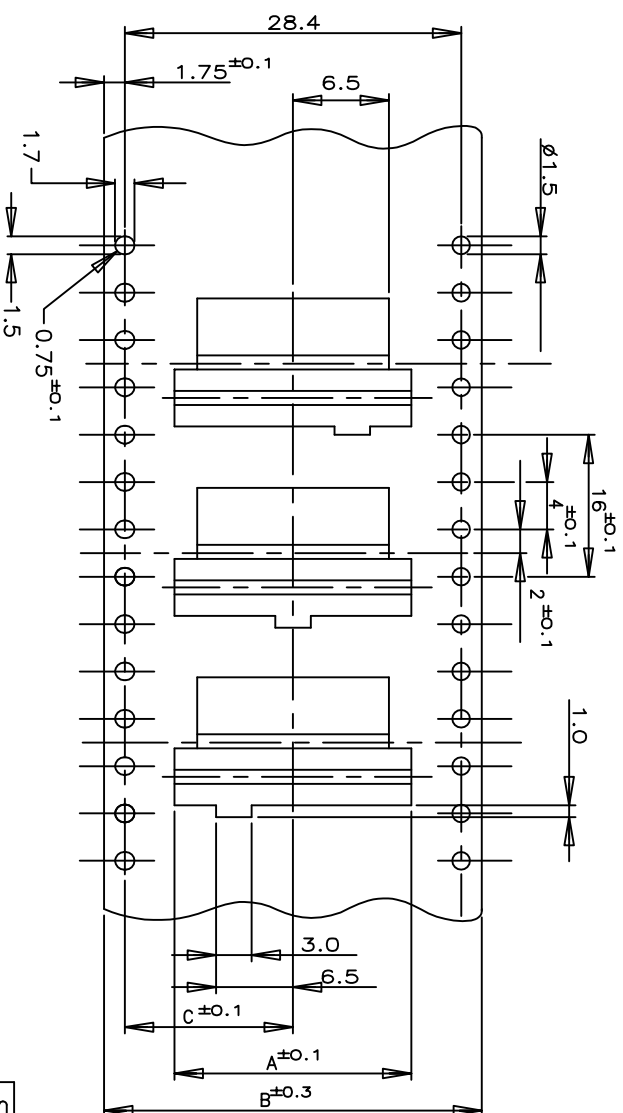
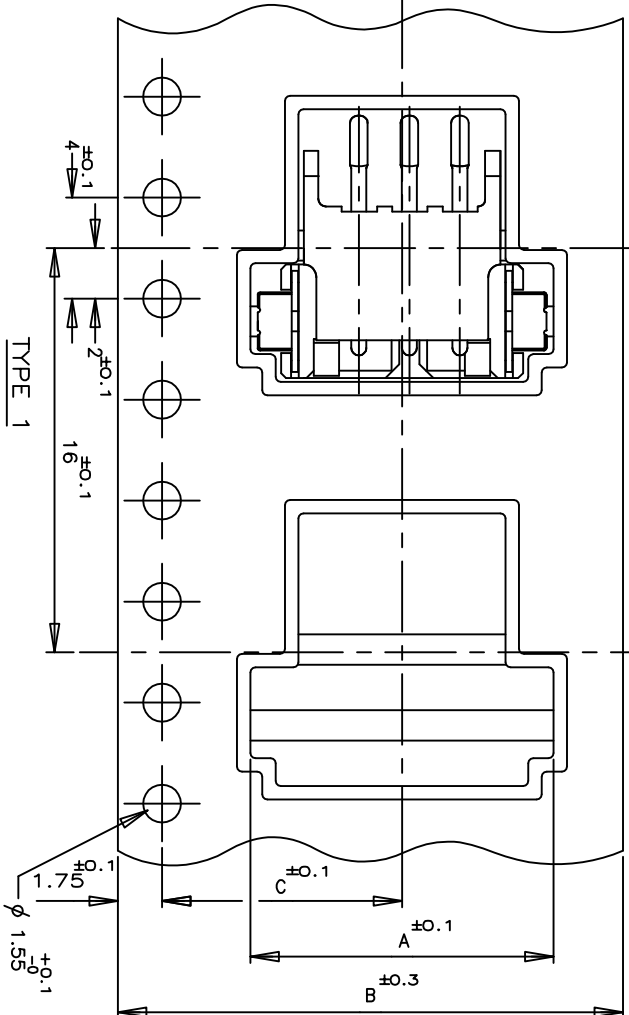


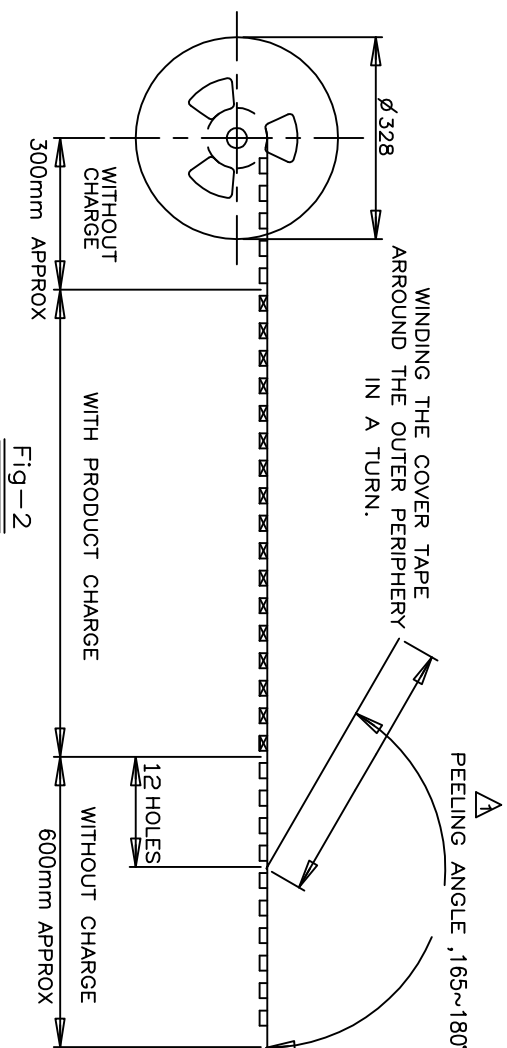
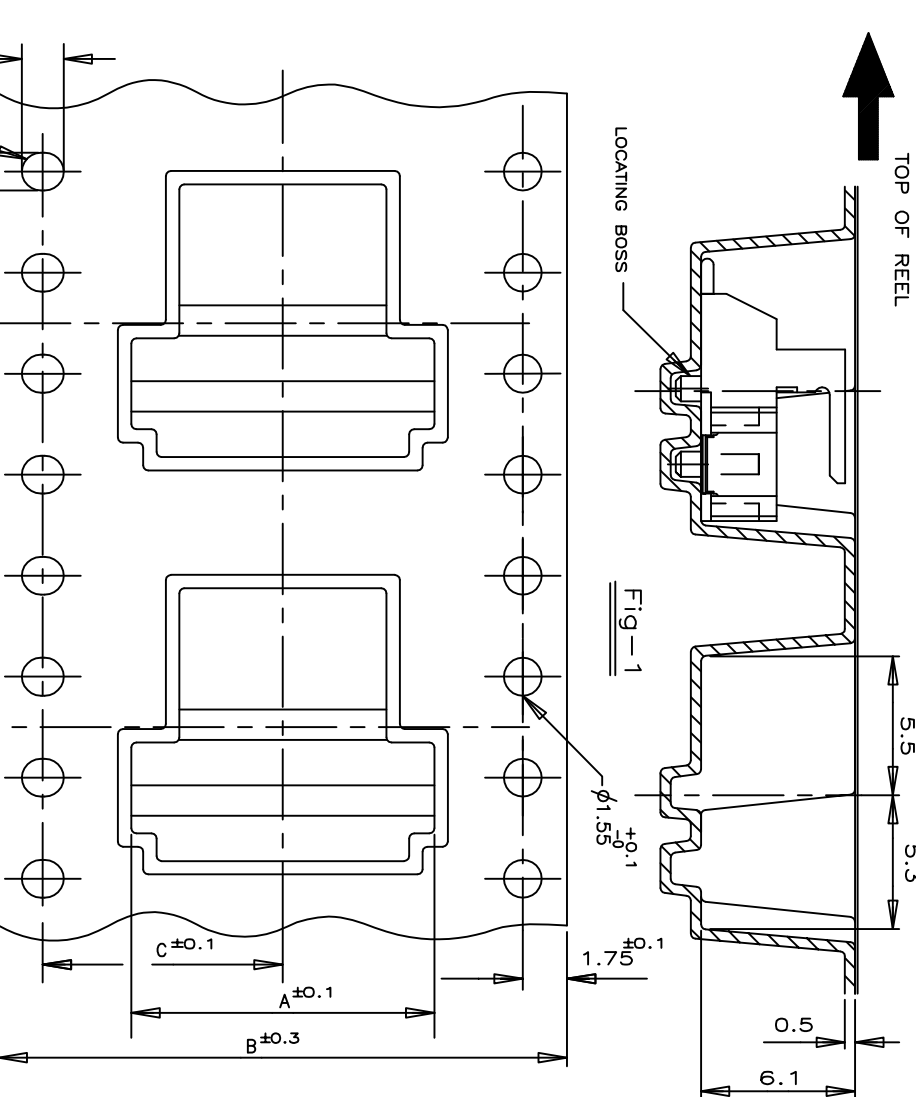
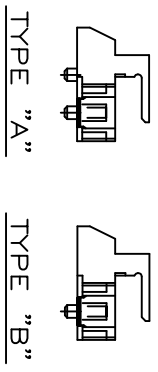
REVISIONS

LOC	DIST	P	LTR	DESCRIPTION	DATE	DWN	APVD
ES	00	C3		REVISED ECR-11-021545	24OCT11	C.Z	S.Y

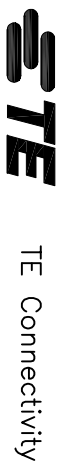


(AS SHOWN : 3P)

TYPE 3 FOR 7P ONLY  
 THREE KINDS OF DIFFERENT POCKETS AS 1 SET  
 USED FOR 7P ONLY



WITH	TYPE	BLACK		NATURAL		COLOR	PLATE	WITH	TYPE	TAPING P/N
		A	B	A	B					
20.2	TYPE 2	B	44	24	500	1	292173-9			
20.2	TYPE 3	B	44	22	8	1	-8			
14.2	TYPE 2	B	32	20	7	1	-7			
14.2	TYPE 3	B	32	18	6	1	-6			
11.5	TYPE 1	B	24	16	5	1	-5			
11.5	TYPE 2	B	24	16	4	1	-4			
11.5	TYPE 3	B	24	14	3	1	-3			
11.5	TYPE 1	A	24	10	2	1	-2			
20.2	TYPE 2	B	44	24	9	0	-9			
20.2	TYPE 3	B	44	22	8	0	-8			
14.2	TYPE 2	B	32	20	7	0	-7			
14.2	TYPE 3	B	32	18	6	0	-6			
11.5	TYPE 2	B	24	16	5	0	-5			
11.5	TYPE 3	B	24	14	4	0	-4			
11.5	TYPE 1	A	24	12	3	0	-3			



TE Connectivity

ON TAPING (EMBOSS)  
 TE CT CONNECTOR POST HEADER ASS'Y  
 (BOX-H SMT TYPE W/BOSS & TAIL)

THIS DRAWING IS A CONTROLLED DOCUMENT.			
DWN	JACK HOU	21SEP10	
CHK	MARTIN LI	21SEP10	
APVD	STEVEN YAO	21SEP10	
PRODUCT SPEC			
APPLICATION SPEC			
WEIGHT			
MATERIAL			

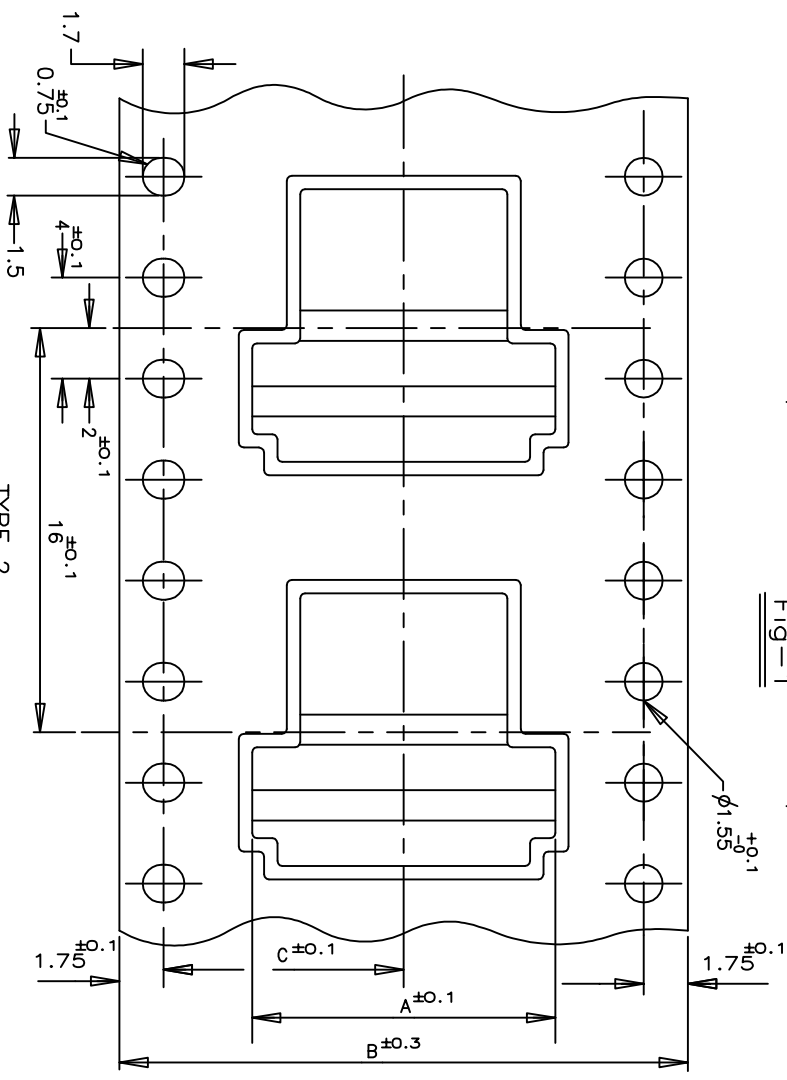
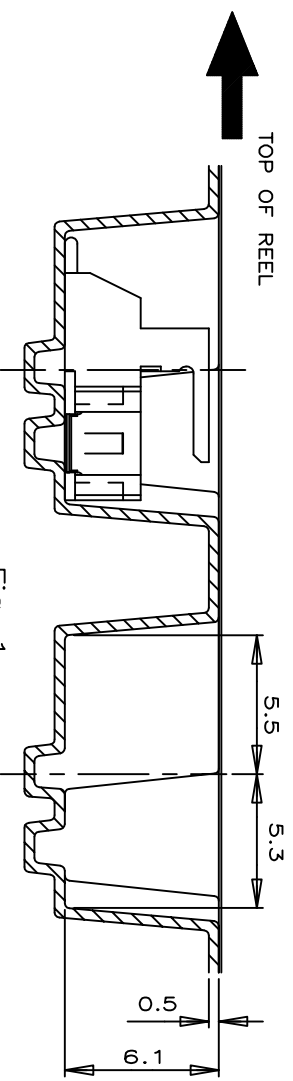
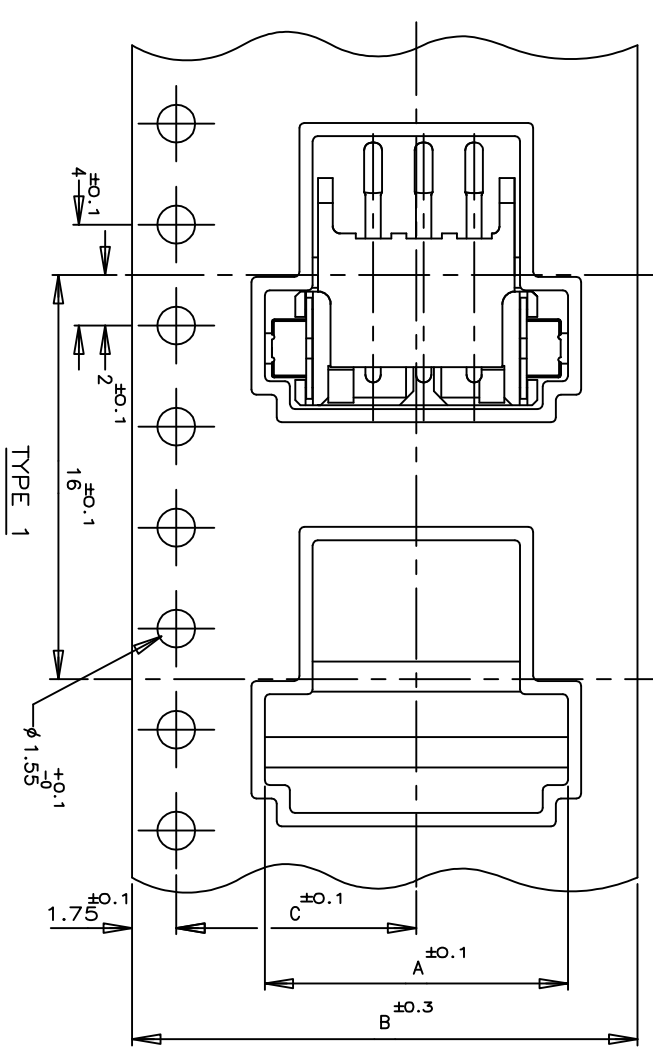
DIMENSIONS: MM			
TOLERANCES UNLESS OTHERWISE SPECIFIED:			
0 PLC	±		
1 PLC	±		
2 PLC	±		
3 PLC	±		
4 PLC	±		
ANGLES	±		
MATERIAL			
CUSTOMER DRAWING			
NAME	TE CT CONNECTOR POST HEADER ASS'Y (BOX-H SMT TYPE W/BOSS & TAIL)		
SIZE	A3	CAGE CODE	00779
DRAWING NO	292173		
SCALE	1:1	SHEET	1 OF 6
REV	C3		

NOTES:  
 ▲ PEELING RESISTANCE : 0.196N-0.686N (20gf-70gf)  
 SPEED : 300mm/min

TOLERANCE UNLESS OTHERWISE SPECIFIED:  
 10>±0.2  
 30>±0.25  
 100>±0.3  
 ANGLE ±3'

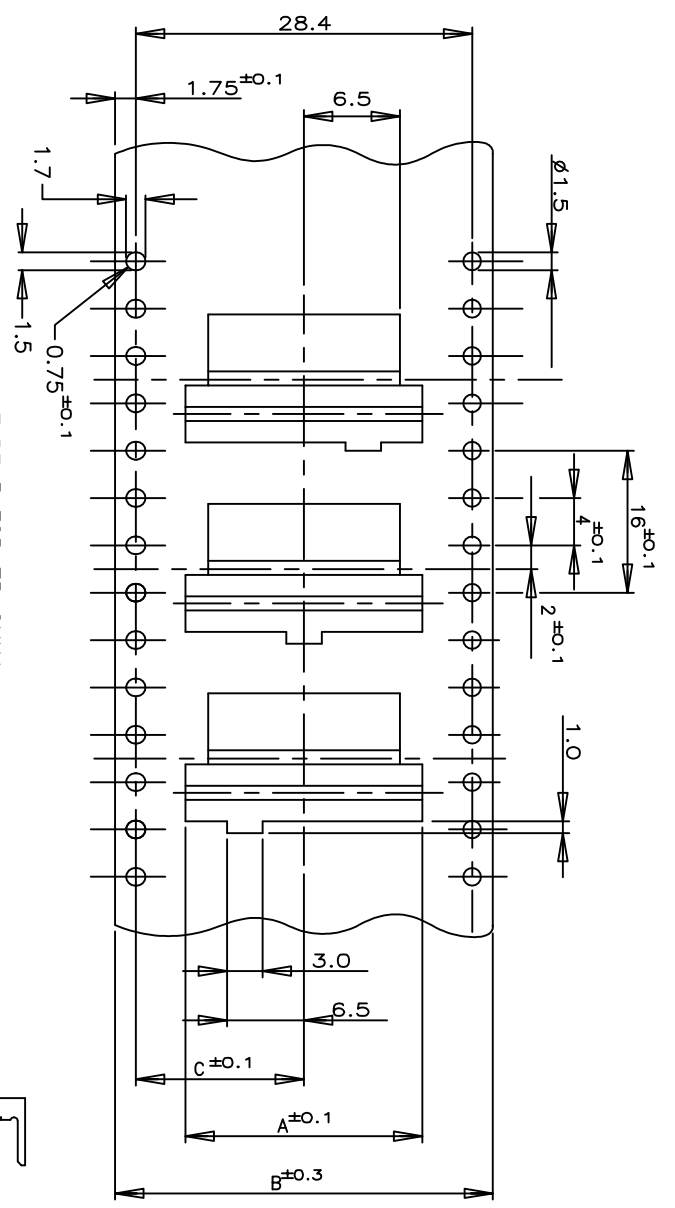
Loc	ES 00	DIST	P	TR	DESCRIPTION	DATE	DWN	APVD
			-		SEE SHEET 1			

REVISIONS		DATE	DWN	APVD

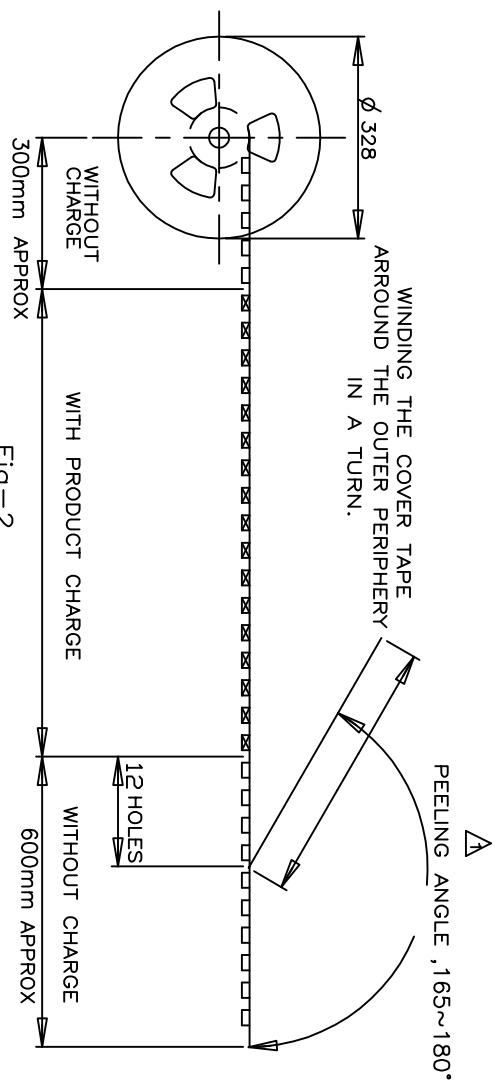
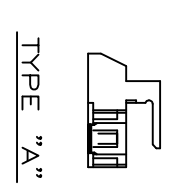


TOLERANCE UNLESS OTHERWISE SPECIFIED:  
 10>\* :±0.2  
 30>\* :±0.25  
 100>\* :±0.3  
 ANGLE :±3°

NOTES:  
 Δ PEELING RESISTANCE : 0.196N-0.686N (20gf-70gf)  
 SPEED : 300mm/min



TYPE 3 FOR 7P ONLY  
 THREE KINDS OF DIFFERENT POCKETS AS 1 SET  
 USED FOR 7P ONLY



COLOR	WITH	TYPE	TE CONNECTIVITY		QTY/REEL	Pos	TAPING P/N
			A	B			
BLACK	TYPE 1	A	11.5	24	10	500	2-292173-2
	TYPE 2	A	20.2	44	24	500	2-292173-9
NATURAL	TYPE 1	A	11.5	24	10	500	2-292173-2
	TYPE 2	A	20.2	44	24	500	2-292173-9
	TYPE 3	A	14.2	32	18	500	2-292173-7
	TYPE 2	A	14.2	32	18	500	2-292173-6
	TYPE 2	A	20.2	44	22	500	2-292173-8
	TYPE 3	A	14.2	32	20	500	2-292173-7
	TYPE 2	A	14.2	32	18	500	2-292173-6
	TYPE 2	A	11.5	24	16	500	2-292173-5
	TYPE 1	A	11.5	24	14	500	2-292173-4
	TYPE 1	A	11.5	24	12	500	2-292173-3

THIS DRAWING IS A CONTROLLED DOCUMENT.

DIMENSIONS: MM	TOLERANCES UNLESS OTHERWISE SPECIFIED:	CHK	DWN
0 PLC	±		
1 PLC	±		
2 PLC	±		
3 PLC	±		
4 PLC	±		
FINISH	±		

ON TAPING (EMBOSS)  
 TE CT CONNECTOR POST HEADER ASS'Y  
 (BOX-H SMT TYPE W/O BOSS & W/ TAIL)

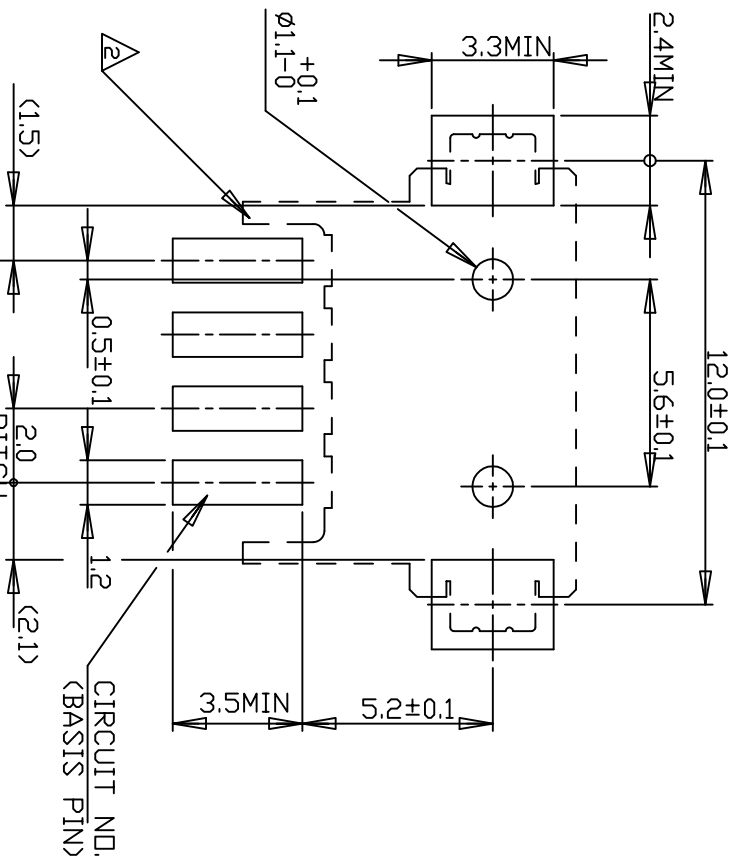
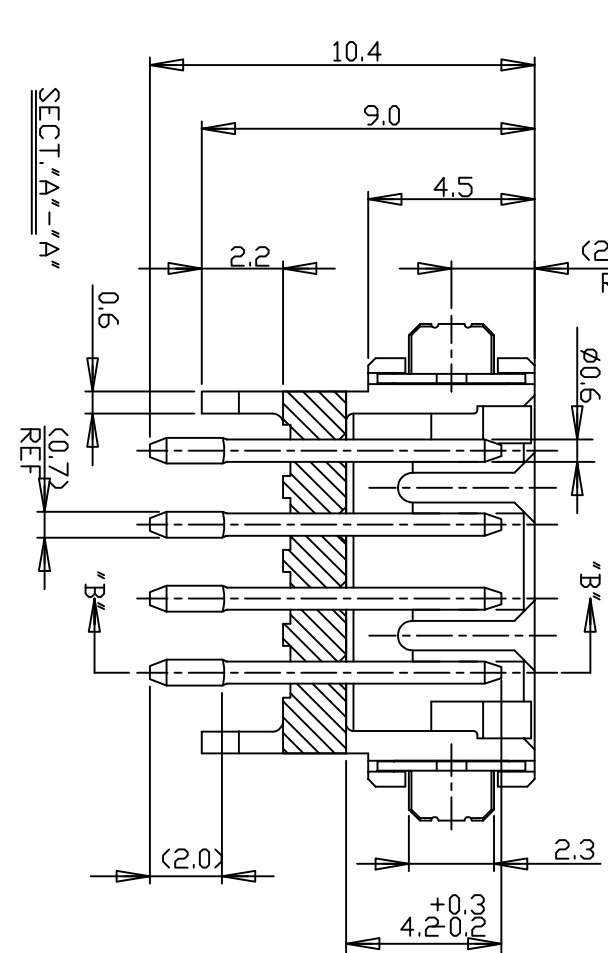
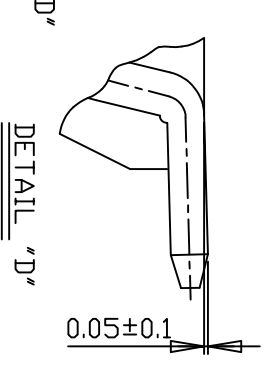
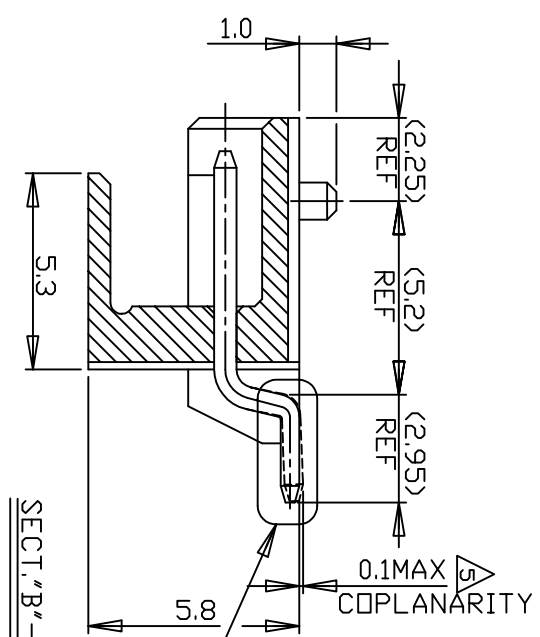
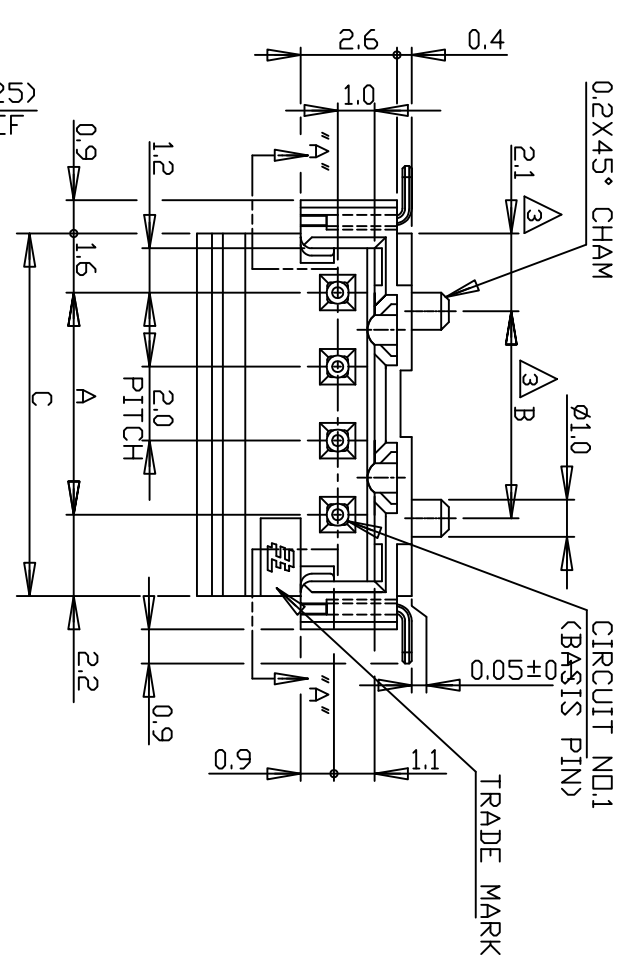
APVD: A3 00779  
 DRAWING NO: 292173

SCALE: 1:1 SHEET: 2 OF 6 REV: C3

Loc	DIST	P	LTR	DESCRIPTION	DATE	DWN	APVD
ES	00	-	-	SEE SHEET 1	-	-	-

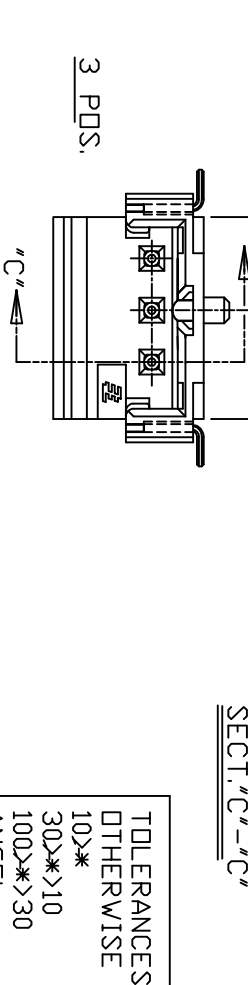
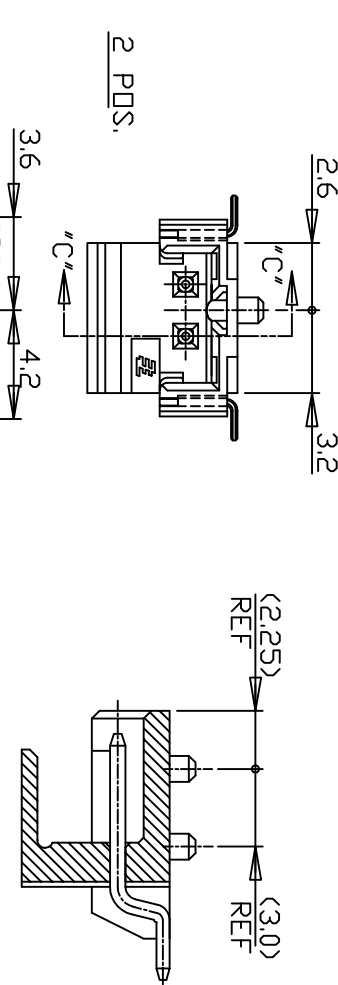
REVISIONS	
DESCRIPTION	DATE

(AS SHOWN : -4)



A	B	C	D	POS.	NATURAL	BLACK
16.0	15.6	19.8	22.0	9	1-292173-9	292173-9
14.0	13.6	17.8	20.0	8	1-8	-8
12.0	11.6	15.8	18.0	7	1-7	-7
10.0	9.6	13.8	16.0	6	1-6	-6
8.0	7.6	11.8	14.0	5	1-5	-5
6.0	5.6	9.8	-	4	1-4	-4
4.0	-	7.8	-	3	1-3	-3
2.0	-	5.8	-	2	1-292173-2	292173-2

- NOTES:
- MATERIAL:HSG-6T PKG.F.30%XUL94V-0)  
COLOR:BLACK,NATURAL  
POST: TIN BRASS  
TAIL: TIN BRASS  
OCCUPANT AREA DN PC BOARD  
4P&ABOVE POS.  
2P&3P  
TO BE MEASURED WITH CONNECTOR PLACED  
DN HORIZONTAL DATUM SURFACE,FLDAT OF  
SOLDER TINE AND TAIL FRDM DATUM  
SURFACE IS 0.1mm MAX

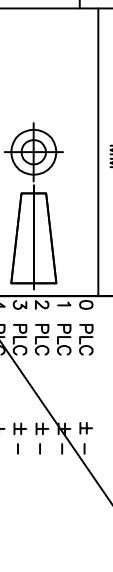


TOLERANCES UNLESS OTHERWISE SPECIFIED:

10>*	±0.2
30>*>10	±0.25
100>*>30	±0.3
ANGEL	±3°

THIS DRAWING IS A CONTROLLED DOCUMENT.

DIMENSIONS: MM



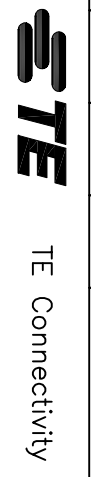
MATERIAL SEE NOTE

TOLERANCES UNLESS OTHERWISE SPECIFIED:

0 PLC	±
1 PLC	±
2 PLC	±
3 PLC	±
4 PLC	±
ANGLES	±

FINISH SEE NOTE

NO ACCUMULATED TOLERANCE RECOMMENDED P.C.BOARD LAYOUT (P.C.B. THK:0.8mm MIN)



TE Connectivity

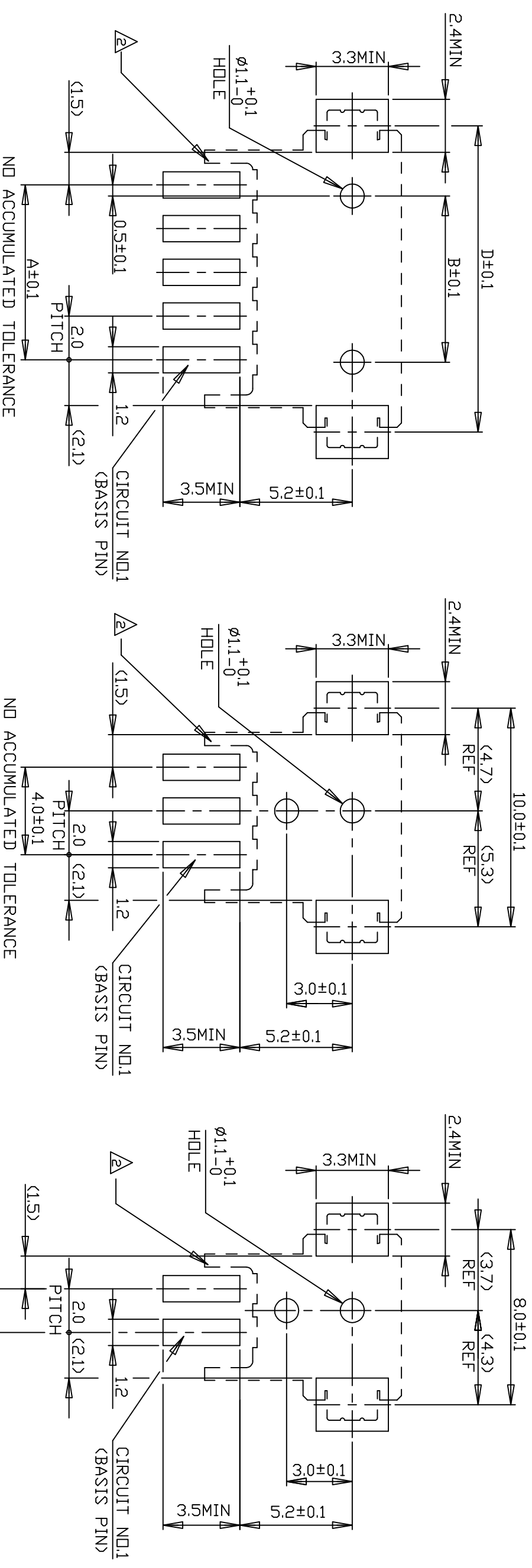
SMT TYPE POST HDR ASS'Y (H) WITH BOSS & TAIL TYPE (TE CT CONN. 2mm PITCH)

APVD	NAME
108-60016	PRODUCT SPEC
108-60016	APPLICATION SPEC
108-60016	WEIGHT
108-60016	CUSTOMER DRAWING

A3	00779	G=292173	SCALE	5:1	SHEET	3 OF 6	REV	C3
----	-------	----------	-------	-----	-------	--------	-----	----

Loc	DIST	REVISIONS	DATE	DWN	APVD
ES	00				
P	LTR	DESCRIPTION			
-	-	SEE SHEET 1			

LAYOUT FOR 292173-X,1-292173-X



5 POS. & ABOVE POS.

3 POS.

2 POS.

RECOMMENDED P.C. BOARD LAYOUT  
(P.C.B THK:0.8mm MIN)

THIS DRAWING IS A CONTROLLED DOCUMENT.

DMN -  
CHK -  
APVD -  
NAME -  
SMT TYPE POST HDR ASS'Y (H)  
WITH BOSS & TAIL TYPE  
(TE CT CONN. 2mm PITCH)

DIMENSIONS: MM

APVD -  
PRODUCT SPEC -  
APPLICATION SPEC -  
SIZE A3  
CAGE CODE 00779  
DRAWING NO G-292173

TOLERANCES UNLESS OTHERWISE SPECIFIED:

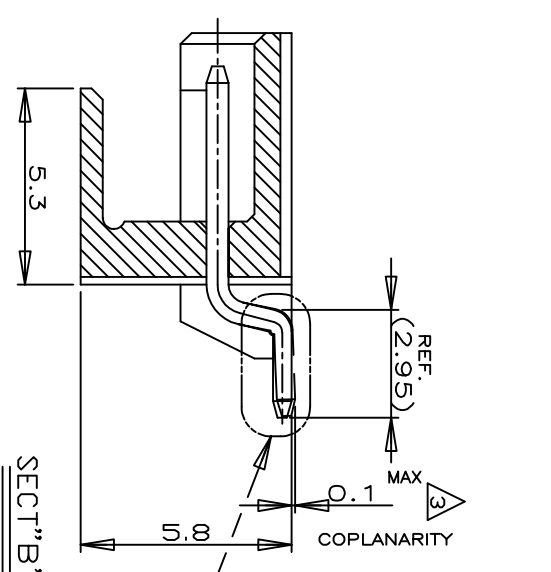
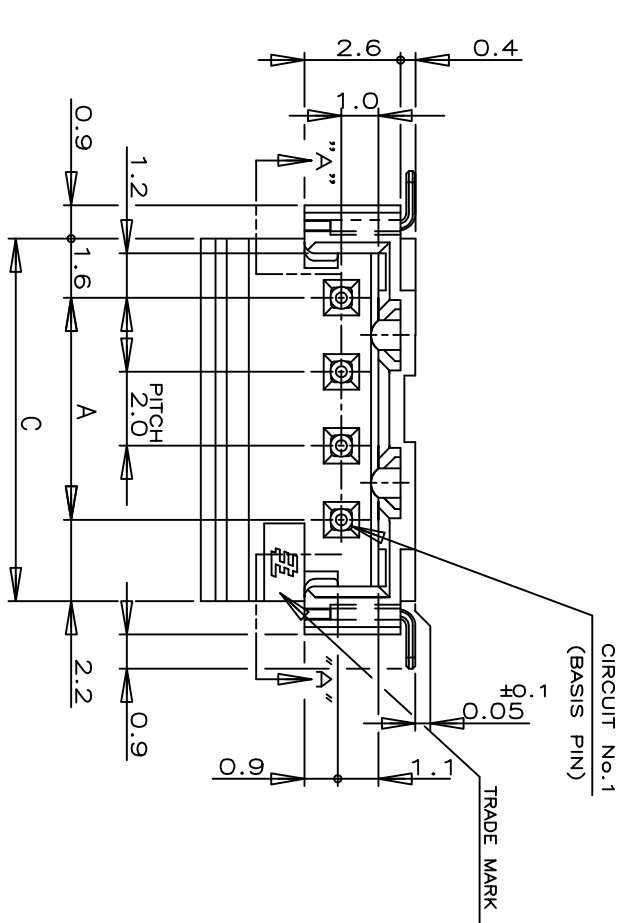
0 PLC ±-  
1 PLC ±-  
2 PLC ±-  
3 PLC ±-  
4 PLC ±-  
FINISH ±-  
WEIGHT -  
CUSTOMER DRAWING

MATERIAL

RESTRICTED TO

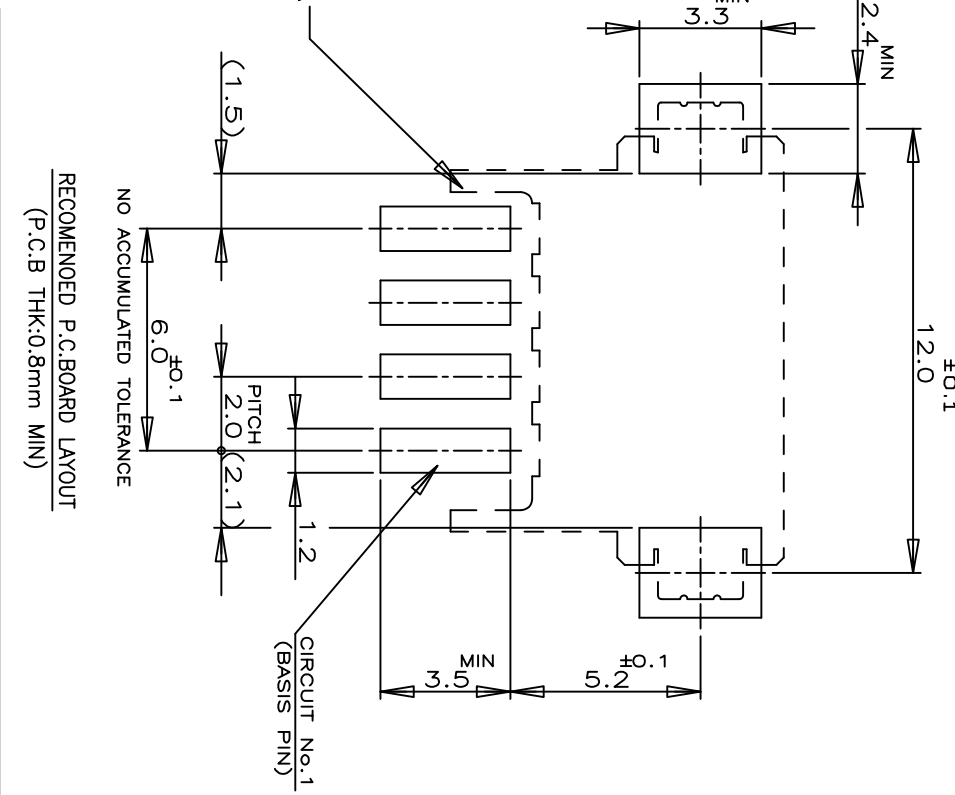
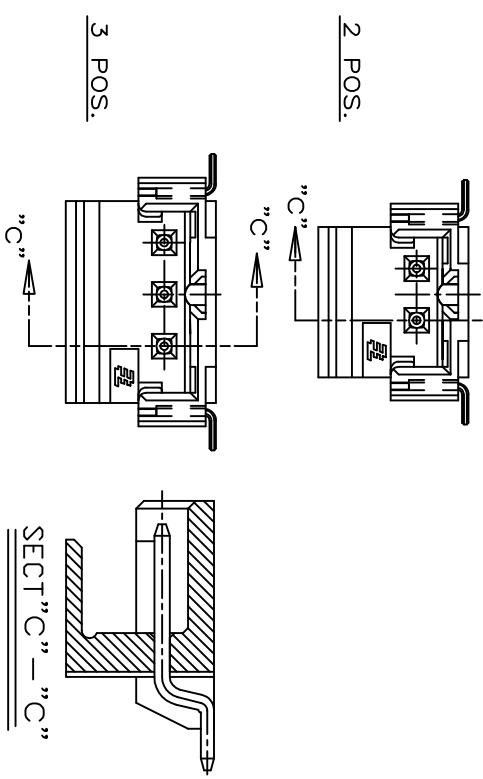
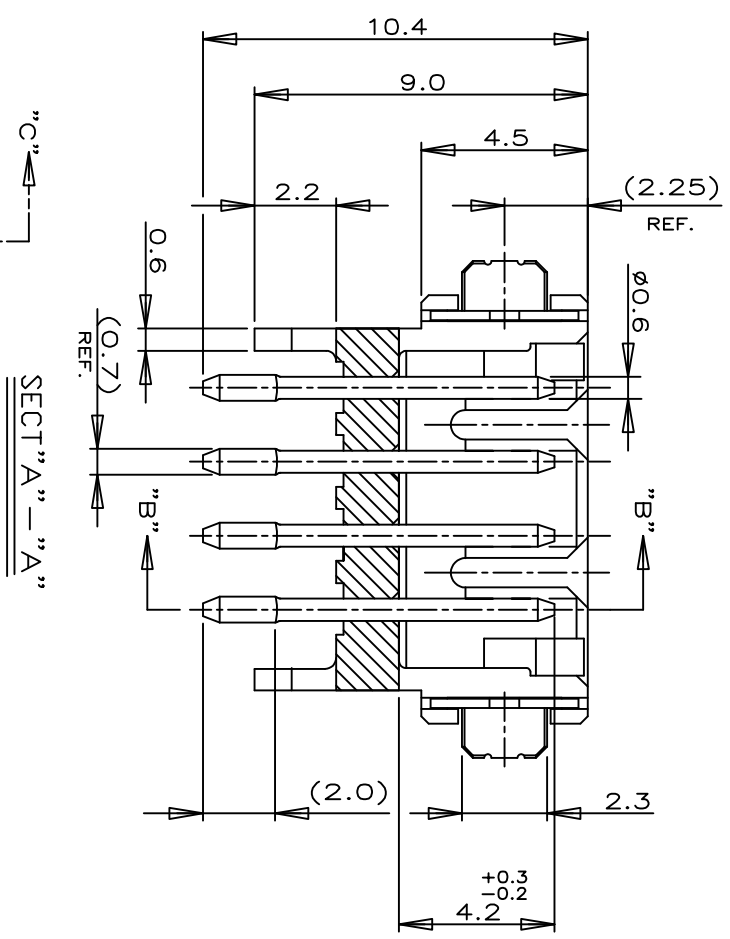
(AS SHOWN :4P)

DETAIL "D"  
SCALE 10-1



NOTES:  
1. MATERIAL : HSG-6T PA(G.F.30%)(UL94V-0)  
COLOR:BLACK,NATURAL  
POST:TIN BRASS  
TAIL: TIN BRASS

2 OCCUPANT AREA ON PC BOARD  
TO BE MEASURED WITH CONNECTOR PLACED  
ON HORIZONTAL DATUM SURFACE,FLOAT OF  
SOLDER TINE AND TAIL FROM DATUM  
SURFACE IS 0.1mm MAX



RECOMMENDED P.C.BOARD LAYOUT  
(P.C.B THK:0.8mm MIN)

SIZE	16.0	19.8	22.0	9	3-292173-9	2-292173-9
SIZE	14.0	17.8	20.0	8	3-8	2-8
SIZE	12.0	15.8	18.0	7	3-7	2-7
SIZE	10.0	13.8	16.0	6	3-6	2-6
SIZE	8.0	11.8	14.0	5	3-5	2-5
SIZE	6.0	9.8	11.8	4	3-4	2-4
SIZE	4.0	7.8	10.0	3	3-3	2-3
SIZE	2.0	5.8	8.0	2	3-292173-2	2-292173-2
SIZE	A	C	D	Pos.	NATURAL	BLACK



TE Connectivity

SMT TYPE POST HDR ASS'Y (BOX-H)  
W/O BOSS,WITH TAIL TYPE  
(TE CT CONN. 2mm PITCH)

THIS DRAWING IS A CONTROLLED DOCUMENT.

DIMENSIONS: MM

TOLERANCES UNLESS OTHERWISE SPECIFIED:

0 PLC	±
1 PLC	±
2 PLC	±
3 PLC	±
4 PLC	±
ANGLES	±

FINISH: ±

MATERIAL: SEE NOTE

APVD: -

CHK: -

PRODUCT SPEC: 108-60016

APPLICATION SPEC: -

WEIGHT: -

CUSTOMER DRAWING

NAME: SMT TYPE POST HDR ASS'Y (BOX-H)  
W/O BOSS,WITH TAIL TYPE  
(TE CT CONN. 2mm PITCH)

SIZE: A3

CAGE CODE: 00779

DRAWING NO: 292173

SCALE: 5:1

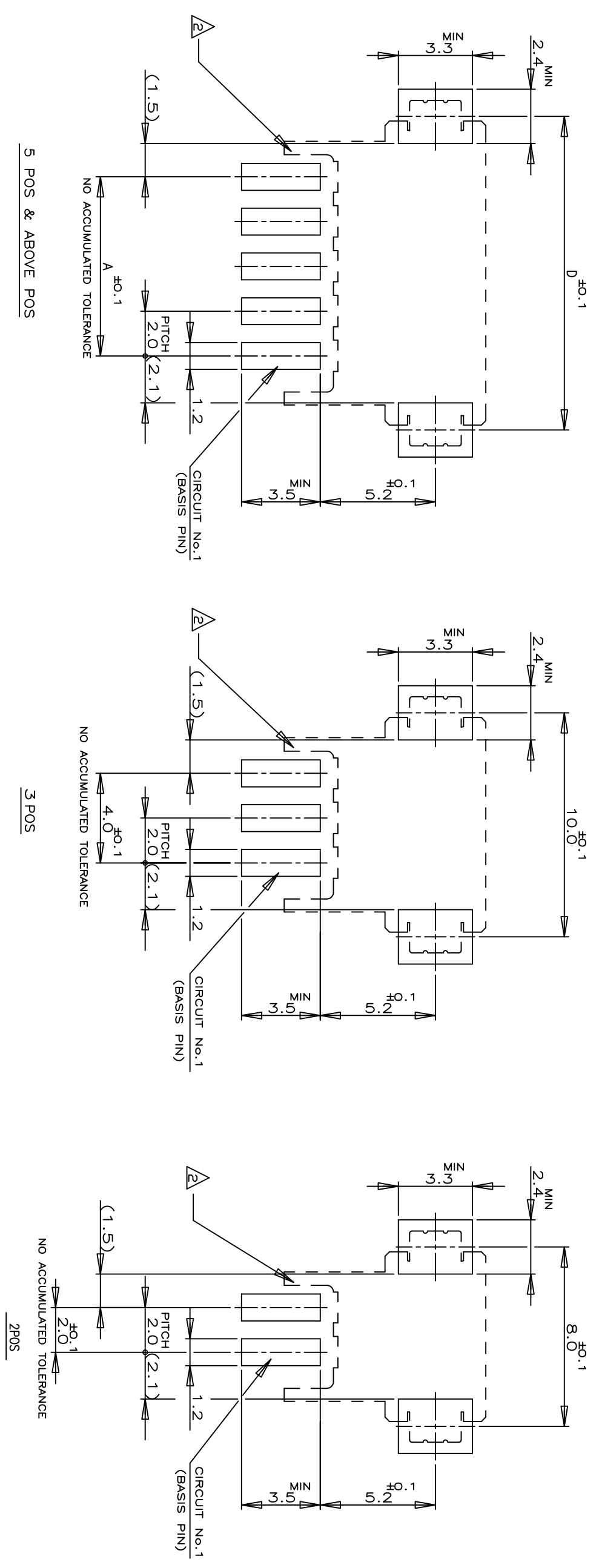
SHEET: 5 of 6

REV: C3

TOLERANCES UNLESS OTHERWISE SPECIFIED:  
10±0.2  
30±0.10  
100±0.30  
ANGEL ±3°

Loc	DIST	P	LTR	DESCRIPTION	DATE	DWN	APVD
ES	00	-	-	SEE SHEET 1	-	-	-

LAYOUT FOR 2-292173-X,3-2-292173-X



RECOMMENDED P.C.BOARD LAYOUT  
(P.C.B THK:0.8mm MIN)

THIS DRAWING IS A CONTROLLED DOCUMENT.

DIMENSIONS: MM	TOLERANCES UNLESS OTHERWISE SPECIFIED:	DMN	NAME
0 PLC	± -	CHK	<p>TE Connectivity</p> <p>SMT TYPE POST HDR ASS'Y (H) W/O, WITH TAIL TYPE (TE CT CONN. 2mm PITCH)</p>
1 PLC	± -	APVD	
2 PLC	± -	PRODUCT SPEC	
3 PLC	± -	APPLICATION SPEC	
4. P.C.B ANGLES	± -	WEIGHT	SIZE
FINISH	± -	CUSTOMER DRAWING	A3
			CAGE CODE
			00779
			DRAWING NO
			292173
			SCALE
			5:1
			SHEET
			6 OF 6
			REV
			C3

## X-ON Electronics

Largest Supplier of Electrical and Electronic Components

*Click to view similar products for [Headers & Wire Housings](#) category:*

*Click to view products by [TE Connectivity](#) manufacturer:*

Other Similar products are found below :

[95000-104TRLF](#) [10135584-644402LF](#) [DF62W-EP2022PCA](#) [95000-106TRLF](#) [DF62W-2022SCA](#) [DF62W-EP2022PC](#) [2203348](#) [DF62W-2022SC](#) [1084018](#) [1029039](#) [1084017](#) [802-10-012-10-002000](#) [1112640](#) [1112639](#) [000-34000](#) [0009482033](#) [0009507031](#) [57102-S06-03LF](#) [57202-S52-04LF](#) [PCN6-15S-2.5E](#) [0039019024](#) [58102-G61-06LF](#) [582553-1](#) [0009508121](#) [0050291907](#) [018731A](#) [LY20-4P-DT1-P1E-BR](#) [02.125.8002.8](#) [60101931](#) [60598-1 \(Cut Strip\)](#) [M1625-3R/100](#) [61062-3](#) [61082-181009](#) [636-1427](#) [638009-1](#) [641938-9](#) [641991-4](#) [644168-1](#) [647662-1](#) [65039-019ELF](#) [65817-002LF](#) [65817-015LF](#) [65863-015LF](#) [66207-023LF](#) [67016-026LF](#) [67046-001LF](#) [67095-007LF](#) [68002-116](#) [68016-236H](#) [68648-049](#)