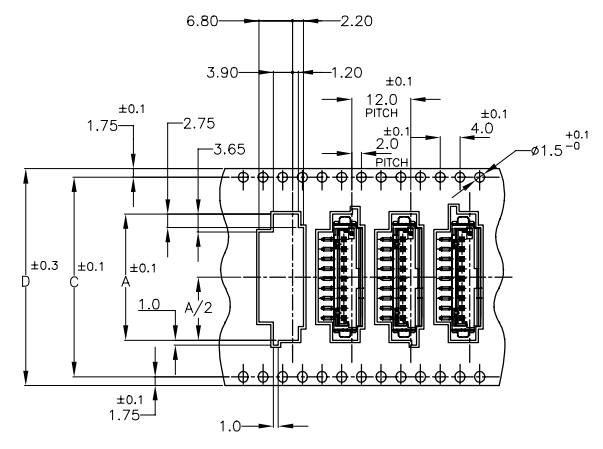
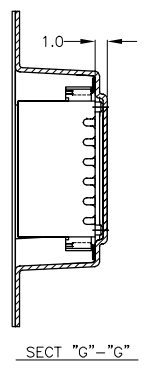
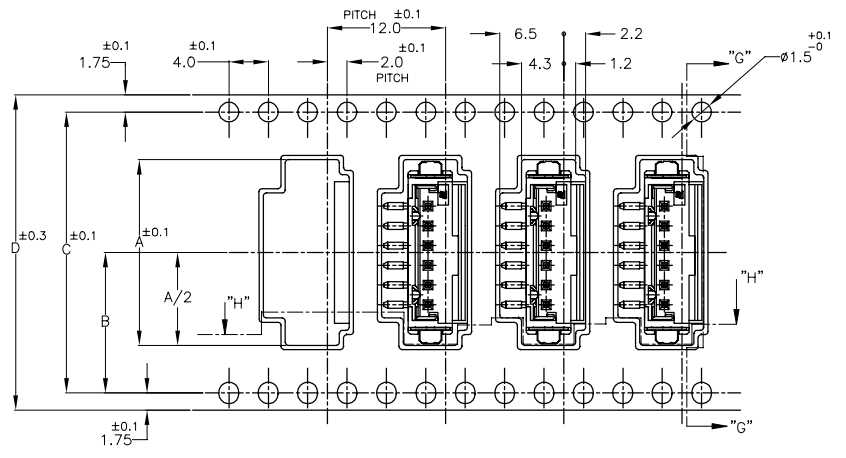
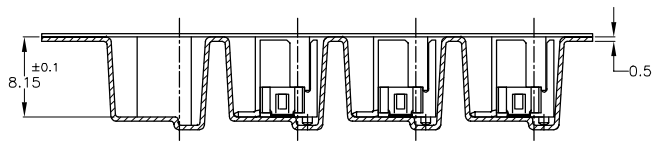


LOC	DIST	REVISIONS					
ES	00	P	LTR	DESCRIPTION	DATE	DWN	APVD
		C2	ECR-21-101067		09APR2021	T.Q	N.S

(AS SHOWN : -6)



9P ONLY



SECT "H"-"H"

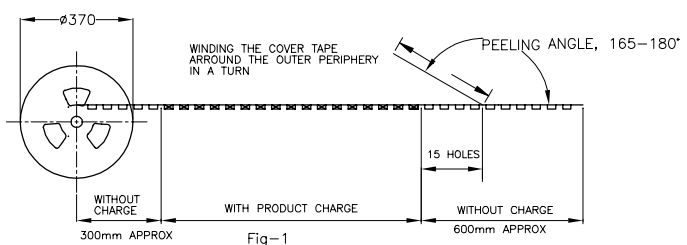


Fig-1

BLACK		44.0	40.5	20.25	25.6	9	2-292174-9
		44.0	40.4	20.2	22.9	8	2--8
		32.0	28.4	14.2	20.9	7	2--7
		32.0	28.4	14.2	18.9	6	2--6
		32.0	28.4	14.2	16.9	5	2--5
		32.0	28.4	14.2	14.9	4	2--4
NATURAL	WITH	32.0	28.4	14.2	12.9	3	2--3
		32.0	28.4	14.2	10.9	2	2-292174-2
		44.0	40.5	20.25	25.6	9	292174-9
		44.0	40.4	20.2	22.9	8	2--8
		32.0	28.4	14.2	20.9	7	2--7
		32.0	28.4	14.2	18.9	6	2--6
	32.0	28.4	14.2	16.9	5	2--5	
	32.0	28.4	14.2	14.9	4	2--4	
	32.0	28.4	14.2	12.9	3	2--3	
	WITH	32.0	28.4	14.2	10.9	2	292174-2
COLOR PLATE	D	C	B	A	700	2	TAPING P/N

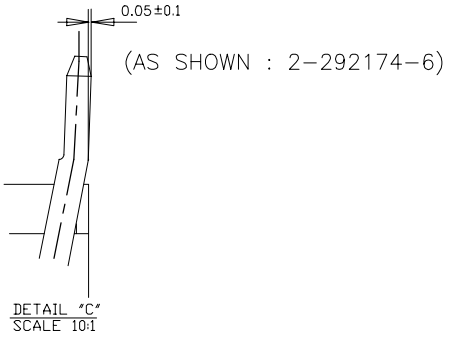
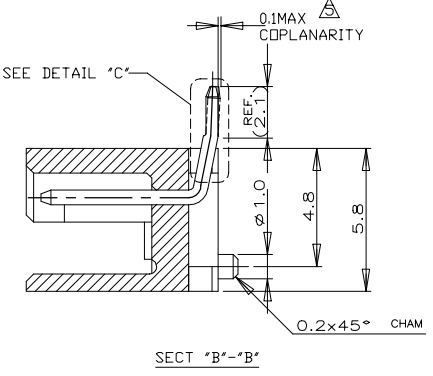
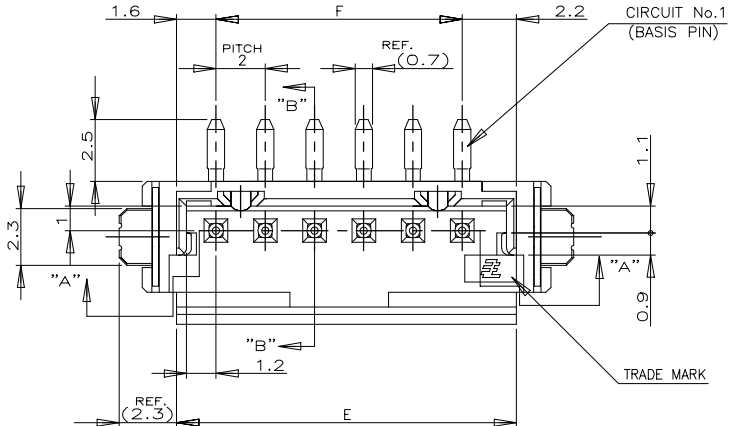
- NOTES:
- PEELING RESISTANCE: 0.196N(20gf)-0.686N(70gf)
PEELING SPEED: 300mm/min

TOLERANCE UNLESS OTHERWISE SPECIFIED	
10 > *	±0.2
30 > * > 10	±0.25
100 > * > 30	±0.3
ANGLE	±3'

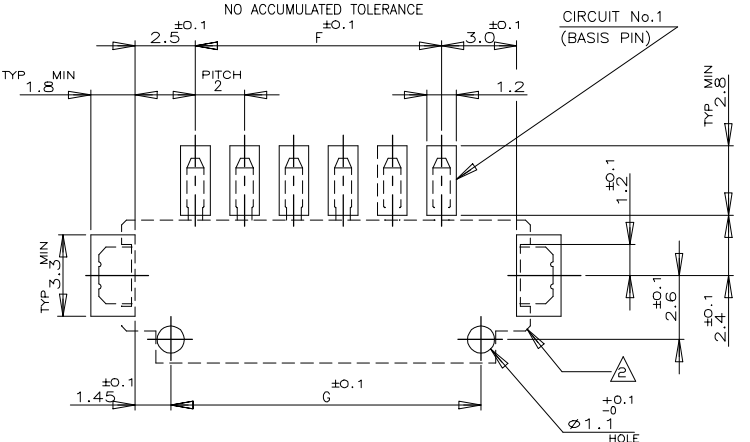
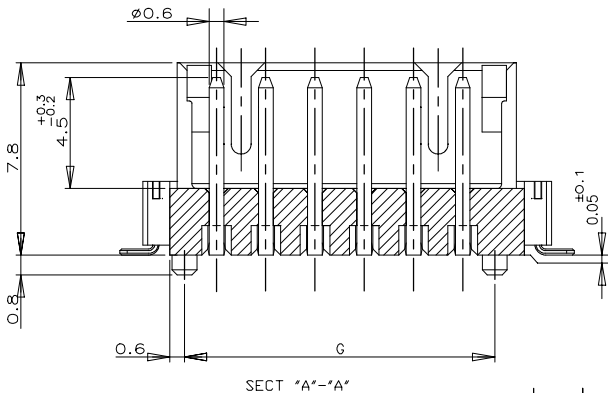
THIS DRAWING IS A CONTROLLED DOCUMENT.		DWN	JACK HOU	17SEP10
DIMENSIONS: MM		CHK	MARTIN LI	17SEP10
TOLERANCES UNLESS OTHERWISE SPECIFIED:		APVD	STEVEN YAO	17SEP10
0 PLC ±		PRODUCT SPEC	NAME	
1 PLC ±		APPLICATION SPEC	ON TAPING (EMBOSS)	
2 PLC ±		WEIGHT	TE CT CONNECTOR POST HEADER ASS'Y	
3 PLC ±		CUSTOMER DRAWING	(BOX-V SMT W/BOSS & TAIL)	
4 PLC ±		SCALE	A3	00779
ANGLES ±		DRAWING NO	C-292174	
FINISH		RESTRICTED TO	-	
		SHEET	1 of 3	
		REV	C2	

THIS DRAWING IS UNPUBLISHED. RELEASED FOR PUBLICATION
 © COPYRIGHT - By - ALL RIGHTS RESERVED.

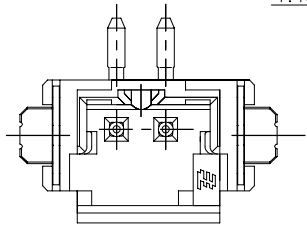
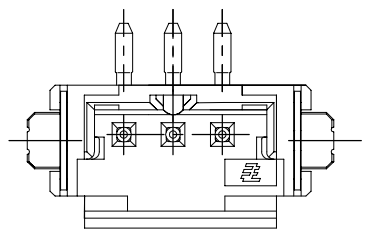
LOC	DIST	REVISIONS					
ES	00	P	LTR	DESCRIPTION	DATE	DWN	APVD
		-	-	SEE SHEET 1	-	-	-



- NOTES:
- MATERIAL:HSG: NYLON (UL94V-0)
 COLOR:BLACK OR NATURAL
 POST:TIN BRASS
 TAIL:TIN BRASS
 - △ OCCUPANT AREA ON PC BOARD
 4. PRODUCT SPEC :108-60016
 △ TO BE MEASURED WITH CONNECTOR PLACED ON HORIZONTAL DATUM SURFACE, FLOAT OF SOLDER TINE AND TAIL FROM DATUM SURFACE IS 0.1mm MAX
 △ 292174-6 SHOWED ON SHEET 3/3.



18.6	16.0	19.8	9	2-292174-9	292174-9
16.6	14.0	17.8	8	2-8	-8
14.6	12.0	15.8	7	2-7	-7
12.6	10.0	13.8	6	2-6	-6
10.6	8.0	11.8	5	2-5	-5
8.6	6.0	9.8	4	2-4	-4
6.6	4.0	7.8	3	2-3	-3
4.6	2.0	5.8	2	2-292174-2	292174-2
G	F	E	Pos.	BLACK	NATURAL
P/N					



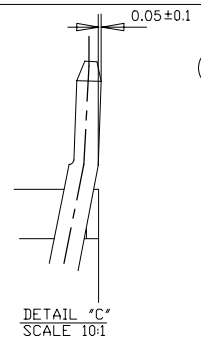
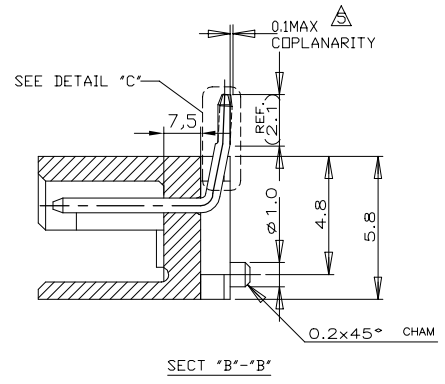
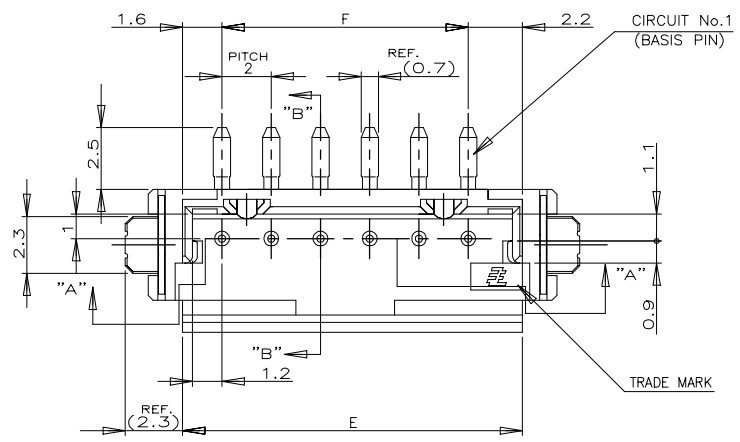
TOLERANCES UNLESS OTHERWISE SPECIFIED:
 10>* : ±0.2
 30>*>10 : ±0.25
 100>*>30 : ±0.3
 ANGEL : ±3°

THIS DRAWING IS A CONTROLLED DOCUMENT.

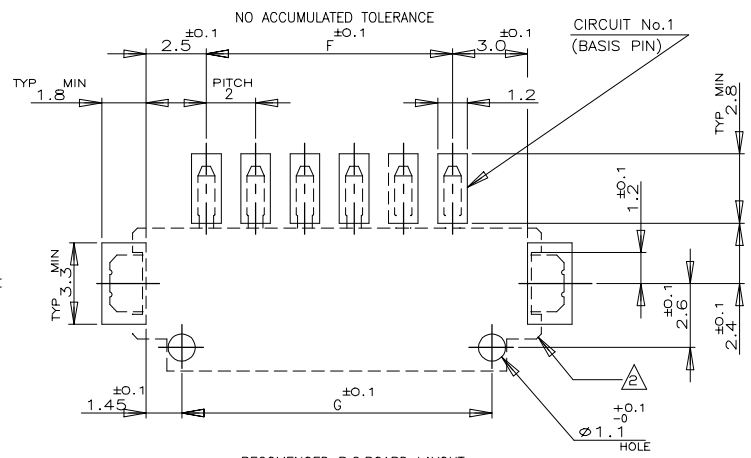
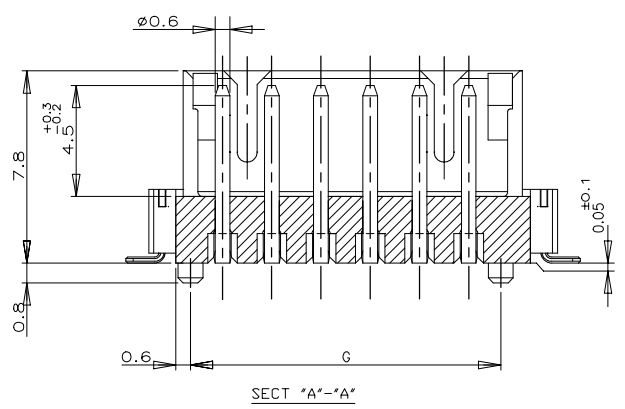
DIMENSIONS: MM	TOLERANCES UNLESS OTHERWISE SPECIFIED:	DWN JACK HOU 17SEP10	TE Connectivity SMT TYPE POST HDR ASS'Y(V) WITH BOSS & WITH TAIL TYPE TE CT CONN. 2 mm PITCH	RESTRICTED TO	
		CHK MARTIN LI 17SEP10		SIZE A3	CAGE CODE 00779
		APVD STEVEN YAO 17SEP10		DRAWING NO C-292174	SHEET 2 of 3
		PRODUCT SPEC SEE NOTE		SCALE 5:1	REV C2
		APPLICATION SPEC		CUSTOMER DRAWING	
MATERIAL SEE NOTE	FINISH SEE NOTE	WEIGHT -			

THIS DRAWING IS UNPUBLISHED. RELEASED FOR PUBLICATION
 © COPYRIGHT - By - ALL RIGHTS RESERVED.

LOC	DIST	REVISIONS					
ES	00	P	LTR	DESCRIPTION	DATE	DWN	APVD
		-	-	SEE SHEET 1	-	-	-



- NOTES:
- MATERIAL:HSG: NYLON (UL94V-0)
 COLOR:BLACK OR NATURAL
 POST:TIN BRASS
 TAIL:TIN BRASS
 - △ OCCUPANT AREA ON PC BOARD
 - PRODUCT SPEC :108-60016
 - △ TO BE MEASURED WITH CONNECTOR PLACED ON HORIZONTAL DATUM SURFACE, FLOAT OF SOLDER TINE AND TAIL FROM DATUM SURFACE IS 0.1mm MAX



RECOMMENDED P.C. BOARD LAYOUT
 (P.C.B THK:0.8mm MIN)

12.6	10.0	13.8	6	292174-6
G	F	E	Pos.	NATURAL
				P/N

THIS DRAWING IS A CONTROLLED DOCUMENT.		DWN	JACK HOU	17SEP10	 TE Connectivity	NAME SMT TYPE POST HDR ASS'Y(V) WITH BOSS &WITH TAIL TYPE TE CT CONN. 2 mm PITCH)
DIMENSIONS: MM		CHK	MARTIN LI	17SEP10		
TOLERANCES UNLESS OTHERWISE SPECIFIED:		APVD	STEVEN YAO	17SEP10		
0 PLC ±- 1 PLC ±- 2 PLC ±- 3 PLC ±- 4 PLC ±- ANGLES ±-		PRODUCT SPEC	SEE NOTE			
TOLERANCES UNLESS OTHERWISE SPECIFIED:		APPLICATION SPEC	-		SIZE	A3
10>* : ±0.2		WEIGHT	-		CAGE CODE	00779
30>*10 : ±0.25		MATERIAL	SEE NOTE		DRAWING NO	C-292174
100>*30 : ±0.3		FINISH	SEE NOTE		RESTRICTED TO	-
ANGEL : ±3°		CUSTOMER DRAWING	-		SCALE	5:1
		SHEET	3 of 3		REV	C2

X-ON Electronics

Largest Supplier of Electrical and Electronic Components

Click to view similar products for [Headers & Wire Housings](#) category:

Click to view products by [TE Connectivity](#) manufacturer:

Other Similar products are found below :

[892-18-020-10-001101](#) [58102-G61-06LF](#) [582553-1](#) [0009485154](#) [009176003701906](#) [0050291907](#) [LY20-4P-DT1-P1E-BR](#) [02.125.8002.8](#)
[609-3404](#) [61062-3](#) [61082-181009](#) [622-3653LF](#) [63453-116](#) [636-1030](#) [636-1427](#) [636-3427](#) [636-4007](#) [641938-9](#) [641991-4](#) [644827-2](#) [65817-](#)
[010LF](#) [65817-015LF](#) [65863-015LF](#) [66207-023LF](#) [67095-007LF](#) [67601157](#) [68645-018](#) [68648-049](#) [70.362.1628.0](#) [70-4210](#) [70-4226B](#) [70-](#)
[4853B](#) [707-5020](#) [707-5028](#) [71.350.2428.0](#) [71918-208LF](#) [71961-016LF](#) [733-134](#) [733-162](#) [754199-000](#) [760-3052](#) [787-8014-00](#) [79531-3000](#)
[FCN-360C032-B](#) [FCN-367T-T012/H](#) [FCN-723D010/2](#) [80.063.4001.1](#) [800-90-001-10-001000](#) [800-90-010-10-002000](#) [801-43-002-10-013000](#)