

4

3

2

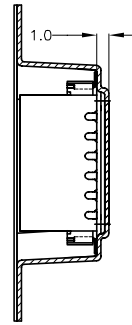
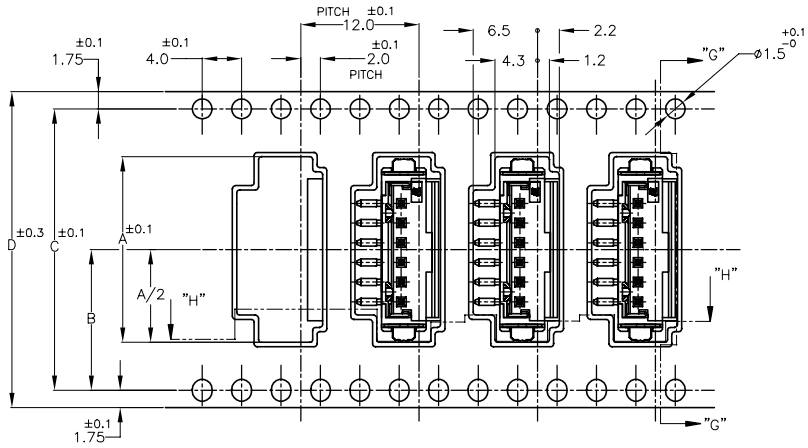
1

© TE Connectivity. All Rights Reserved.

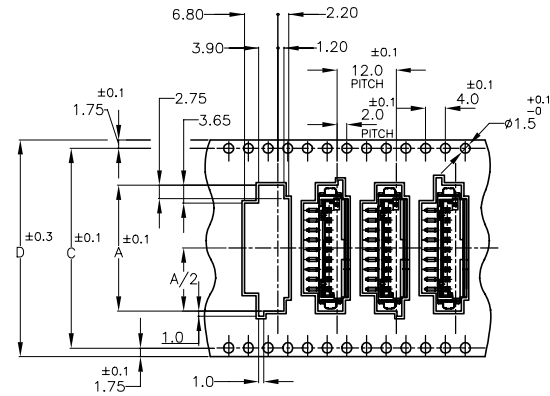
REVISIONS

P	LTR	DESCRIPTION	DATE	DWN	APVD
	B3	ECR-21-101067	06APR2021	T.Q	N.S

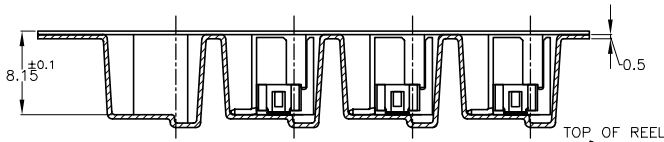
(AS SHOWN : -6)



SECT "G"-G"



9P ONLY



SECT "H"-H"

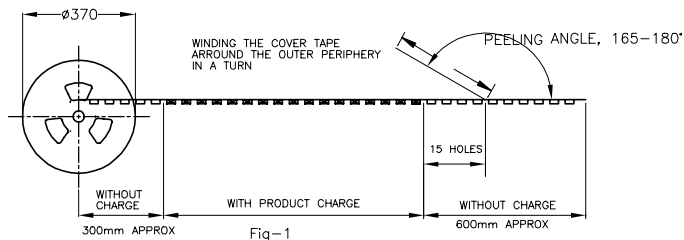


Fig-1

COLOR	PLATE	D	C	B	A	QTY/REEL	POS	TAPING P/N	
								9	2-292175-9
BLACK		44.0	40.50	20.25	25.60	9	2-	2-292175-9	-8
		44.0	40.4	20.2	22.9	8	2-	-	-7
		32.0	28.4	14.2	20.9	7	2-	-	-6
		32.0	28.4	14.2	18.9	6	2-	-	-5
		32.0	28.4	14.2	16.9	5	2-	-	-4
		32.0	28.4	14.2	14.9	4	2-	-	-3
NATURAL	WITH	32.0	28.4	14.2	10.9	700	2	2-292175-2	-
		44.0	40.50	20.25	25.60	9	2-	292175-9	-8
		44.0	40.4	20.2	22.9	8	2-	-	-7
		32.0	28.4	14.2	20.9	7	2-	-	-6
		32.0	28.4	14.2	18.9	6	2-	-	-5
		32.0	28.4	14.2	16.9	5	2-	-	-4
	32.0	28.4	14.2	14.9	4	2-	-	-3	
	WITH	32.0	28.4	14.2	10.9	700	2	292175-2	-

- NOTES:
1. PEELING RESISTANCE: 0.196N(20gf)-0.686N(70gf)  
SPEED: 300mm/min

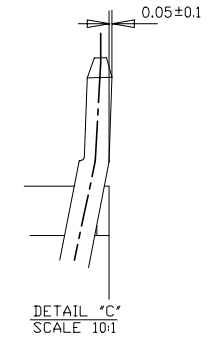
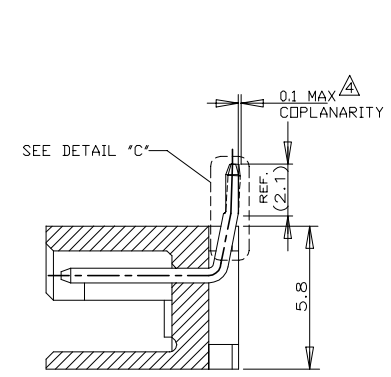
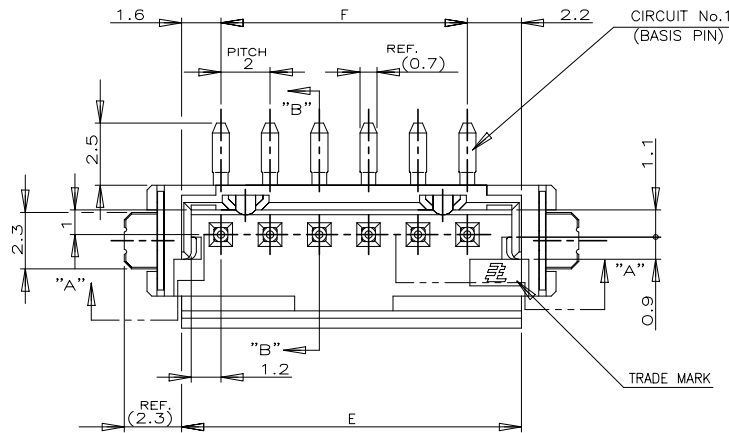
TOLERANCE UNLESS OTHERWISE SPECIFIED

10>*     ±0.2
30>*10   ±0.25
100>*30  ±0.3
ANGLE    ±3°

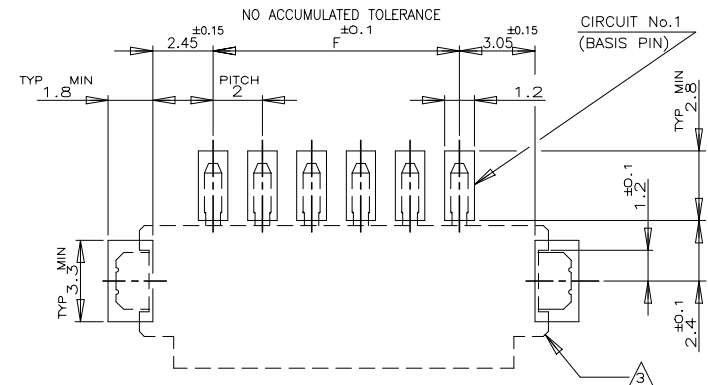
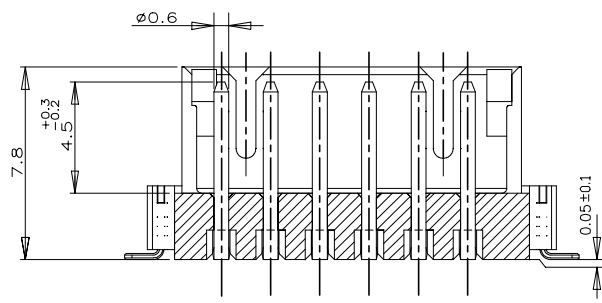
THIS DRAWING IS A CONTROLLED DOCUMENT.		DWN	JACH HOU	19SEP10
DIMENSIONS: mm		CHK	MARTIN LI	19SEP10
TOLERANCES UNLESS OTHERWISE SPECIFIED:		APVD	STEVEN YAO	19SEP10
0 PLC ±		NAME	TE Connectivity	
1 PLC ±		PRODUCT SPEC	ON TAPING	
2 PLC ±		APPLICATION SPEC	TE CT CONNECTOR POST HEADER ASSY	
3 PLC ±		WEIGHT	BOX V SMT	
4 PLC ±		CUSTOMER DRAWING	SIZE	A3
ANGLES ±		SCALE	CAGE CODE	00779
FINISH ±		DRAWING NO	C-292175	
MATERIAL		RESTRICTED TO	-	
		SHEET	1 of 3	
		REV	B3	

REVISIONS

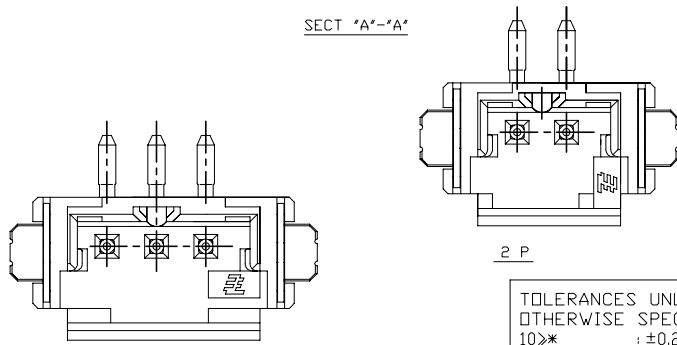
P	LTR	DESCRIPTION	DATE	DWN	APVD
-	-	SEE SHEET 1	-	-	-



- NOTES:
- MATERIAL:HSG-NYLON (UL94V-0)  
COLOR:NATURAL,BLACK  
POST:TIN BRASS  
TAIL: TIN BRASS
  - △ OCCUPANT AREA ON PC BOARD  
 △ TO BE MEASURED WITH CONNECTOR PLACED ON HORIZONTAL DATUM SURFACE, FLOAT OF SOLDER TINE AND TAIL FROM DATUM SURFACE IS 0.1mm MAX



16.0	19.8	9	2-292175-9	292175-9
14.0	17.8	8	2- -8	-8
12.0	15.8	7	2- -7	-7
10.0	13.8	6	2- -6	-6
8.0	11.8	5	2- -5	-5
6.0	9.8	4	2- -4	-4
4.0	7.8	3	2- -3	-3
2.0	5.8	2	2-292175-2	292175-2
F	E	POS.	BLACK	NATURAL
P/N				



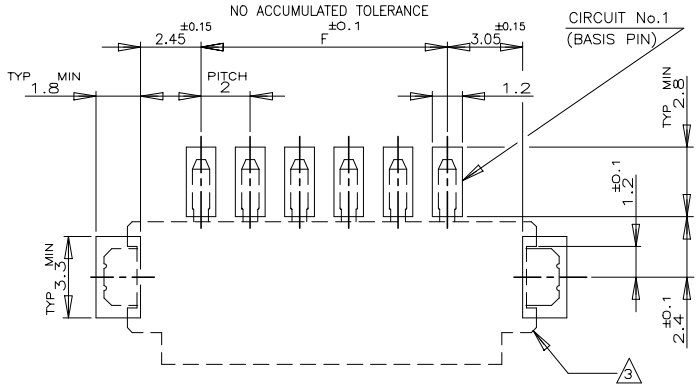
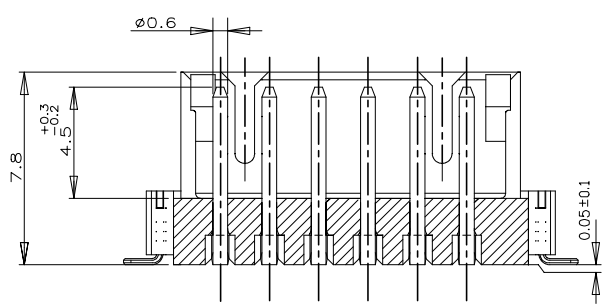
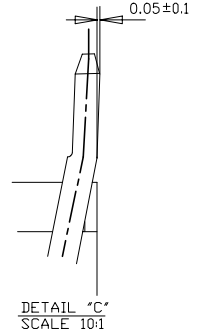
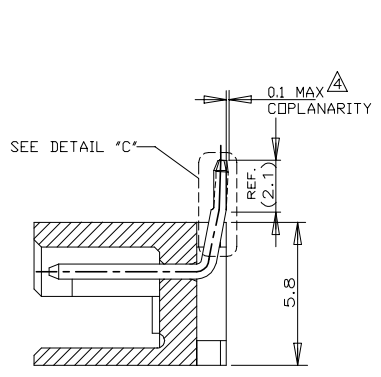
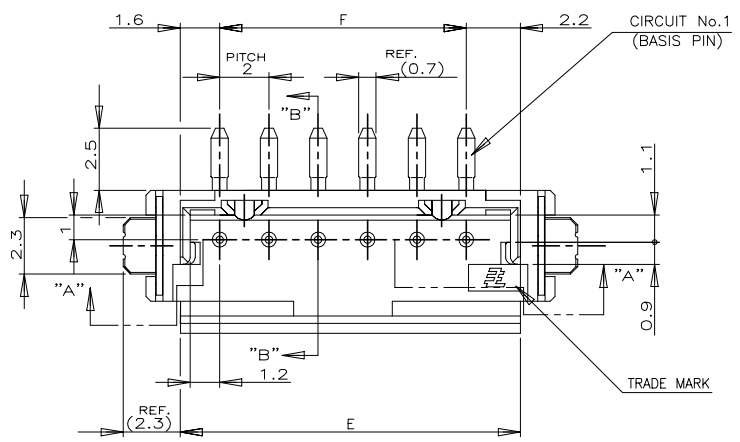
TOLERANCES UNLESS OTHERWISE SPECIFIED:

10**	: ±0.2
30**>10	: ±0.25
100**>30	: ±0.3
ANGEL	: ±3°

THIS DRAWING IS A CONTROLLED DOCUMENT.		DWN	JACH HOU	19SEP10
DIMENSIONS: mm		CHK	MARTIN LI	19SEP10
TOLERANCES UNLESS OTHERWISE SPECIFIED:		APVD	STEVEN YAO	19SEP10
0 PLC	±	NAME	ON TAPING (EMBOSS)	
1 PLC	±	PRODUCT SPEC	TE CT CONNECTOR POST HEADER ASS'Y	
2 PLC	±	APPLICATION SPEC	(BOX-V SMT W/O BOSS & W/TAI)	
3 PLC	±	WEIGHT	108-60016	
4 PLC	±	CUSTOMER DRAWING	108-60016	
ANGLES	±	SCALE	A3 00779 C-292175	
FINISH	±	SHEET	2 of 3	
MATERIAL		REV	B3	

<b>TE</b> TE Connectivity	
ON TAPING (EMBOSS)	
TE CT CONNECTOR POST HEADER ASS'Y	
(BOX-V SMT W/O BOSS & W/TAI)	
SIZE	RESTRICTED TO
A3	-
CAGE CODE	
00779	
DRAWING NO	
C-292175	
SCALE	
SHEET	
2 of 3	
REV	
B3	

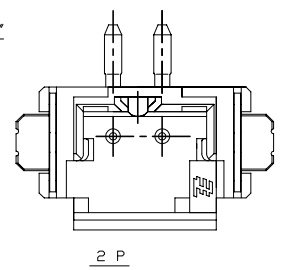
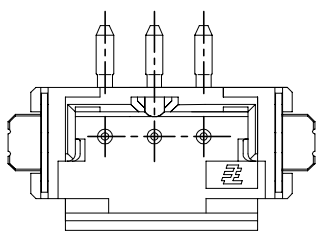
REVISIONS					
P	LTR	DESCRIPTION	DATE	DWN	APVD
-	-	SEE SHEET 1	-	-	-



- NOTES:
- MATERIAL:HSG-NYLON (UL94V-0)  
COLOR:NATURAL,BLACK  
POST:TIN BRASS  
TAIL: TIN BRASS
  - OCCUPANT AREA ON PC BOARD  
 TO BE MEASURED WITH CONNECTOR PLACED ON HORIZONTAL DATUM SURFACE,FLOAT OF SOLDER TINE AND TAIL FROM DATUM SURFACE IS 0.1mm MAX

RECOMENOD P.C.BOARD LAYOUT  
(P.C.B THK:0.8mm MIN)

10.0	13.8	6	2-292175-6	292175-6
F	E	POS.	BLACK	NATURAL
P/N				



TOLERANCES UNLESS OTHERWISE SPECIFIED:

10**	: ±0.2
30**>10	: ±0.25
100**>30	: ±0.3
ANGEL	: ±3°

THIS DRAWING IS A CONTROLLED DOCUMENT.

DIMENSIONS: mm	TOLERANCES UNLESS OTHERWISE SPECIFIED: 0 PLC ± 1 PLC ± 2 PLC ± 3 PLC ± 4 PLC ± ANGLES ± FINISH ±
MATERIAL	

DWN	JACH HOU	19SEP10
CHK	MARTIN LI	19SEP10
APVD	STEVEN YAO	19SEP10
PRODUCT SPEC	108-60016	
APPLICATION SPEC		
WEIGHT		
CUSTOMER DRAWING		



ON TAPING (EMBOSS)  
TE CT CONNECTOR POST HEADER ASS'Y  
(BOX-V SMT W/O BOSS & W/TAI)

SIZE	A3	CAGE CODE	00779	DRAWING NO	C-292175	RESTRICTED TO	-
SCALE		SHEET	3 of 3	REV	B3		

## X-ON Electronics

Largest Supplier of Electrical and Electronic Components

*Click to view similar products for [Headers & Wire Housings](#) category:*

*Click to view products by [TE Connectivity](#) manufacturer:*

Other Similar products are found below :

[892-18-020-10-001101](#) [58102-G61-06LF](#) [582553-1](#) [0009485154](#) [009176003701906](#) [0050291907](#) [LY20-4P-DT1-P1E-BR](#) [02.125.8002.8](#)  
[609-3404](#) [61062-3](#) [61082-181009](#) [622-3653LF](#) [63453-116](#) [636-1030](#) [636-1427](#) [636-3427](#) [636-4007](#) [641938-9](#) [641991-4](#) [644827-2](#) [65817-](#)  
[010LF](#) [65817-015LF](#) [65863-015LF](#) [66207-023LF](#) [67095-007LF](#) [67601157](#) [68645-018](#) [68648-049](#) [70.362.1628.0](#) [70-4210](#) [70-4226B](#) [70-](#)  
[4853B](#) [707-5020](#) [707-5028](#) [71.350.2428.0](#) [71918-208LF](#) [71961-016LF](#) [733-134](#) [733-162](#) [754199-000](#) [760-3052](#) [787-8014-00](#) [79531-3000](#)  
[FCN-360C032-B](#) [FCN-367T-T012/H](#) [FCN-723D010/2](#) [80.063.4001.1](#) [800-90-001-10-001000](#) [800-90-010-10-002000](#) [801-43-002-10-013000](#)