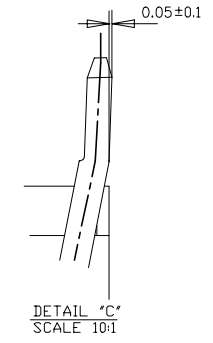
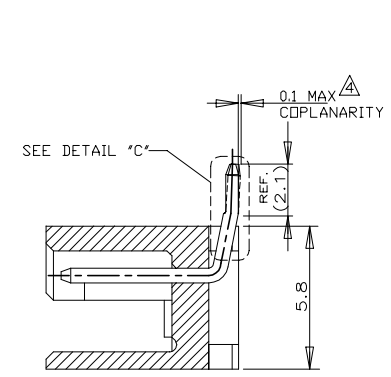
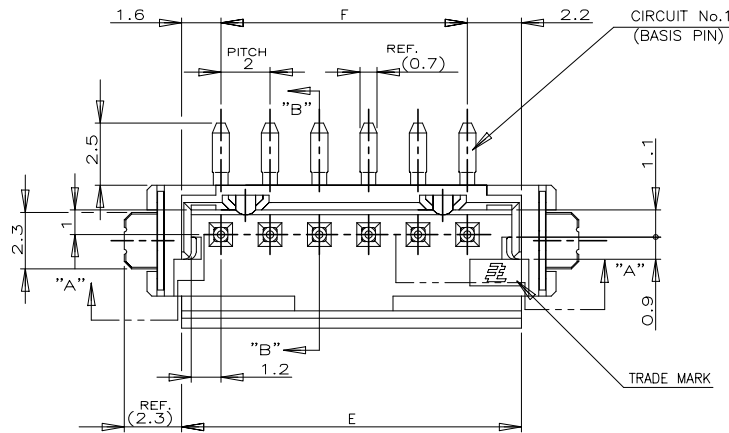
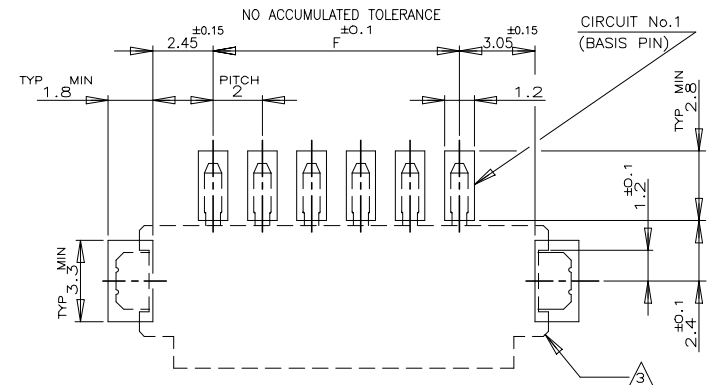
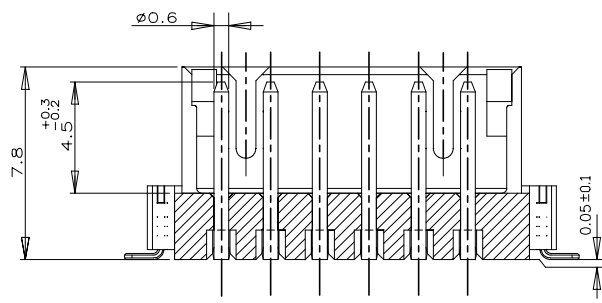


REVISIONS

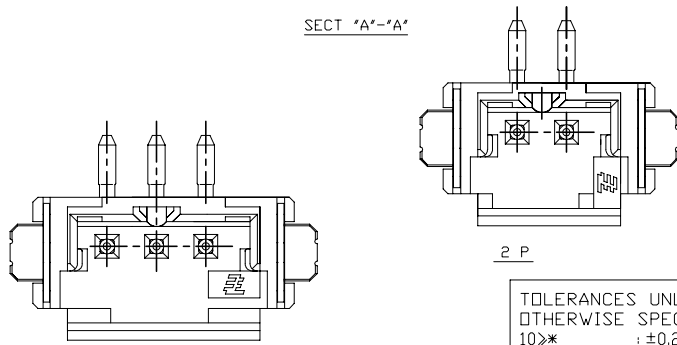
| P | LTR | DESCRIPTION | DATE | DWN | APVD |
|---|-----|-------------|------|-----|------|
| - | - | SEE SHEET 1 | - | - | - |



- NOTES:
- MATERIAL:HSG-NYLON (UL94V-0)
COLOR:NATURAL,BLACK
POST:TIN BRASS
TAIL: TIN BRASS
 - △ OCCUPANT AREA ON PC BOARD
△ TO BE MEASURED WITH CONNECTOR PLACED ON HORIZONTAL DATUM SURFACE, FLOAT OF SOLDER TINE AND TAIL FROM DATUM SURFACE IS 0.1mm MAX



| | | | | |
|------|------|------|------------|----------|
| 16.0 | 19.8 | 9 | 2-292175-9 | 292175-9 |
| 14.0 | 17.8 | 8 | 2- -8 | -8 |
| 12.0 | 15.8 | 7 | 2- -7 | -7 |
| 10.0 | 13.8 | 6 | 2- -6 | -6 |
| 8.0 | 11.8 | 5 | 2- -5 | -5 |
| 6.0 | 9.8 | 4 | 2- -4 | -4 |
| 4.0 | 7.8 | 3 | 2- -3 | -3 |
| 2.0 | 5.8 | 2 | 2-292175-2 | 292175-2 |
| F | E | POS. | BLACK | NATURAL |
| P/N | | | | |



TOLERANCES UNLESS OTHERWISE SPECIFIED:

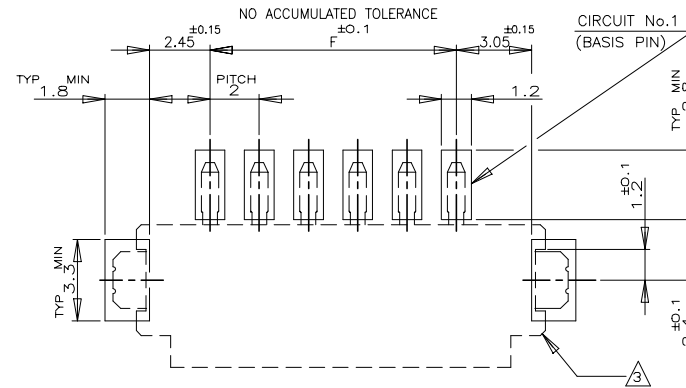
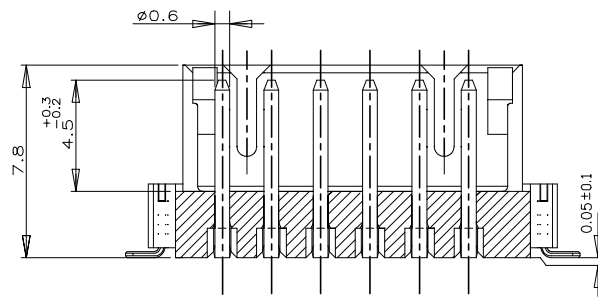
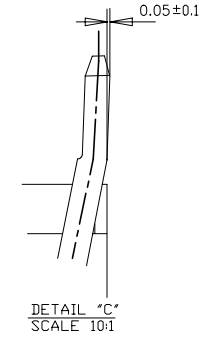
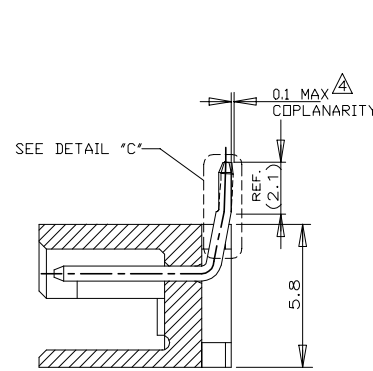
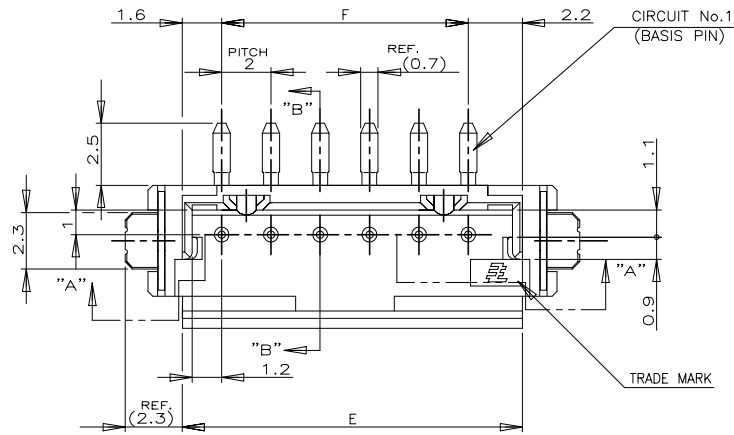
| | |
|----------|---------|
| 10** | : ±0.2 |
| 30**>10 | : ±0.25 |
| 100**>30 | : ±0.3 |
| ANGEL | : ±3° |

| | | | | |
|--|---|------------------|-----------------------------------|---------|
| THIS DRAWING IS A CONTROLLED DOCUMENT. | | DWN | JACH HOU | 19SEP10 |
| DIMENSIONS: mm | | CHK | MARTIN LI | 19SEP10 |
| TOLERANCES UNLESS OTHERWISE SPECIFIED: | | APVD | STEVEN YAO | 19SEP10 |
| 0 PLC | ± | NAME | ON TAPING (EMBOSS) | |
| 1 PLC | ± | PRODUCT SPEC | TE CT CONNECTOR POST HEADER ASS'Y | |
| 2 PLC | ± | APPLICATION SPEC | (BOX-V SMT W/O BOSS & W/TAI) | |
| 3 PLC | ± | WEIGHT | 108-60016 | |
| 4 PLC | ± | CUSTOMER DRAWING | 108-60016 | |
| ANGLES | ± | SCALE | A3 00779 C-292175 | |
| FINISH | ± | SHEET | 2 of 3 | |
| MATERIAL | | REV | B3 | |

| | |
|-----------------------------------|---------------|
| TE TE Connectivity | |
| ON TAPING (EMBOSS) | |
| TE CT CONNECTOR POST HEADER ASS'Y | |
| (BOX-V SMT W/O BOSS & W/TAI) | |
| SIZE | RESTRICTED TO |
| A3 | - |
| CAGE CODE | |
| 00779 | |
| DRAWING NO | |
| C-292175 | |
| SCALE | |
| SHEET | |
| 2 of 3 | |
| REV | |
| B3 | |

REVISIONS

| P | LTR | DESCRIPTION | DATE | DWN | APVD |
|---|-----|-------------|------|-----|------|
| - | - | SEE SHEET 1 | - | - | - |

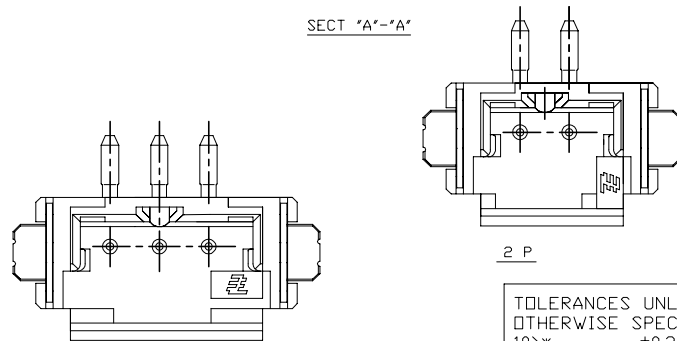


NOTES:

- MATERIAL:HSG-NYLON (UL94V-0)
COLOR:NATURAL, BLACK
POST:TIN BRASS
TAIL: TIN BRASS
- △ OCCUPANT AREA ON PC BOARD
- △ TO BE MEASURED WITH CONNECTOR PLACED ON HORIZONTAL DATUM SURFACE, FLOAT OF SOLDER TINE AND TAIL FROM DATUM SURFACE IS 0.1mm MAX

RECOMENOD P.C.BOARD LAYOUT
(P.C.B THK:0.8mm MIN)

| | | | | |
|------|------|------|------------|----------|
| 10.0 | 13.8 | 6 | 2-292175-6 | 292175-6 |
| F | E | POS. | BLACK | NATURAL |
| P/N | | | | |



TOLERANCES UNLESS OTHERWISE SPECIFIED:

| | |
|----------|---------|
| 10** | : ±0.2 |
| 30**>10 | : ±0.25 |
| 100**>30 | : ±0.3 |
| ANGEL | : ±3° |

THIS DRAWING IS A CONTROLLED DOCUMENT.

DIMENSIONS:
mm

TOLERANCES UNLESS OTHERWISE SPECIFIED:

| | |
|--------|---|
| 0 PLC | ± |
| 1 PLC | ± |
| 2 PLC | ± |
| 3 PLC | ± |
| 4 PLC | ± |
| ANGLES | ± |
| FINISH | ± |

MATERIAL

DWN JACH HOU 19SEP10
CHK MARTIN LI 19SEP10
APVD STEVEN YAO 19SEP10
PRODUCT SPEC
108-60016
APPLICATION SPEC

WEIGHT

CUSTOMER DRAWING

DWN JACH HOU 19SEP10
CHK MARTIN LI 19SEP10
APVD STEVEN YAO 19SEP10
NAME

ON TAPING (EMBOSS)
TE CT CONNECTOR POST HEADER ASS'Y
(BOX-V SMT W/O BOSS & W/TAI)

| | | | |
|-------|-----------|------------|---------------|
| SIZE | CAGE CODE | DRAWING NO | RESTRICTED TO |
| A3 | 00779 | C-292175 | - |
| SCALE | | SHEET | REV |
| | | 3 of 3 | B3 |

X-ON Electronics

Largest Supplier of Electrical and Electronic Components

Click to view similar products for [Headers & Wire Housings](#) category:

Click to view products by [TE Connectivity](#) manufacturer:

Other Similar products are found below :

[892-18-020-10-001101](#) [58102-G61-06LF](#) [582553-1](#) [0009485154](#) [009176003701906](#) [0050291907](#) [LY20-4P-DT1-P1E-BR](#) [02.125.8002.8](#)
[609-3404](#) [61062-3](#) [61082-181009](#) [622-3653LF](#) [63453-116](#) [636-1030](#) [636-1427](#) [636-3427](#) [636-4007](#) [641938-9](#) [641991-4](#) [644827-2](#) [65817-](#)
[010LF](#) [65817-015LF](#) [65863-015LF](#) [66207-023LF](#) [67095-007LF](#) [67601157](#) [68645-018](#) [68648-049](#) [70.362.1628.0](#) [70-4210](#) [70-4226B](#) [70-](#)
[4853B](#) [707-5020](#) [707-5028](#) [71.350.2428.0](#) [71918-208LF](#) [71961-016LF](#) [733-134](#) [733-162](#) [754199-000](#) [760-3052](#) [787-8014-00](#) [79531-3000](#)
[FCN-360C032-B](#) [FCN-367T-T012/H](#) [FCN-723D010/2](#) [80.063.4001.1](#) [800-90-001-10-001000](#) [800-90-010-10-002000](#) [801-43-002-10-013000](#)