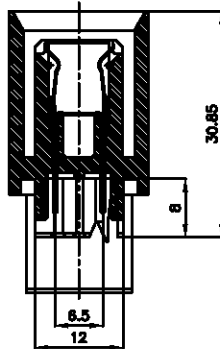


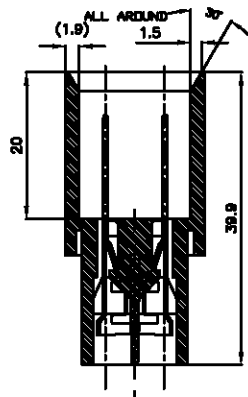
THIS DRAWING IS UNCLASSIFIED
 RELEASED FOR PUBLICATION
 BY THE ELECTRONIC CORPORATION, ALL RIGHTS RESERVED.

REVISIONS			
REV	DATE	DESCRIPTION	BY
ES	00		
A		REVISED FB00-0217-04	H.H.I.E

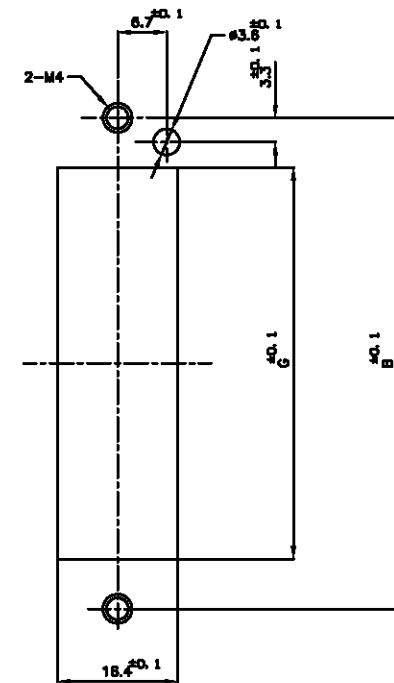
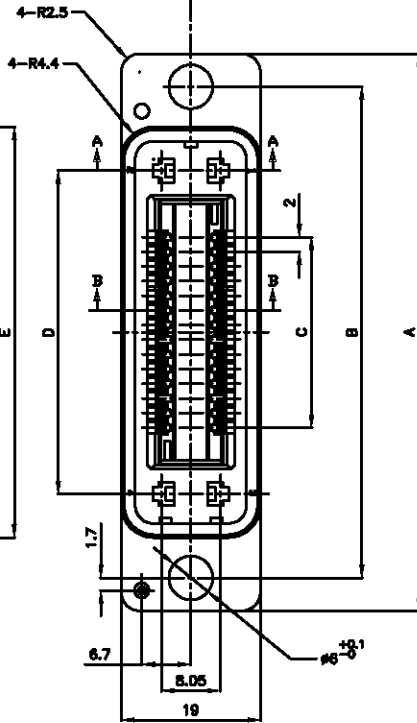
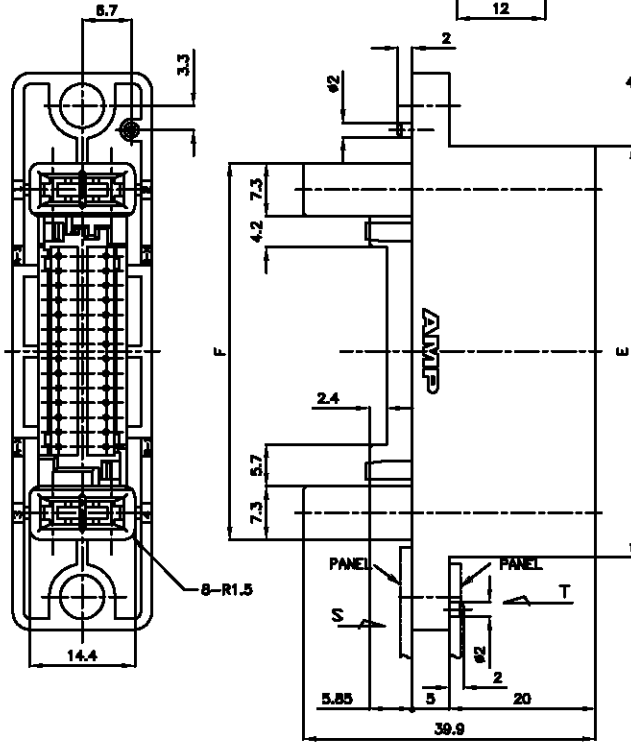
SIGNAL SECTION
SECTION B-B



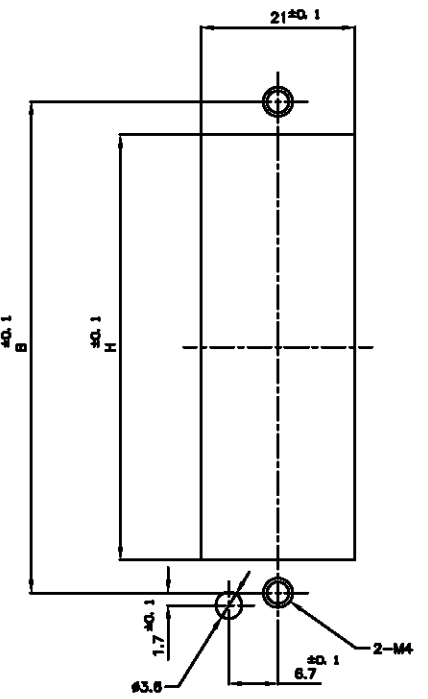
POWER SECTION
SECTION A-A



PANEL CUT DIMENSIONS



VIEW S



VIEW T

NOTES

- MATERIAL
HOUSING THERMO PLASTIC
CONTACTS COPPER ALLOY
- CONTACT FINISH
MATING SIDE NICKEL PL. ALL OVER GOLD PL.
CT MATING SIDE NICKEL PL. ALL OVER MATTE TIN PL.
- APPLIED POWER CONTACT P/N

FINISH	AWG	STRIP	LOOSE PIECE
GOLD PL.	#16-#20	1-179321-3	
TIN PL.	#16-#20	1-179321-2	
	#20-#24	1-179322-2	

△ P: NUMBER OF POWER CONTACT (UNLOADED)
 S: NUMBER OF SIGNAL CONTACT (PRELOADED)

2- 4 -B	1- 4 -4	2- 4 -B	58	53.4	51.4	56	44.1	26	67	76	4-2B	2- 4 -B
2-175133-0	1-173977-0	2-292185-0	50	45.4	43.4	48	36.1	18	59	68	4-20	2-292181-0
APPLIED CT HELDER P/N	APPLIED CT COIL P/N	MATING COUNTER P/N	H	G	F	E	D	C	B	A	PDS (P-S)	P/N

THIS DRAWING IS A CONTROLLED DOCUMENT.

DESIGNER: MM	CHECKED: P/PL	DATE: 114-512
APPROVED: SEE NOTE	DATE: 114-5238	

FOR: J. LIAO	OFFICE: Type Electronics Corporation
BY: S. YAO	OFFICE: Shanghai, P.R.China, 200233
DATE: 108-60022	
PROJECT: 108-60022	
ISSUE: 114-512	
REVISED: 114-5238	
WORK: A2	DATE CODE: 00779
DRAWING NO: C-292181	REVISIONS TO: -
CUSTOMER DRAWING	SCALE: 2:1
	SHEET: 1 OF 1

TOLERANCE UNLESS OTHERWISE SPECIFIED	
100μ	±0.2
300μ>10	±0.25
1000μ>30	±0.3
ANGLE	±3'

X-ON Electronics

Largest Supplier of Electrical and Electronic Components

Click to view similar products for [Heavy Duty Power Connectors](#) category:

Click to view products by [TE Connectivity](#) manufacturer:

Other Similar products are found below :

[647757-1](#) [6643411-1](#) [6646058-2](#) [6646137-1](#) [6646138-1](#) [6646479-1](#) [6646608-1](#) [6646786-1](#) [6646940-1](#) [6651091-1](#) [6651525-1](#) [6651529-1](#)
[6651788-1](#) [696475-1](#) [702-32-01109](#) [703-25-02205](#) [73000005059](#) [73000005642](#) [73080255059](#) [73080965046](#) [765-15-0080A](#) [765-16-0080B](#)
[765-18-0080D](#) [829992-1](#) [902-77-02113](#) [PS00/A0620/6300](#) [PS25/A0420/63](#) [129-1J](#) [1409400](#) [AN0024023](#) [E6374G1](#) [e6389g2](#) [157-43GW8](#)
[MS3117-14AC](#) [1643543-1](#) [1650540-1](#) [1651811-2](#) [1766260-1](#) [1766282-1](#) [1766966-1](#) [1791340000](#) [NLDFT-3-BL-L-S120-M40A](#) [NLDFT-N-](#)
[W-L-C240-M40B](#) [NLS-2-R-C240-M40B](#) [NLS-N-W-C240-M40B](#) [NPS-3-BL-T6](#) [1986615-1](#) [2-1589900-8](#) [2199314-1](#) [KA8102](#)