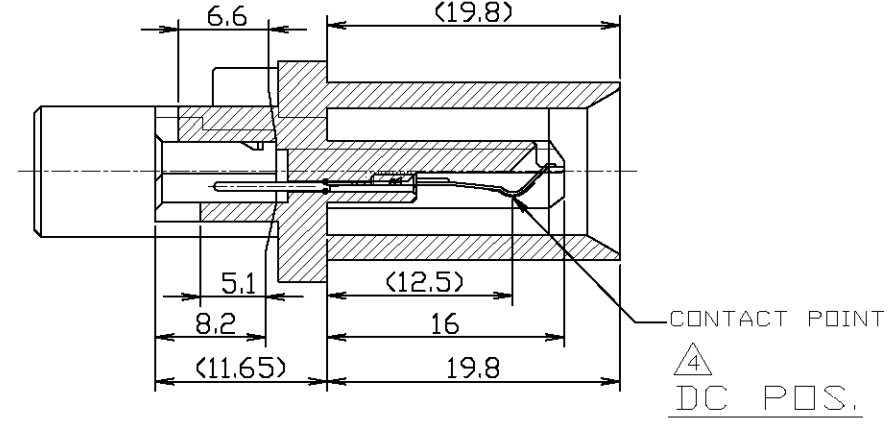
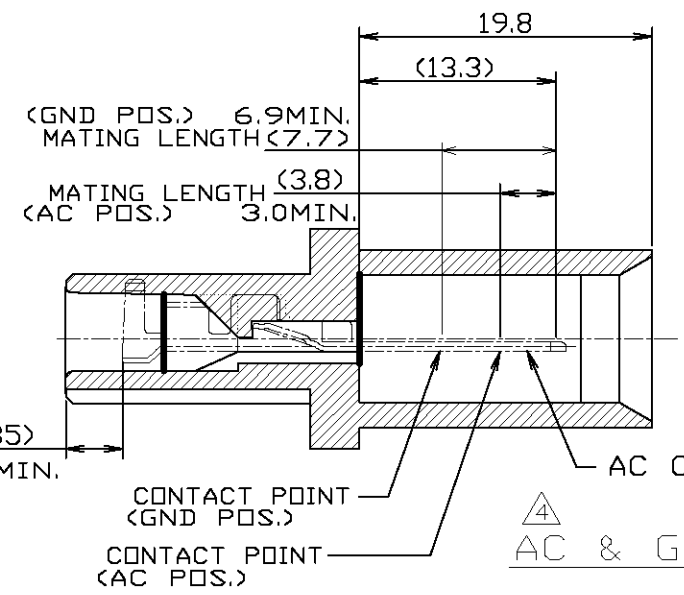
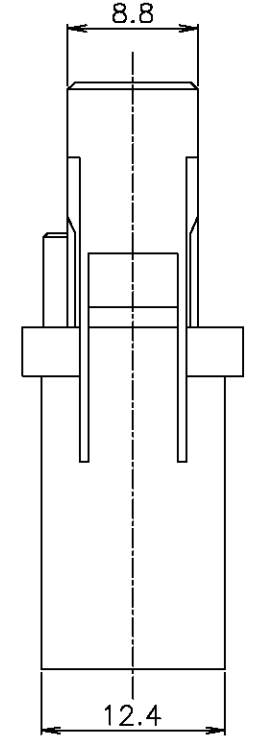
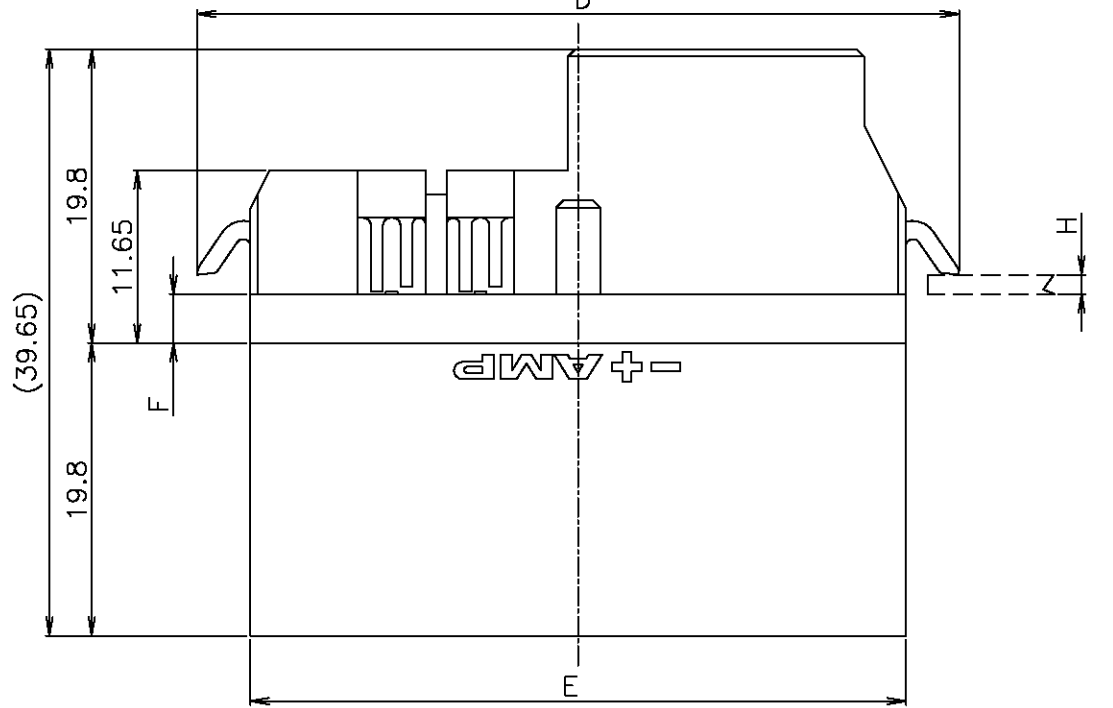
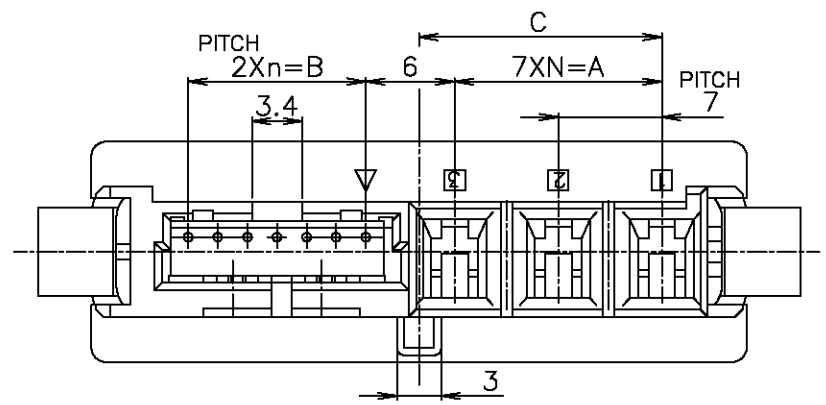


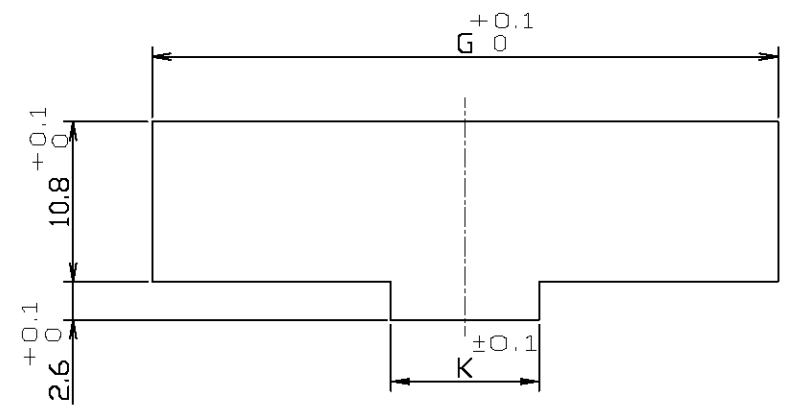
THIS DRAWING IS UNPUBLISHED. RELEASED FOR PUBLICATION  
 © COPYRIGHT 2001 BY TYCO ELECTRONICS CORPORATION. ALL RIGHTS RESERVED.

LOC		DIST		REVISIONS			
ES	00	P	LTR	DESCRIPTION	DATE	DWN	APVD
		A		REVISED FB00-0217-04	16DEC04	H.H	I.E



- NOTES
- MATERIAL  
HOUSING: THERMO PLASTIC (BLACK)  
CONTACT: COPPER ALLOY
  - CONTACT FINISH  
MATING SIDE: NICKEL PL.  
ALL OVER GOLD PL.  
CT MATING SIDE: NICKEL PL.  
ALL OVER MATTE TIN PL.
  - APPLIED AC CONTACT P/N
- | FINISH  | AWG    | P/N        |
|---------|--------|------------|
| TIN PL. | #16~20 | 1-179321-2 |
| Au PL.  | #16~20 | 179321-3   |
- AC: POWER CONTACT (UNLOADED)  
DC: SIGNAL CONTACT (PRELOADED)
  - CORE-OUT ARE AT RANDOM.

PANEL CUT DIMENSIONS



MT TYPE: 173977-7 CLIMPII TYPE: 178228-7	1-292192-3	1.2 ±0.08	10	15 MAX	46.3	3.3	44.3	51.5	16.4	12	14	6	2	DC7 AC3	2-292189-3
APPLIED CT CONN P/N	MATING COUNTER P/N	APPLIED PANEL THICKNESS H	K	J	G	F	E	D	C	B	A	n	N	POS	PART NO.

THIS DRAWING IS A CONTROLLED DOCUMENT.

DIMENSIONS: MM	TOLERANCES UNLESS OTHERWISE SPECIFIED:	DWN J.JIANG 05FEB03	<p>Tyco Electronics Corporation Shanghai, P.R.China, 200233</p>
	0-PLC ± ±0.3	CHK S.YAO 05FEB03	
	1-PLC ± ±3°	APVD T.SASAKI 05FEB03	
	2-PLC ± ±3°	PRODUCT SPEC	
MATERIAL	FINISH	WEIGHT	<p>NAME: 108-60023</p> <p>APPLICATION SPEC</p> <p>SIZE: A3 CAGE CODE: 00779 DRAWING NO: C-292189 RESTRICTED TO: -</p>

CUSTOMER DRAWING SCALE: 2:1 SHEET 1 OF 1 REV A

## X-ON Electronics

Largest Supplier of Electrical and Electronic Components

*Click to view similar products for [Heavy Duty Power Connectors](#) category:*

*Click to view products by [TE Connectivity](#) manufacturer:*

Other Similar products are found below :

[647757-1](#) [6643411-1](#) [6646058-2](#) [6646137-1](#) [6646138-1](#) [6646479-1](#) [6646608-1](#) [6646786-1](#) [6646940-1](#) [6651091-1](#) [6651525-1](#) [6651529-1](#)  
[6651788-1](#) [696475-1](#) [702-32-01109](#) [703-25-02205](#) [73000005059](#) [73000005642](#) [73080255059](#) [73080965046](#) [765-15-0080A](#) [765-16-0080B](#)  
[765-18-0080D](#) [829992-1](#) [902-77-02113](#) [PS00/A0620/6300](#) [PS25/A0420/63](#) [129-1J](#) [1409400](#) [AN0024023](#) [E6374G1](#) [e6389g2](#) [157-43GW8](#)  
[MS3117-14AC](#) [1643543-1](#) [1650540-1](#) [1651811-2](#) [1766260-1](#) [1766282-1](#) [1766966-1](#) [1791340000](#) [NLDFT-3-BL-L-S120-M40A](#) [NLDFT-N-](#)  
[W-L-C240-M40B](#) [NLS-2-R-C240-M40B](#) [NLS-N-W-C240-M40B](#) [NPS-3-BL-T6](#) [1986615-1](#) [2-1589900-8](#) [2199314-1](#) [KA8102](#)