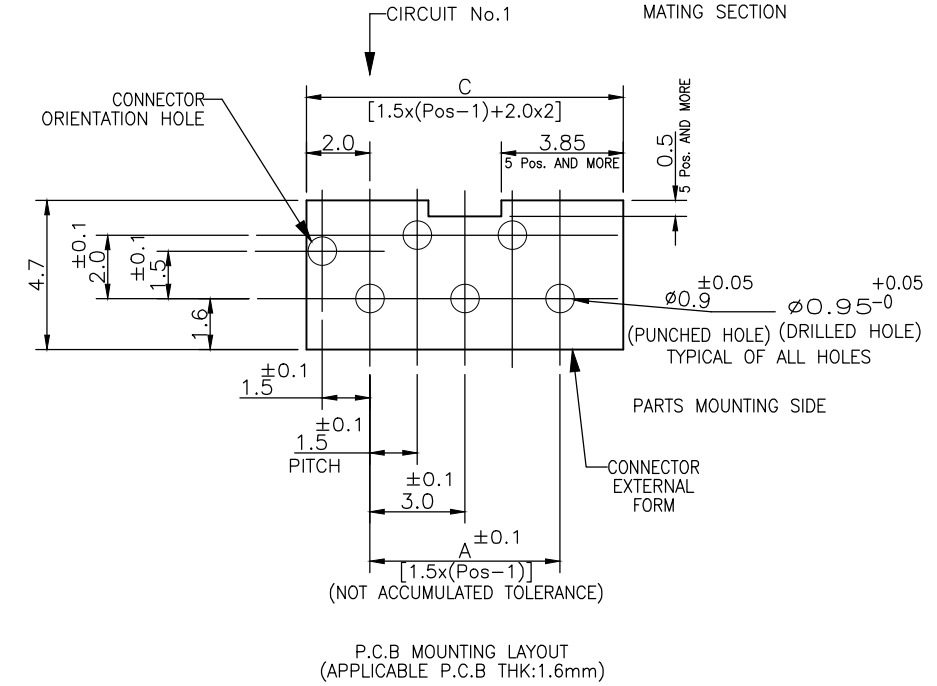
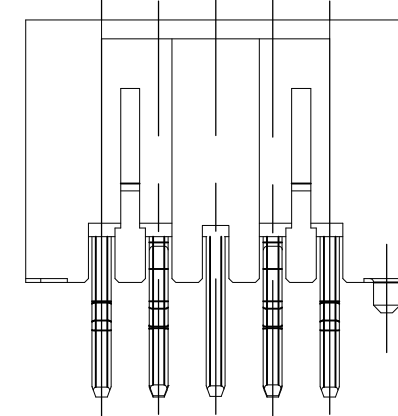
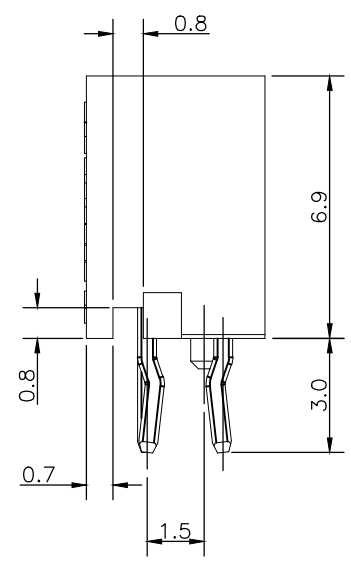
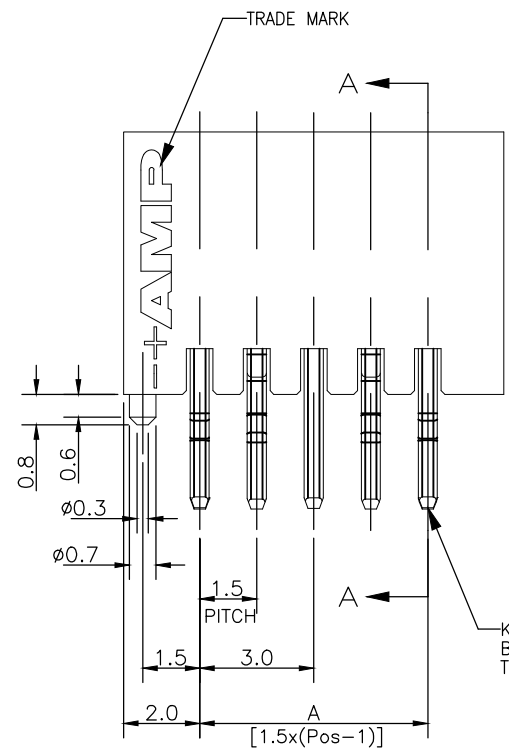
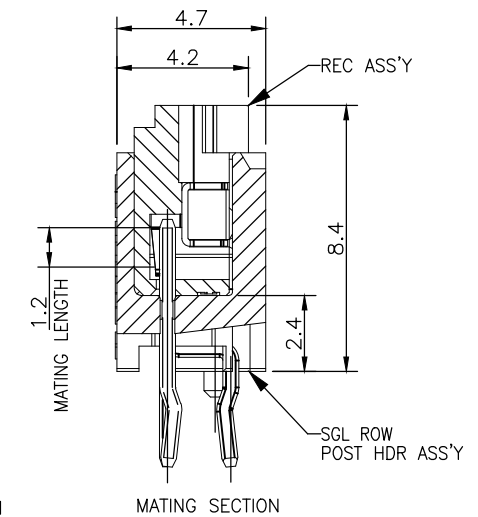
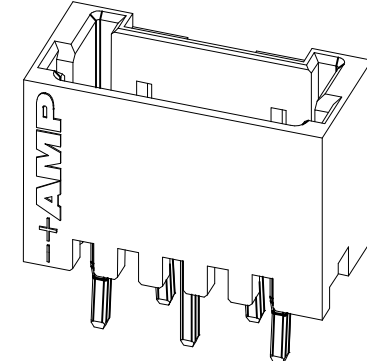
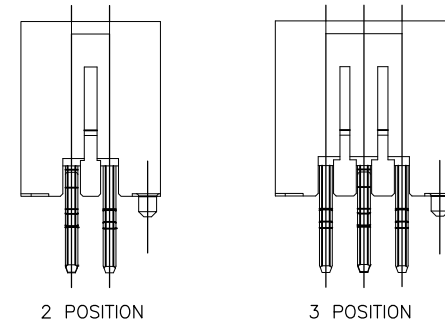
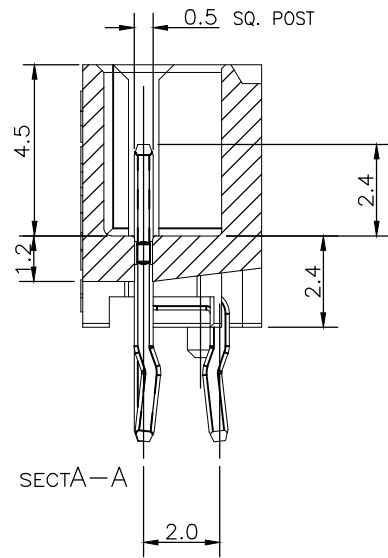
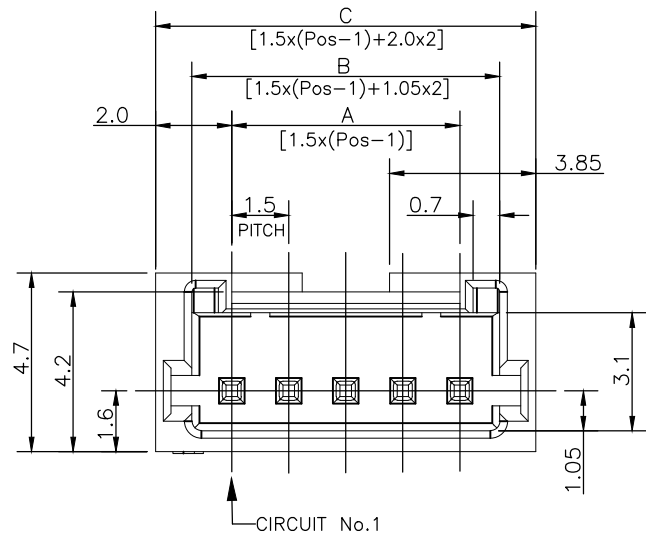


P	LTR	DESCRIPTION	DATE	DWN	APVD
B	ECR-18-017107		07NOV18	T.Q	W.H



NOTES:  
 1. MATERIAL:  
 HOUSING: NYLON(G.F.) UL94V-0, COLOR: GRAY, BLUE, BLACK  
 POST: PRE-TIN 0.5mm SQ. BRASS WIRE


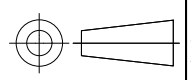
TOLERANCES UNLESS OTHERWISE SPECIFIED:  
 10 > \* : ±0.2  
 30 > \* > 10 : ±0.25  
 100 > \* > 30 : ±0.3  
 ANGLE : ±3°

THIS DRAWING IS A CONTROLLED DOCUMENT.		DWN S.YAO	31JAN03	TE Connectivity	
		CHK S.YAO	31JAN03		
		APVD T. SASAKI	31JAN03	NAME	
		PRODUCT SPEC		AMP Mini CT Connector 1.5mm Pitch	
		APPLICATION SPEC		Single Row Post HDR Ass'y (V)	
		WEIGHT		DIP Staggered Type with Boss with Kink	
		CUSTOMER DRAWING		SIZE	RESTRICTED TO
		MATERIAL		CAGE CODE	DRAWING NO
		FINISH		A3	00779
		SEE NOTE 1		C-292207	
		SEE NOTE 1		SCALE	SHEET
				-	1 of 2
				REV	
				B	

THIS DRAWING IS UNPUBLISHED. RELEASED FOR PUBLICATION  
 © COPYRIGHT - By - ALL RIGHTS RESERVED.

REVISIONS					
P	LTR	DESCRIPTION	DATE	DWN	APVD
-	-	SEE SHEET 1	-	-	-

0.96	32.5	30.6	28.5	20	7-292207-0	4-292207-0	2-292207-0
0.91	31.0	29.1	27.0	19	6-292207-9	3-292207-9	1-292207-9
0.87	29.5	27.6	25.5	18	6-292207-8	3-292207-8	1-292207-8
0.82	28.0	26.1	24.0	17	6-292207-7	3-292207-7	1-292207-7
0.78	26.5	24.6	22.5	16	6-292207-6	3-292207-6	1-292207-6
0.73	25.0	23.1	21.0	15	6-292207-5	3-292207-5	1-292207-5
0.69	23.5	21.6	19.5	14	6-292207-4	3-292207-4	1-292207-4
0.64	22.0	20.1	18.0	13	6-292207-3	3-292207-3	1-292207-3
0.60	20.5	18.6	16.5	12	6-292207-2	3-292207-2	1-292207-2
0.55	19.0	17.1	15.0	11	6-292207-1	3-292207-1	1-292207-1
0.51	17.5	15.6	13.5	10	6-292207-0	3-292207-0	1-292207-0
0.46	16.0	14.1	12.0	9	5-292207-9	2-292207-9	292207-9
0.42	14.5	12.6	10.5	8	5-292207-8	2-292207-8	292207-8
0.37	13.0	11.1	9.0	7	5-292207-7	2-292207-7	292207-7
0.33	11.5	9.6	7.5	6	5-292207-6	2-292207-6	292207-6
0.28	10.0	8.1	6.0	5	5-292207-5	2-292207-5	292207-5
0.24	8.5	6.6	4.5	4	5-292207-4	2-292207-4	292207-4
0.19	7.0	5.1	3.0	3	5-292207-3	2-292207-3	292207-3
0.16	5.5	3.6	1.5	2	5-292207-2	2-292207-2	292207-2
WEIGHT (g)	C	B	A	Pos.	BLUE	BLACK	GRAY
	DIMENSIONS				P/N		

THIS DRAWING IS A CONTROLLED DOCUMENT.		DWN S.YAO 31JAN03	 <b>TE Connectivity</b> AMP Mini CT Connector 1.5mm Pitch Single Row Post HDR Ass'y (V) DIP Staggered Type with Boss with Kink					
DIMENSIONS: mm		CHK S.YAO 31JAN03				NAME	SIZE	CAGE CODE
		APVD T. SASAKI 31JAN03				PRODUCT SPEC	DRAWING NO	RESTRICTED TO
TOLERANCES UNLESS OTHERWISE SPECIFIED:		PRODUCT SPEC				108 - 60018	SCALE	SHEET
MATERIAL SEE NOTE 1		FINISH SEE NOTE 1	APPLICATION SPEC	114 - 5223	2 OF 2			
			WEIGHT	0.000000	REV B			
			CUSTOMER DRAWING					

## X-ON Electronics

Largest Supplier of Electrical and Electronic Components

*Click to view similar products for [Headers & Wire Housings](#) category:*

*Click to view products by [TE Connectivity](#) manufacturer:*

Other Similar products are found below :

[892-18-020-10-001101](#) [58102-G61-06LF](#) [582553-1](#) [0009485154](#) [009176003701906](#) [0050291907](#) [LY20-4P-DT1-P1E-BR](#) [02.125.8002.8](#)  
[609-3404](#) [61062-3](#) [61082-181009](#) [622-3653LF](#) [63453-116](#) [636-1030](#) [636-1427](#) [636-3427](#) [636-4007](#) [641938-9](#) [641991-4](#) [644827-2](#) [65817-](#)  
[010LF](#) [65817-015LF](#) [65863-015LF](#) [66207-023LF](#) [67095-007LF](#) [67601157](#) [68645-018](#) [68648-049](#) [70.362.1628.0](#) [70-4210](#) [70-4226B](#) [70-](#)  
[4853B](#) [707-5020](#) [707-5028](#) [71.350.2428.0](#) [71918-208LF](#) [71961-016LF](#) [733-134](#) [733-162](#) [754199-000](#) [760-3052](#) [787-8014-00](#) [79531-3000](#)  
[FCN-360C032-B](#) [FCN-367T-T012/H](#) [FCN-723D010/2](#) [80.063.4001.1](#) [800-90-001-10-001000](#) [800-90-010-10-002000](#) [801-43-002-10-013000](#)