

THIS DRAWING IS UNPUBLISHED.

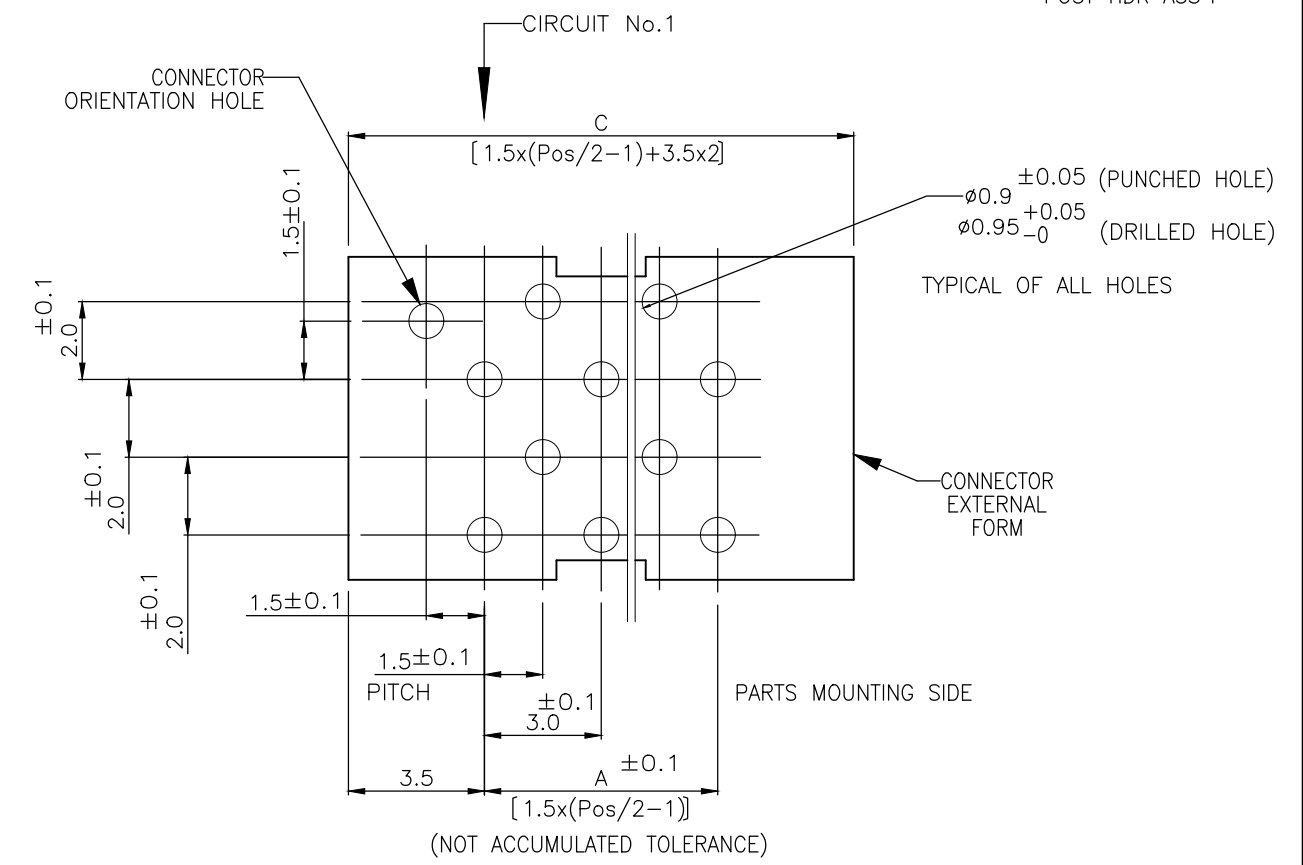
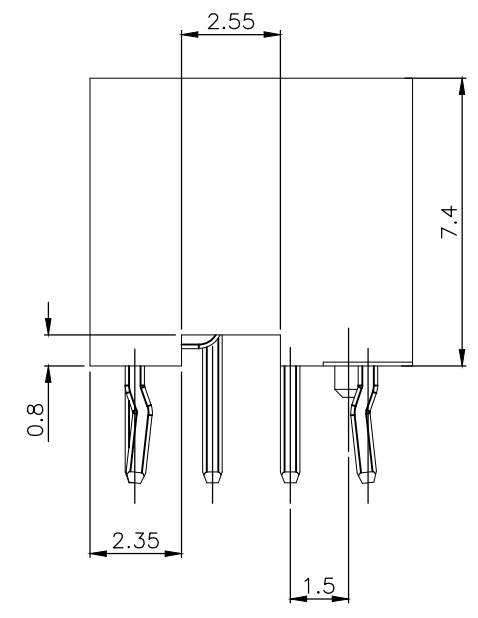
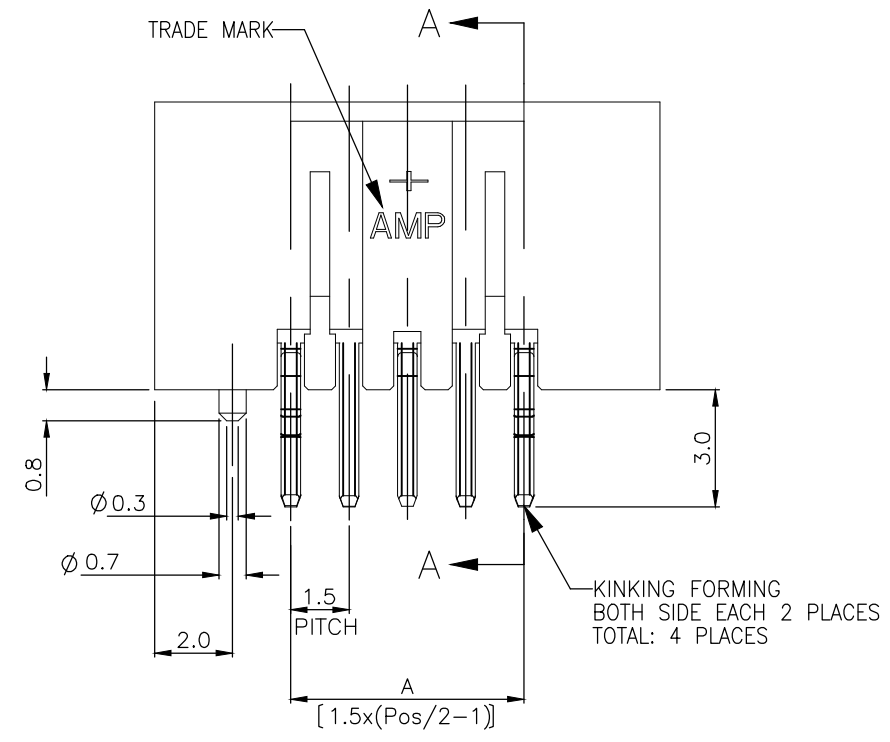
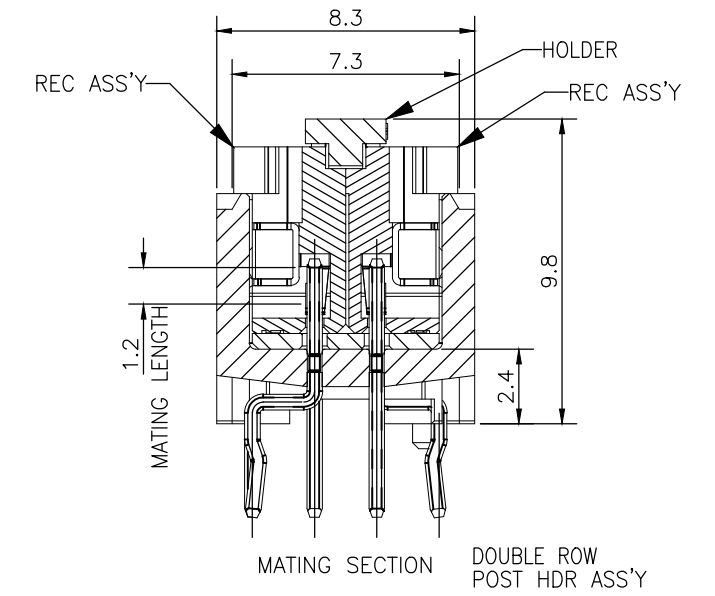
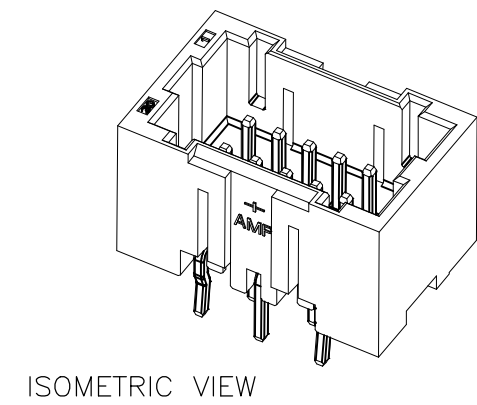
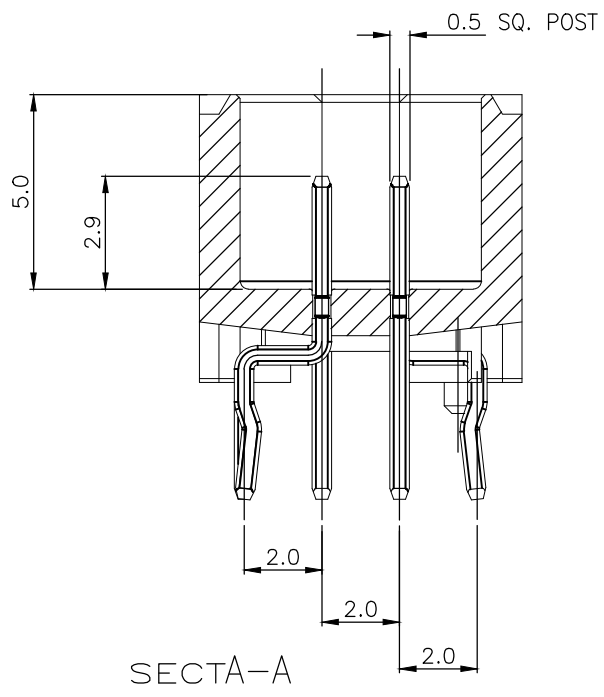
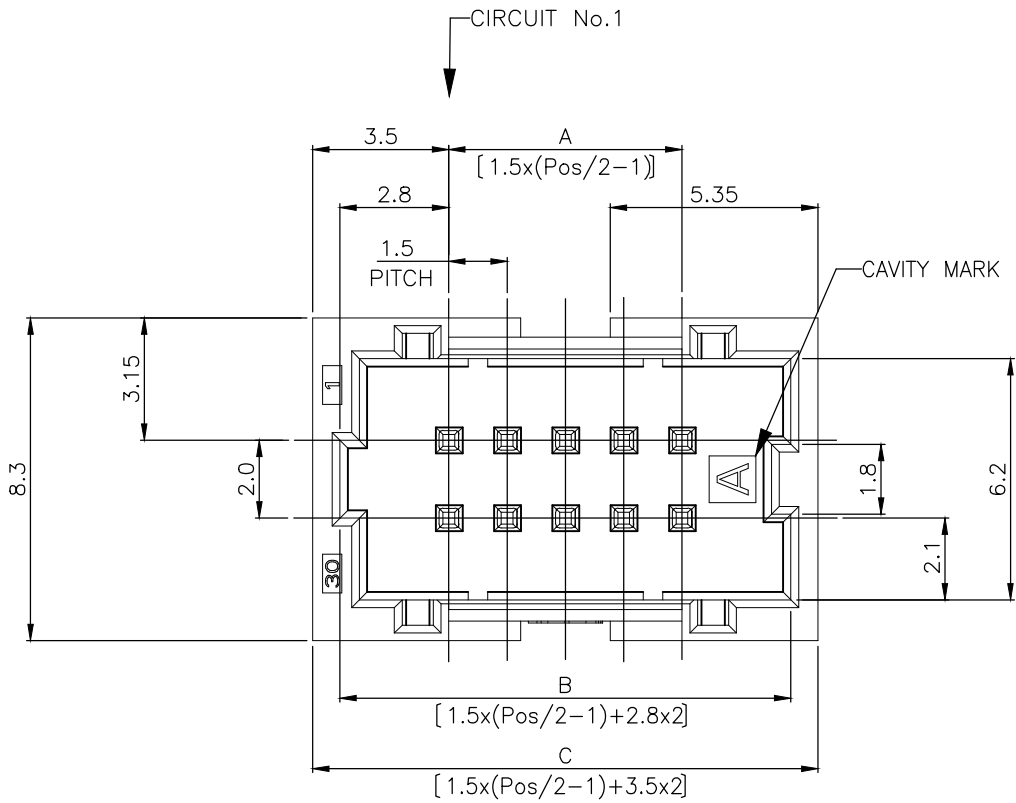
RELEASED FOR PUBLICATION - 04FEB03

© COPYRIGHT - By -

ALL RIGHTS RESERVED.

REVISIONS

P	LTR	DESCRIPTION	DATE	DWN	APVD
R	ECR-18-017107		07NOV18	T.Q	W.H



P.C.B MOUNTING LAYOUT (APPLICABLE P.C.B THK:1.6mm)

TOLERANCES UNLESS OTHERWISE SPECIFIED:

10 ≥ *	: ±0.2
30 ≥ * > 10	: ±0.25
100 ≥ * > 30	: ±0.3
ANGLE	: ±3°

NOTES:

1. MATERIAL:
HOUSING: NYLON(G.F.) UL94V-0, COLOR: GRAY,BLUE,BLACK
POST: PRE-TIN 0.5mm SQ. BRASS WIRE

THIS DRAWING IS A CONTROLLED DOCUMENT.

DIMENSIONS: mm	TOLERANCES UNLESS OTHERWISE SPECIFIED:
	0 PLC ± -
	1 PLC ± -
	2 PLC ± -
	3 PLC ± -
	4 PLC ± -
	ANGLES ± -
MATERIAL SEE NOTE 1	FINISH SEE NOTE 1

DWN	S.YAO	31JAN03
CHK	S.YAO	31JAN03
APVD	T. SASAKI	31JAN03
PRODUCT SPEC	108 - 60018	
APPLICATION SPEC	114 - 5223	
WEIGHT	SEE TABLE	
CUSTOMER DRAWING		

STE TE Connectivity

Mini CT Conn
Double Row HDR Assy V
DIP Type with Boss Kink

NAME	SIZE	CAGE CODE	DRAWING NO	RESTRICTED TO
	A3	00779	C-292208	-
SCALE	SHEET	REV		
-	1 of 2	R		

THIS DRAWING IS UNPUBLISHED. RELEASED FOR PUBLICATION - ,04FEB03
 © COPYRIGHT - By - ALL RIGHTS RESERVED.

REVISIONS					
P	LTR	DESCRIPTION	DATE	DWN	APVD
	-	SEE SHEET 1	-	-	-

1.67	35.5	34.1	28.5	40	9-292208-0	6-292208-0	4-292208-0
1.60	34.0	32.6	27.0	38	8-292208-8	5-292208-8	3-292208-8
1.53	32.5	31.1	25.5	36	8-292208-6	5-292208-6	3-292208-6
1.46	31.0	29.6	24.0	34	8-292208-4	5-292208-4	3-292208-4
1.38	29.5	28.1	22.5	32	8-292208-2	5-292208-2	3-292208-2
1.31	28.0	26.6	21.0	30	8-292208-0	5-292208-0	3-292208-0
1.24	26.5	25.1	19.5	28	7-292208-8	4-292208-8	2-292208-8
1.17	25.0	23.6	18.0	26	7-292208-6	4-292208-6	2-292208-6
1.10	23.5	22.1	16.5	24	7-292208-4	4-292208-4	2-292208-4
1.03	22.0	20.6	15.0	22	7-292208-2	4-292208-2	2-292208-2
WEIGHT (g)	C	B	A	Pos.	BLUE	BLACK	GRAY
	DIMENSIONS				PART NO		

THIS DRAWING IS A CONTROLLED DOCUMENT.		DWN S.YAO 31JAN03	STE TE Connectivity		
DIMENSIONS: mm		CHK S.YAO 31JAN03			
TOLERANCES UNLESS OTHERWISE SPECIFIED:		APVD T. SASAKI 31JAN03	NAME Mini CT Conn Double Row HDR Assy V DIP Type with Boss Kink		
0 PLC ± - 1 PLC ± - 2 PLC ± - 3 PLC ± - 4 PLC ± - ANGLES ± -		PRODUCT SPEC 108 - 60018	RESTRICTED TO		
MATERIAL SEE NOTE 1		APPLICATION SPEC 114 - 5223	SIZE A3	CAGE CODE 00779	DRAWING NO C-292208
FINISH SEE NOTE 1		WEIGHT 0.000000	SCALE - SHEET 2 OF 2 REV R		
		CUSTOMER DRAWING			

X-ON Electronics

Largest Supplier of Electrical and Electronic Components

Click to view similar products for [Headers & Wire Housings](#) category:

Click to view products by [TE Connectivity](#) manufacturer:

Other Similar products are found below :

[892-18-020-10-001101](#) [58102-G61-06LF](#) [582553-1](#) [0009485154](#) [009176003701906](#) [0050291907](#) [LY20-4P-DT1-P1E-BR](#) [02.125.8002.8](#)
[609-3404](#) [61062-3](#) [61082-181009](#) [622-3653LF](#) [63453-116](#) [636-1030](#) [636-1427](#) [636-3427](#) [636-4007](#) [641938-9](#) [641991-4](#) [644827-2](#) [65817-](#)
[010LF](#) [65817-015LF](#) [65863-015LF](#) [66207-023LF](#) [67095-007LF](#) [67601157](#) [68645-018](#) [68648-049](#) [70.362.1628.0](#) [70-4210](#) [70-4226B](#) [70-](#)
[4853B](#) [707-5020](#) [707-5028](#) [71.350.2428.0](#) [71918-208LF](#) [71961-016LF](#) [733-134](#) [733-162](#) [754199-000](#) [760-3052](#) [787-8014-00](#) [79531-3000](#)
[FCN-360C032-B](#) [FCN-367T-T012/H](#) [FCN-723D010/2](#) [80.063.4001.1](#) [800-90-001-10-001000](#) [800-90-010-10-002000](#) [801-43-002-10-013000](#)