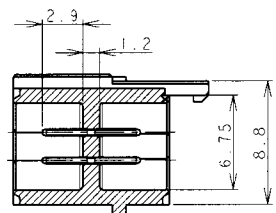
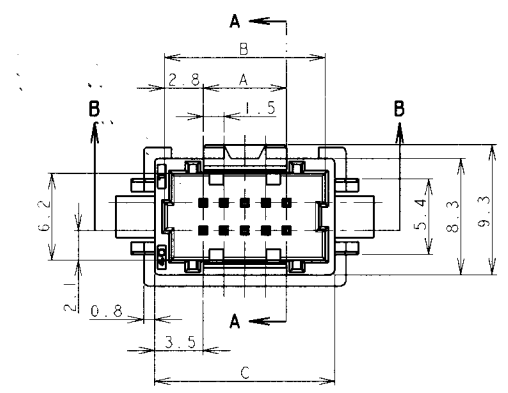
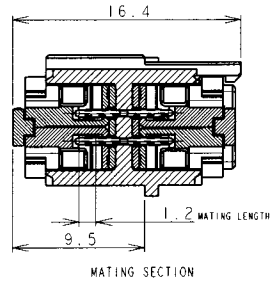


THIS DRAWING IS UNPUBLISHED  
 RELEASED FOR PUBLICATION  
 BY TYCO ELECTRONICS CORPORATION, ALL RIGHTS RESERVED

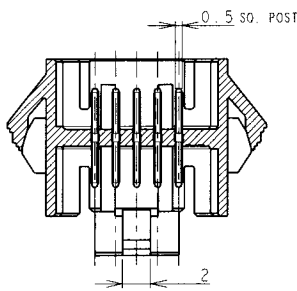
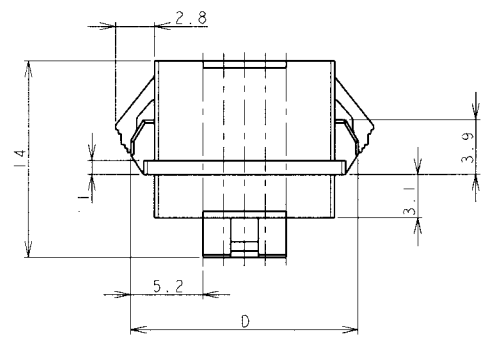
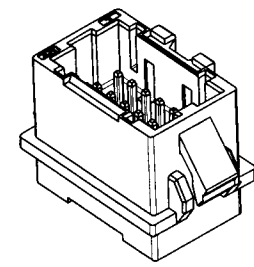
LOC	01ST	REVISIONS					
FB	00	P	LTR	DESCRIPTION	DATE	DWN	APWD
		O		RELEASED	FB00-0015-03	04FEB03	J. J. T. S.



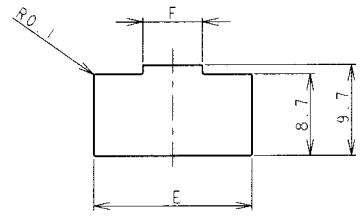
SECT A-A



MATING SECTION

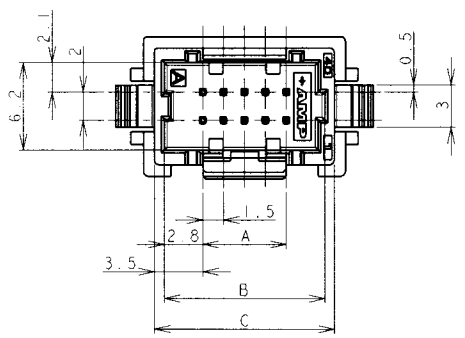


SECT B-B



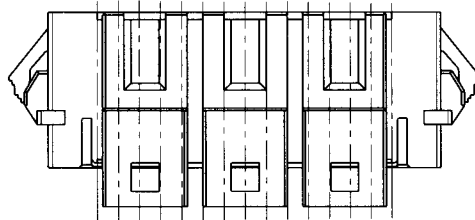
PANEL CUTOUT DIMENSION (TOLERANCE  $\pm 0.1$ mm)  
 (RECOMMENDED PANEL THICKNESS: 0.8mm-1.6mm)

- NOTES
- MATERIAL  
 HOUSING: 66NYLON(94V-0) COLOR: WHITE, BLUE  
 POST: TIN BRASS WIRE
  - THE PANEL SHOULD BE PUNCHED SO THAT THE HOUSING ENTERS THE PANEL IN THE SAME DIRECTION AS PUNCH.



<small>THIS DRAWING IS A CONTROLLED DOCUMENT FOR TYCO ELECTRONICS CORPORATION          IT IS SUBJECT TO CHANGE AND THE CONTROLLING ENGINEERING ORGANIZATION          SHOULD BE CONTACTED FOR THE LATEST REVISION</small>		DWN <b>J. JIANG</b> 04FEB03 CHK <b>S. YAO</b> 04FEB03 APVD <b>T. SASAKI</b> 04FEB03	<b>tyco</b> Electronics Tyco Electronics Corporation Shanghai, P.R.China, 200233
DIMENSIONS mm	TOLERANCES UNLESS OTHERWISE SPECIFIED: 10 $\pm$ 0.2 30 $\pm$ 0.25 100 $\pm$ 0.3 ANGLE $\pm$ 3°	NAME AMP MINI COMMON TERMINATED (CT) CONNECTOR 1.5 mm PITCH DOUBLE ROW POST HEADER ASS'Y PANEL MOUNT TYPE	
		PRODUCT SPEC 108-60018 APPLICATION SPEC 114-5223	SIZE A3
MATERIAL SEE NOTE 1	FINISH SEE NOTE 1	WEIGHT CUSTOMER DRAWING	CAGE CODE 00779 DRAWING NO. 292216 RESTRICTED TO SHEET 1 OF 2 REV 0

22-28 Pos.



30-40 Pos.

RELEASED FOR PUBLICATION

THIS DRAWING IS UNPUBLISHED

BY TYCO ELECTRONICS CORPORATION ALL RIGHTS RESERVED

© COPYRIGHT

2.37	20.6	39.5	38.9	35.5	34.1	28.5	40	9-292216-0	4-292216-0
2.30	20.6	38.0	37.4	34.0	32.6	27.0	38	8-292216-8	3-292216-8
2.21	20.6	36.5	35.9	32.5	31.1	25.5	36	8-292216-6	3-292216-6
2.13	20.6	35.0	34.4	31.0	29.6	24.0	34	8-292216-4	3-292216-4
2.05	20.6	33.5	32.9	29.5	28.1	22.5	32	8-292216-2	3-292216-2
1.97	20.6	32.0	31.4	28.0	26.6	21.0	30	8-292216-0	3-292216-0
1.82	13.5	30.5	29.9	26.5	25.1	19.5	28	7-292216-8	2-292216-8
1.74	13.5	29.0	28.4	25.0	23.6	18.0	26	7-292216-6	2-292216-6
1.63	13.5	27.5	26.9	23.5	22.1	16.5	24	7-292216-4	2-292216-4
1.55	13.5	26.0	25.4	22.0	20.6	15.0	22	7-292216-2	2-292216-2
WEIGHT (g)	F	E	D	C	B	A	Pos	BLUE	WHITE
DIMENSIONS								P/N	

DIMENSIONS: mm	DWN	MATERIAL	SEE SHEET 1	FINISH	SEE SHEET 1
	CHK	 Tyco Electronics Corporation Shanghai, P.R.China, 200233			
TOLERANCES UNLESS OTHERWISE SPECIFIED:  10 > : ±0.2 30 > 10 : ±0.25 100 > 30 : ±0.3 ANGLE : ±3°	APVD				
	PRODUCT SPEC	NAME			
	APPLICATION SPEC	AMP MINI COMMON TERMINATED (CT) CONNECTOR 1.5 mm PITCH DOUBLE ROW POST HDR ASS'Y PANEL MOUNT TYPE			
WEIGHT	SIZE	CAGE CODE	DRAWING NO	RESTRICTED TO	
CUSTOMER DRAWING	A4	00779	C-292216		
SCALE		NON		SHEET	2 OF 2
				REV	0

## X-ON Electronics

Largest Supplier of Electrical and Electronic Components

*Click to view similar products for [Headers & Wire Housings](#) category:*

*Click to view products by [TE Connectivity](#) manufacturer:*

Other Similar products are found below :

[95000-104TRLF](#) [10135584-644402LF](#) [DF62W-EP2022PCA](#) [95000-106TRLF](#) [DF62W-2022SCA](#) [DF62W-EP2022PC](#) [2203348](#) [DF62W-2022SC](#) [1084018](#) [1029039](#) [1084017](#) [802-10-012-10-002000](#) [1112640](#) [1112639](#) [000-34000](#) [0009482033](#) [0009507031](#) [57102-S06-03LF](#) [57202-S52-04LF](#) [PCN6-15S-2.5E](#) [0039019024](#) [58102-G61-06LF](#) [582553-1](#) [0009508121](#) [0050291907](#) [018731A](#) [LY20-4P-DT1-P1E-BR](#) [02.125.8002.8](#) [60101931](#) [60598-1 \(Cut Strip\)](#) [M1625-3R/100](#) [61062-3](#) [61082-181009](#) [636-1427](#) [638009-1](#) [641938-9](#) [641991-4](#) [644168-1](#) [647662-1](#) [65039-019ELF](#) [65817-002LF](#) [65817-015LF](#) [65863-015LF](#) [66207-023LF](#) [67016-026LF](#) [67046-001LF](#) [67095-007LF](#) [68002-116](#) [68016-236H](#) [68648-049](#)