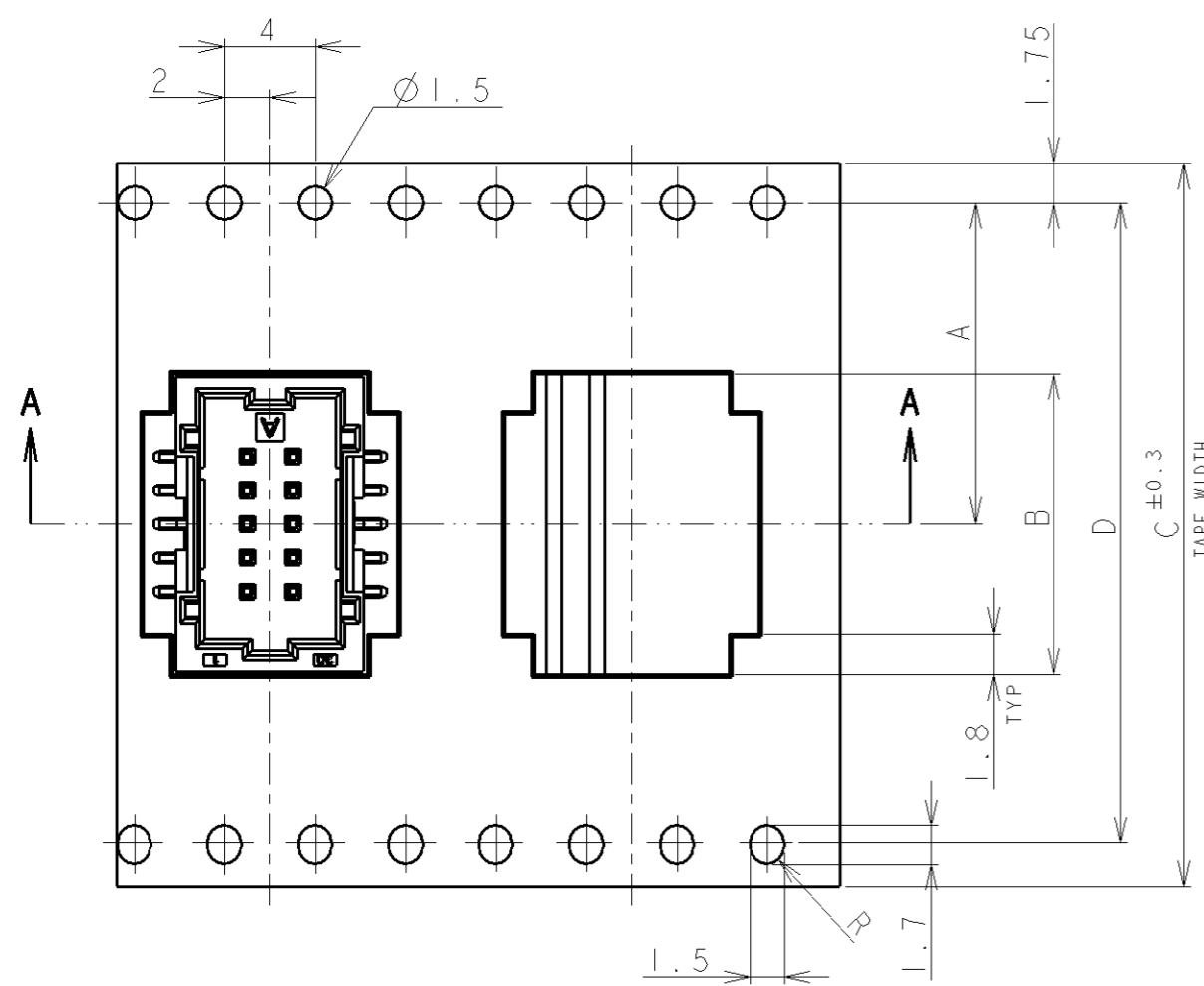
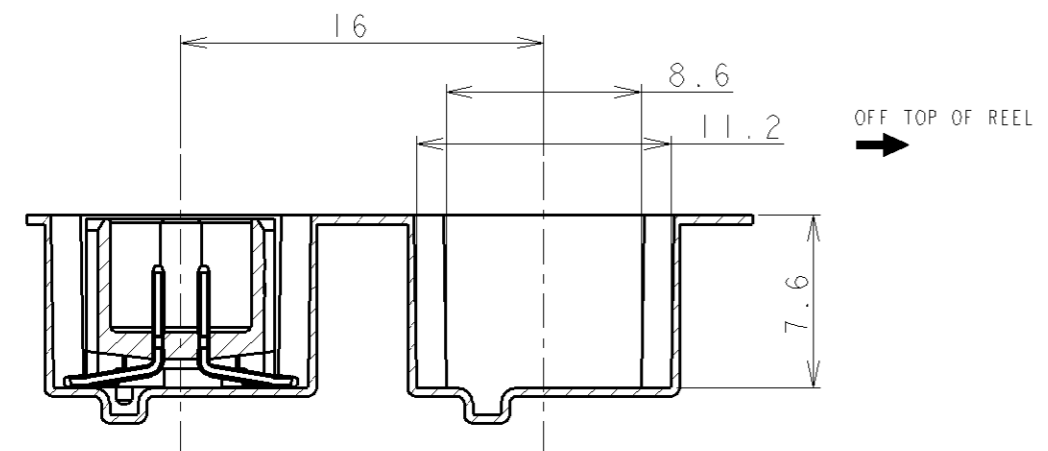
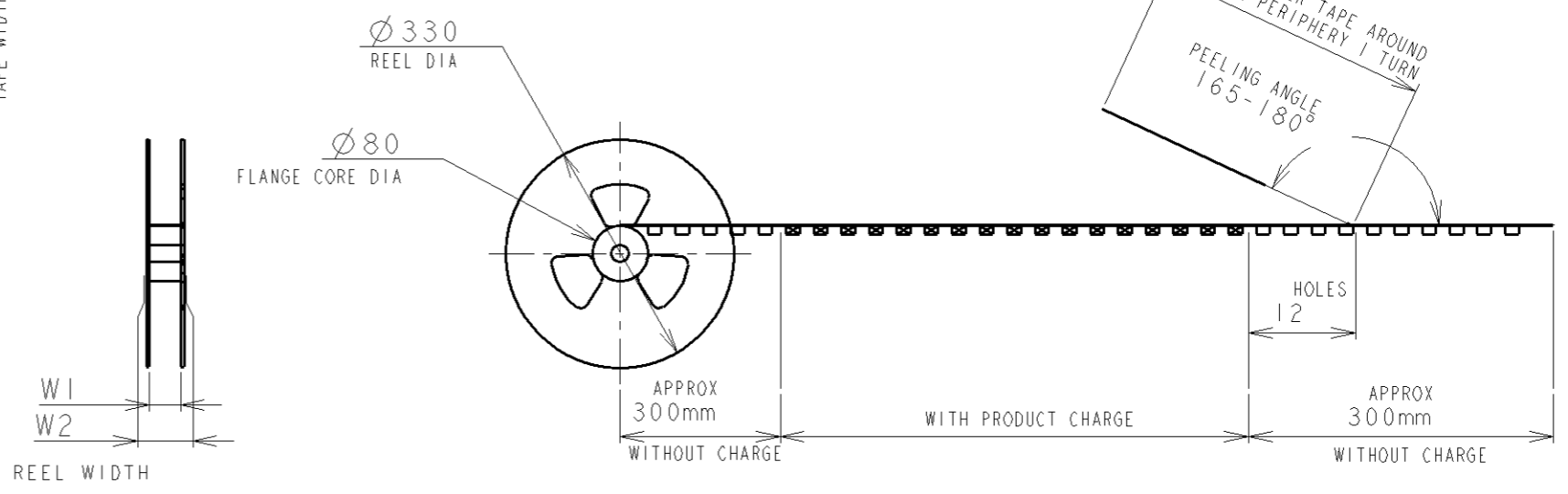
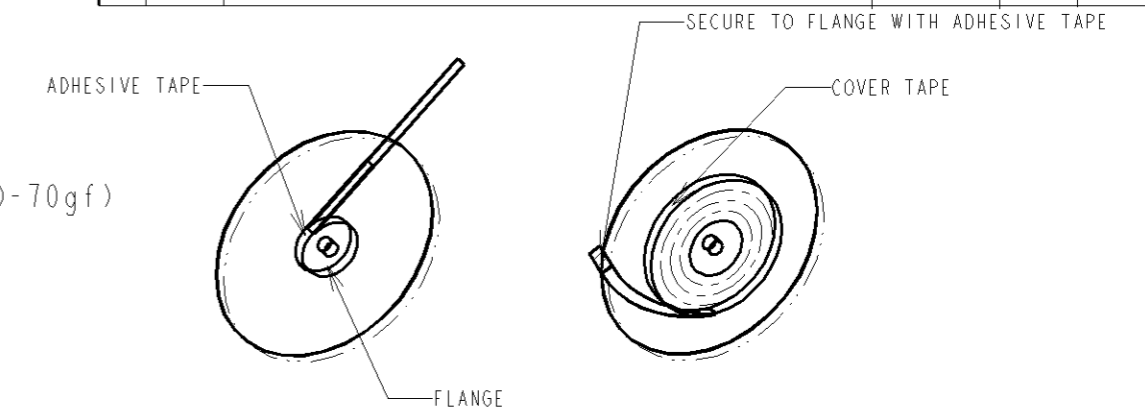


LOC	DIST	REVISIONS			
P	LTR	DESCRIPTION	DATE	DWN	APVD
ES	00	BI REVISED	ECR-09-024244	06NOV09	C.Z S.Y



NOTE:  
 1. PEELING STRENGTH: 0.20-0.69N(20-70gf)  
 PEELING ANGLE: 165-180°  
 PEELING SPEED: 300mm/MINUTE.



TOLERANCES UNLESS OTHERWISE SPECIFIED:

10 >	: ±0.2
30 > * > 10	: ±0.25
100 > * > 30	: ±0.3
ANGLE	: ±3°


THIS DRAWING IS A CONTROLLED DOCUMENT FOR AMP INCORPORATED. IT IS SUBJECT TO CHANGE AND THE CONTROLLING ENGINEERING ORGANIZATION SHOULD BE CONTACTED FOR THE LATEST REVISION.		DWN S. XU 31JAN03	WTR RANGE		INSULATION DIA	
DIMENSIONS: mm		CHK S. YAO 31JAN03	Tyco Electronics Corporation SHANGHAI, CHINA			
TOLERANCES UNLESS OTHERWISE SPECIFIED:		APVD T. SASAKI 31JAN03				
0 PLC ±- 1 PLC ±0.1 2 PLC ±0.15 3 PLC ±0.001 4 PLC ±0.0001 ANGLES ±-		PRODUCT SPEC 108-60018	NAME AMP Mini Common Terminated (CT) Connector 1.5mm PITCH DOUBLE ROW POST HDR ASS'Y (V) SMT TYPE WITH BOSS, EMBOSS TAPE PACKAGED			
MATERIAL		APPLICATION SPEC 114-5223	SIZE A3	CAGE CODE 00779	DRAWING NO C-292229	RESTRICTED TO
FTNISH		WGT	CUSTOMER DRAWING		SCALE NON	SHEET 1 of 4 REV BI

LOC	DIST	REVISIONS					
FB	00	P	LTR	DESCRIPTION	DATE	DWN	APVD

37.5	33.5	52.4	56	35.8	26.2	400	40	BLACK	9-292229-0
37.5	33.5	40.4	44	34.3	20.2	400	38		8-292229-8
37.5	33.5	40.4	44	32.8	20.2	400	36		8-292229-6
29.5	25.5	40.4	44	31.3	20.2	400	34		8-292229-4
29.5	25.5	40.4	44	29.8	20.2	400	32		8-292229-2
29.5	25.5	40.4	44	28.3	20.2	400	30		8-292229-0
29.5	25.5	40.4	44	26.8	20.2	400	28		7-292229-8
21.5	17.5	40.4	44	25.3	20.2	400	26		7-292229-6
21.5	17.5	40.4	44	23.8	20.2	400	24		7-292229-4
21.5	17.5	28.4	32	22.2	14.2	400	22		7-292229-2
W2	W1	D	C	B	A	QTY/ REEL	POS	COLOR	ON TAPE P/N
DIMENSIONS									

37.5	33.5	52.4	56	35.8	26.2	400	40	BEIGE	4-292229-0
37.5	33.5	40.4	44	34.3	20.2	400	38		3-292229-8
37.5	33.5	40.4	44	32.8	20.2	400	36		3-292229-6
29.5	25.5	40.4	44	31.3	20.2	400	34		3-292229-4
29.5	25.5	40.4	44	29.8	20.2	400	32		3-292229-2
29.5	25.5	40.4	44	28.3	20.2	400	30		3-292229-0
29.5	25.5	40.4	44	26.8	20.2	400	28		2-292229-8
21.5	17.5	40.4	44	25.3	20.2	400	26		2-292229-6
21.5	17.5	40.4	44	23.8	20.2	400	24		2-292229-4
21.5	17.5	28.4	32	22.2	14.2	400	22		2-292229-2
W2	W1	D	C	B	A	QTY/ REEL	POS	COLOR	ON TAPE P/N
DIMENSIONS									

WIRE RANGE	INSULATION DIA
------------	----------------

DIMENSIONS: mm	DWN	MATERIAL	FINISH
TOLERANCES UNLESS OTHERWISE SPECIFIED: 0 PLC ±- 1 PLC ±0.1 2 PLC ±0.15 3 PLC ±0.001 4 PLC ±0.0001 ANGLES ±-	CHK	 Tyco Electronics Corporation SHANGHAI, CHINA	
PRODUCT SPEC SEE SHEET 1 OF 4	APVD	NAME AMP Mini Common Terminated (CT) Connector 1.5mm PITCH DOUBLE ROW POST HDR ASS'Y (V) SMT TYPE WITH BOSS, EMBOSS TAPE PACKAGED	
APPLICATION SPEC SEE SHEET 1 OF 4	WEIGHT	SIZE	RESTRICTED TO
		A4 00779	C=292229
CUSTOMER DRAWING	SCALE	SHEET	REV
	NON	2 OF 4	B1

THIS DRAWING IS UNPUBLISHED.  
 BY TYCO ELECTRONICS CORPORATION. ALL RIGHTS RESERVED.  
 © COPYRIGHT

RELEASED FOR PUBLICATION

4

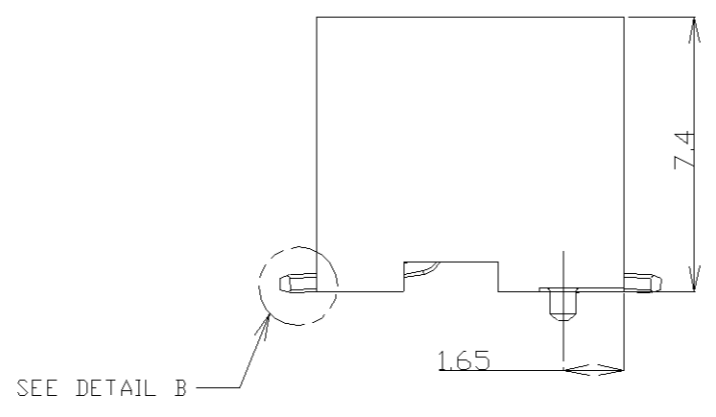
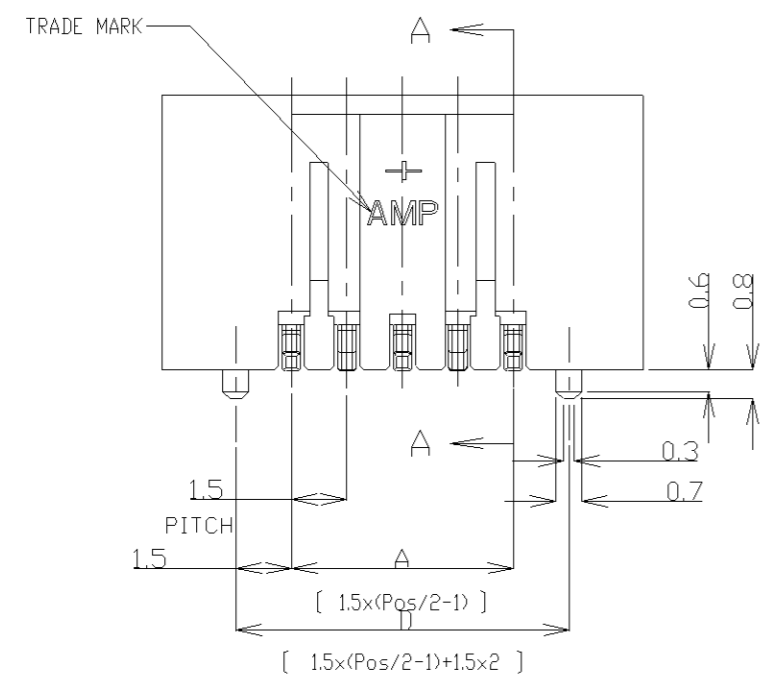
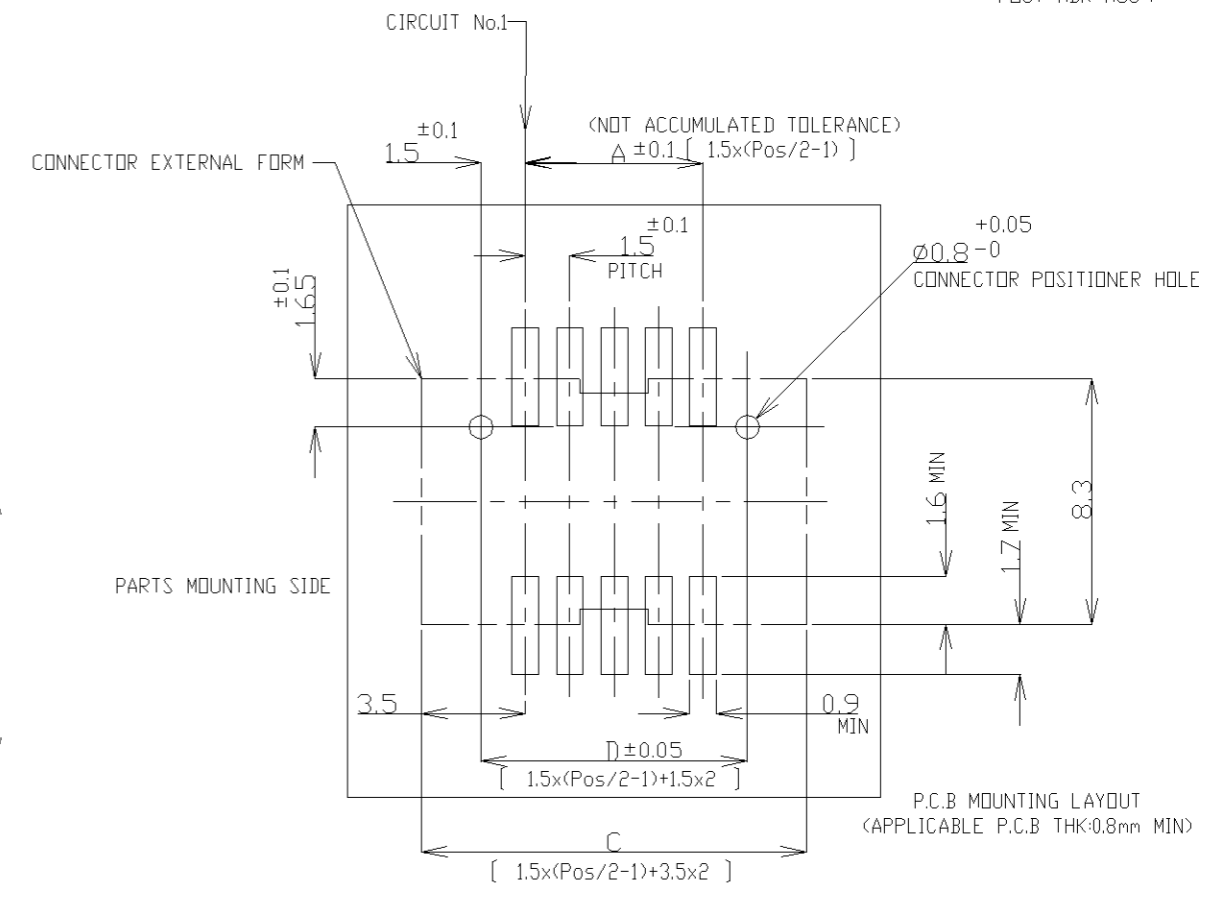
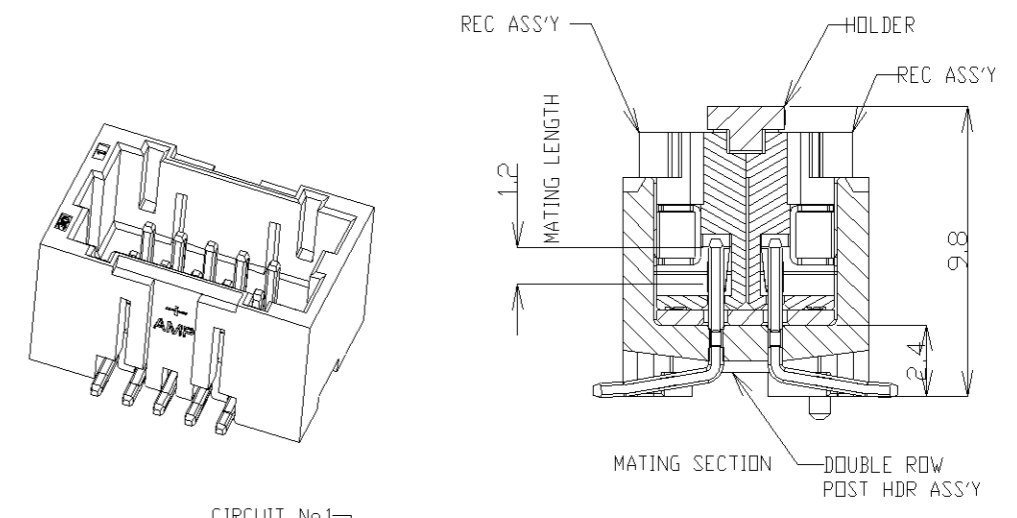
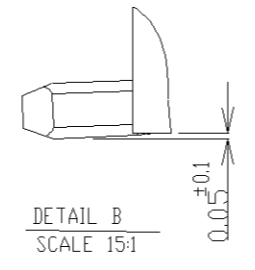
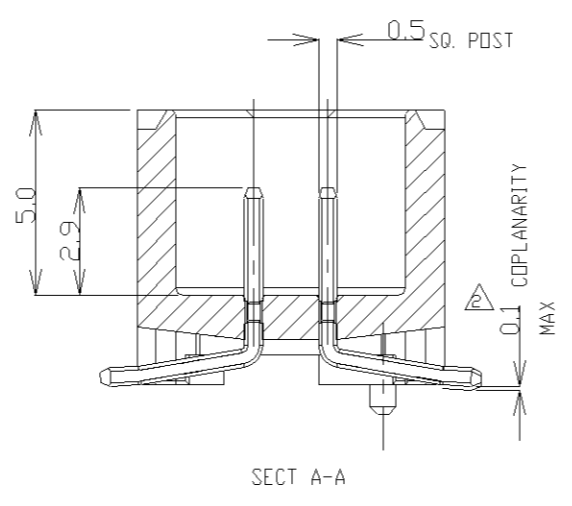
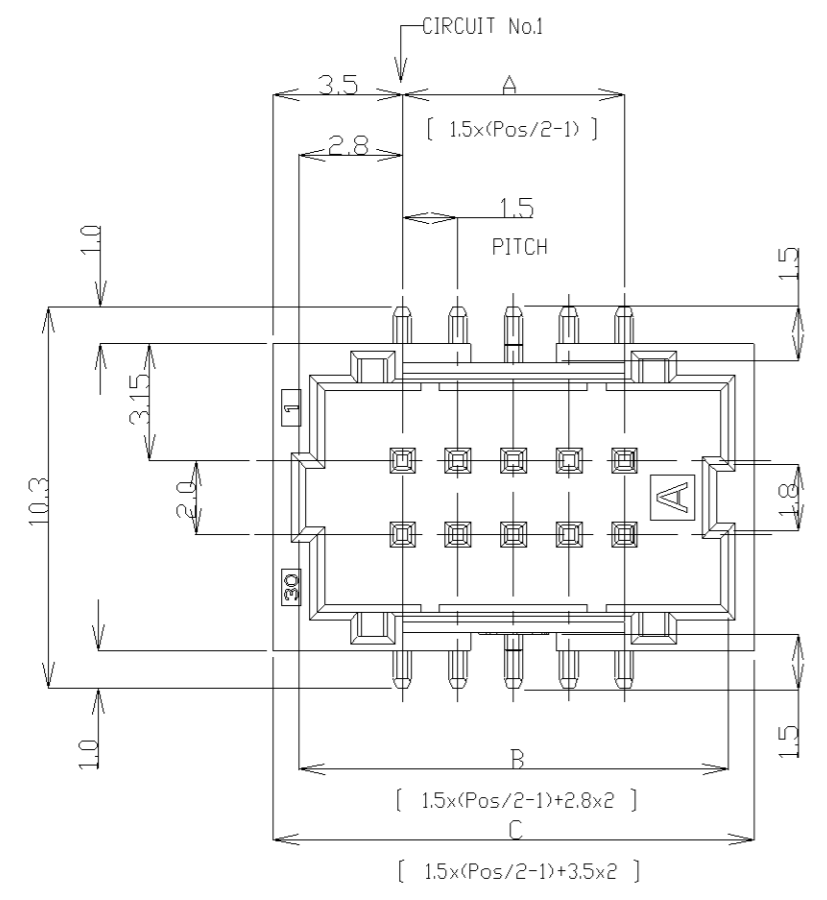
3

2

1

THIS DRAWING IS UNPUBLISHED. RELEASED FOR PUBLICATION  
 © COPYRIGHT BY TYCO ELECTRONICS CORPORATION. ALL INTERNATIONAL RIGHTS RESERVED.

LOC	DIST	REVISIONS					
		P	LTR	DESCRIPTION	DATE	DWN	APVD
ES	00	-	-		-	-	-



NOTES:  
 1. MATERIAL: HOUSING-HIGH HEAT RESISTANT, GLASS FILLED NYLON, UL94V-0, COLOR-BEIGE, BLACK  
 POST:Sn-100% BRASS WIRE  
 TO BE MEASURED WITH CONNECTOR PLACED ON HORIZONTAL DATUM SURFACE, FLOAT OF SOLDER TINE FROM DATUM SURFACE IS 0.1mm MAX.

TOLERANCES UNLESS OTHERWISE SPECIFIED:

10 >	±0.2
30 > 10	±0.25
100 > 30	±0.3
ANGLE	±3°

THIS DRAWING IS A CONTROLLED DOCUMENT.


DIMENSIONS: mm	TOLERANCES UNLESS OTHERWISE SPECIFIED:
	0 PLC ±
	1 PLC ±
	2 PLC ±
	3 PLC ±
	4 PLC ±
	ANGLES ±
MATERIAL SEE NOTE 1	FINISH SEE NOTE 1

DWN	CHK	APVD	PRODUCT SPEC	APPLICATION SPEC	WEIGHT	Tyco Electronics		Tyco Electronics Corporation Shanghai, P.R. China, 200233	
NAME						AMP Mini Common Terminated (CT) Connector 1.5mm PITCH DBL ROW POST HDR ASS'Y (V) SMT TYPE WITH BOSS			
SIZE	CAGE CODE	DRAWING NO	RESTRICTED TO						
A3	00779	C=292229	-		CUSTOMER DRAWING				
SCALE		SHEET		REV		NON 3 of 4 B1			

LOC		DIST		REVISIONS		
P	LTR	DESCRIPTION		DATE	DWN	APVD
-	-	-	-	-	-	-

31.5	35.5	34.1	28.5	40	9-292229-0	4-292229-0
30.0	34.0	22.6	27.0	38	8-292229-8	3-292229-8
28.5	32.5	31.1	25.5	36	8-292229-6	3-292229-6
27.0	31.0	29.6	24.0	34	8-292229-4	3-292229-4
25.5	29.5	28.1	22.5	32	8-292229-2	3-292229-2
24.0	28.0	26.6	21.0	30	8-292229-0	3-292229-0
22.5	26.5	25.1	19.5	28	7-292229-8	2-292229-8
21.0	25.0	23.6	18.0	26	7-292229-6	2-292229-6
19.5	23.5	22.1	16.5	24	7-292229-4	2-292229-4
18.0	22.0	20.6	15.0	22	7-292229-2	2-292229-2
D	C	B	A	Pos.	BLACK	BEIGE
DIMENSIONS					P/N	

THIS DRAWING IS UNPUBLISHED. BY TYCO ELECTRONICS CORPORATION. © COPYRIGHT - ALL INTERNATIONAL RIGHTS RESERVED.

DIMENSIONS: mm		DWN	MATERIAL	FINISH
TOLERANCES UNLESS OTHERWISE SPECIFIED:		CHK	 Tyco Electronics Corporation Shanghai, P.R. China. 200233	
0 PLC	± -	APVD		
1 PLC	± -	PRODUCT SPEC	NAME	
2 PLC	± -	APPLICATION SPEC	AMP Mini Common Terminated (CT) Conn. 1.5mm PITCH	
3 PLC	± -	WEIGHT	SIZE	CAGE CODE
4 PLC	± -		A4	00779
ANGLES	± -		DRAWING NO	RESTRICTED TO
			©-292229	
CUSTOMER DRAWING			SCALE	SHEET
			NON	4 of 4
			REV	B1

## X-ON Electronics

Largest Supplier of Electrical and Electronic Components

*Click to view similar products for [Headers & Wire Housings](#) category:*

*Click to view products by [TE Connectivity](#) manufacturer:*

Other Similar products are found below :

[892-18-020-10-001101](#) [58102-G61-06LF](#) [582553-1](#) [0009485154](#) [009176003701906](#) [0050291907](#) [LY20-4P-DT1-P1E-BR](#) [02.125.8002.8](#)  
[609-3404](#) [61062-3](#) [61082-181009](#) [622-3653LF](#) [63453-116](#) [636-1030](#) [636-1427](#) [636-3427](#) [636-4007](#) [641938-9](#) [641991-4](#) [644827-2](#) [65817-](#)  
[010LF](#) [65817-015LF](#) [65863-015LF](#) [66207-023LF](#) [67095-007LF](#) [67601157](#) [68645-018](#) [68648-049](#) [70.362.1628.0](#) [70-4210](#) [70-4226B](#) [70-](#)  
[4853B](#) [707-5020](#) [707-5028](#) [71.350.2428.0](#) [71918-208LF](#) [71961-016LF](#) [733-134](#) [733-162](#) [754199-000](#) [760-3052](#) [787-8014-00](#) [79531-3000](#)  
[FCN-360C032-B](#) [FCN-367T-T012/H](#) [FCN-723D010/2](#) [80.063.4001.1](#) [800-90-001-10-001000](#) [800-90-010-10-002000](#) [801-43-002-10-013000](#)