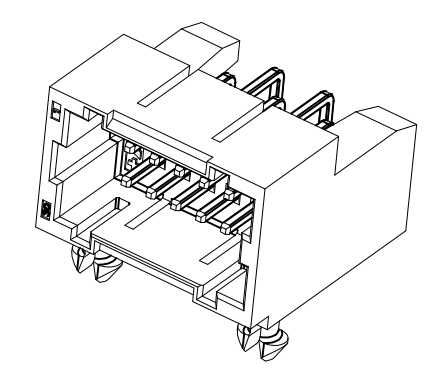
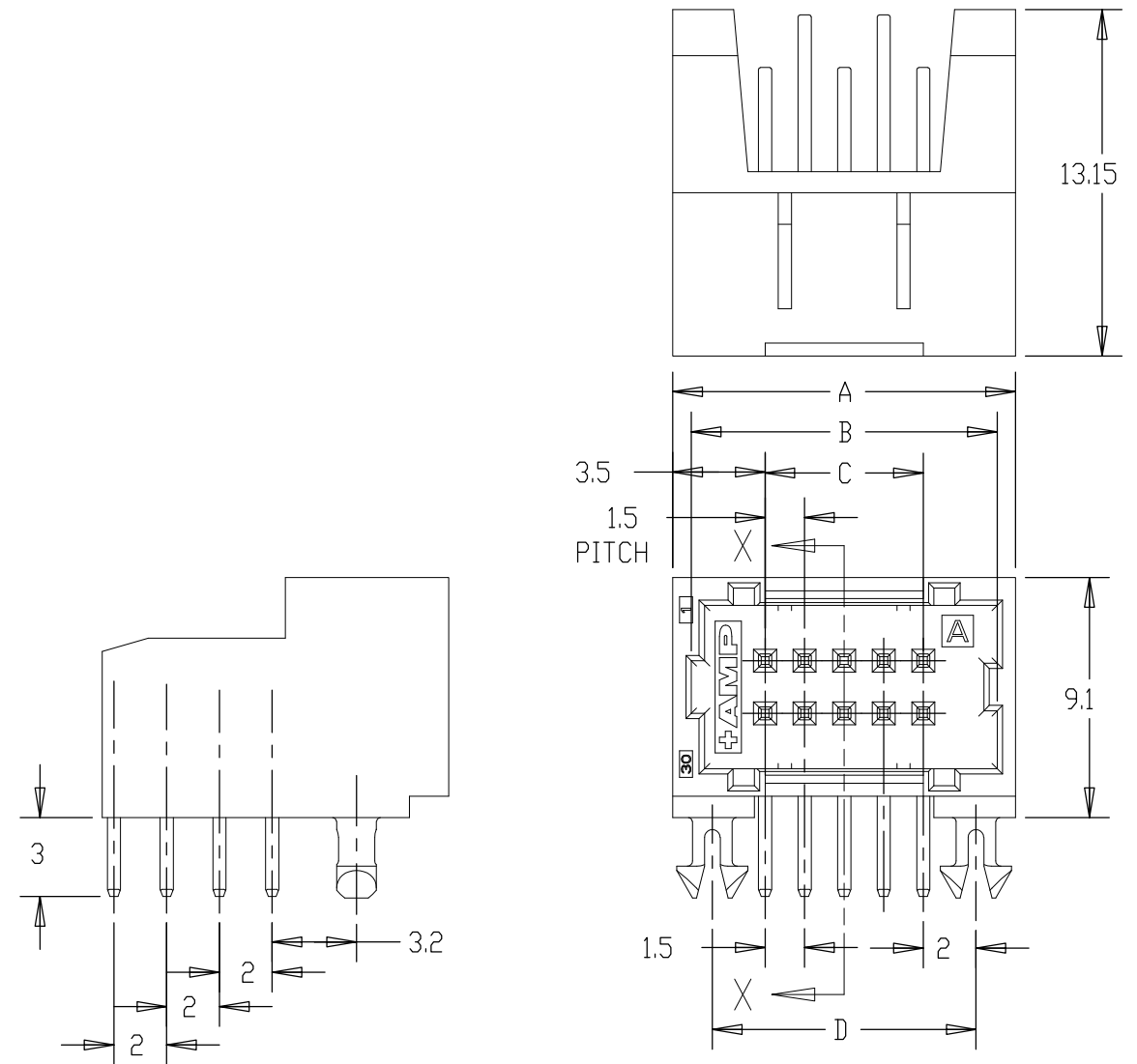
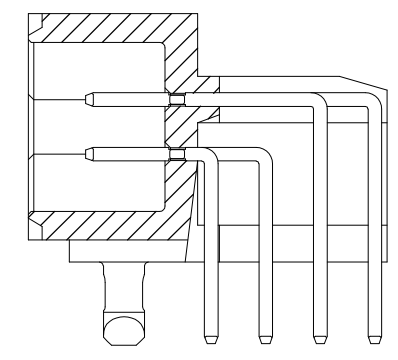


THIS DRAWING IS UNPUBLISHED. RELEASED FOR PUBLICATION
 © COPYRIGHT - By - ALL RIGHTS RESERVED.

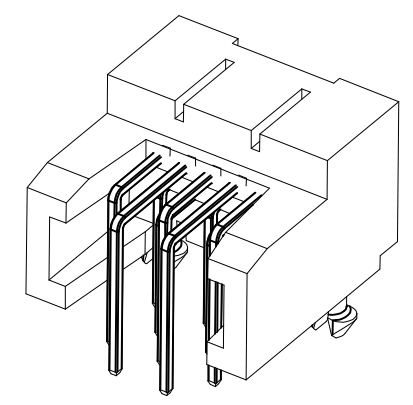
| LOC | DIST | REVISIONS | | | | | |
|-----|------|-----------|-----|---------------------------|---------|-----|------|
| ES | 00 | P | LTR | DESCRIPTION | DATE | DWN | APVD |
| | | | B2 | REVISED PER ECO-11-005033 | 29MAR11 | RK | HMR |



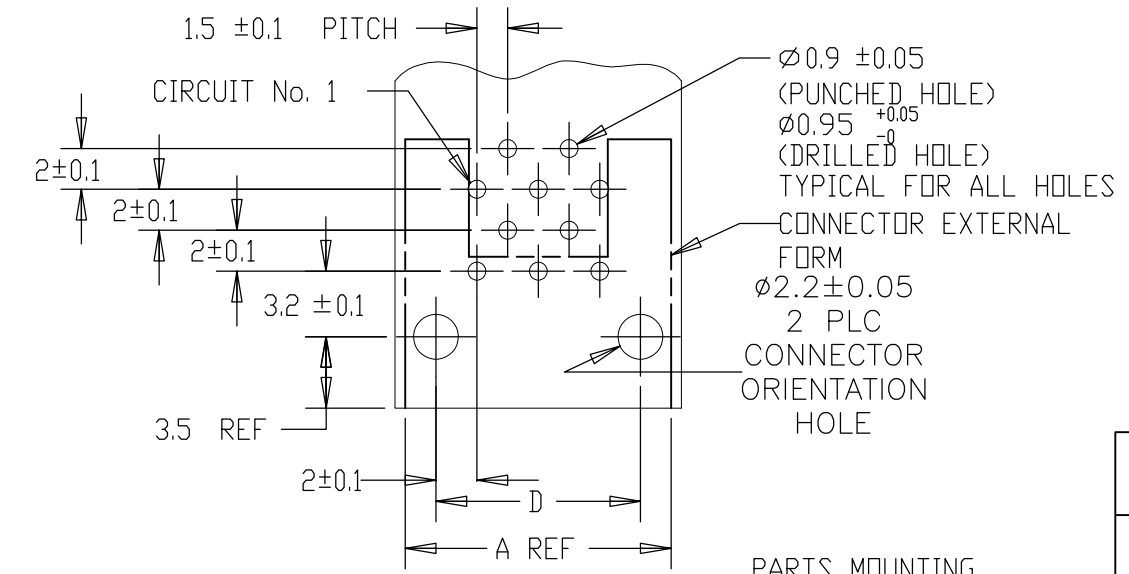
ISOMETRIC VIEW
SCALE 3:1



SECTION X-X



ISOMETRIC VIEW
SCALE 3:1



RECOMMENDED PCB LAYOUT - THK= 1.6
NON-ACCUMULATIVE TOLERANCE
SCALE 3:1

PARTS MOUNTING
SIDE

NOTES:

- MATERIAL:
HOUSING: NYLON (G.F) UL 94V-0
POST: PRE-TIN 0.5MM SQ BRASS WIRE
- GENERAL TOLERANCE ±0.3

| | | | | | | | | | | | | | | | | | | |
|---|----------|------------------------------|--|------------------------|-------|-------|--------|-------|---------|-------|----------|--------|-----|--------|-----|---------------------------|---------------|--|
| THIS DRAWING IS A CONTROLLED DOCUMENT. | | DWN J.JIANG 13FEB03 | | | | | | | | | | | | | | | | |
| DIMENSIONS: mm | | CHK S.YAO 13FEB03 | | | | | | | | | | | | | | | | |
| TOLERANCES UNLESS OTHERWISE SPECIFIED: | | APVD T.SASAKI 13FEB03 | NAME DBL ROW (H) TYPE WITH BOADRLOCK HDR ASSY For AMP Mini Common Terminated (CT) Connector 1.5mm Pitch | | | | | | | | | | | | | | | |
| <table border="1"> <tr><td>0 PLC</td><td>± -</td></tr> <tr><td>1 PLC</td><td>± 0.3</td></tr> <tr><td>2 PLC</td><td>± 0.10</td></tr> <tr><td>3 PLC</td><td>± 0.001</td></tr> <tr><td>4 PLC</td><td>± 0.0001</td></tr> <tr><td>ANGLES</td><td>± -</td></tr> <tr><td>FINISH</td><td>± -</td></tr> </table> | | 0 PLC | ± - | 1 PLC | ± 0.3 | 2 PLC | ± 0.10 | 3 PLC | ± 0.001 | 4 PLC | ± 0.0001 | ANGLES | ± - | FINISH | ± - | PRODUCT SPEC 108-60018 | RESTRICTED TO | |
| 0 PLC | ± - | | | | | | | | | | | | | | | | | |
| 1 PLC | ± 0.3 | | | | | | | | | | | | | | | | | |
| 2 PLC | ± 0.10 | | | | | | | | | | | | | | | | | |
| 3 PLC | ± 0.001 | | | | | | | | | | | | | | | | | |
| 4 PLC | ± 0.0001 | | | | | | | | | | | | | | | | | |
| ANGLES | ± - | | | | | | | | | | | | | | | | | |
| FINISH | ± - | | | | | | | | | | | | | | | | | |
| MATERIAL SEE NOTE | | APPLICATION SPEC 114-5223 | SIZE A3 | CAGE CODE 00779 | | | | | | | | | | | | | | |
| | | WEIGHT - | DRAWING NO C-292262 | REV B2 | | | | | | | | | | | | | | |
| | | CUSTOMER DRAWING | | SCALE 4:1 SHEET 1 OF 2 | | | | | | | | | | | | | | |

4

3

2


1

THIS DRAWING IS UNPUBLISHED. RELEASED FOR PUBLICATION - , - .

© COPYRIGHT - By - ALL RIGHTS RESERVED.

| LOC | DIST | REVISIONS | | | | | |
|-----|------|-----------|-----|-------------|------|-----|------|
| ES | 00 | P | LTR | DESCRIPTION | DATE | DWN | APVD |
| | | - | - | SEE SHEET 1 | - | - | - |

| | | | | | | | |
|----------------|------------|------|------|------|-----|------------|----------------|
| 2.7 | 35.5 | 28.5 | 34.1 | 35.5 | 40 | 9-292262-0 | 4-292262-0 |
| 2.6 | 31.0 | 27.0 | 32.6 | 34.0 | 38 | 8-292262-8 | 3-292262-8 |
| 2.5 | 29.5 | 25.5 | 31.1 | 32.5 | 36 | 8-292262-6 | 3-292262-6 |
| 2.4 | 28.0 | 24.0 | 29.6 | 31.0 | 34 | 8-292262-4 | 3-292262-4 |
| 2.3 | 26.5 | 22.5 | 28.1 | 29.5 | 32 | 8-292262-2 | 3-292262-2 |
| 2.2 | 25.0 | 21.0 | 26.6 | 28.0 | 30 | 8-292262-0 | 3-292262-0 |
| 2.1 | 23.5 | 19.5 | 25.1 | 26.5 | 28 | 7-292262-8 | 2-292262-8 |
| 2.0 | 22.0 | 18.0 | 23.6 | 25.0 | 26 | 7-292262-6 | 2-292262-6 |
| 1.9 | 20.5 | 16.5 | 22.1 | 23.5 | 24 | 7-292262-4 | 2-292262-4 |
| 1.8 | 19.0 | 15.0 | 20.6 | 22.0 | 22 | 7-292262-2 | 2-292262-2 |
| NET WEIGHT (g) | D | C | B | A | POS | BLUE | GRAY (NATURAL) |
| | DIMENSIONS | | | | | P/N | |

| | | | | | | | |
|---|--|---|----------------------------|--|--|--|---------------|
| THIS DRAWING IS A CONTROLLED DOCUMENT. | | DWN | STE TE Connectivity | | | | |
| DIMENSIONS: mm | | CHK | | | | | |
|  | | TOLERANCES UNLESS OTHERWISE SPECIFIED: | | NAME | | | |
| | | 0 PLC ± - 1 PLC ± 0.3 2 PLC ± 0.10 3 PLC ± 0.001 4 PLC ± 0.0001 ANGLES ± - | | DBL ROW (H) TYPE WITH BOADRLOCK HDR ASSY For AMP Mini Common Terminated (CT) Connector 1.5mm Pitch | | | |
| MATERIAL | | FINISH | | PRODUCT SPEC | | | RESTRICTED TO |
| SEE NOTE 1 | | - | | SEE SHEET 1 | | | |
| | | | | APPLICATION SPEC | | | SIZE |
| | | | | SEE SHEET 1 | | | CAGE CODE |
| | | | | WEIGHT | | | DRAWING NO |
| | | | | CUSTOMER DRAWING | | | A300779 |
| | | | | SCALE | | | 1:1 |
| | | | | SHEET | | | 2 OF 2 |
| | | | | REV | | | B2 |

X-ON Electronics

Largest Supplier of Electrical and Electronic Components

Click to view similar products for [Headers & Wire Housings](#) category:

Click to view products by [TE Connectivity](#) manufacturer:

Other Similar products are found below :

[892-18-020-10-001101](#) [58102-G61-06LF](#) [582553-1](#) [0009485154](#) [009176003701906](#) [0050291907](#) [LY20-4P-DT1-P1E-BR](#) [02.125.8002.8](#)
[609-3404](#) [61062-3](#) [61082-181009](#) [622-3653LF](#) [63453-116](#) [636-1030](#) [636-1427](#) [636-3427](#) [636-4007](#) [641938-9](#) [641991-4](#) [644827-2](#) [65817-](#)
[010LF](#) [65817-015LF](#) [65863-015LF](#) [66207-023LF](#) [67095-007LF](#) [67601157](#) [68645-018](#) [68648-049](#) [70.362.1628.0](#) [70-4210](#) [70-4226B](#) [70-](#)
[4853B](#) [707-5020](#) [707-5028](#) [71.350.2428.0](#) [71918-208LF](#) [71961-016LF](#) [733-134](#) [733-162](#) [754199-000](#) [760-3052](#) [787-8014-00](#) [79531-3000](#)
[FCN-360C032-B](#) [FCN-367T-T012/H](#) [FCN-723D010/2](#) [80.063.4001.1](#) [800-90-001-10-001000](#) [800-90-010-10-002000](#) [801-43-002-10-013000](#)