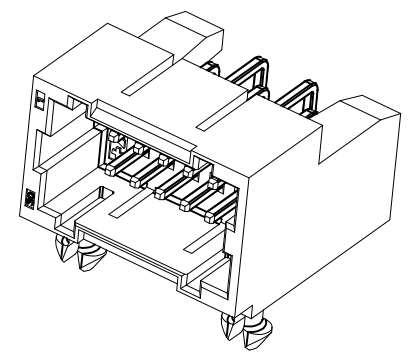
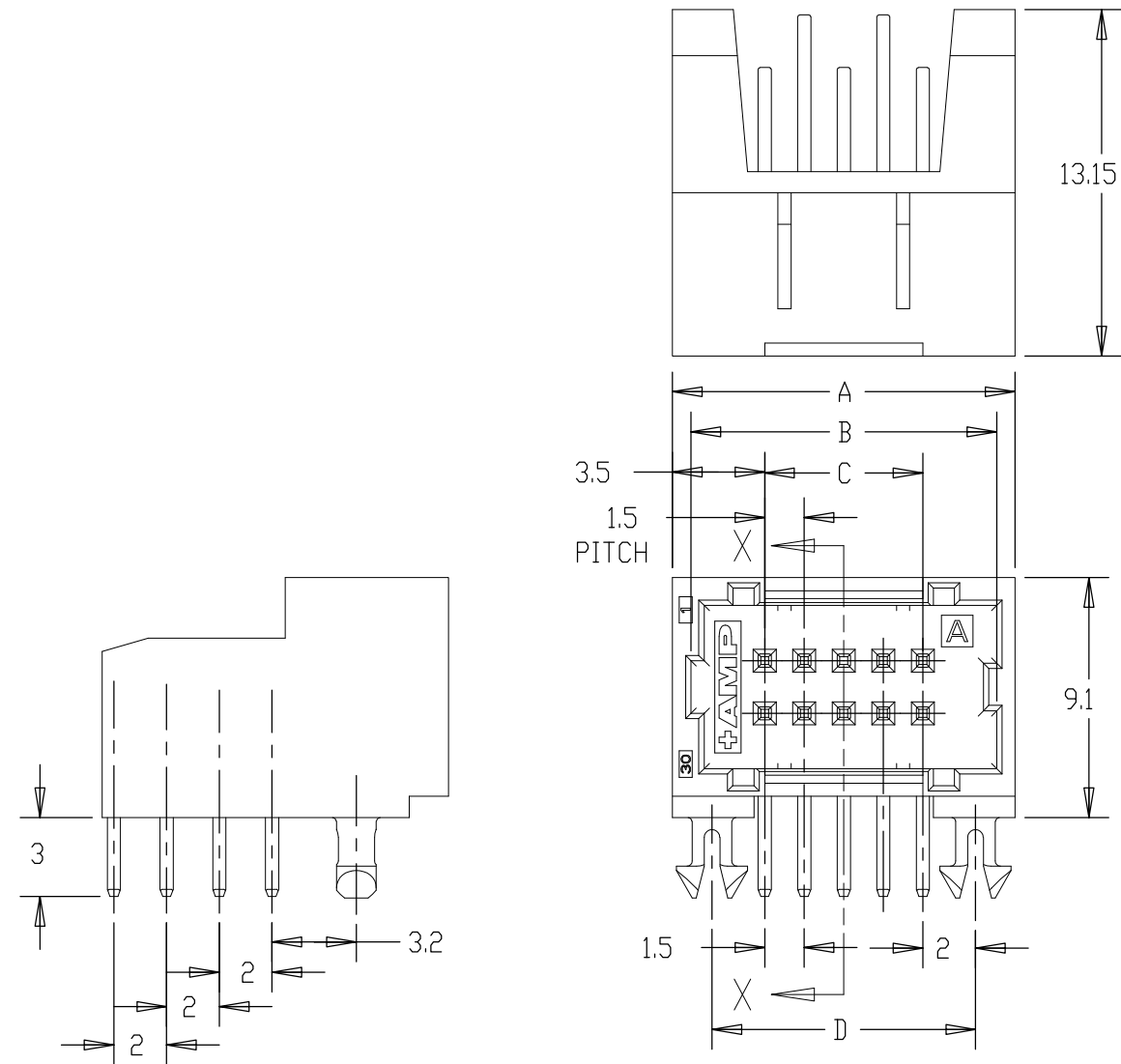
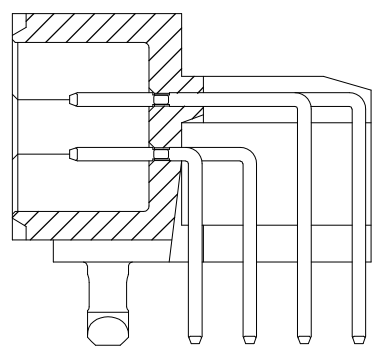


THIS DRAWING IS UNPUBLISHED. RELEASED FOR PUBLICATION
 © COPYRIGHT - By - ALL RIGHTS RESERVED.

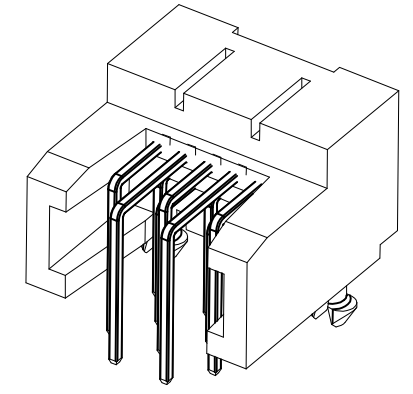
LOC	DIST	REVISIONS					
ES	00	P	LTR	DESCRIPTION	DATE	DWN	APVD
			B2	REVISED PER ECO-11-005033	29MAR11	RK	HMR



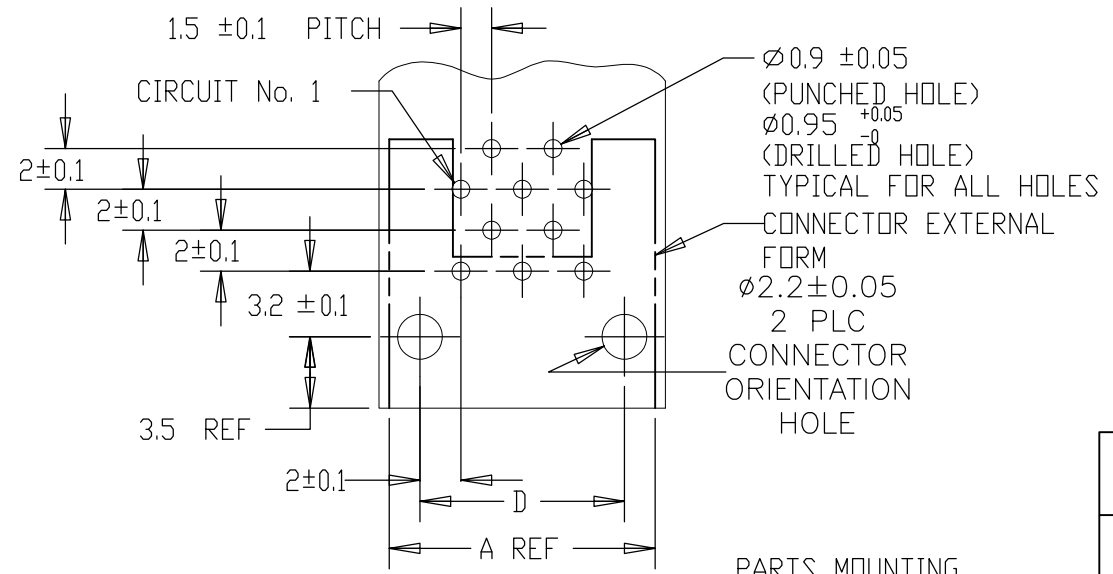
ISOMETRIC VIEW
SCALE 3:1



SECTION X-X



ISOMETRIC VIEW
SCALE 3:1



RECOMMENDED PCB LAYOUT - THK= 1.6
NON-ACCUMULATIVE TOLERANCE
SCALE 3:1

NOTES:

- MATERIAL:
HOUSING: NYLON (G.F) UL 94V-0
POST: PRE-TIN 0.5MM SQ BRASS WIRE
- GENERAL TOLERANCE ±0.3

THIS DRAWING IS A CONTROLLED DOCUMENT.		DWN	J.JIANG	13FEB03	TE Connectivity		
DIMENSIONS: mm		CHK	S.YAO	13FEB03			
TOLERANCES UNLESS OTHERWISE SPECIFIED:		APVD	T.SASAKI	13FEB03	NAME		
0 PLC ± -		PRODUCT SPEC		DBL ROW (H) TYPE WITH BOADLOCK HDR ASSY			
1 PLC ± 0.3		APPLICATION SPEC		For AMP Mini Common Terminated (CT)			
2 PLC ± 0.10		WEIGHT		Connector 1.5mm Pitch			
3 PLC ± 0.001		114-5223		SIZE	CAGE CODE	DRAWING NO	RESTRICTED TO
4 PLC ± 0.0001		-		A3	00779	C-292262	-
ANGLES ± -		CUSTOMER DRAWING		SCALE	SHEET	REV	
FINISH		SEE NOTE		4:1	1 OF 2	B2	

4

3

2

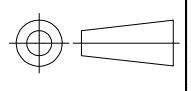
1

THIS DRAWING IS UNPUBLISHED. RELEASED FOR PUBLICATION - , - .

© COPYRIGHT - By - ALL RIGHTS RESERVED.

LOC	DIST	REVISIONS					
		P	LTR	DESCRIPTION	DATE	DWN	APVD
ES	00		-	SEE SHEET 1	-	-	-

2.7	35.5	28.5	34.1	35.5	40	9-292262-0	4-292262-0
2.6	31.0	27.0	32.6	34.0	38	8-292262-8	3-292262-8
2.5	29.5	25.5	31.1	32.5	36	8-292262-6	3-292262-6
2.4	28.0	24.0	29.6	31.0	34	8-292262-4	3-292262-4
2.3	26.5	22.5	28.1	29.5	32	8-292262-2	3-292262-2
2.2	25.0	21.0	26.6	28.0	30	8-292262-0	3-292262-0
2.1	23.5	19.5	25.1	26.5	28	7-292262-8	2-292262-8
2.0	22.0	18.0	23.6	25.0	26	7-292262-6	2-292262-6
1.9	20.5	16.5	22.1	23.5	24	7-292262-4	2-292262-4
1.8	19.0	15.0	20.6	22.0	22	7-292262-2	2-292262-2
NET WEIGHT (g)	D	C	B	A	POS	BLUE	GRAY (NATURAL)
	DIMENSIONS					P/N	

THIS DRAWING IS A CONTROLLED DOCUMENT.		DWN	STE TE Connectivity				
		CHK					
DIMENSIONS: mm		APVD	NAME				
		TOLERANCES UNLESS OTHERWISE SPECIFIED:		DBL ROW (H) TYPE WITH BOADRLOCK HDR ASSY			
		0 PLC ± - 1 PLC ± 0.3 2 PLC ± 0.10 3 PLC ± 0.001 4 PLC ± 0.0001 ANGLES ± -		For AMP Mini Common Terminated (CT)			
MATERIAL		PRODUCT SPEC		Connector 1.5mm Pitch			
SEE NOTE 1		FINISH		APPLICATION SPEC			
		WEIGHT		SIZE	CAGE CODE	DRAWING NO	RESTRICTED TO
		CUSTOMER DRAWING		A3	00779	C-292262	-
				SCALE	SHEET	REV	
				1:1	2 OF 2	B2	

X-ON Electronics

Largest Supplier of Electrical and Electronic Components

Click to view similar products for [Headers & Wire Housings](#) category:

Click to view products by [TE Connectivity](#) manufacturer:

Other Similar products are found below :

[892-18-020-10-001101](#) [58102-G61-06LF](#) [582553-1](#) [0009485154](#) [009176003701906](#) [0050291907](#) [LY20-4P-DT1-P1E-BR](#) [02.125.8002.8](#)
[609-3404](#) [61062-3](#) [61082-181009](#) [622-3653LF](#) [63453-116](#) [636-1030](#) [636-1427](#) [636-3427](#) [636-4007](#) [641938-9](#) [641991-4](#) [644827-2](#) [65817-](#)
[010LF](#) [65817-015LF](#) [65863-015LF](#) [66207-023LF](#) [67095-007LF](#) [67601157](#) [68645-018](#) [68648-049](#) [70.362.1628.0](#) [70-4210](#) [70-4226B](#) [70-](#)
[4853B](#) [707-5020](#) [707-5028](#) [71.350.2428.0](#) [71918-208LF](#) [71961-016LF](#) [733-134](#) [733-162](#) [754199-000](#) [760-3052](#) [787-8014-00](#) [79531-3000](#)
[FCN-360C032-B](#) [FCN-367T-T012/H](#) [FCN-723D010/2](#) [80.063.4001.1](#) [800-90-001-10-001000](#) [800-90-010-10-002000](#) [801-43-002-10-013000](#)