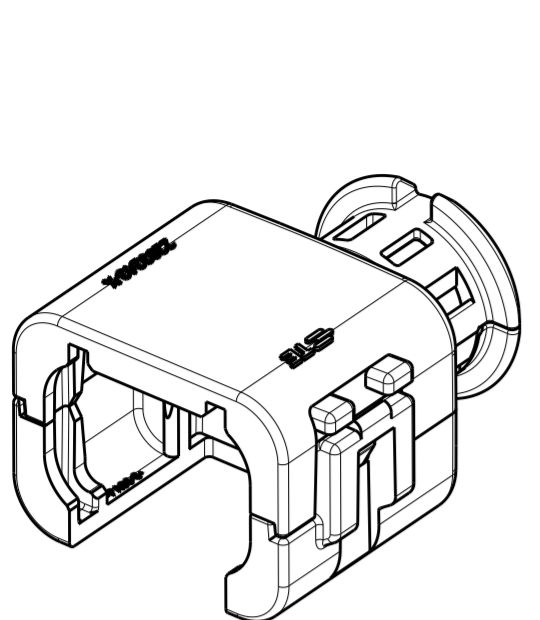
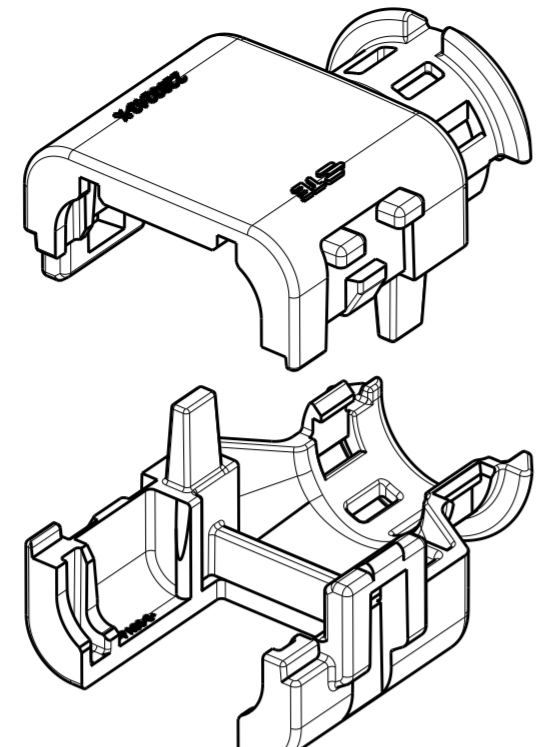


THIS DRAWING IS UNPUBLISHED. RELEASED FOR PUBLICATION 20  
 © COPYRIGHT 20 BY - ALL RIGHTS RESERVED.

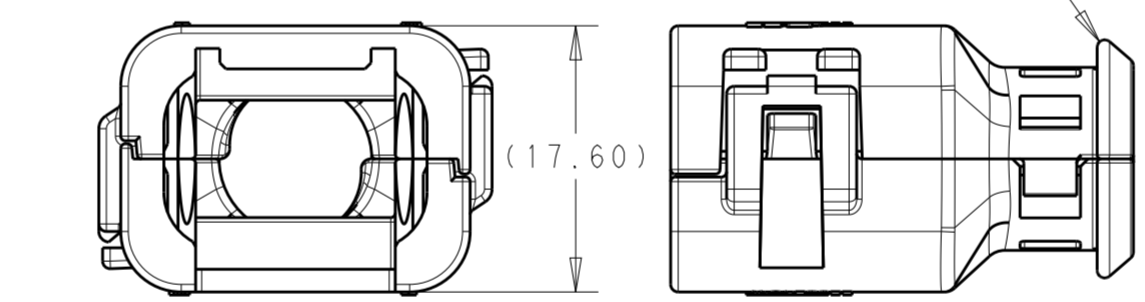
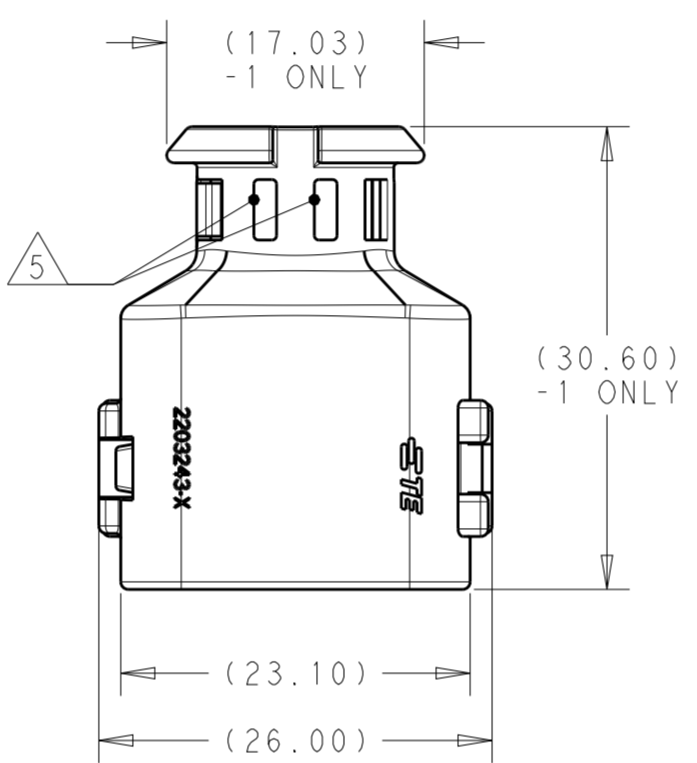
REVISIONS					
P	LTR	DESCRIPTION	DATE	DWN	APVD
	A	RELEASED PER ECO-15-010501	17JUL2015	JM	RB
	A1	REV PER ECO-16-007279	12MAY2016	JM	RB
	A2	REV PER ECO-16-013256	08SEP2016	JM	RB



2292797-1  
ASSEMBLED ISOMETRIC VIEW SHOWN



2292797-1  
EXPLODED ISOMETRIC VIEW SHOWN

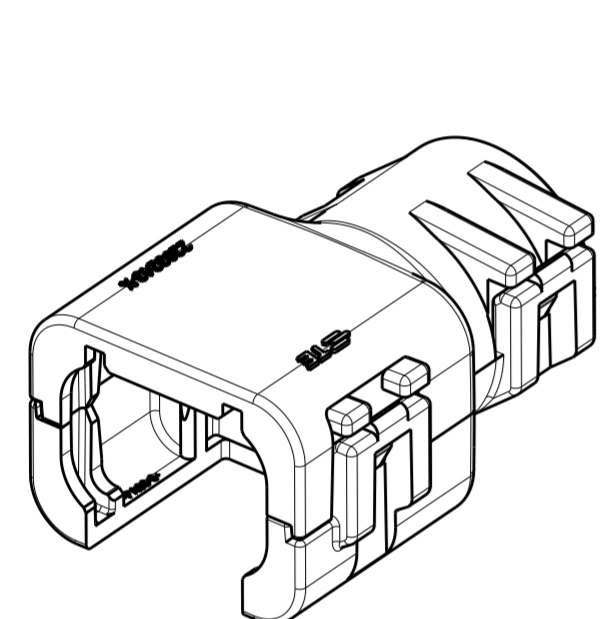


2292797-1  
ASSEMBLED VIEW SHOWN

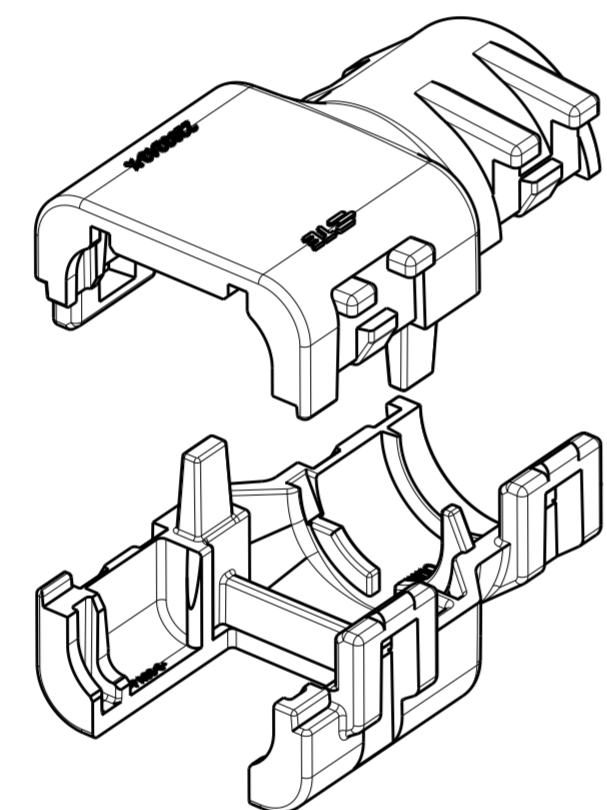
DIMENSIONS SHOWN TYPICAL FOR ALL PART NUMBERS EXCEPT AS NOTED



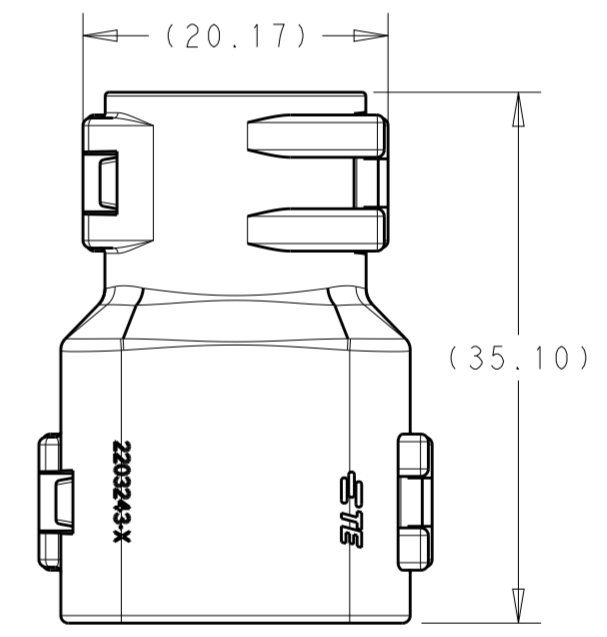
- 1 MATERIAL: NYLON MOLDING COMPOUND, BLACK, PA66/6.
- 2 BACKSHELL DESIGNED SUCH THAT TWO HALVES ATTACH TO ONE ANOTHER AND CLAMP AROUND THE CONNECTOR COVER.
- 3 DIMENSIONS TO BE MEASURED WHEN BACKSHELLS ASSEMBLED.
- 4 PRODUCT WEIGHTS:  
2292797-1: 3.55g ASSEMBLED  
2292797-2: 4.70g ASSEMBLED  
2292797-3: 5.20g ASSEMBLED
- 5 4mm WIDE SLOTS FOR TIE WRAP TO SECURE HARNESS WIRES (-1 ONLY).
- 6 HEAT SHRINK TUBING RETENTION FEATURE (-1 ONLY).
- 7. INSTRUCTION SHEET: 408-151043.
- 8. CONDUIT PROFILE: NORMAL ONLY.



2292797-2  
ASSEMBLED ISOMETRIC VIEW SHOWN

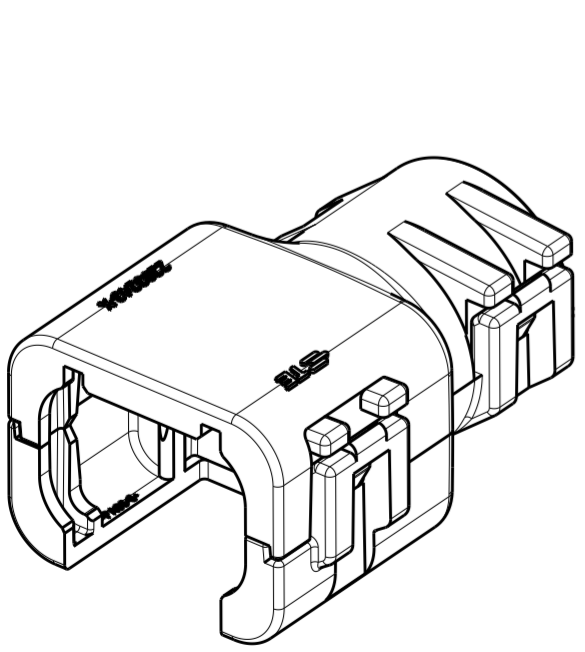


2292797-2  
EXPLODED ISOMETRIC VIEW SHOWN

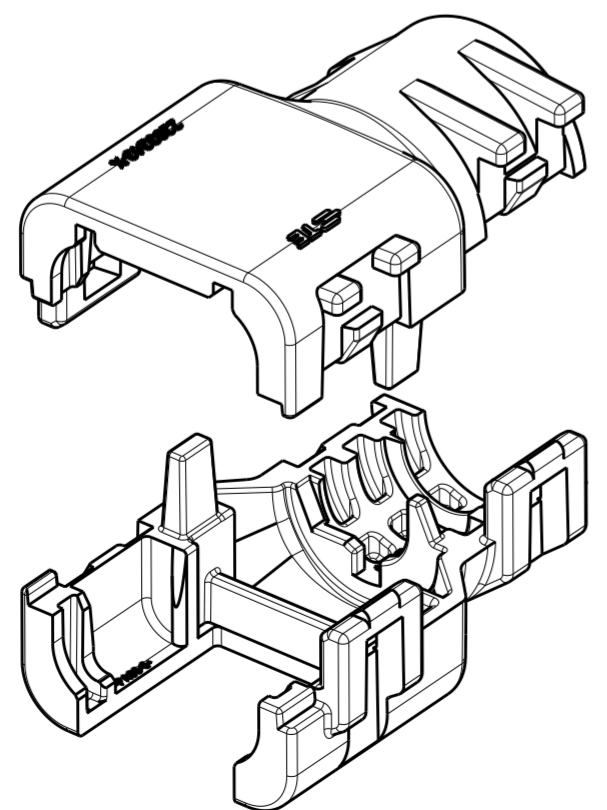


2292797-2  
ASSEMBLED VIEW SHOWN

DIMENSIONS SHOWN TYPICAL FOR -2 AND -3 ONLY



2292797-3  
ASSEMBLED ISOMETRIC VIEW SHOWN



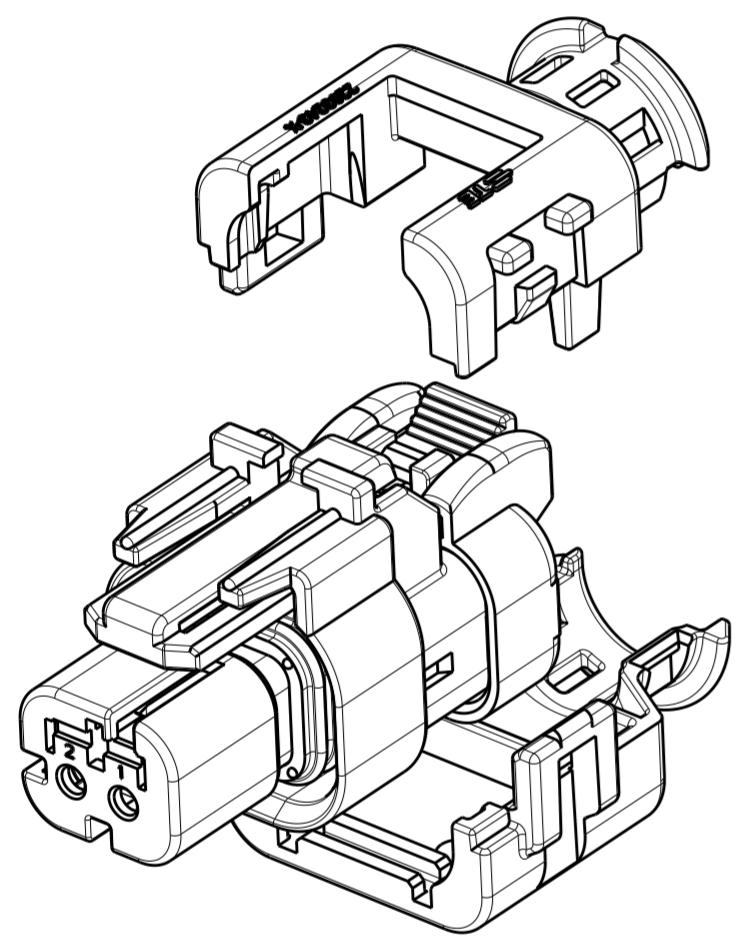
2292797-3  
EXPLODED ISOMETRIC VIEW SHOWN

776427-X	NC08	NW7.5	2292797-3
776522-X	NC12	NW10	2292797-2
	SMOOTH	SMOOTH	2292797-1
FITS ON PLUG ASSY	CORRUGATE NC	CORRUGATE NW	PART NUMBER
	CONDUIT SIZE		

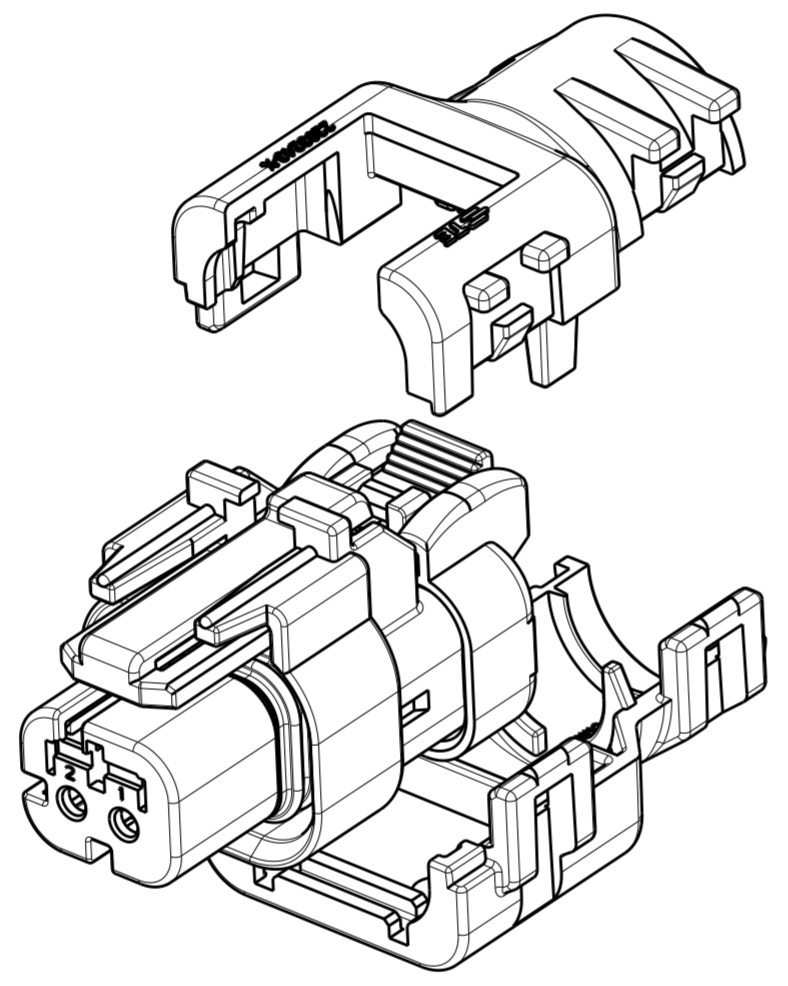
THIS DRAWING IS A CONTROLLED DOCUMENT.		DWN J MCNEAL 07MAY2015	<b>STE</b> TE Connectivity	
		CHK R BALTER 07MAY2015		
		APVD R BALTER 07MAY2015	NAME PLUG ASSEMBLY, BACKSHELL KIT, 2 POSITION, AMPSEAL 16	
DIMENSIONS: mm		PRODUCT SPEC 108-151043	SIZE CAGE CODE DRAWING NO RESTRICTED TO	
TOLERANCES UNLESS OTHERWISE SPECIFIED:		APPLICATION SPEC -	A200779 C-2292797	
0 PLC ±		WEIGHT 4	SCALE 2:1 SHEET 1 OF 2 REV A2	
1 PLC ±		CUSTOMER DRAWING		
2 PLC ±				
3 PLC ±				
4 PLC ±				
ANGLES ±				
FINISH -				
1				

THIS DRAWING IS UNPUBLISHED. RELEASED FOR PUBLICATION 20  
 © COPYRIGHT 20 BY - ALL RIGHTS RESERVED.

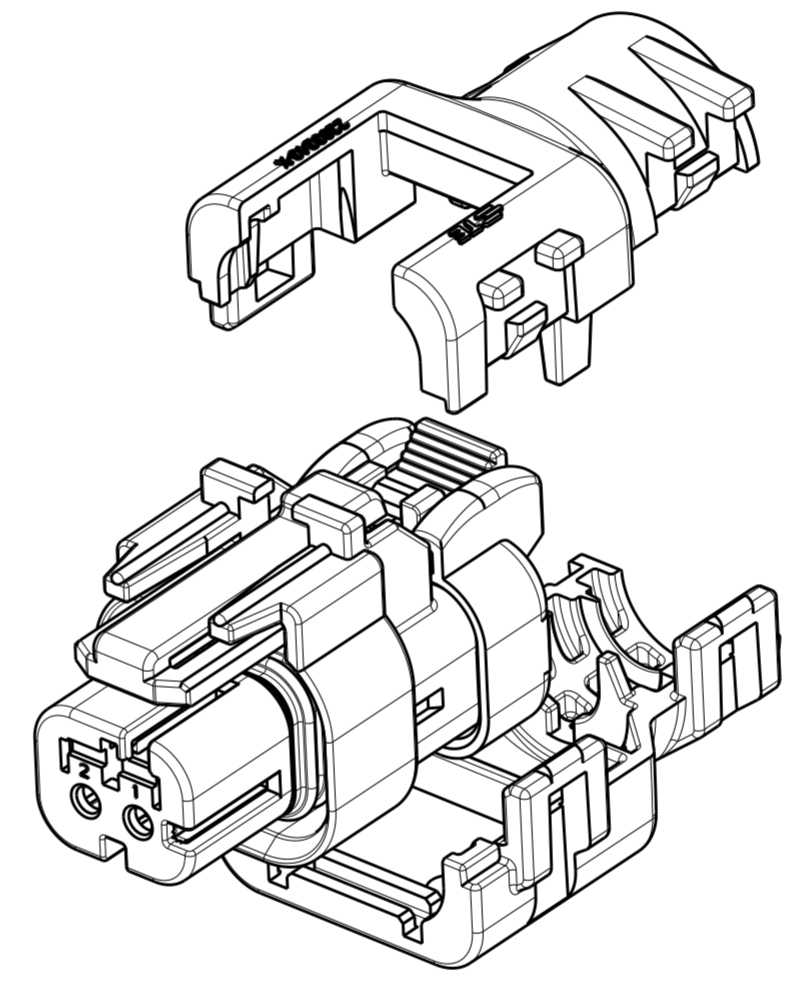
REVISIONS				
P	LTR	DESCRIPTION	DATE	APVD
-		SEE SHEET 1	-	-



2292797-1  
 WITH PLUG ASSEMBLY  
 EXPLODED ISOMETRIC VIEW SHOWN



2292797-2  
 WITH PLUG ASSEMBLY  
 EXPLODED ISOMETRIC VIEW SHOWN



2292797-3  
 WITH PLUG ASSEMBLY  
 EXPLODED ISOMETRIC VIEW SHOWN



THIS DRAWING IS A CONTROLLED DOCUMENT.		DWN J. MCNEAL 07MAY2015	TE Connectivity NAME PLUG ASSEMBLY, BACKSHELL KIT, 2 POSITION, AMPSEAL 16				
DIMENSIONS:		CHK R. BALTER 07MAY2015					
TOLERANCES UNLESS OTHERWISE SPECIFIED:		APVD R. BALTER 07MAY2015					
mm		PRODUCT SPEC 108-151043					
		APPLICATION SPEC -	SIZE A2	CAGE CODE 00779	DRAWING NO. C-2292797	RESTRICTED TO -	
MATERIAL		WEIGHT	CUSTOMER DRAWING		SCALE 2:1	SHEET 2 OF 2	REV A2

## X-ON Electronics

Largest Supplier of Electrical and Electronic Components

*Click to view similar products for [Automotive Connectors](#) category:*

*Click to view products by [TE Connectivity](#) manufacturer:*

Other Similar products are found below :

[003-018-000](#) [60403001](#) [60993906-B](#) [M902-2131](#) [M902-2161](#) [72.330.1035.1](#) [73.353.4028.0](#) [F119300-B](#) [F166900](#) [F258300-B](#) [F358300-B](#)  
[F407400](#) [F444110](#) [F487000](#) [F509500B-B](#) [827153-1](#) [8N1515-32-24P](#) [9-1326729-8](#) [925474-1](#) [928905-1](#) [964562-4](#) [968782-1](#) [GT17SA-8DS-](#)  
[HU](#) [98891-1012](#) [98947-1016](#) [12004147](#) [12004475-L](#) [12010290](#) [12010309-B](#) [12015454](#) [12020219-B](#) [12020308](#) [12041318-B](#) [12052225-L](#)  
[12052466](#) [12059125](#) [12064869](#) [12004327-B](#) [12010503-B](#) [12015308](#) [12015384](#) [12015909](#) [1-21030-1](#) [12041254](#) [12041318](#) [12047946-B](#)  
[12047957](#) [12047957-L](#) [12059473](#) [12066261](#)