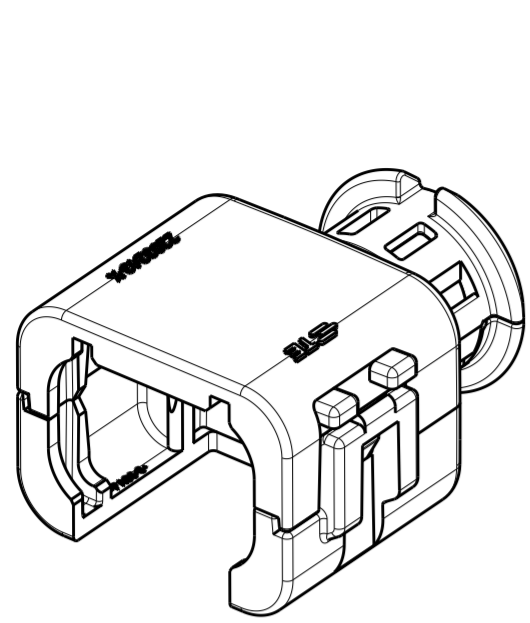
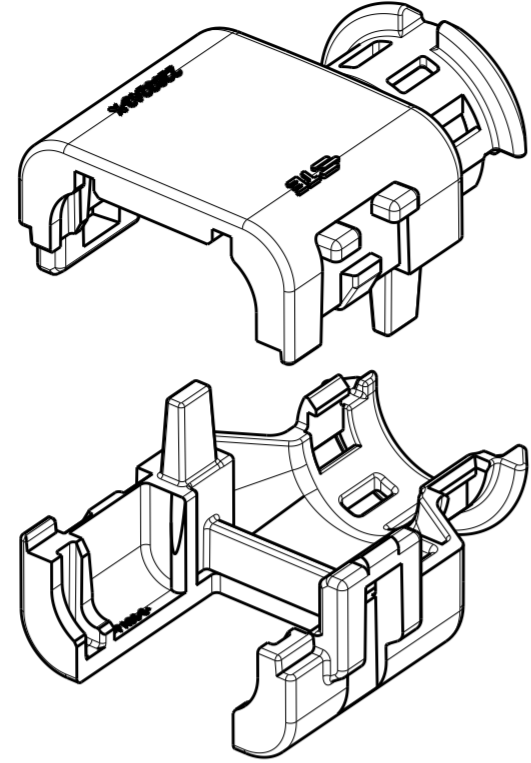


THIS DRAWING IS UNPUBLISHED. RELEASED FOR PUBLICATION 20
 © COPYRIGHT 20 BY - ALL RIGHTS RESERVED.

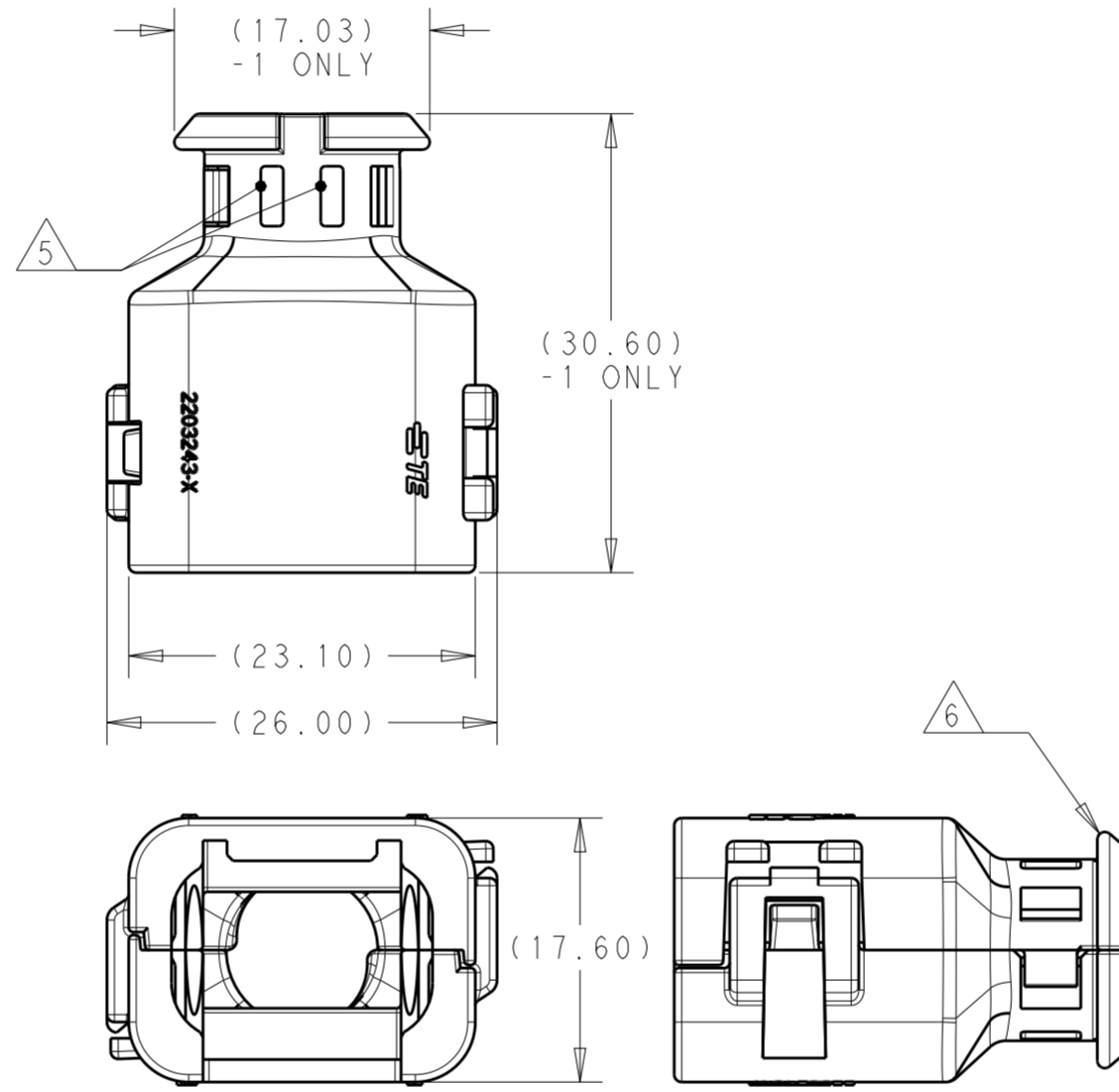
REVISIONS				
P	LTR	DESCRIPTION	DATE	APVD
A		RELEASED PER ECO-15-010501	17JUL2015	JM RB
A1		REV PER ECO-16-007279	12MAY2016	JM RB
A2		REV PER ECO-16-013256	08SEP2016	JM RB



2292797-1
ASSEMBLED ISOMETRIC VIEW SHOWN



2292797-1
EXPLODED ISOMETRIC VIEW SHOWN

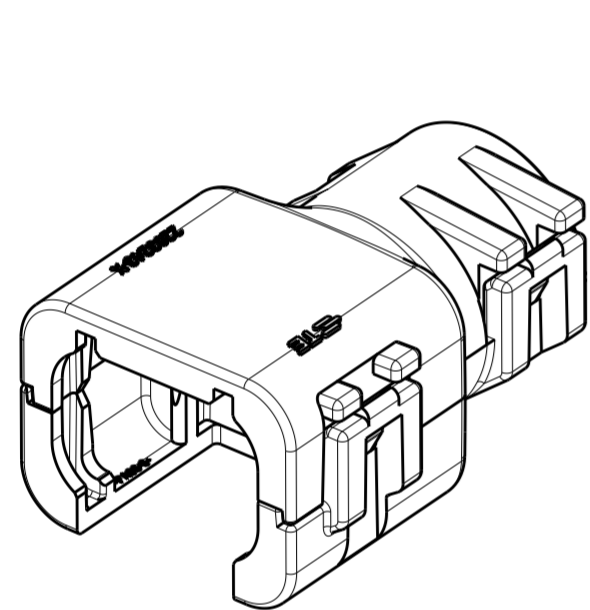


2292797-1
ASSEMBLED VIEW SHOWN

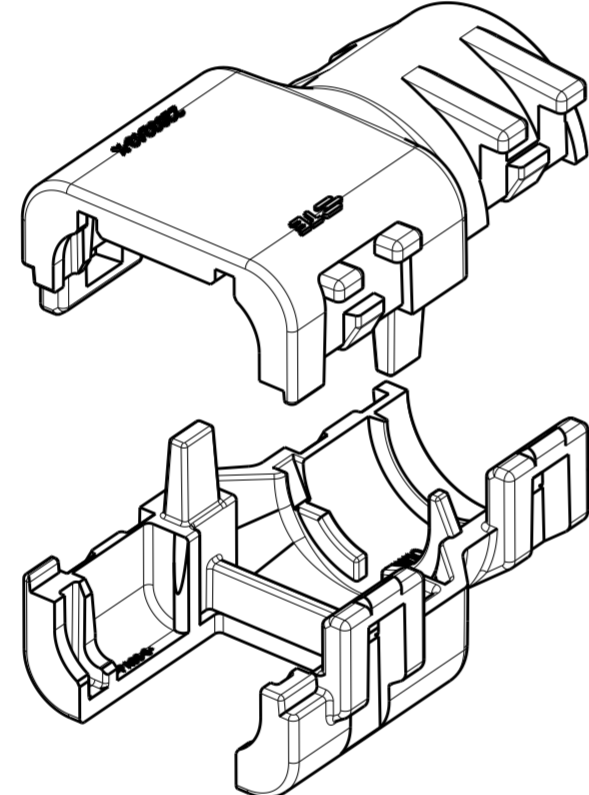
DIMENSIONS SHOWN TYPICAL FOR ALL PART NUMBERS EXCEPT AS NOTED



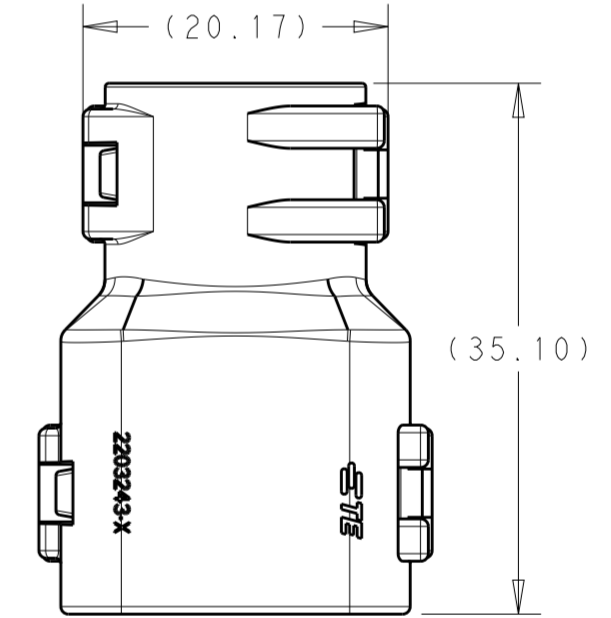
- 1 MATERIAL: NYLON MOLDING COMPOUND, BLACK, PA66/6.
- 2 BACKSHELL DESIGNED SUCH THAT TWO HALVES ATTACH TO ONE ANOTHER AND CLAMP AROUND THE CONNECTOR COVER.
- 3 DIMENSIONS TO BE MEASURED WHEN BACKSHELLS ASSEMBLED.
- 4 PRODUCT WEIGHTS:
2292797-1: 3.55g ASSEMBLED
2292797-2: 4.70g ASSEMBLED
2292797-3: 5.20g ASSEMBLED
- 5 4mm WIDE SLOTS FOR TIE WRAP TO SECURE HARNESS WIRES (-1 ONLY).
- 6 HEAT SHRINK TUBING RETENTION FEATURE (-1 ONLY).
- 7. INSTRUCTION SHEET: 408-151043.
- 8. CONDUIT PROFILE: NORMAL ONLY.



2292797-2
ASSEMBLED ISOMETRIC VIEW SHOWN

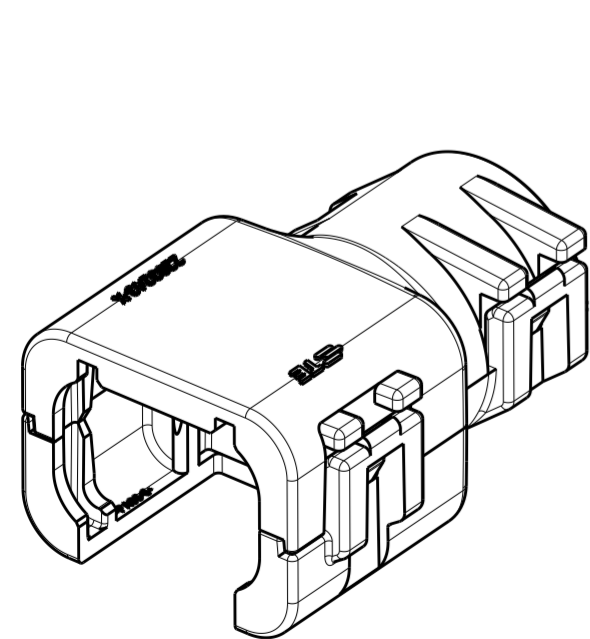


2292797-2
EXPLODED ISOMETRIC VIEW SHOWN

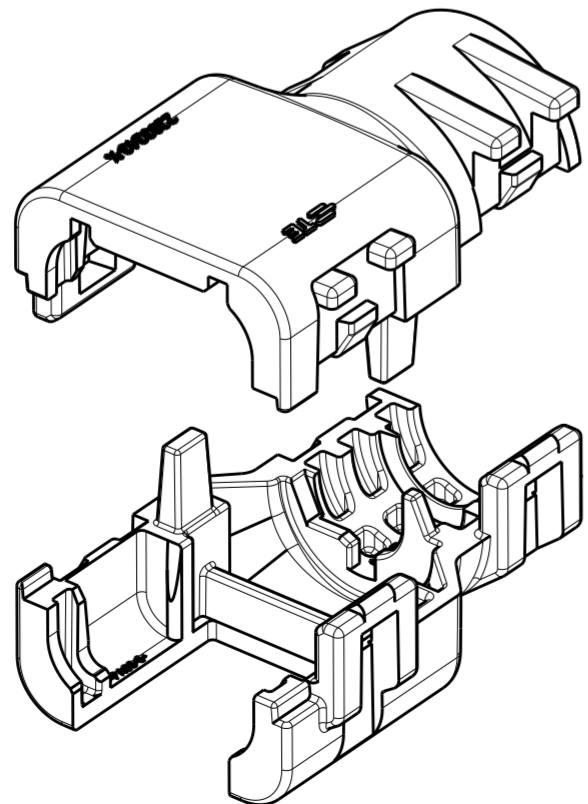


2292797-2
ASSEMBLED VIEW SHOWN

DIMENSIONS SHOWN TYPICAL FOR -2 AND -3 ONLY



2292797-3
ASSEMBLED ISOMETRIC VIEW SHOWN



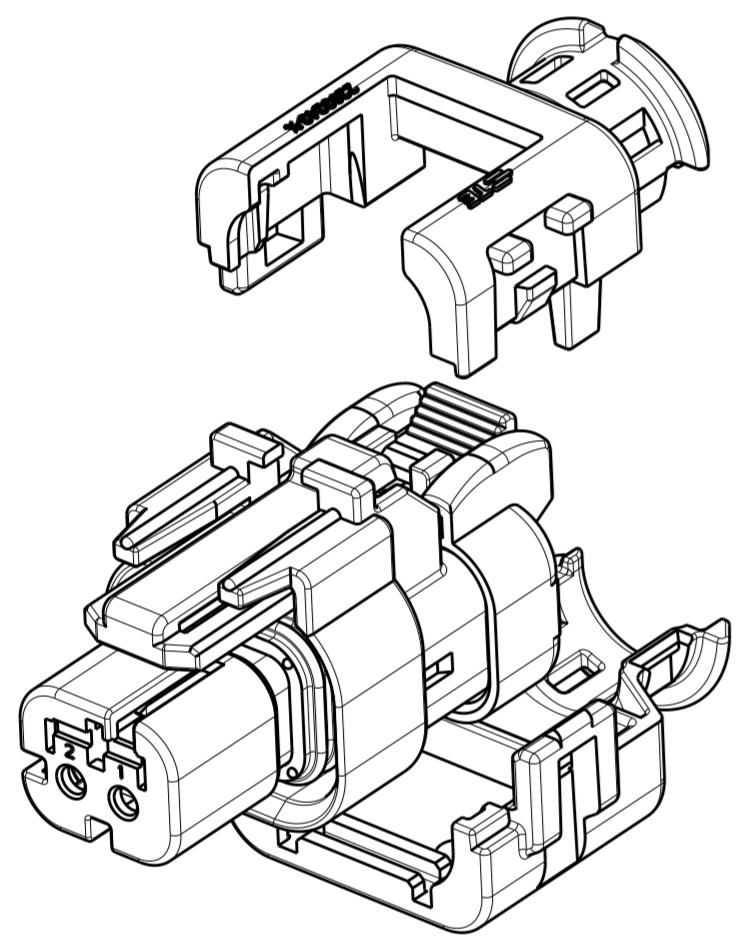
2292797-3
EXPLODED ISOMETRIC VIEW SHOWN

776427-X	NC08	NW7.5	2292797-3
776522-X	NC12	NW10	2292797-2
	SMOOTH	SMOOTH	2292797-1
FITS ON PLUG ASSY	CORRUGATE NC	CORRUGATE NW	PART NUMBER
	CONDUIT SIZE		

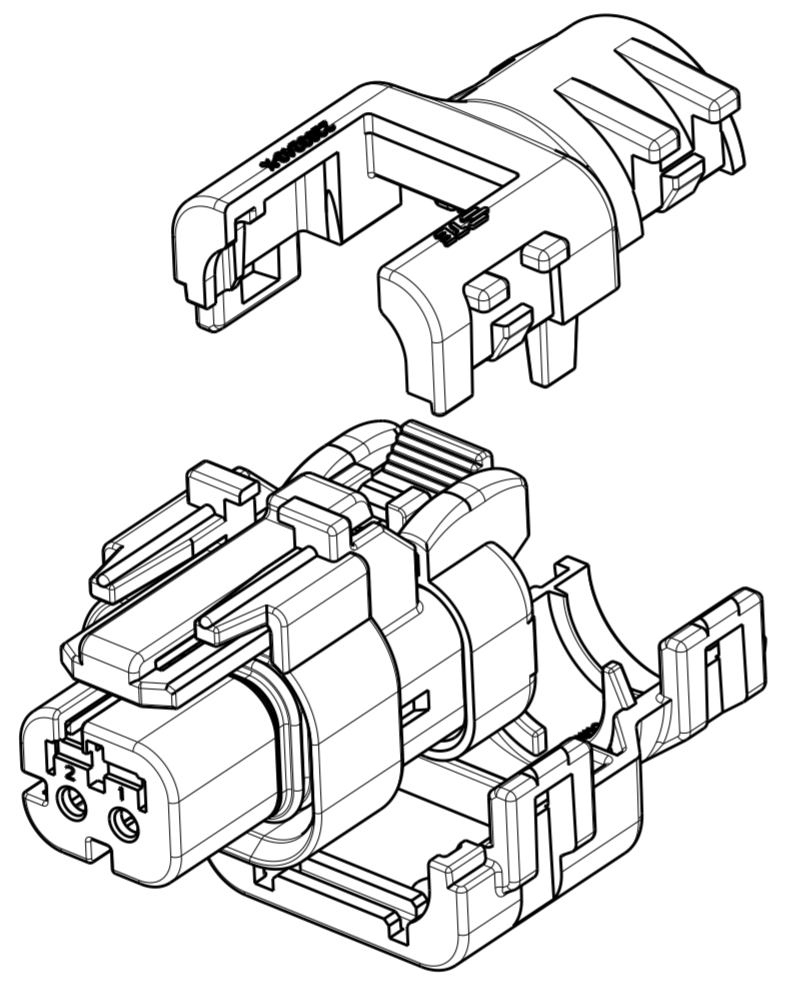
THIS DRAWING IS A CONTROLLED DOCUMENT.		DWN J. MCNEAL 07MAY2015	TE Connectivity	
		CHK R. BALTER 07MAY2015		
		APVD R. BALTER 07MAY2015	NAME PLUG ASSEMBLY, BACKSHELL KIT, 2 POSITION, AMPSEAL 16	
DIMENSIONS: mm		PRODUCT SPEC 108-151043	RESTRICTED TO	
TOLERANCES UNLESS OTHERWISE SPECIFIED:		APPLICATION SPEC		
0 PLC ±		WEIGHT		
1 PLC ±		CUSTOMER DRAWING		
2 PLC ±		SCALE 2:1	SHEET 1 OF 2	
3 PLC ±			REV A2	
4 PLC ±				
ANGLES ±				
FINISH				

THIS DRAWING IS UNPUBLISHED. RELEASED FOR PUBLICATION 20
 © COPYRIGHT 20 BY - ALL RIGHTS RESERVED.

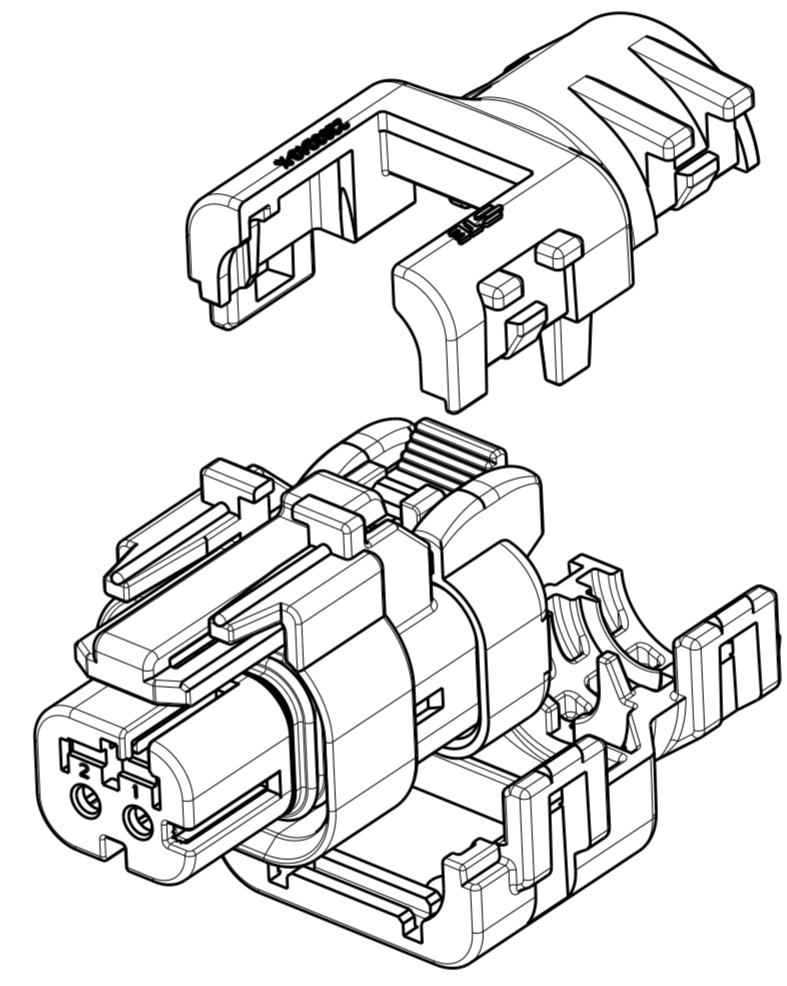
REVISIONS				
P	LTR	DESCRIPTION	DATE	APVD
-		SEE SHEET 1	-	-



2292797-1
 WITH PLUG ASSEMBLY
 EXPLODED ISOMETRIC VIEW SHOWN



2292797-2
 WITH PLUG ASSEMBLY
 EXPLODED ISOMETRIC VIEW SHOWN



2292797-3
 WITH PLUG ASSEMBLY
 EXPLODED ISOMETRIC VIEW SHOWN



THIS DRAWING IS A CONTROLLED DOCUMENT.		DWN J. MCNEAL 07MAY2015	TE Connectivity	
		CHK R. BALTER 07MAY2015		
		APVD R. BALTER 07MAY2015	NAME PLUG ASSEMBLY, BACKSHELL KIT, 2 POSITION, AMPSEAL 16	
DIMENSIONS: mm		PRODUCT SPEC 108-151043	SIZE	CAGE CODE
		APPLICATION SPEC -	DRAWING NO A200779C-2292797	
TOLERANCES UNLESS OTHERWISE SPECIFIED:		WEIGHT	RESTRICTED TO	
0 PLC	±	-		
1 PLC	±	-		
2 PLC	±	-		
3 PLC	±	-		
4 PLC	±	-		
ANGLES	±	-		
FINISH	-	-		
MATERIAL	-	CUSTOMER DRAWING		
		SCALE	SHEET	REV
		2:1	2 OF 2	A2

X-ON Electronics

Largest Supplier of Electrical and Electronic Components

Click to view similar products for [Automotive Connectors](#) category:

Click to view products by [TE Connectivity](#) manufacturer:

Other Similar products are found below :

[003-018-000](#) [60403001](#) [60993906-B](#) [M902-2131](#) [M902-2161](#) [72.330.1035.1](#) [73.353.4028.0](#) [F119300-B](#) [F166900](#) [F258300-B](#) [F358300-B](#)
[F407400](#) [F444110](#) [F487000](#) [F509500B-B](#) [827153-1](#) [8N1515-32-24P](#) [9-1326729-8](#) [925474-1](#) [928905-1](#) [964562-4](#) [968782-1](#) [GT17SA-8DS-](#)
[HU](#) [98891-1012](#) [98947-1016](#) [12004147](#) [12004475-L](#) [12010290](#) [12010309-B](#) [12015454](#) [12020219-B](#) [12020308](#) [12041318-B](#) [12052225-L](#)
[12052466](#) [12059125](#) [12064869](#) [12004327-B](#) [12010503-B](#) [12015308](#) [12015384](#) [12015909](#) [1-21030-1](#) [12041254](#) [12041318](#) [12047946-B](#)
[12047957](#) [12047957-L](#) [12059473](#) [12066261](#)