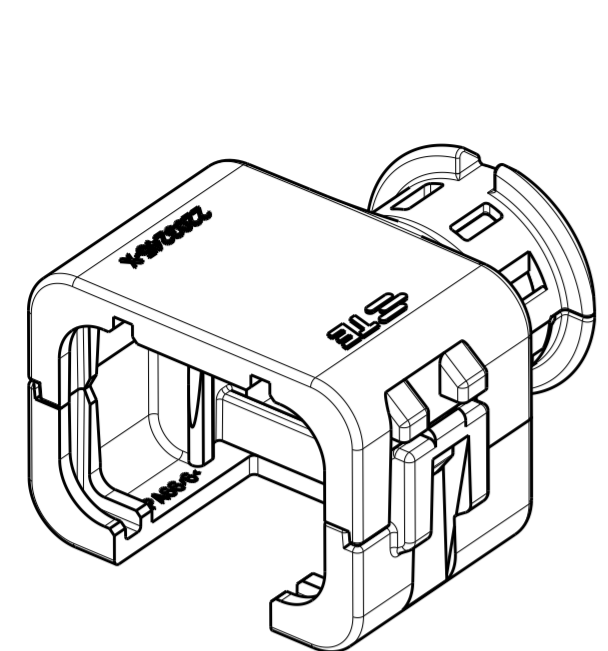
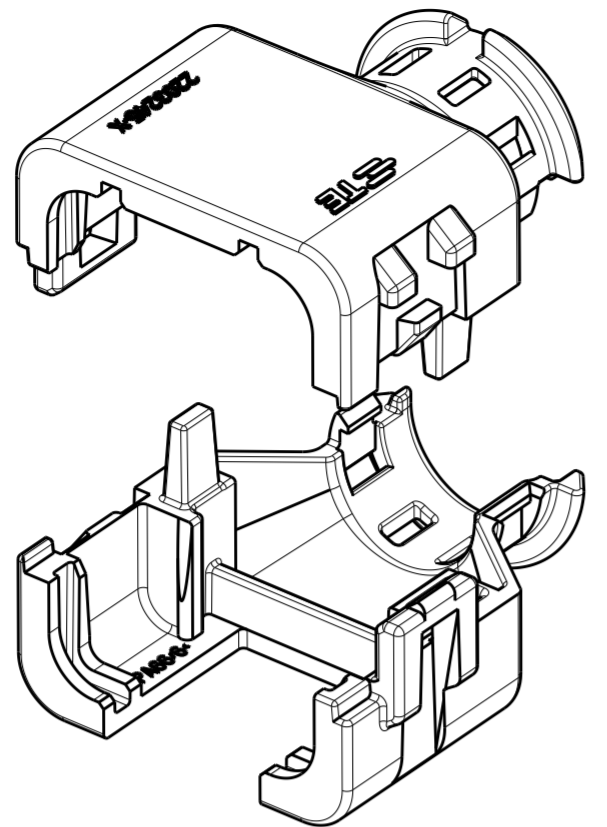


THIS DRAWING IS UNPUBLISHED. RELEASED FOR PUBLICATION 20  
 © COPYRIGHT 20 BY - ALL RIGHTS RESERVED.

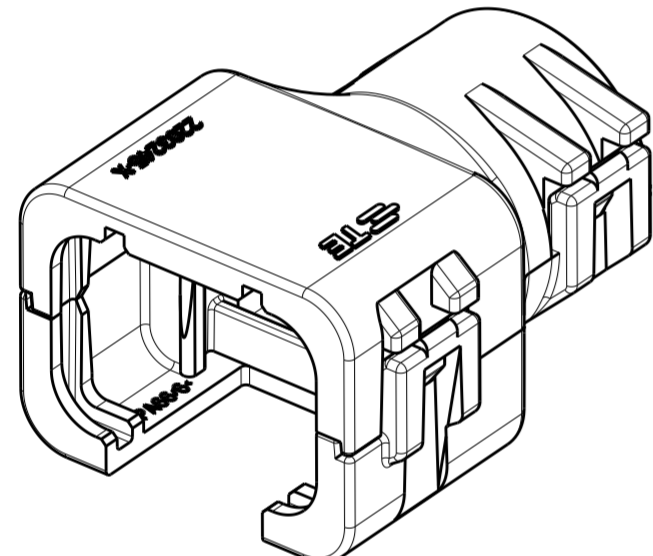
REVISIONS				
P	LTR	DESCRIPTION	DATE	APVD
	A	RELEASED PER ECO-15-010501	17JUL2015	JM RB
	A1	REV PER ECO-16-008350	02JUN2016	JM RB
	A2	REV PER ECO-16-013256	08SEP2016	JM RB



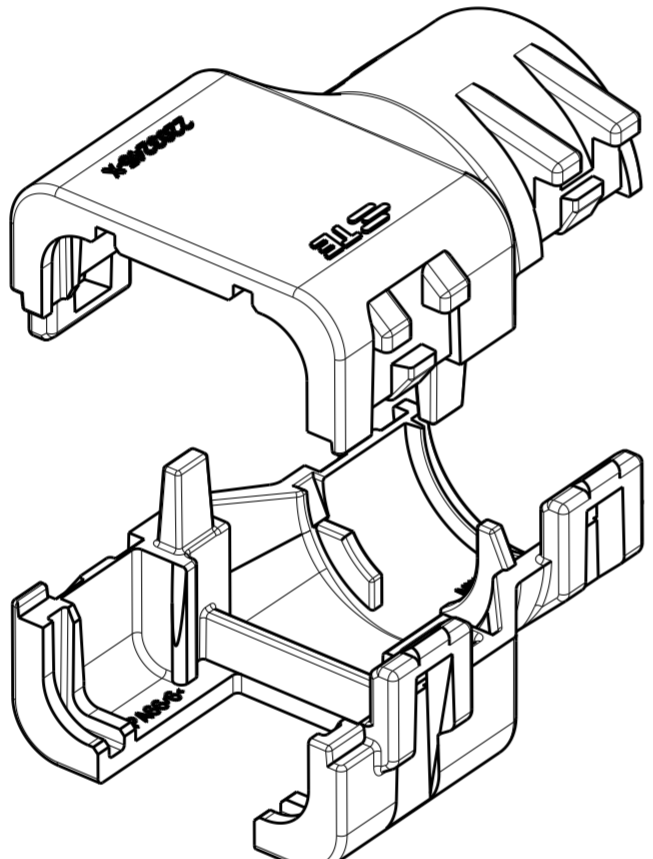
2292799-1  
ASSEMBLED ISOMETRIC VIEW SHOWN



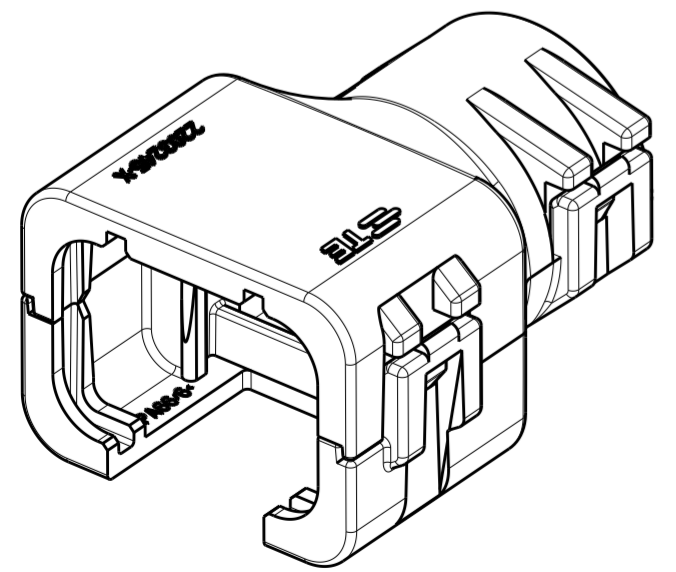
2292799-1  
EXPLODED ISOMETRIC VIEW SHOWN



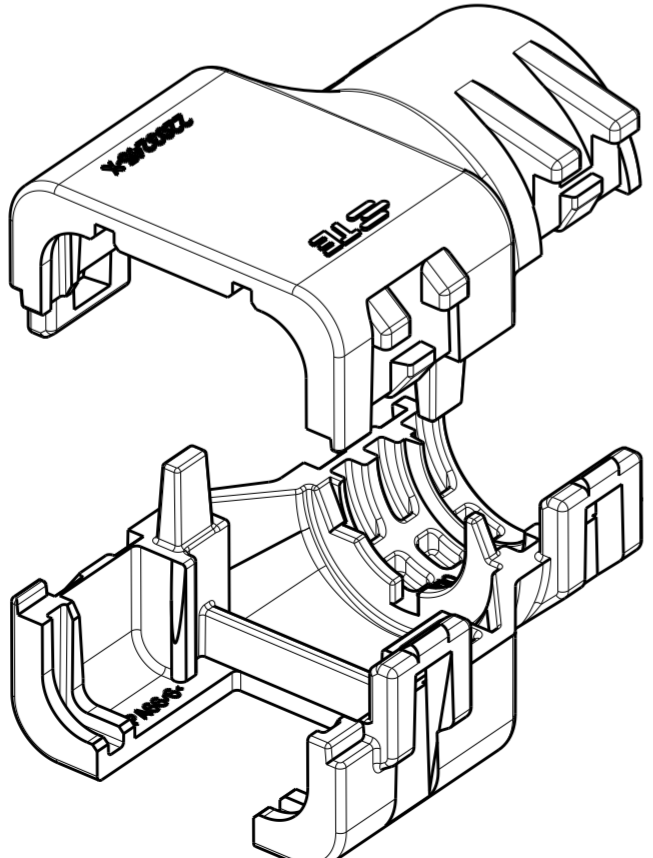
2292799-2  
ASSEMBLED ISOMETRIC VIEW SHOWN



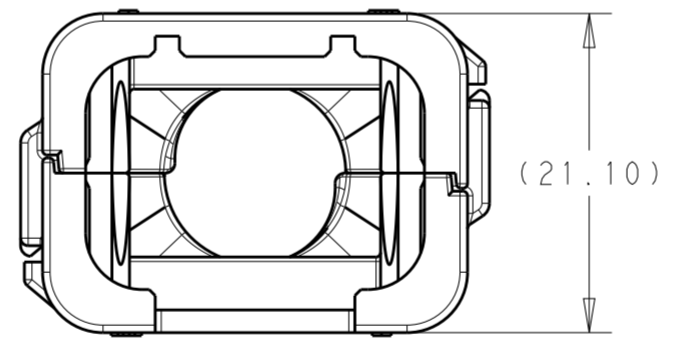
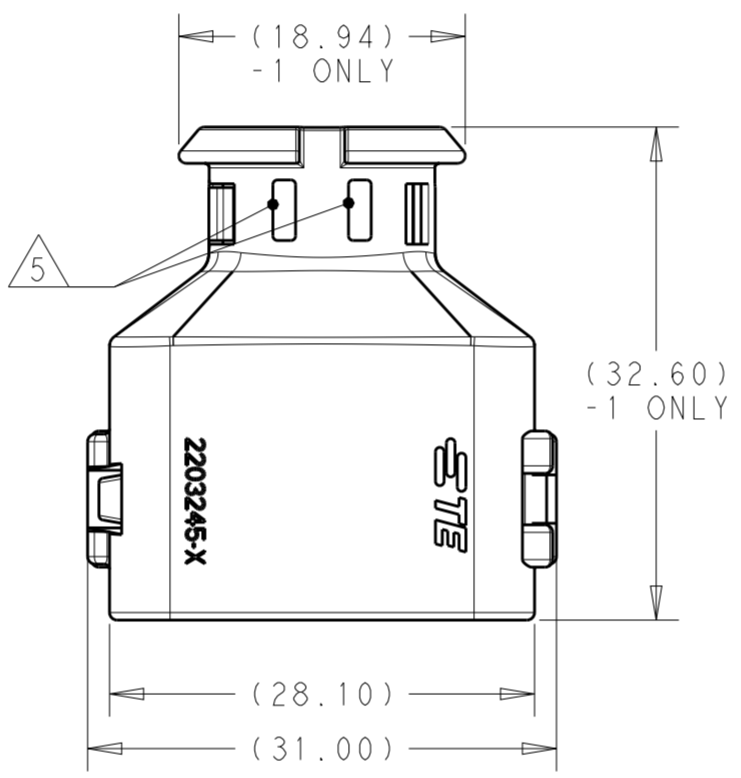
2292799-2  
EXPLODED ISOMETRIC VIEW SHOWN



2292799-3  
ASSEMBLED ISOMETRIC VIEW SHOWN

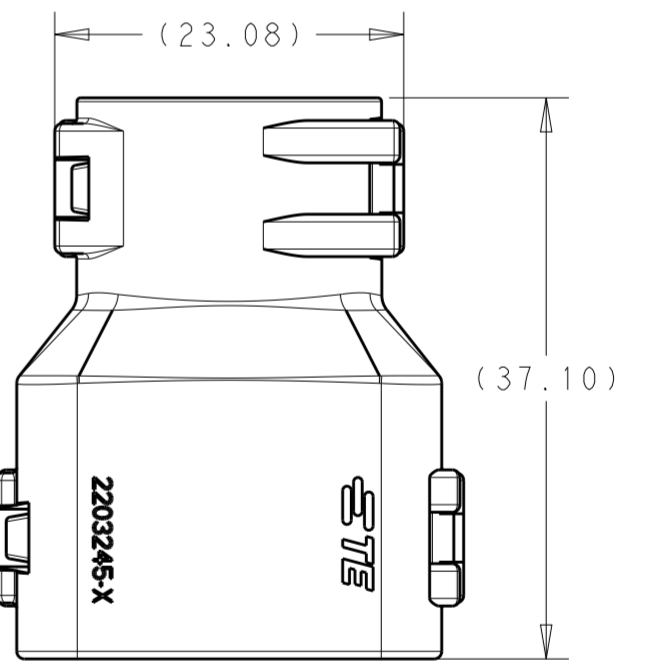
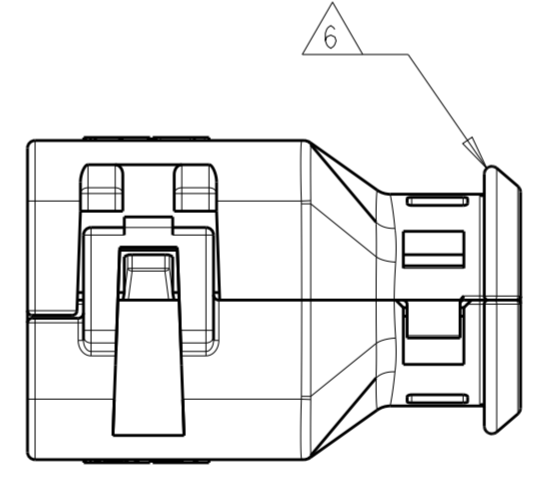


2292799-3  
EXPLODED ISOMETRIC VIEW SHOWN



2292799-1  
ASSEMBLED VIEW SHOWN

DIMENSIONS SHOWN TYPICAL FOR ALL PART NUMBERS <sup>3</sup> EXCEPT AS NOTED



2292799-2  
ASSEMBLED VIEW SHOWN

DIMENSIONS SHOWN TYPICAL FOR -2 AND -3 ONLY <sup>3</sup>

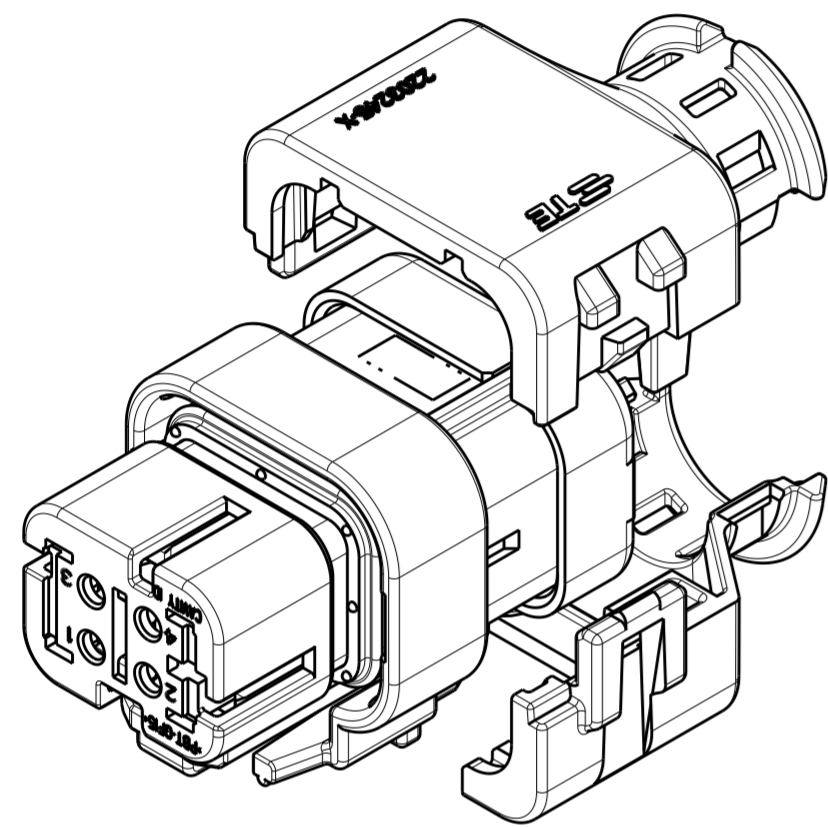
776487-X	NC12	NW10	2292799-3
776524-X	NC16	NW13	2292799-2
	SMOOTH	SMOOTH	2292799-1
FITS ON PLUG ASSY	CORREGATE NC	CORREGATE NW	PART NUMBER
	CONDUIT SIZE		

THIS DRAWING IS A CONTROLLED DOCUMENT.		DWN J MCNEAL 08JUN2015	<b>STE</b> TE Connectivity	
DIMENSIONS: mm [INCHES]		CHK R BALTER 08JUN2015		
TOLERANCES UNLESS OTHERWISE SPECIFIED:		APVD R BALTER 08JUN2015	NAME BACKSHELL KIT, 4 POSITION PLUG ASSY, AMPSEAL 16	
0 PLC ±	1 PLC ±	PRODUCT SPEC 108-151043	RESTRICTED TO	
2 PLC ±	3 PLC ±	APPLICATION SPEC -	SIZE A2	CAGE CODE 00779
4 PLC ±	ANGLES ±	WEIGHT <sup>4</sup>	DRAWING NO C-2292799	SCALE 2:1
FINISH -	FINISH -	CUSTOMER DRAWING	SHEET 1 OF 2	REV A2

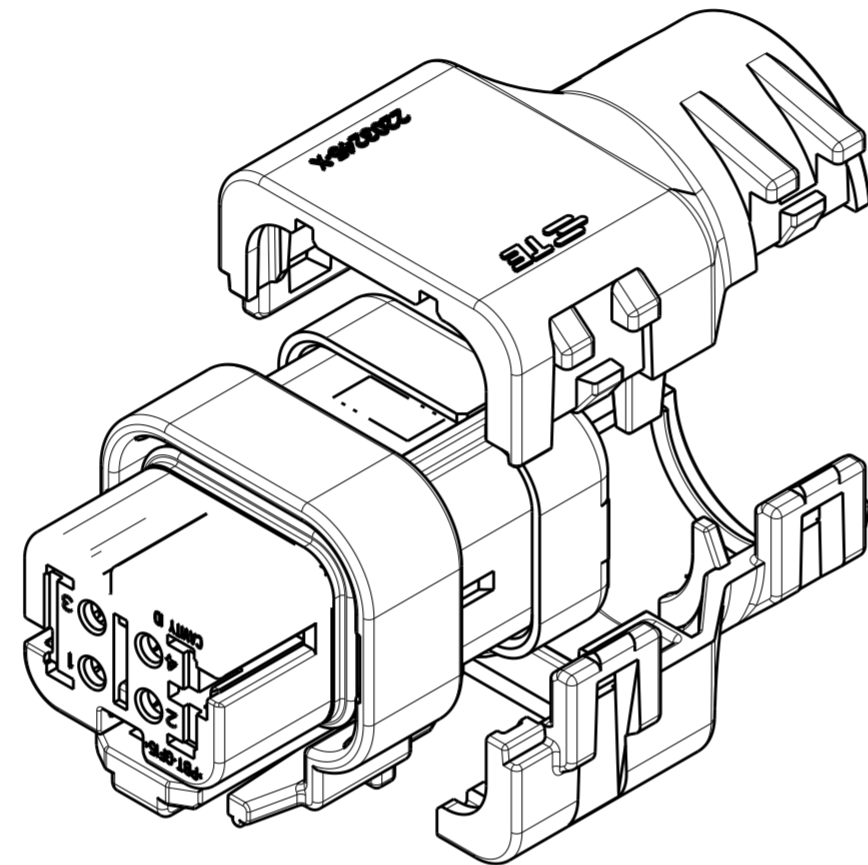
- <sup>1</sup> MATERIAL: NYLON MOLDING COMPOUND, BLACK, PA66/6.
- <sup>2</sup> BACKSHELL DESIGNED SUCH THAT TWO HALVES ATTACH TO ONE ANOTHER AND CLAMP AROUND THE CONNECTOR COVER.
- <sup>3</sup> DIMENSIONS TO BE MEASURED WHEN BACKSHELLS ASSEMBLED.
- <sup>4</sup> PRODUCT WEIGHTS:  
2292799-1: 4.72g ASSEMBLED  
2292799-2: 6.11g ASSEMBLED  
2292799-3: 6.71g ASSEMBLED
- <sup>5</sup> 4mm WIDE SLOTS FOR TIE WRAP TO SECURE HARNESS WIRES (-1 ONLY).
- <sup>6</sup> HEAT SHRINK TUBING RETENTION FEATURE (-1 ONLY).
- 7. INSTRUCTION SHEET: 408-151043.
- 8. CONDUIT PROFILE: NORMAL ONLY.

THIS DRAWING IS UNPUBLISHED. RELEASED FOR PUBLICATION 20  
 © COPYRIGHT 20 BY - ALL RIGHTS RESERVED.

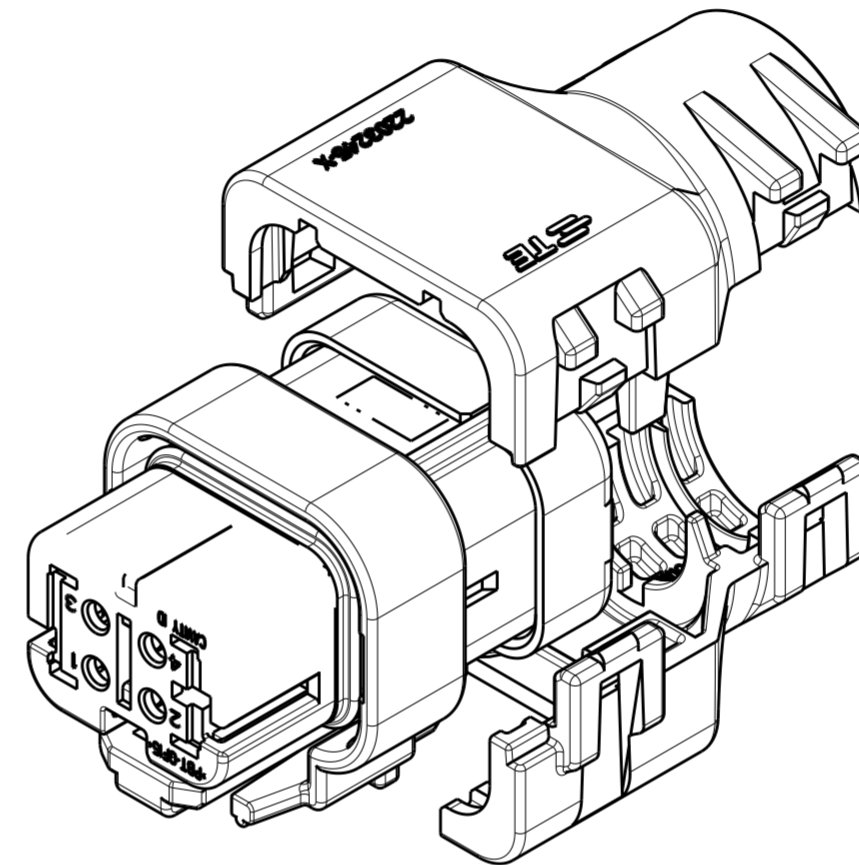
REVISIONS				
P	LTR	DESCRIPTION	DATE	APVD
-		SEE SHEET 1	-	-



2292799-1  
 WITH PLUG ASSEMBLY  
 EXPLODED ISOMETRIC VIEW SHOWN




2292799-2  
 WITH PLUG ASSEMBLY  
 EXPLODED ISOMETRIC VIEW SHOWN



2292799-3  
 WITH PLUG ASSEMBLY  
 EXPLODED ISOMETRIC VIEW SHOWN



THIS DRAWING IS A CONTROLLED DOCUMENT.		DWN J. MCNEAL 08 JUN 2015	 TE Connectivity	NAME BACKSHELL KIT, 4 POSITION PLUG ASSY, AMPSEAL 16
DIMENSIONS: mm [INCHES]		CHK R. BALTER 08 JUN 2015		
TOLERANCES UNLESS OTHERWISE SPECIFIED:		APVD R. BALTER 08 JUN 2015		
0 PLC ± 1 PLC ± 2 PLC ± 3 PLC ± 4 PLC ± ANGLES ± FINISH -		PRODUCT SPEC 108-151043 APPLICATION SPEC - WEIGHT -		
MATERIAL	-	CUSTOMER DRAWING	SIZE A2	CAGE CODE 200779
			DRAWING NO C-2292799	RESTRICTED TO -
			SCALE 2:1	SHEET 2 OF 2
			REV A2	

## X-ON Electronics

Largest Supplier of Electrical and Electronic Components

*Click to view similar products for [Automotive Connectors](#) category:*

*Click to view products by [TE Connectivity](#) manufacturer:*

Other Similar products are found below :

[003-018-000](#) [60403001](#) [60993906-B](#) [M902-2131](#) [M902-2161](#) [72.330.1035.1](#) [73.353.4028.0](#) [F119300-B](#) [F166900](#) [F258300-B](#) [F358300-B](#)  
[F407400](#) [F444110](#) [F487000](#) [F509500B-B](#) [827153-1](#) [8N1515-32-24P](#) [9-1326729-8](#) [925474-1](#) [928905-1](#) [964562-4](#) [968782-1](#) [GT17SA-8DS-](#)  
[HU](#) [98891-1012](#) [98947-1016](#) [12004147](#) [12004475-L](#) [12010290](#) [12010309-B](#) [12015454](#) [12020219-B](#) [12020308](#) [12041318-B](#) [12052225-L](#)  
[12052466](#) [12059125](#) [12064869](#) [12004327-B](#) [12010503-B](#) [12015308](#) [12015384](#) [12015909](#) [1-21030-1](#) [12041254](#) [12041318](#) [12047946-B](#)  
[12047957](#) [12047957-L](#) [12059473](#) [12066261](#)