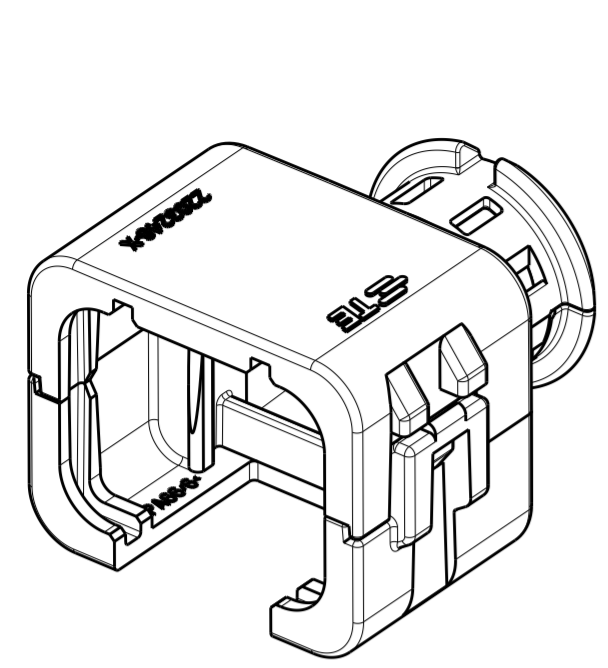
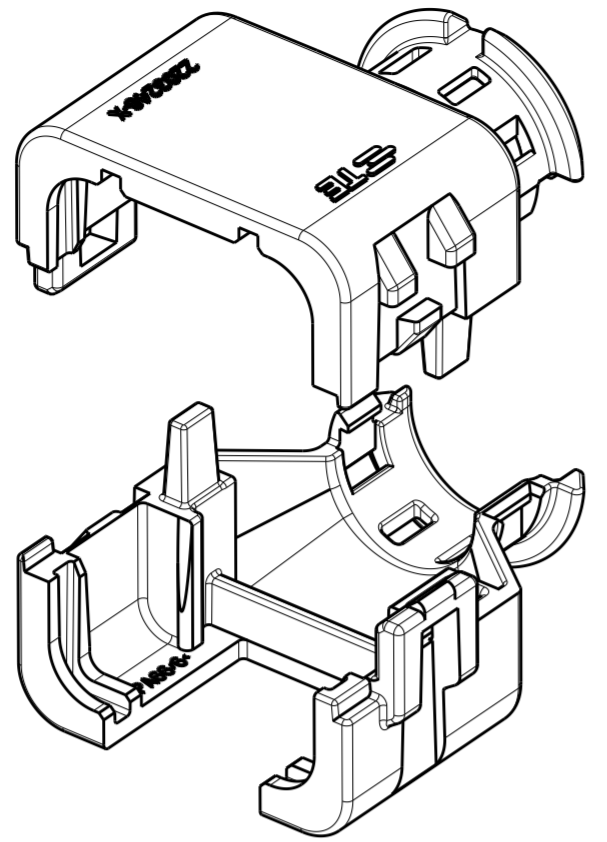


THIS DRAWING IS UNPUBLISHED. RELEASED FOR PUBLICATION 20
 © COPYRIGHT 20 BY - ALL RIGHTS RESERVED.

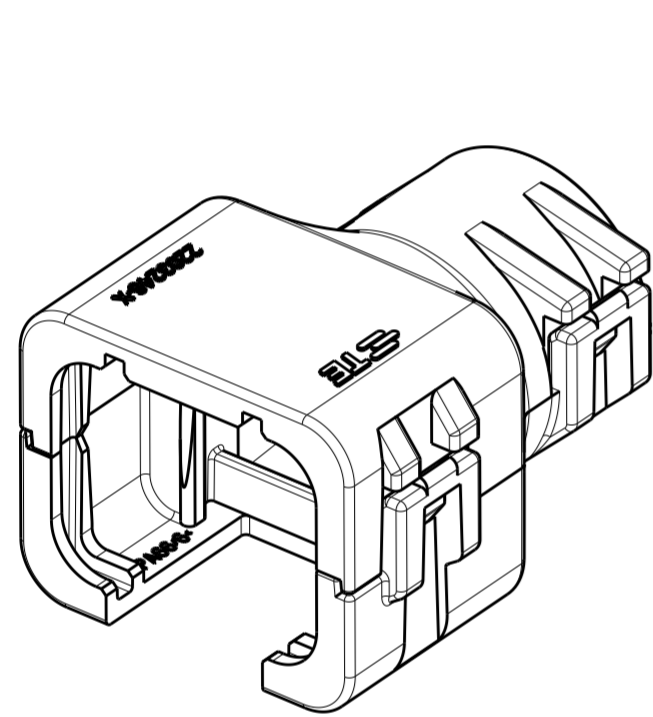
REVISIONS				
P	LTR	DESCRIPTION	DATE	APVD
A		RELEASED PER ECO-15-010501	17JUL2015	JM RB
A1		REV PER ECO-16-008350	02JUN2016	JM RB
A2		REV PER ECO-16-013256	08SEP2016	JM RB



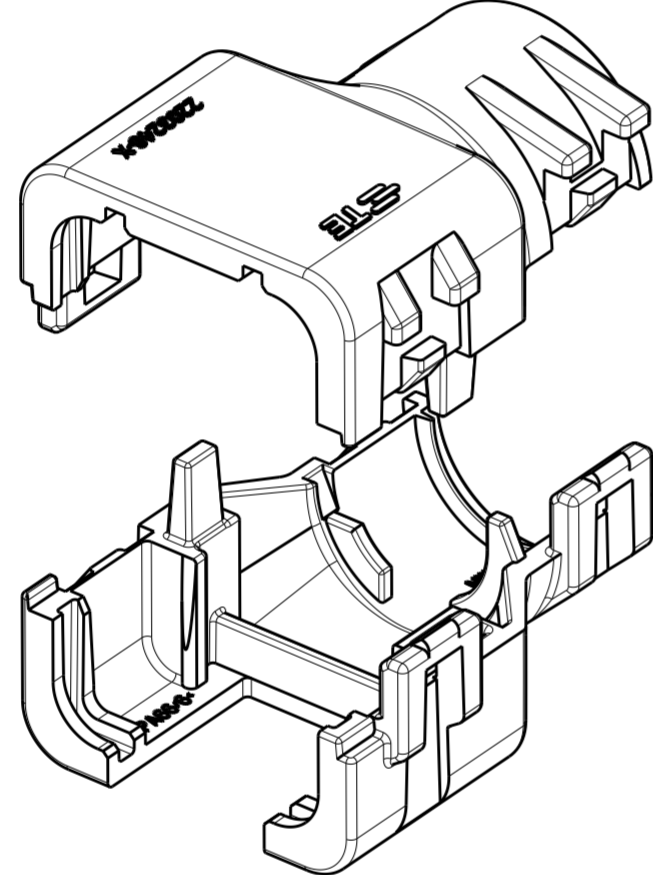
2292800-1
ASSEMBLED ISOMETRIC VIEW SHOWN



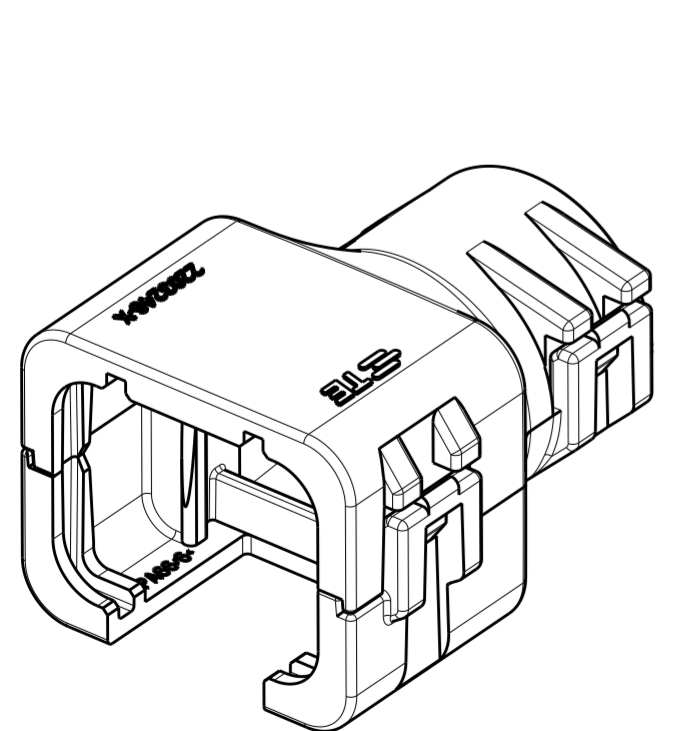
2292800-1
EXPLODED ISOMETRIC VIEW SHOWN



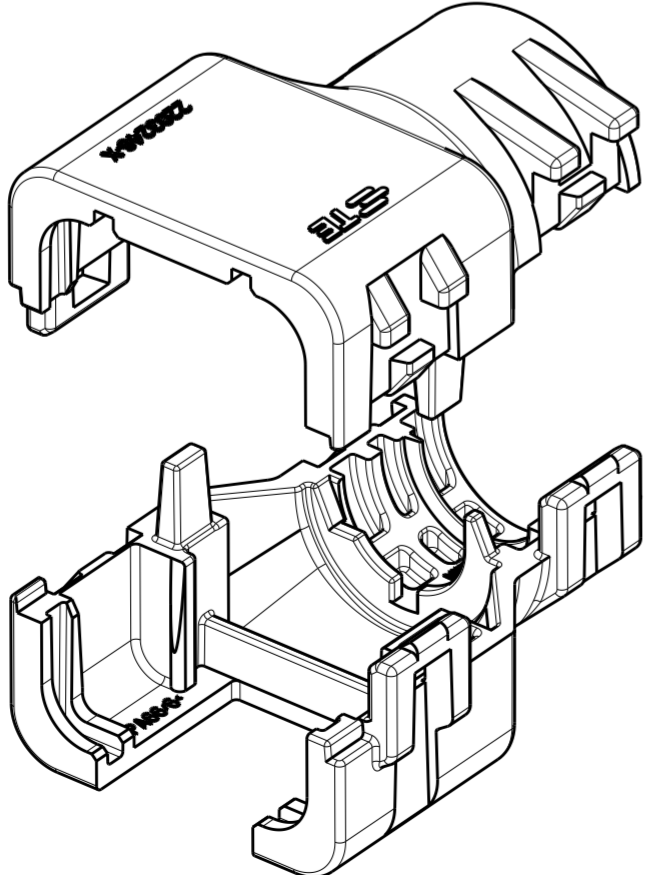
2292800-2
ASSEMBLED ISOMETRIC VIEW SHOWN



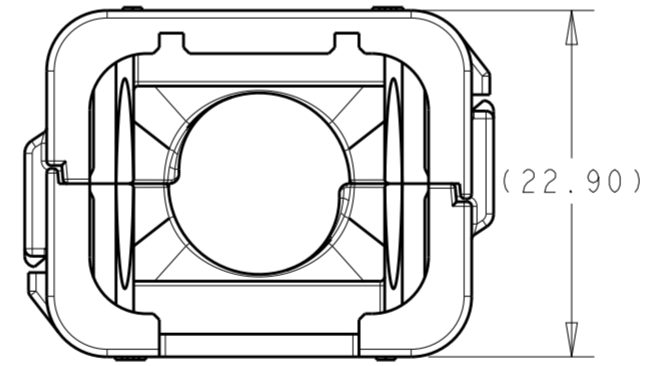
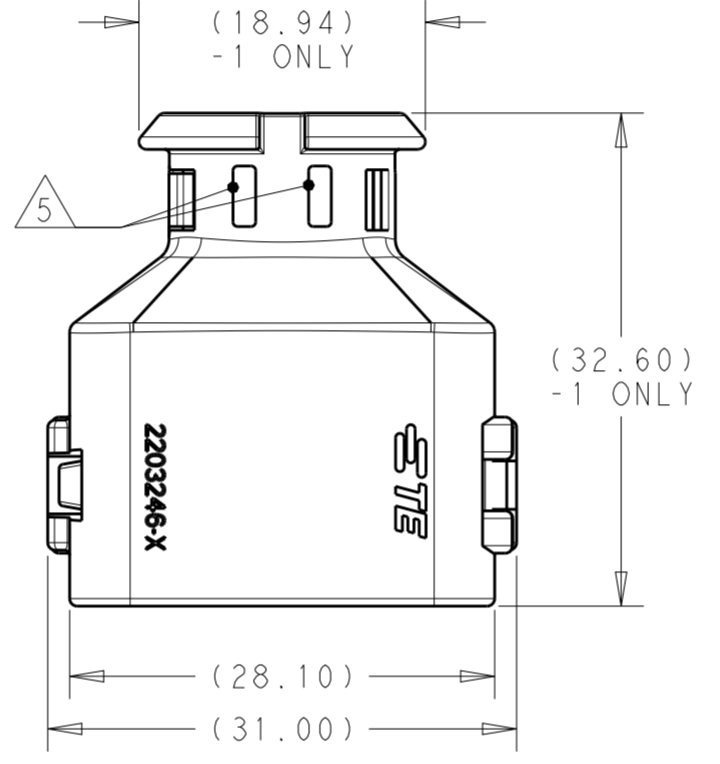
2292800-2
EXPLODED ISOMETRIC VIEW SHOWN



2292800-3
ASSEMBLED ISOMETRIC VIEW SHOWN

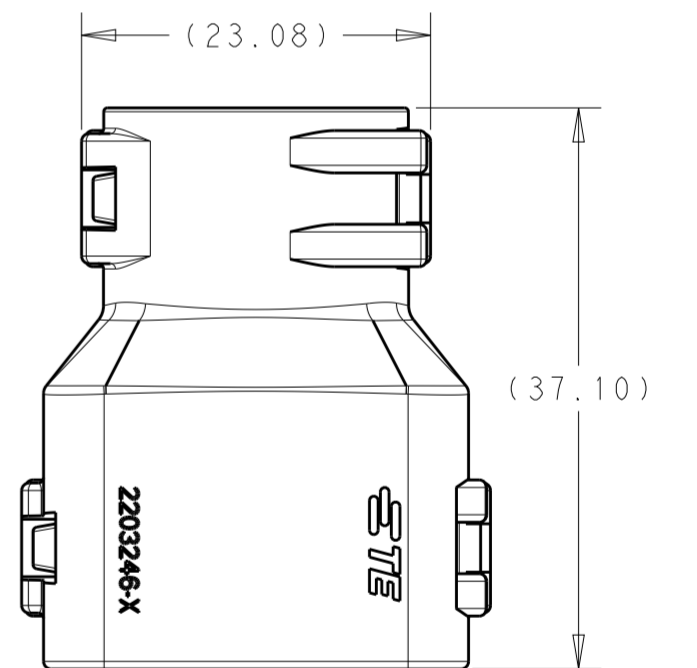
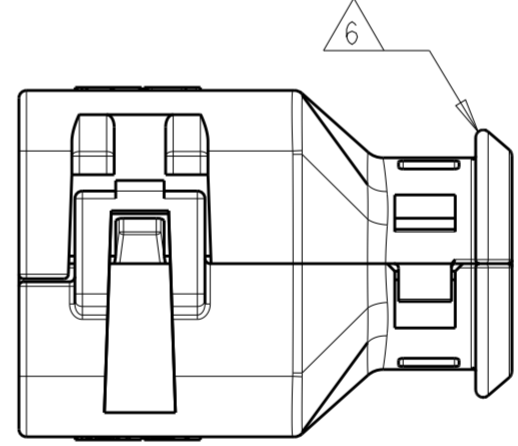


2292800-3
EXPLODED ISOMETRIC VIEW SHOWN



2292800-1
ASSEMBLED VIEW SHOWN

DIMENSIONS SHOWN TYPICAL FOR ALL PART NUMBERS EXCEPT AS NOTED



2292800-2
ASSEMBLED VIEW SHOWN

DIMENSIONS SHOWN TYPICAL FOR -2 AND -3 ONLY



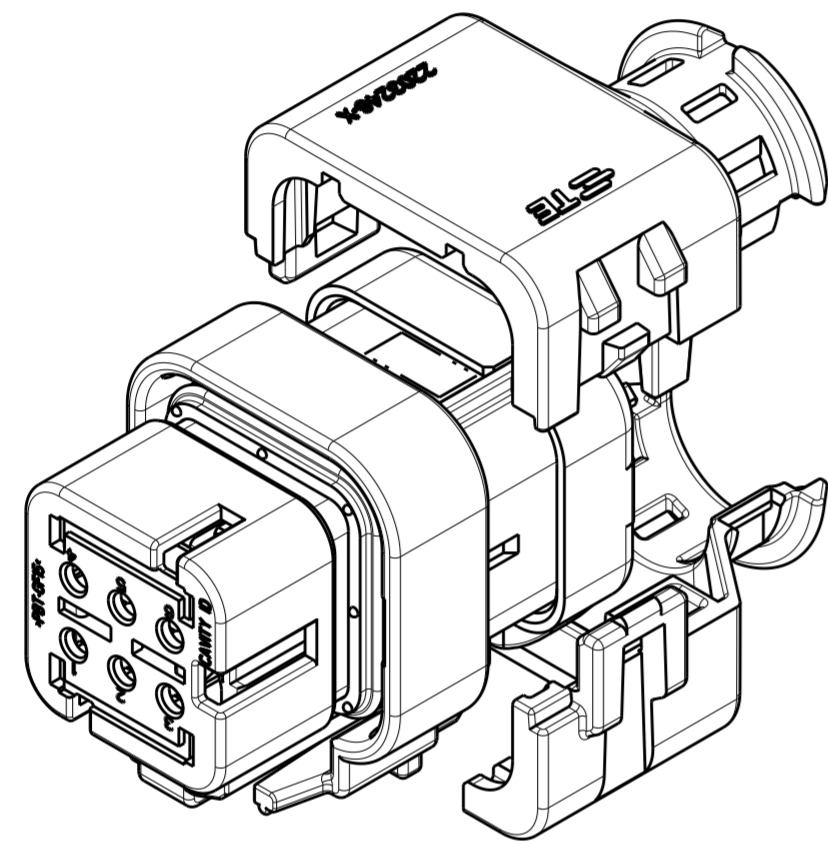
- 1 MATERIAL: NYLON MOLDING COMPOUND, BLACK, PA66/6.
- 2 BACKSHELL DESIGNED SUCH THAT TWO HALVES ATTACH TO ONE ANOTHER AND CLAMP AROUND THE CONNECTOR COVER.
- 3 DIMENSIONS TO BE MEASURED WHEN BACKSHELLS ASSEMBLED.
- 4 PRODUCT WEIGHTS:
 2292800-1: 5.00g ASSEMBLED
 2292800-2: 6.37g ASSEMBLED
 2292800-3: 6.95g ASSEMBLED
- 5 4mm WIDE SLOTS FOR TIE WRAP TO SECURE HARNESS WIRES (-1 ONLY).
- 6 HEAT SHRINK TUBING RETENTION FEATURE (-1 ONLY).
- 7. INSTRUCTION SHEET: 408-151043.
- 8. CONDUIT PROFILE: NORMAL ONLY

776433-X	NC12	NW10	2292800-3
776531-X	NC16	NW13	2292800-2
	SMOOTH	SMOOTH	2292800-1
FITS ON PLUG ASSY	CORREGATE NC	CORREGATE NW	PART NUMBER
	CONDUIT SIZE		

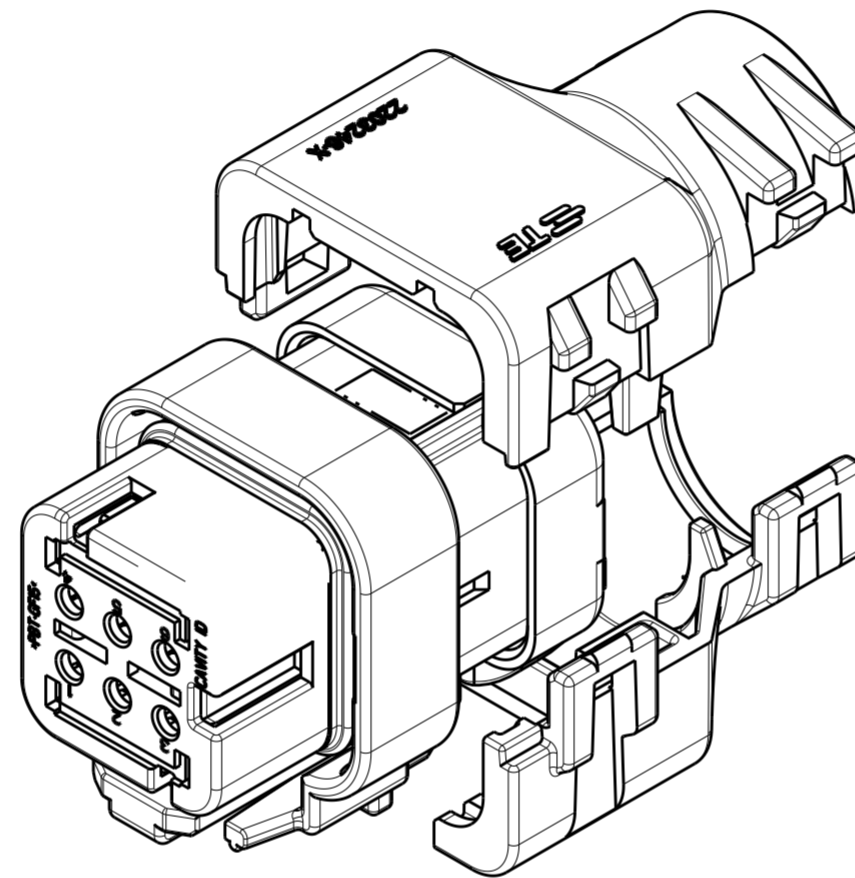
THIS DRAWING IS A CONTROLLED DOCUMENT.		DWN J MCNEAL 07MAY2015	STE TE Connectivity	
DIMENSIONS: mm [INCHES]		CHK R BALTER 07MAY2015		
TOLERANCES UNLESS OTHERWISE SPECIFIED:		APVD R BALTER 07MAY2015	NAME BACKSHELL KIT, 6 POSITION PLUG ASSY, AMPSEAL 16	
0 PLC ±	1 PLC ±	PRODUCT SPEC 108-151043	SIZE	RESTRICTED TO
2 PLC ±	3 PLC ±	APPLICATION SPEC	CAGE CODE	
4 PLC ±	ANGLES ±	WEIGHT	DRAWING NO	
FINISH		A2 00779	SCALE 2:1	SHEET 1 OF 2
MATERIAL		CUSTOMER DRAWING	REV A2	

THIS DRAWING IS UNPUBLISHED. RELEASED FOR PUBLICATION 20
 © COPYRIGHT 20 BY - ALL RIGHTS RESERVED.

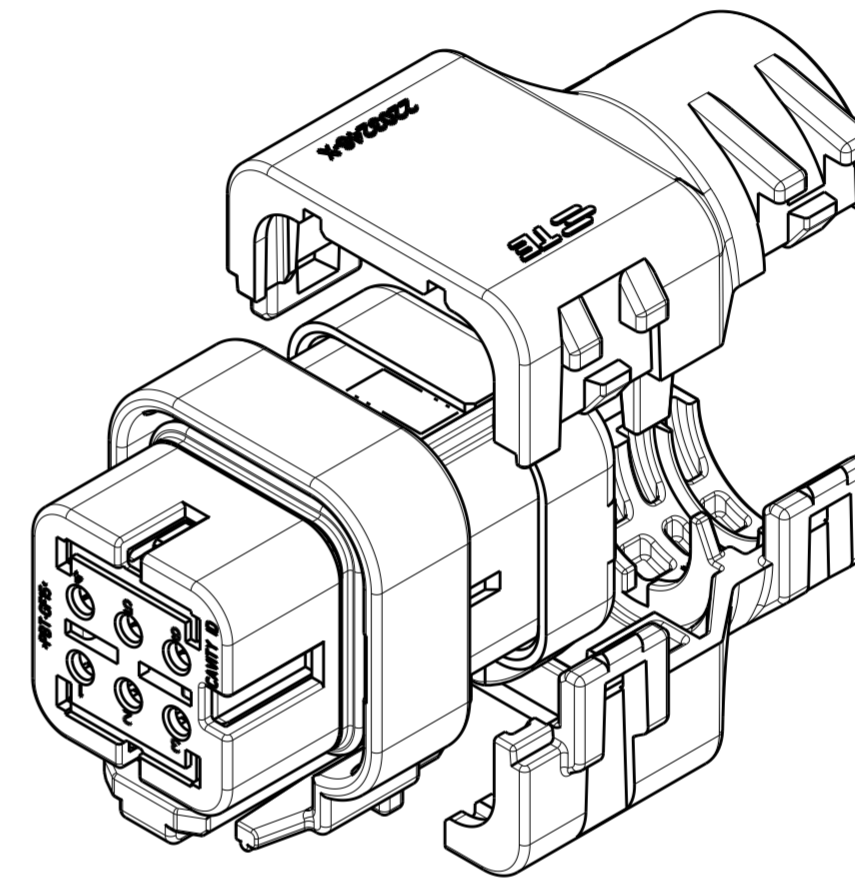
REVISIONS				
P	LTR	DESCRIPTION	DATE	APVD
-		SEE SHEET 1	-	-



2292800-1
WITH PLUG ASSEMBLY
EXPLODED ISOMETRIC VIEW SHOWN


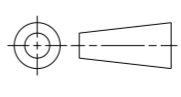


2292800-2
WITH PLUG ASSEMBLY
EXPLODED ISOMETRIC VIEW SHOWN



2292800-3
WITH PLUG ASSEMBLY
EXPLODED ISOMETRIC VIEW SHOWN



THIS DRAWING IS A CONTROLLED DOCUMENT.		DWN J. MCNEAL 07MAY2015	 TE Connectivity	
DIMENSIONS: mm [INCHES]		CHK R. BALTER 07MAY2015		
TOLERANCES UNLESS OTHERWISE SPECIFIED:		APVD R. BALTER 07MAY2015	NAME BACKSHELL KIT, 6 POSITION PLUG ASSY, AMPSEAL 16	
		PRODUCT SPEC 108-151043	RESTRICTED TO	
MATERIAL		APPLICATION SPEC	SIZE A200779	CAGE CODE C-2292800
FINISH		WEIGHT	SCALE 2:1	SHEET 2 OF 2
		CUSTOMER DRAWING	REV A2	

X-ON Electronics

Largest Supplier of Electrical and Electronic Components

Click to view similar products for [Automotive Connectors](#) category:

Click to view products by [TE Connectivity](#) manufacturer:

Other Similar products are found below :

[003-018-000](#) [60403001](#) [60993906-B](#) [M902-2131](#) [M902-2161](#) [M902-2344](#) [72.330.1035.1](#) [73.353.4028.0](#) [F119300-B](#) [F166900](#) [F258300-B](#)
[F358300-B](#) [F407400](#) [F444110](#) [F487000](#) [F509500B-B](#) [827153-1](#) [8N1515-32-24P](#) [9-1326729-8](#) [925474-1](#) [928905-1](#) [964562-4](#) [968782-1](#)
[GT17SA-8DS-HU](#) [98891-1012](#) [98947-1016](#) [12004147](#) [12004475-L](#) [12010290](#) [12010309-B](#) [12015454](#) [12020219-B](#) [12041318-B](#) [12052225-](#)
[L](#) [12052466](#) [12064869](#) [12004327-B](#) [12015308](#) [12015384](#) [12015909](#) [1-21030-1](#) [12041254](#) [12041318](#) [12047946-B](#) [12047957](#) [12047957-L](#)
[12059473](#) [12066261](#) [12110546](#) [12110546-B](#)