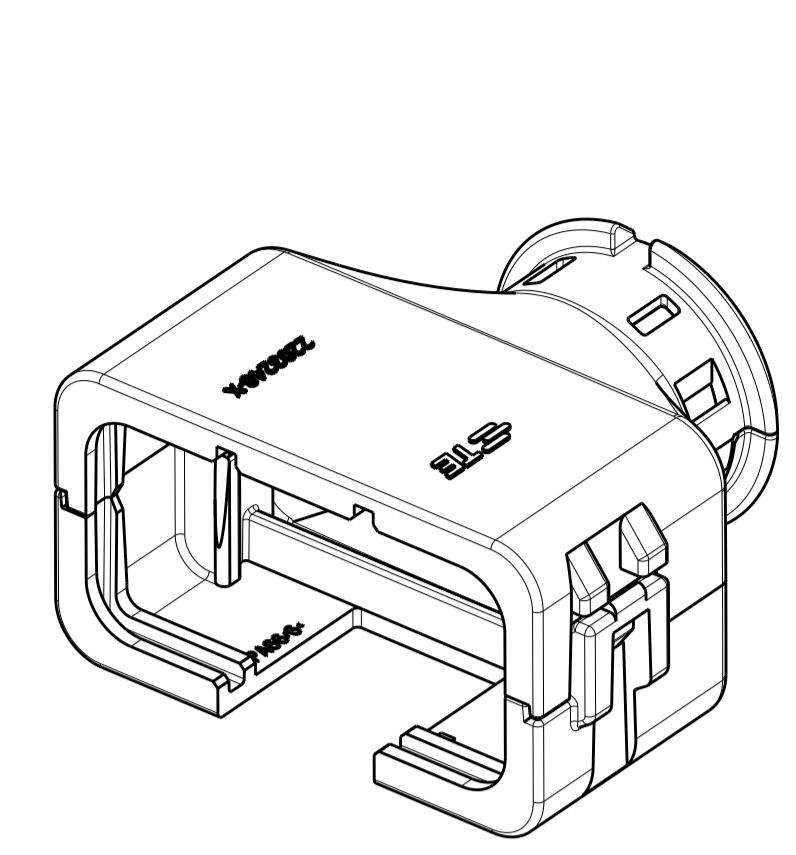
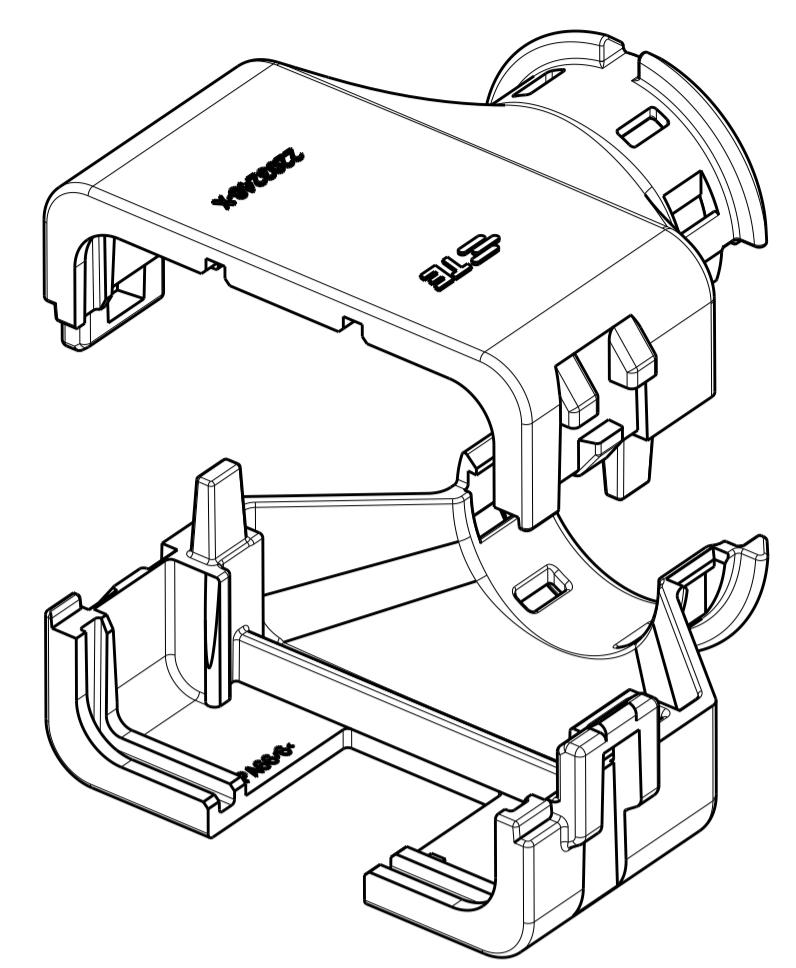


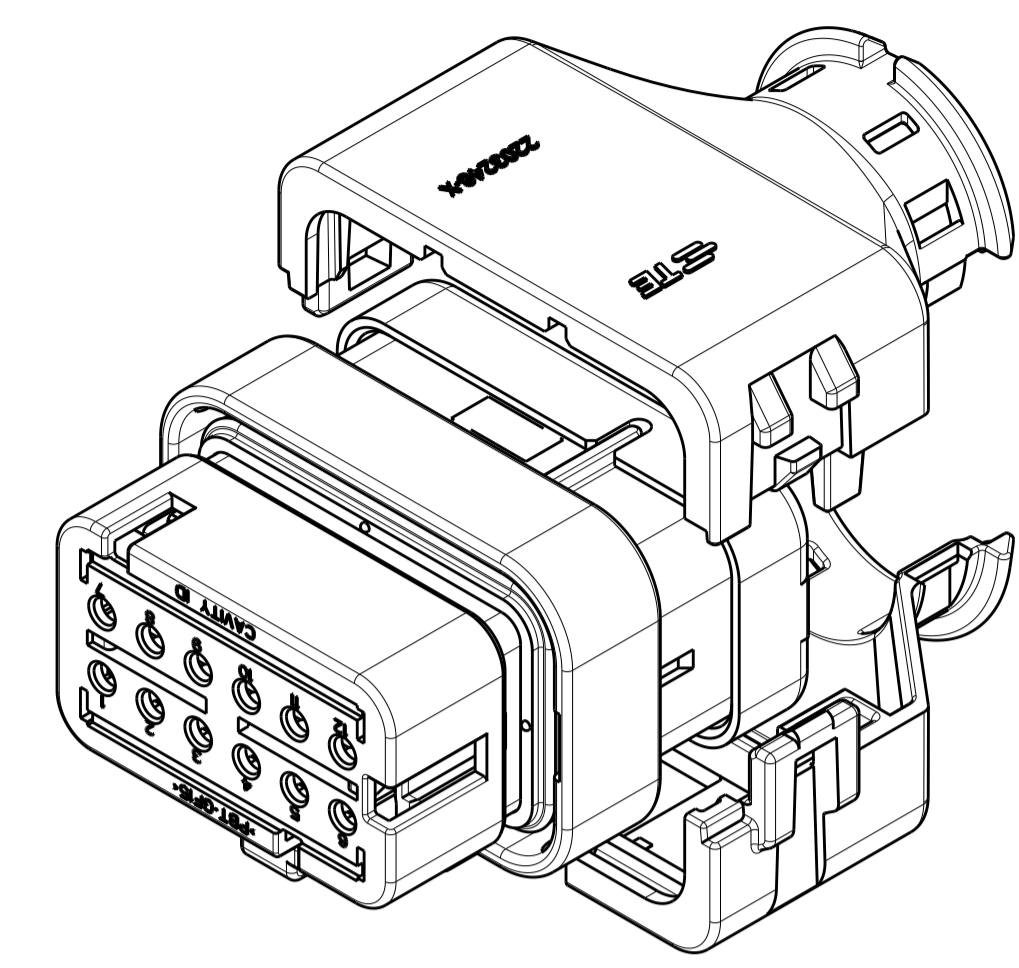
REVISIONS				
P.	LTN	DESCRIPTION	DATE	APVD
A		RELEASED PER ECO-15-010501	17JUL2015	JM RB
A1		REV PER ECO-16-008350	02JUN2016	JM RB
A2		REV PER ECO-16-013256	08SEP2016	JM RB



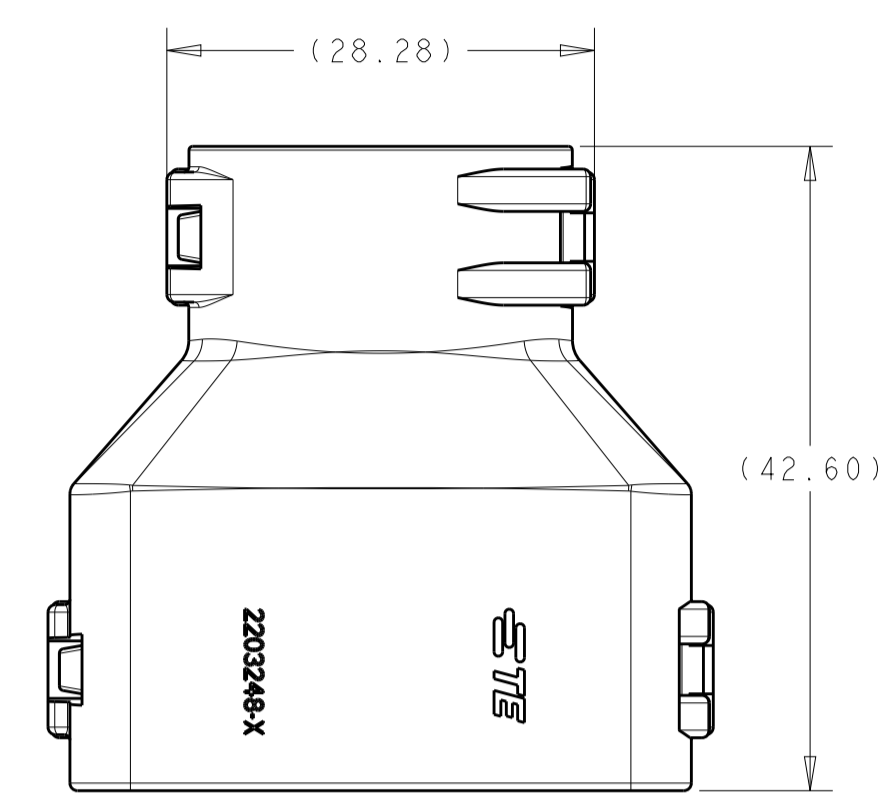
2292802-1  
ASSEMBLED ISOMETRIC VIEW SHOWN



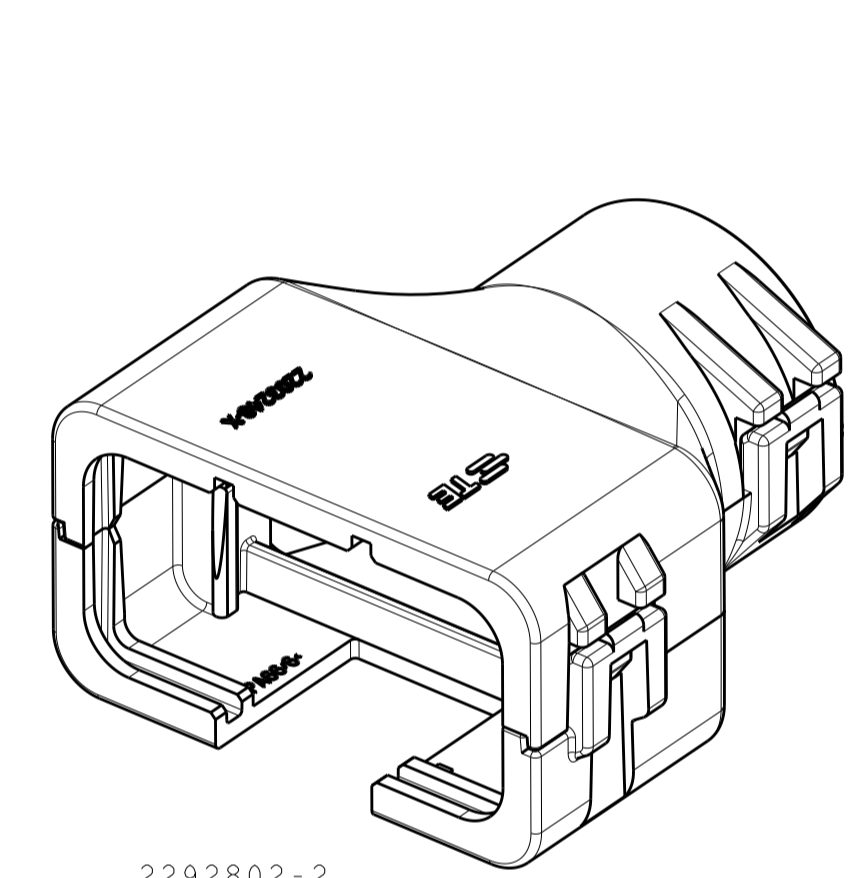
2292802-1  
EXPLODED ISOMETRIC VIEW SHOWN



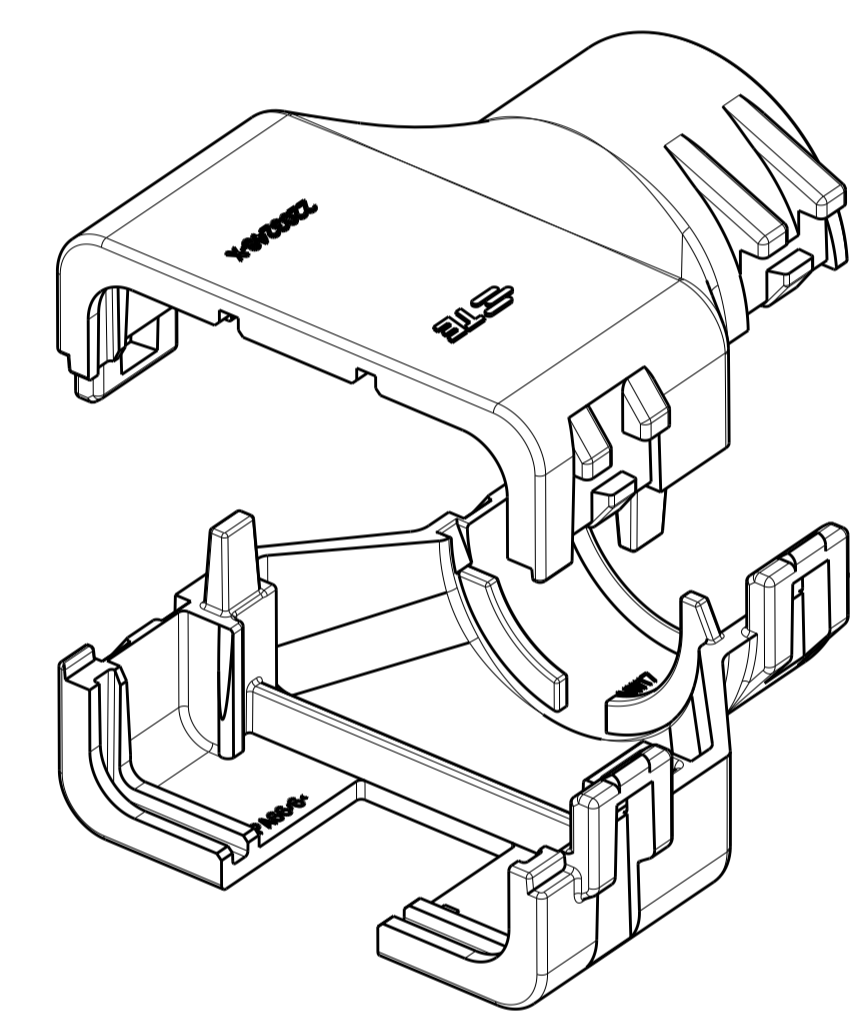
2292802-1  
WITH PLUG ASSEMBLY  
EXPLODED ISOMETRIC VIEW SHOWN



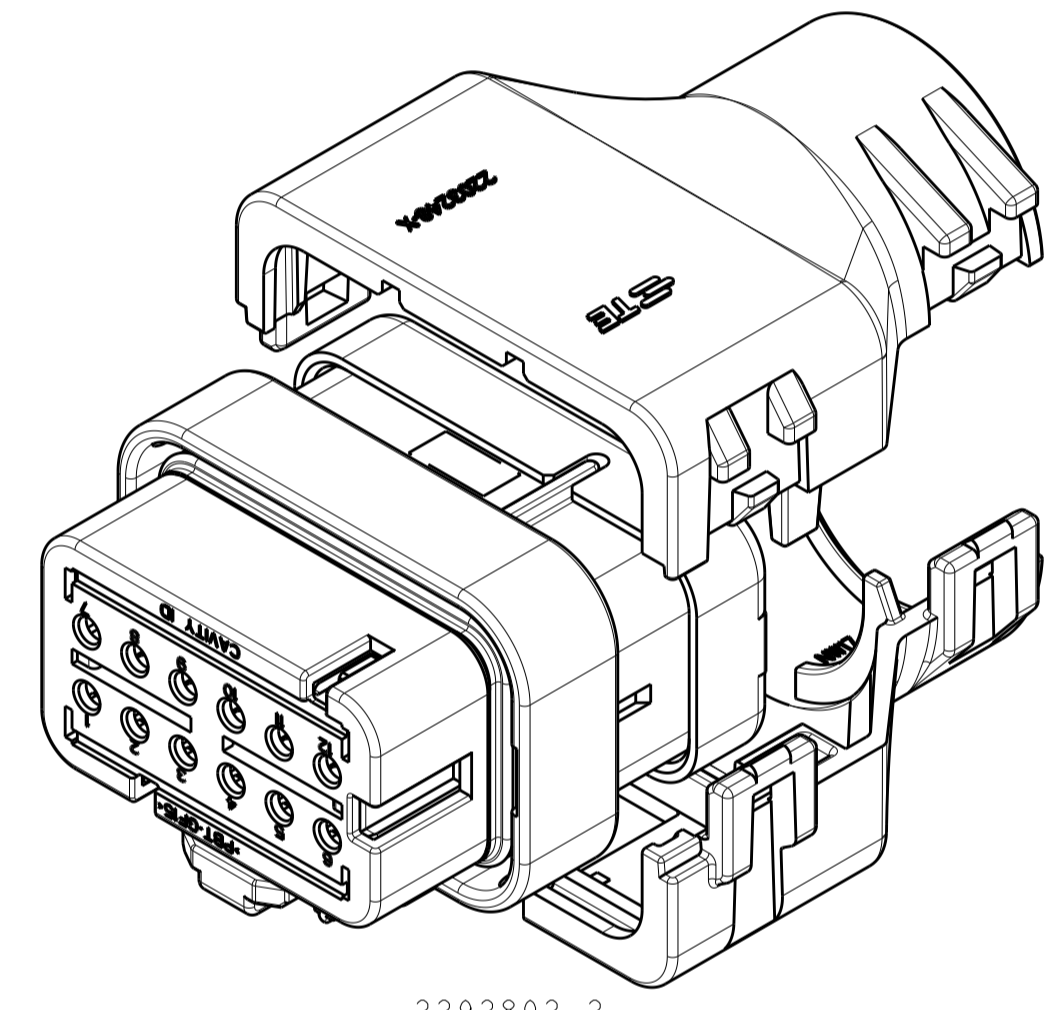
2292802-2  
ASSEMBLED VIEW SHOWN  
DIMENSIONS SHOWN TYPICAL FOR -2 AND -3 ONLY



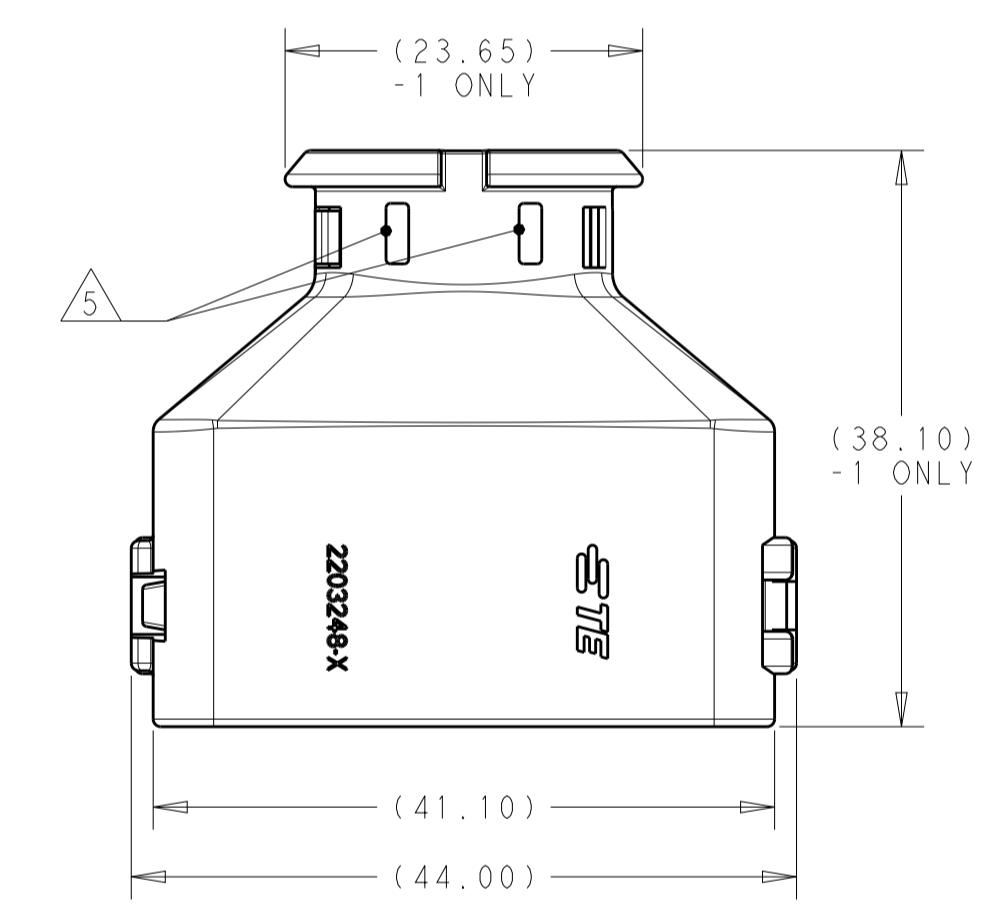
2292802-2  
ASSEMBLED ISOMETRIC VIEW SHOWN



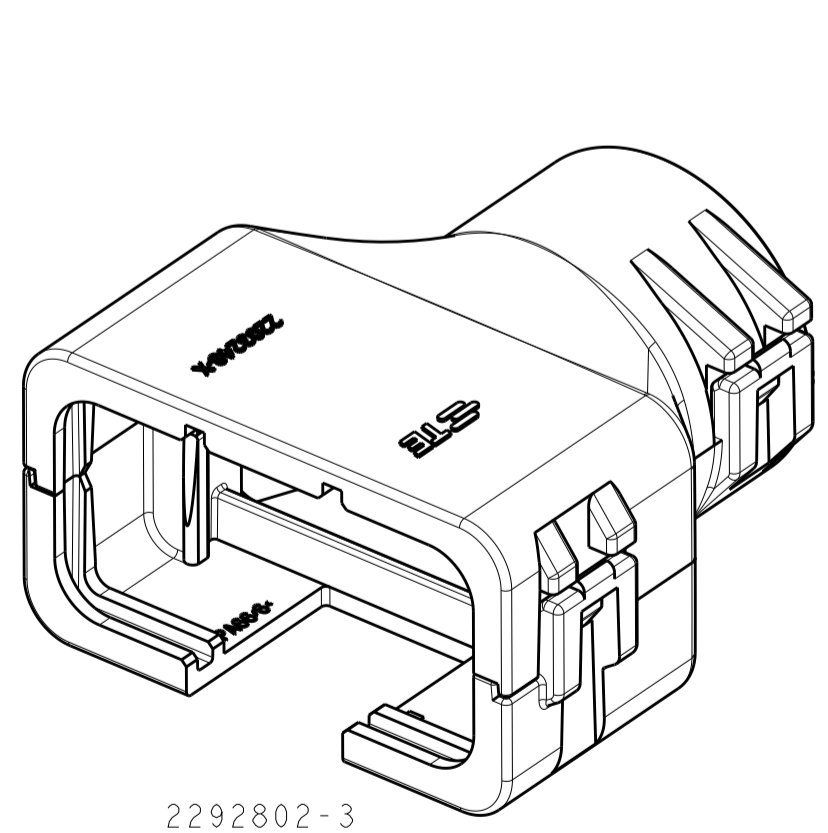
2292802-2  
EXPLODED ISOMETRIC VIEW SHOWN



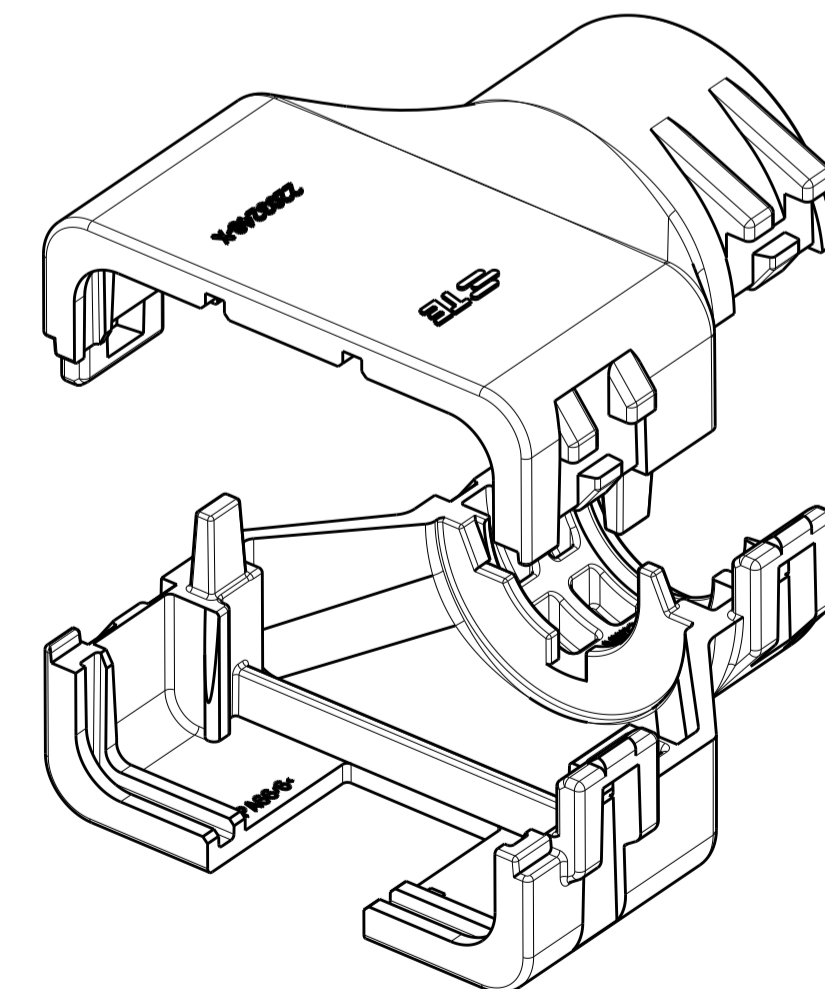
2292802-2  
WITH PLUG ASSEMBLY  
EXPLODED ISOMETRIC VIEW SHOWN



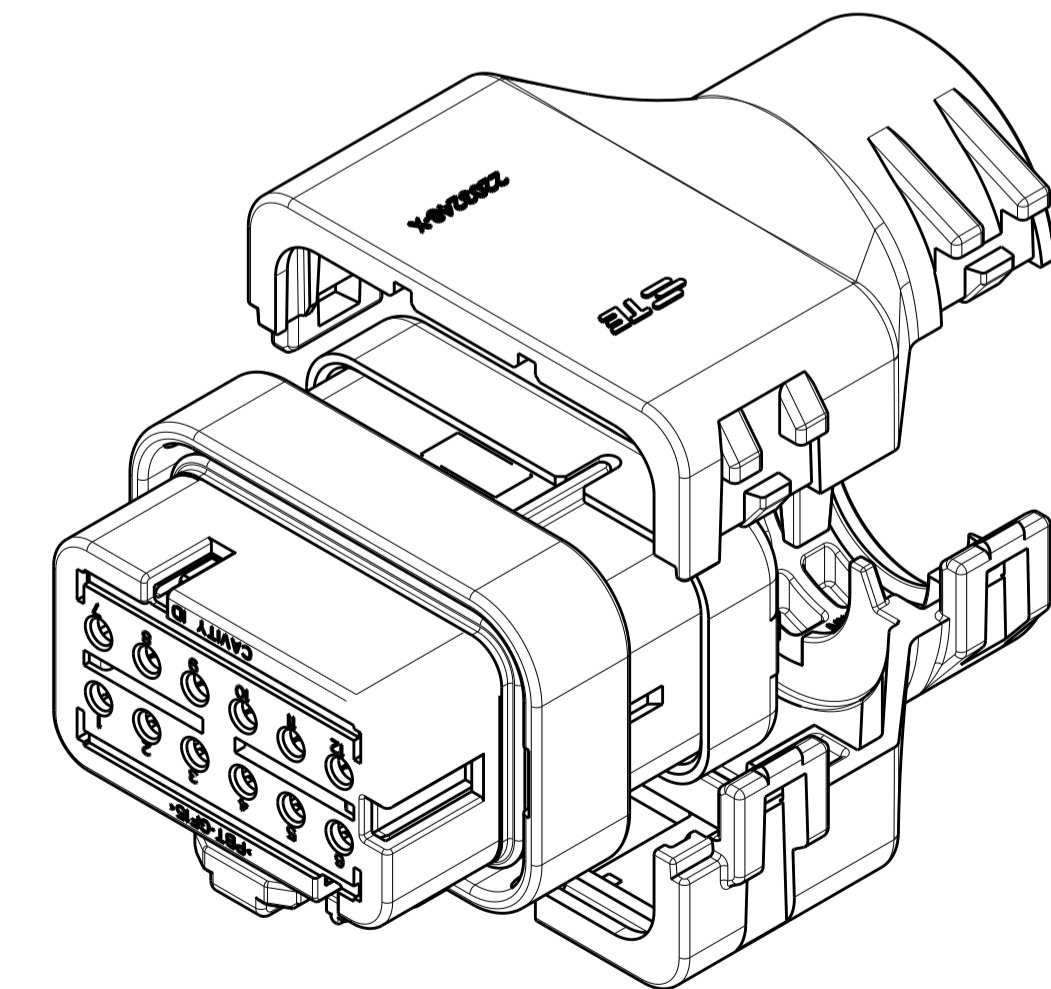
2292802-1  
ASSEMBLED VIEW SHOWN  
DIMENSIONS SHOWN TYPICAL FOR ALL PART NUMBERS  
EXCEPT AS NOTED



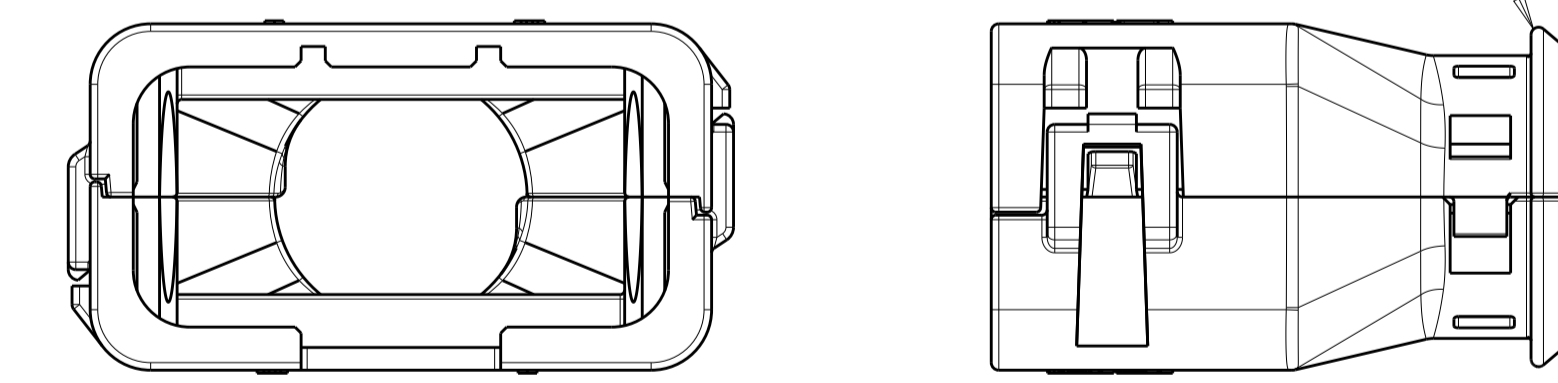
2292802-3  
ASSEMBLED ISOMETRIC VIEW SHOWN



2292802-3  
EXPLODED ISOMETRIC VIEW SHOWN



2292802-3  
WITH PLUG ASSEMBLY  
EXPLODED ISOMETRIC VIEW SHOWN



- 1 MATERIAL: NYLON MOLDING COMPOUND, BLACK, PA66/6.
- 2 BACKSHELL DESIGNED SUCH THAT TWO HALVES ATTACH TO ONE ANOTHER AND CLAMP AROUND THE CONNECTOR COVER.
- 3 DIMENSIONS TO BE MEASURED WHEN BACKSHELLS ASSEMBLED.
- 4 PRODUCT WEIGHTS:  
2292802-1: 7.23g ASSEMBLED  
2292802-2: 9.06g ASSEMBLED  
2292802-3: 10.36g ASSEMBLED
- 5 4mm WIDE SLOTS FOR TIE WRAP TO SECURE HARNESS WIRES (-1 ONLY).
- 6 HEAT SHRINK TUBING RETENTION FEATURE (-1 ONLY).
- 7. INSTRUCTION SHEET: 408-151043.
- 8. CONDUIT PROFILE: NORMAL ONLY.

FITS ON PLUG ASSY	CORREGATE NC	CORREGATE NW	PART NUMBER
NC16	NW13		2292802-3
NC20	NW17		2292802-2
SMOOTH	SMOOTH		2292802-1

THIS DRAWING IS A CONTROLLED DOCUMENT.

APVD: J. MCNEAL 22JUN2015  
 CHK: R. BALTER 22JUN2015

NAME: BACKSHELL KIT, 12 POSITION PLUG ASSY AMPSEAL 16

PRODUCT SPEC: 108-151043

APPLICATION SPEC:

SIZE: CAGE CODE DRAWING NO: A100779C=2292802

RESTRICTED TO:

SCALE: 2:1 SHEET 1 OF 1 REV: A2

## X-ON Electronics

Largest Supplier of Electrical and Electronic Components

*Click to view similar products for [Automotive Connectors](#) category:*

*Click to view products by [TE Connectivity](#) manufacturer:*

Other Similar products are found below :

[003-018-000](#) [60403001](#) [60993906-B](#) [M902-2131](#) [M902-2161](#) [M902-2344](#) [72.330.1035.1](#) [73.353.4028.0](#) [F119300-B](#) [F166900](#) [F258300-B](#)  
[F358300-B](#) [F407400](#) [F444110](#) [F487000](#) [F509500B-B](#) [827153-1](#) [8N1515-32-24P](#) [9-1326729-8](#) [925474-1](#) [928905-1](#) [964562-4](#) [968782-1](#)  
[GT17SA-8DS-HU](#) [98891-1012](#) [98947-1016](#) [12004147](#) [12004475-L](#) [12010290](#) [12010309-B](#) [12015454](#) [12020219-B](#) [12041318-B](#) [12052225-](#)  
[L](#) [12052466](#) [12064869](#) [12004327-B](#) [12015308](#) [12015384](#) [12015909](#) [1-21030-1](#) [12041254](#) [12041318](#) [12047946-B](#) [12047957](#) [12047957-L](#)  
[12059473](#) [12066261](#) [12110546](#) [12110546-B](#)