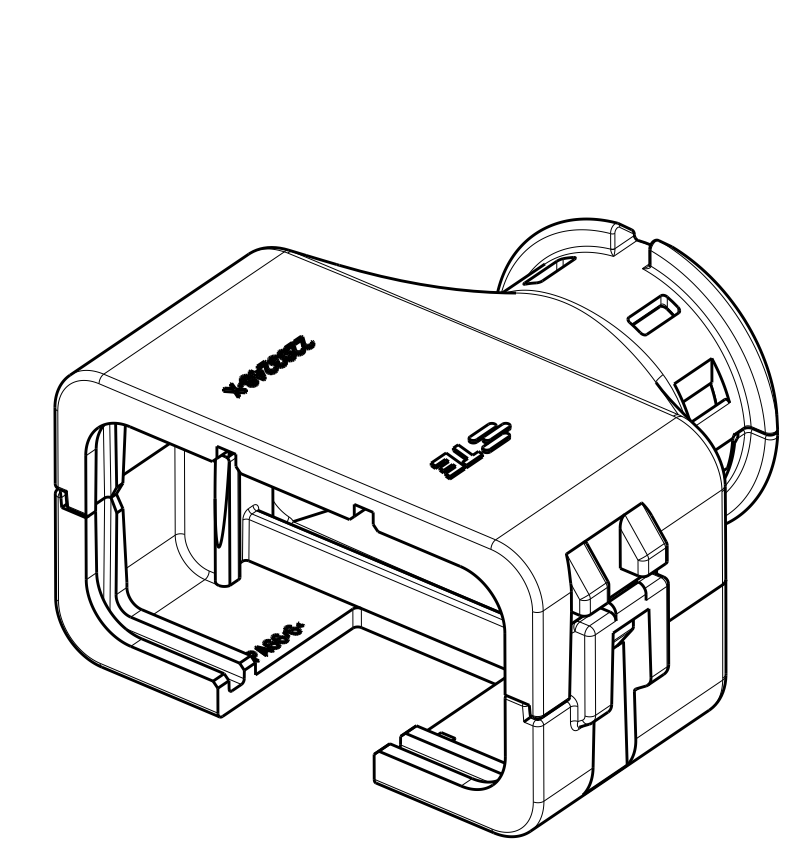
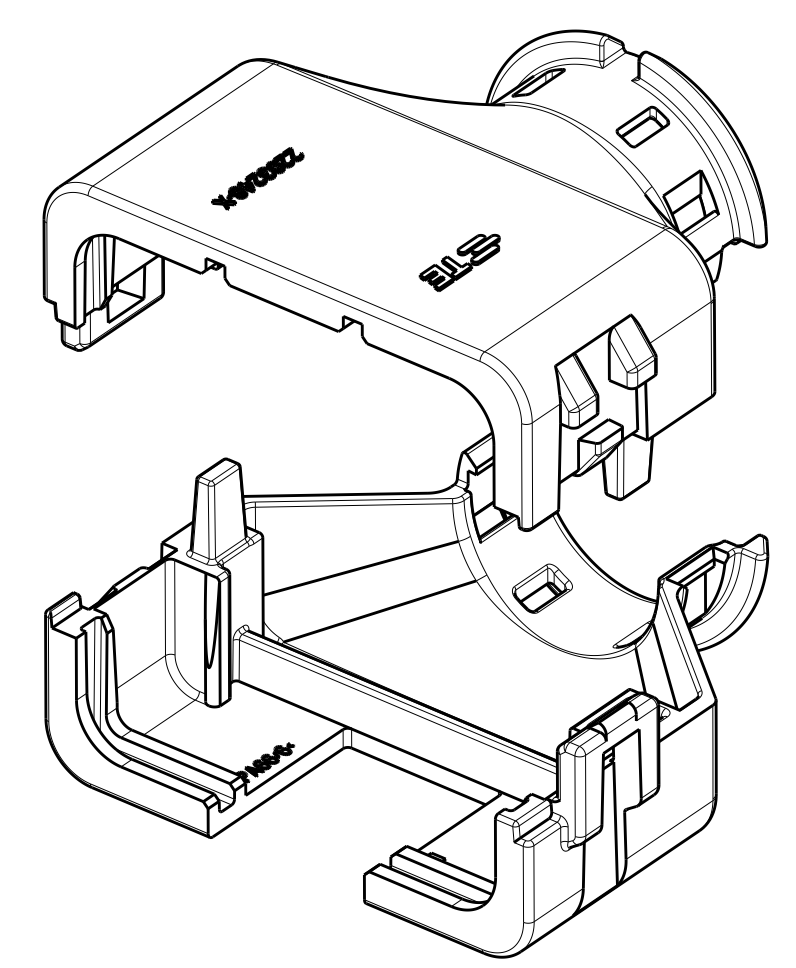


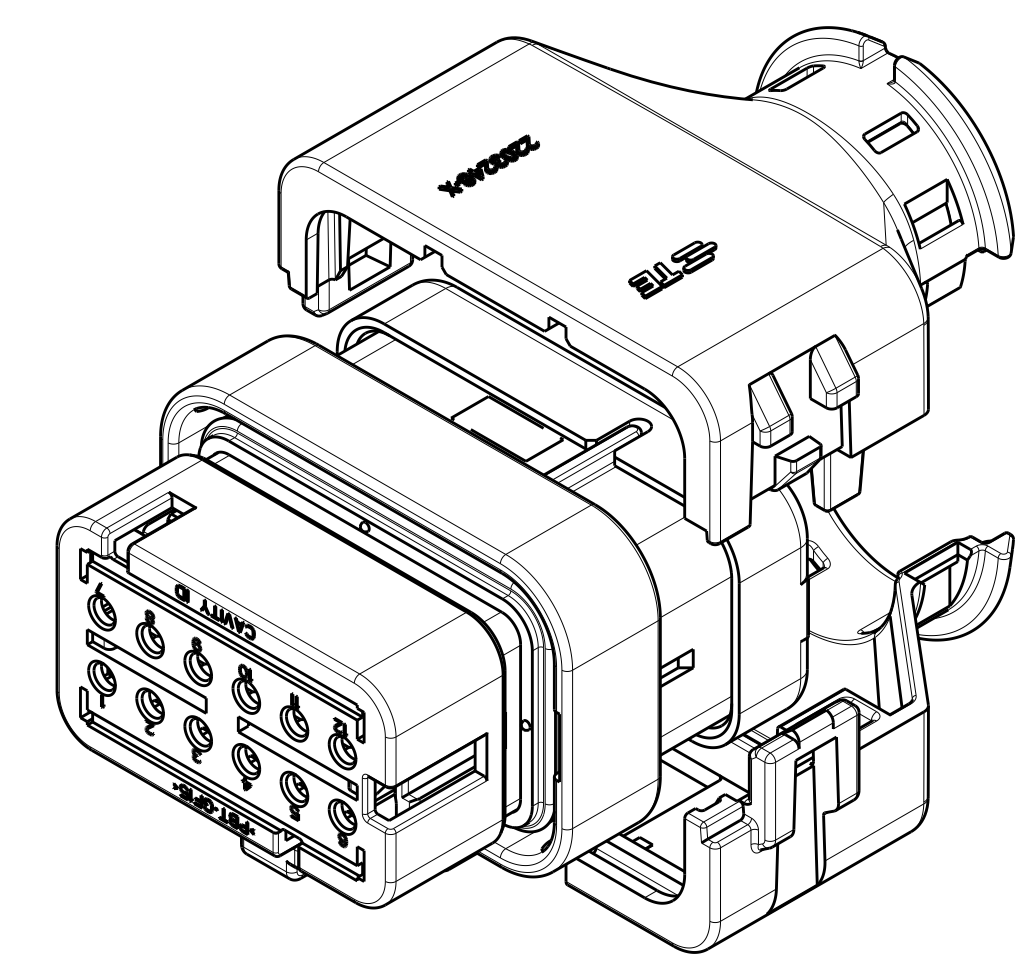
REVISIONS				
P	LTN	DESCRIPTION	DATE	APVD
A		RELEASED PER ECO-15-010501	17JUL2015	JM RB
A1		REV PER ECO-16-008350	02JUN2016	JM RB
A2		REV PER ECO-16-013256	08SEP2016	JM RB



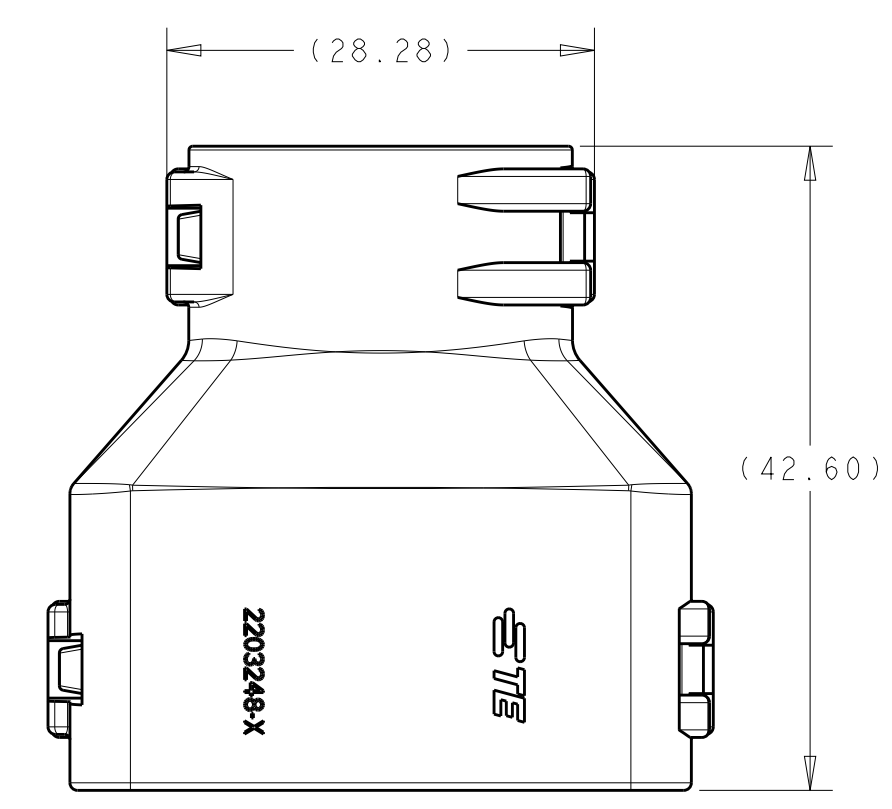
2292802-1
ASSEMBLED ISOMETRIC VIEW SHOWN



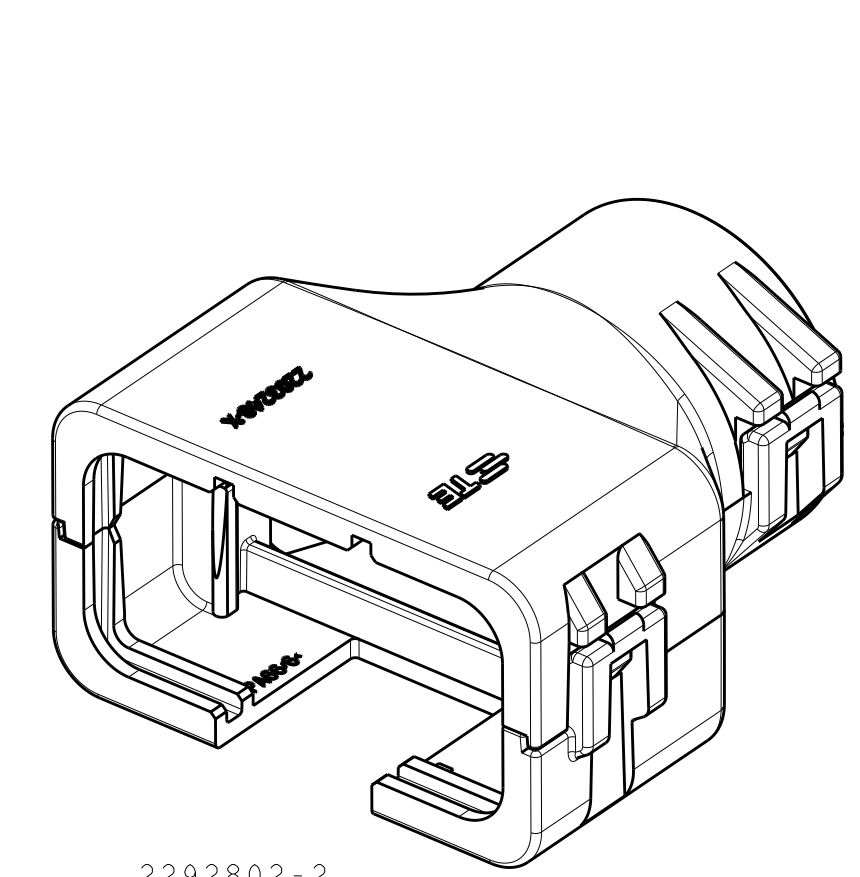
2292802-1
EXPLODED ISOMETRIC VIEW SHOWN



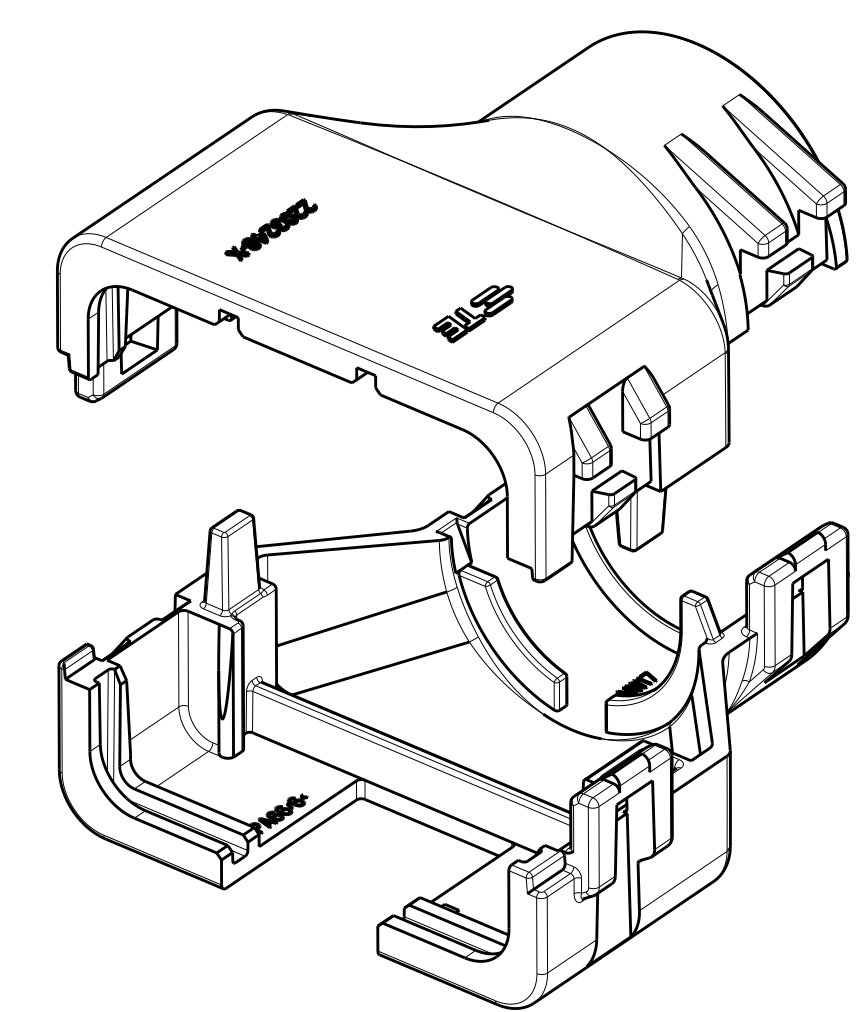
2292802-1
WITH PLUG ASSEMBLY
EXPLODED ISOMETRIC VIEW SHOWN



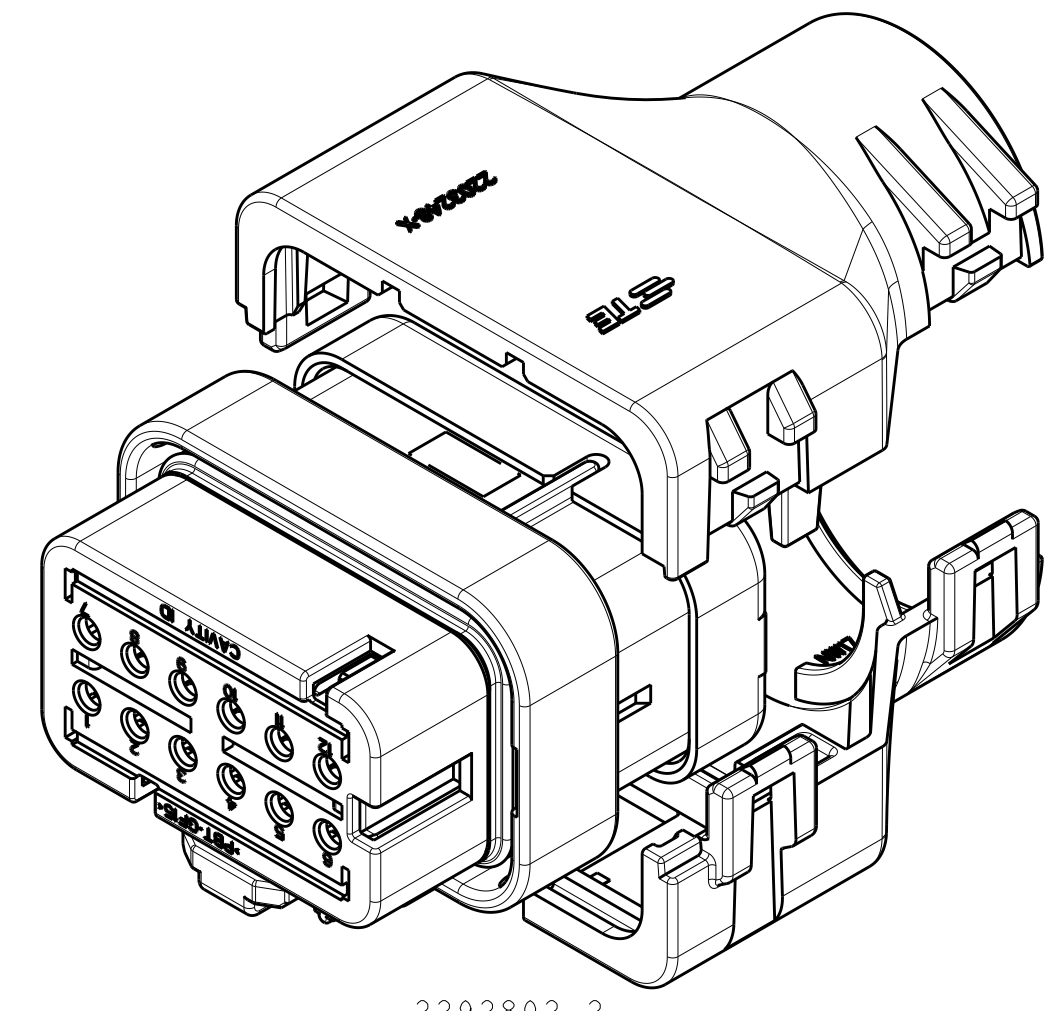
2292802-2
ASSEMBLED VIEW SHOWN
DIMENSIONS SHOWN TYPICAL FOR -2 AND -3 ONLY



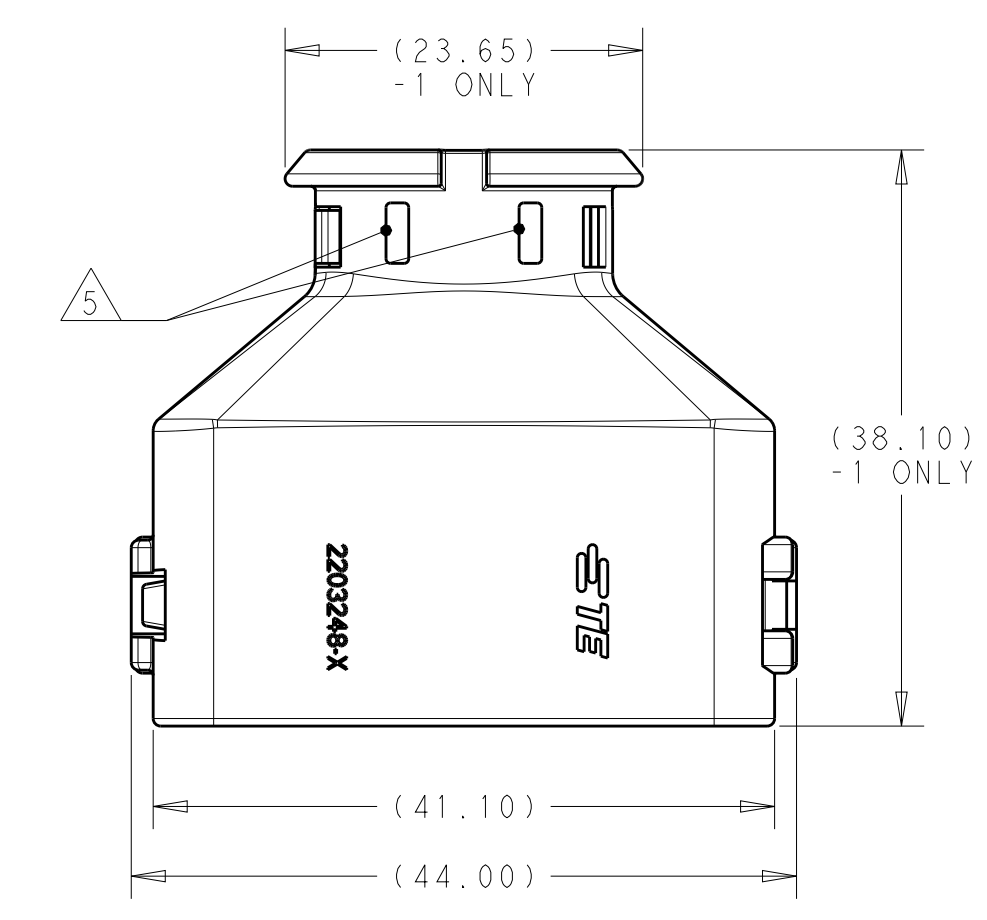
2292802-2
ASSEMBLED ISOMETRIC VIEW SHOWN



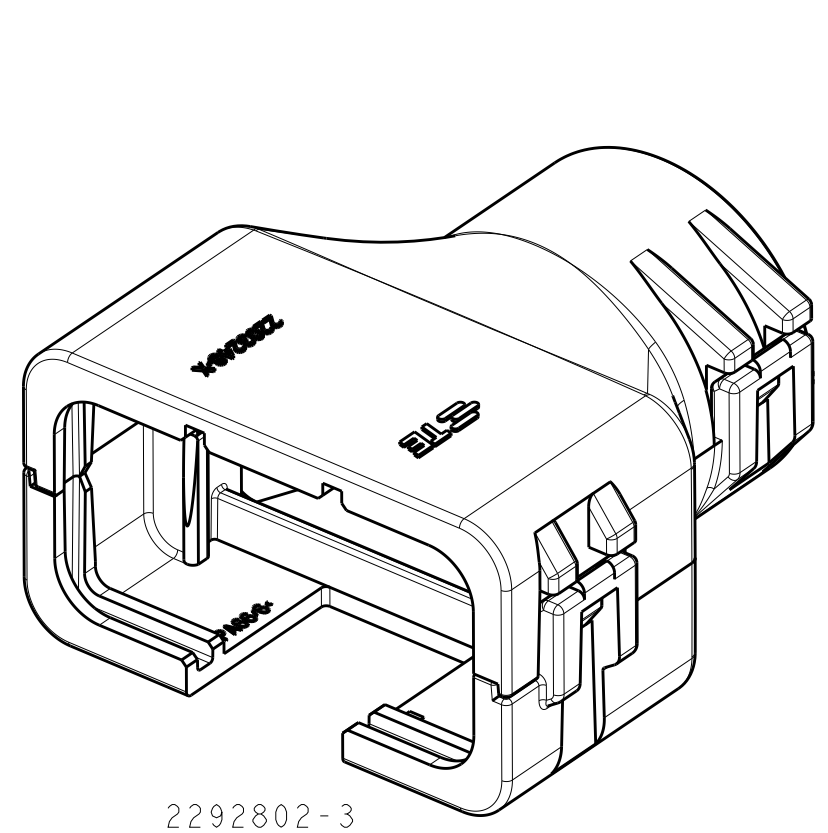
2292802-2
EXPLODED ISOMETRIC VIEW SHOWN



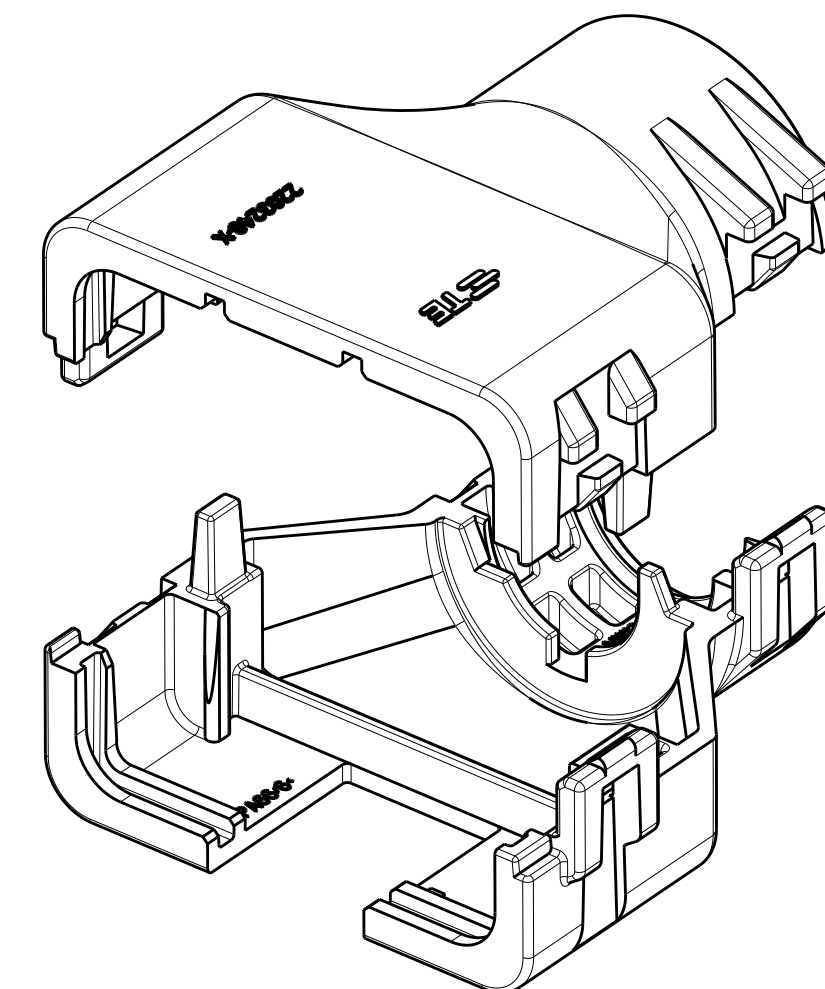
2292802-2
WITH PLUG ASSEMBLY
EXPLODED ISOMETRIC VIEW SHOWN



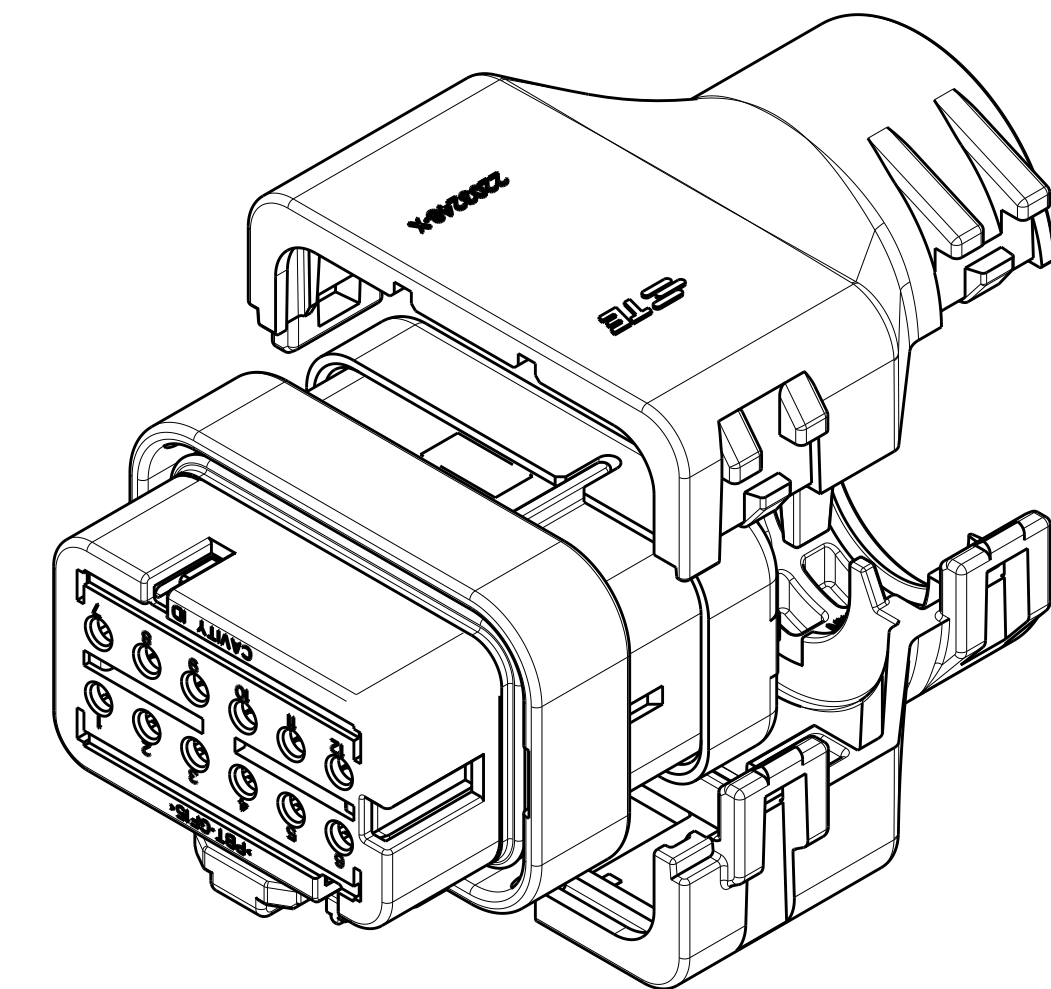
2292802-1
ASSEMBLED VIEW SHOWN
DIMENSIONS SHOWN TYPICAL FOR ALL PART NUMBERS
EXCEPT AS NOTED



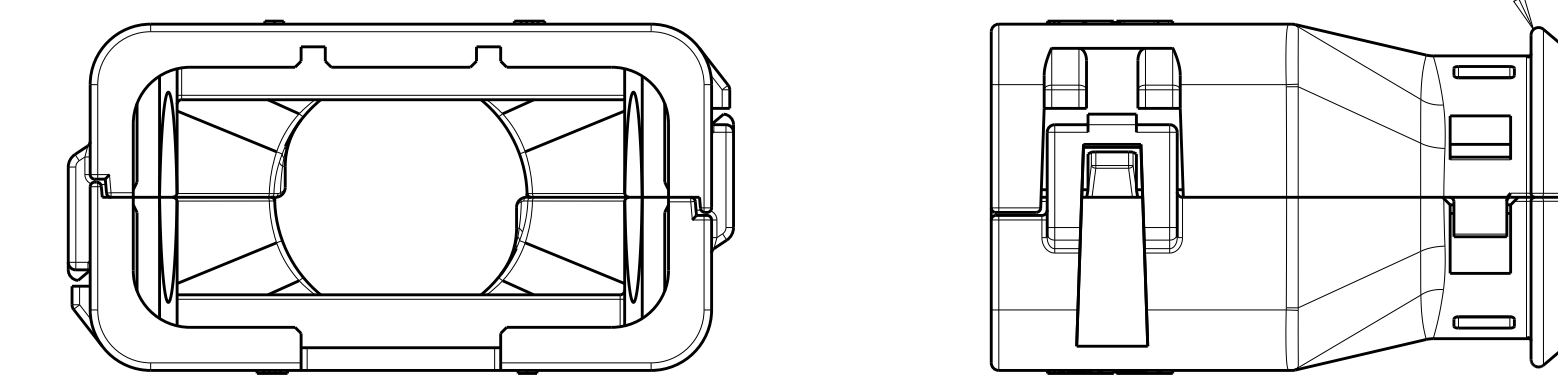
2292802-3
ASSEMBLED ISOMETRIC VIEW SHOWN



2292802-3
EXPLODED ISOMETRIC VIEW SHOWN



2292802-3
WITH PLUG ASSEMBLY
EXPLODED ISOMETRIC VIEW SHOWN



- 1 MATERIAL: NYLON MOLDING COMPOUND, BLACK, PA66/6.
- 2 BACKSHELL DESIGNED SUCH THAT TWO HALVES ATTACH TO ONE ANOTHER AND CLAMP AROUND THE CONNECTOR COVER.
- 3 DIMENSIONS TO BE MEASURED WHEN BACKSHELLS ASSEMBLED.
- 4 PRODUCT WEIGHTS:
2292802-1: 7.23g ASSEMBLED
2292802-2: 9.06g ASSEMBLED
2292802-3: 10.36g ASSEMBLED
- 5 4mm WIDE SLOTS FOR TIE WRAP TO SECURE HARNESS WIRES (-1 ONLY).
- 6 HEAT SHRINK TUBING RETENTION FEATURE (-1 ONLY).
- 7. INSTRUCTION SHEET: 408-151043.
- 8. CONDUIT PROFILE: NORMAL ONLY.

FITS ON PLUG ASSY	CORREGATE NC	CORREGATE NW	PART NUMBER
NC16	NW13		2292802-3
NC20	NW17		2292802-2
SMOOTH	SMOOTH		2292802-1

THIS DRAWING IS A CONTROLLED DOCUMENT.		DWN J MCNEAL 22JUN2015 CHK R BALTER 22JUN2015 APVD R BALTER 22JUN2015	TE TE Connectivity	
DIMENSIONS: mm [INCHES]	TOLERANCES UNLESS OTHERWISE SPECIFIED: 0 PLC ± 1 PLC ± 2 PLC ± 3 PLC ± 4 PLC ± ANGLES ± FINISH ±	NAME BACKSHELL KIT, 12 POSITION PLUG ASSY AMPSEAL 16 PRODUCT SPEC 108-151043 APPLICATION SPEC	SIZE CAGE CODE DRAWING NO A100779C=2292802	RESTRICTED TO
MATERIAL		WEIGHT	SCALE 2:1	SHEET 1 OF 1
CUSTOMER DRAWING		REV A2		

X-ON Electronics

Largest Supplier of Electrical and Electronic Components

Click to view similar products for [Automotive Connectors](#) category:

Click to view products by [TE Connectivity](#) manufacturer:

Other Similar products are found below :

[003-018-000](#) [60403001](#) [60993906-B](#) [M902-2131](#) [M902-2161](#) [M902-2344](#) [72.330.1035.1](#) [73.353.4028.0](#) [F119300-B](#) [F166900](#) [F258300-B](#)
[F358300-B](#) [F407400](#) [F444110](#) [F487000](#) [F509500B-B](#) [827153-1](#) [8N1515-32-24P](#) [9-1326729-8](#) [925474-1](#) [928905-1](#) [964562-4](#) [968782-1](#)
[GT17SA-8DS-HU](#) [98891-1012](#) [98947-1016](#) [12004147](#) [12004475-L](#) [12010290](#) [12010309-B](#) [12015454](#) [12020219-B](#) [12041318-B](#) [12052225-](#)
[L](#) [12052466](#) [12064869](#) [12004327-B](#) [12015308](#) [12015384](#) [12015909](#) [1-21030-1](#) [12041254](#) [12041318](#) [12047946-B](#) [12047957](#) [12047957-L](#)
[12059473](#) [12066261](#) [12110546](#) [12110546-B](#)