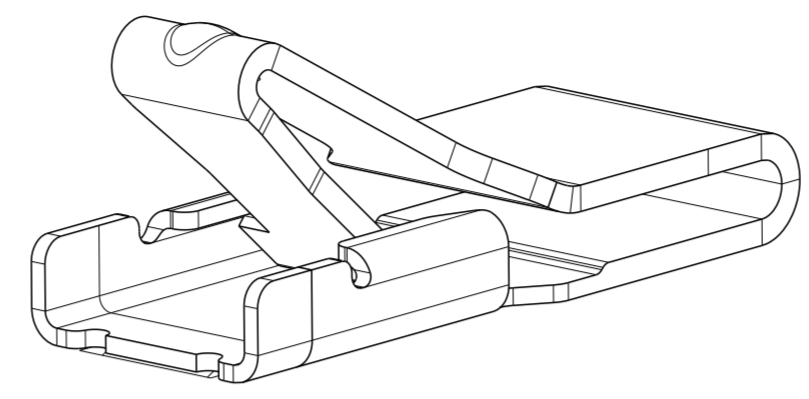
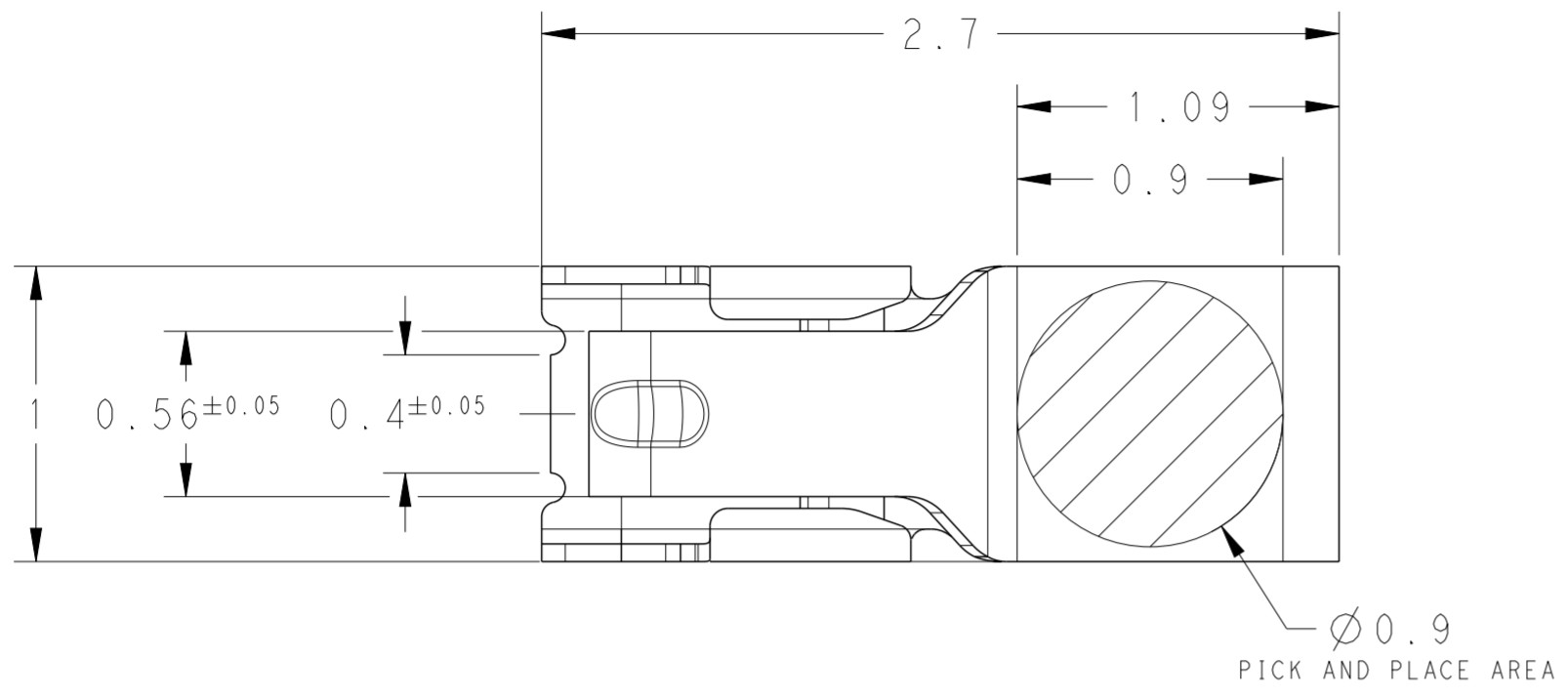
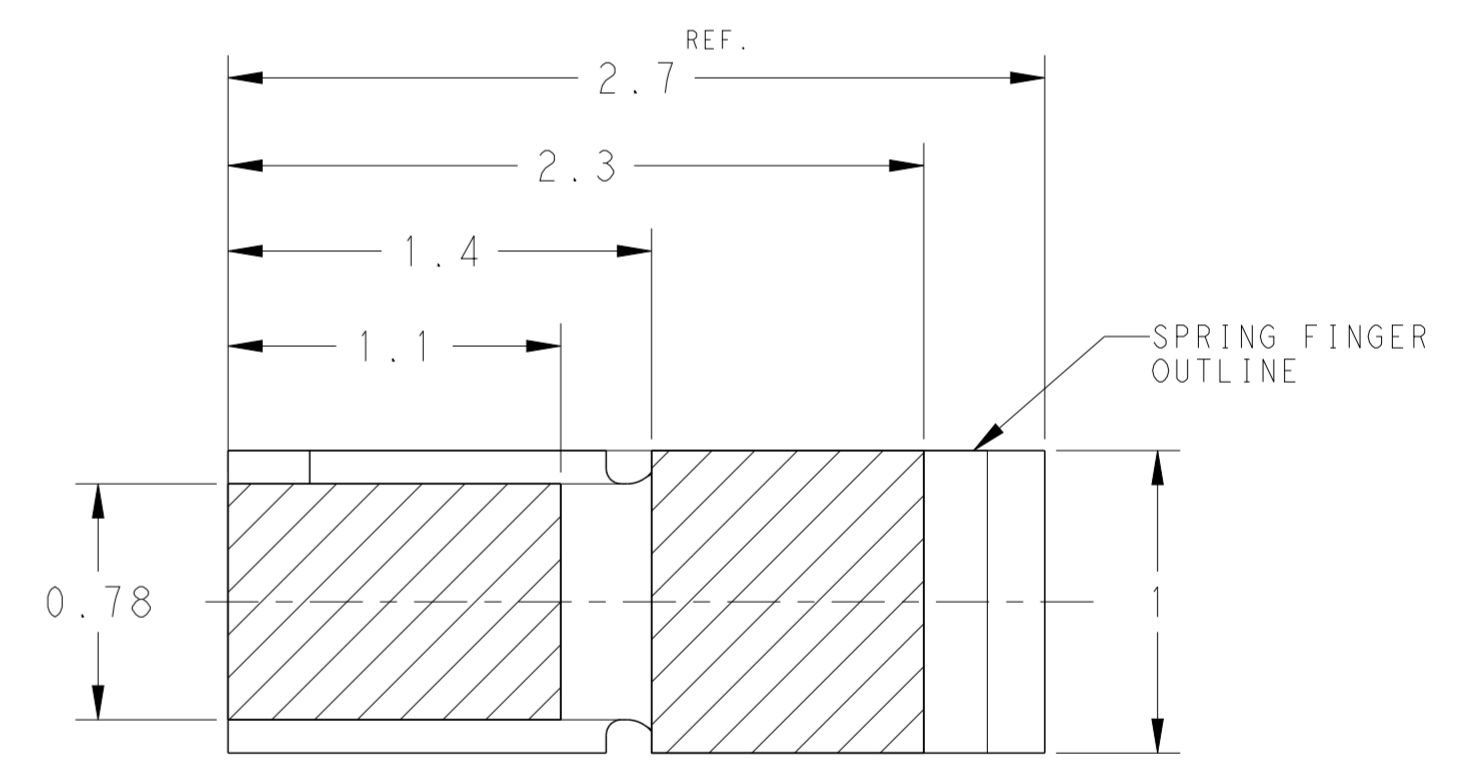
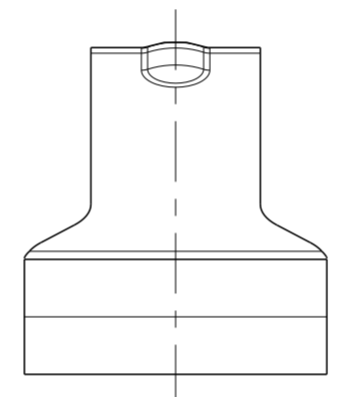
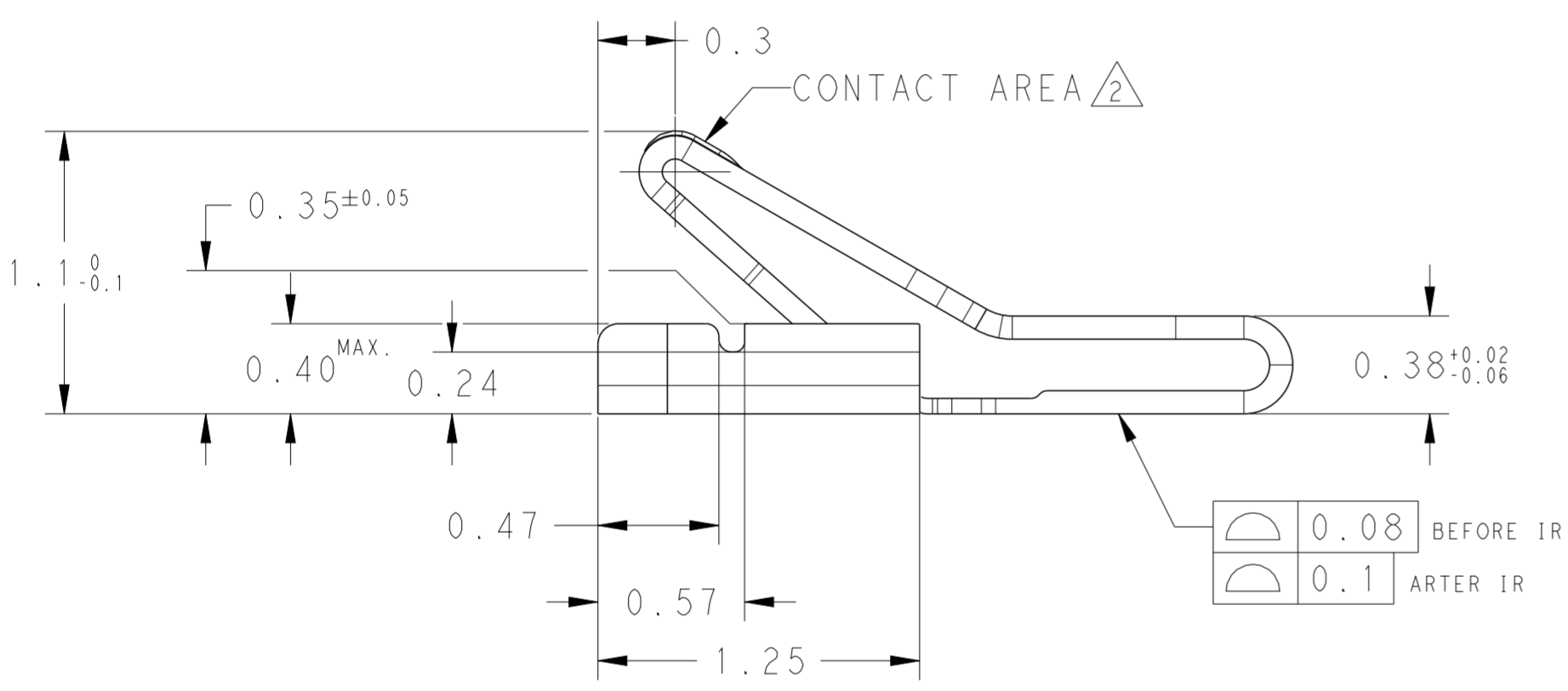


THIS DRAWING IS UNPUBLISHED. RELEASED FOR PUBLICATION
 © COPYRIGHT copyright.d8Te- ALL RIGHTS RESERVED.

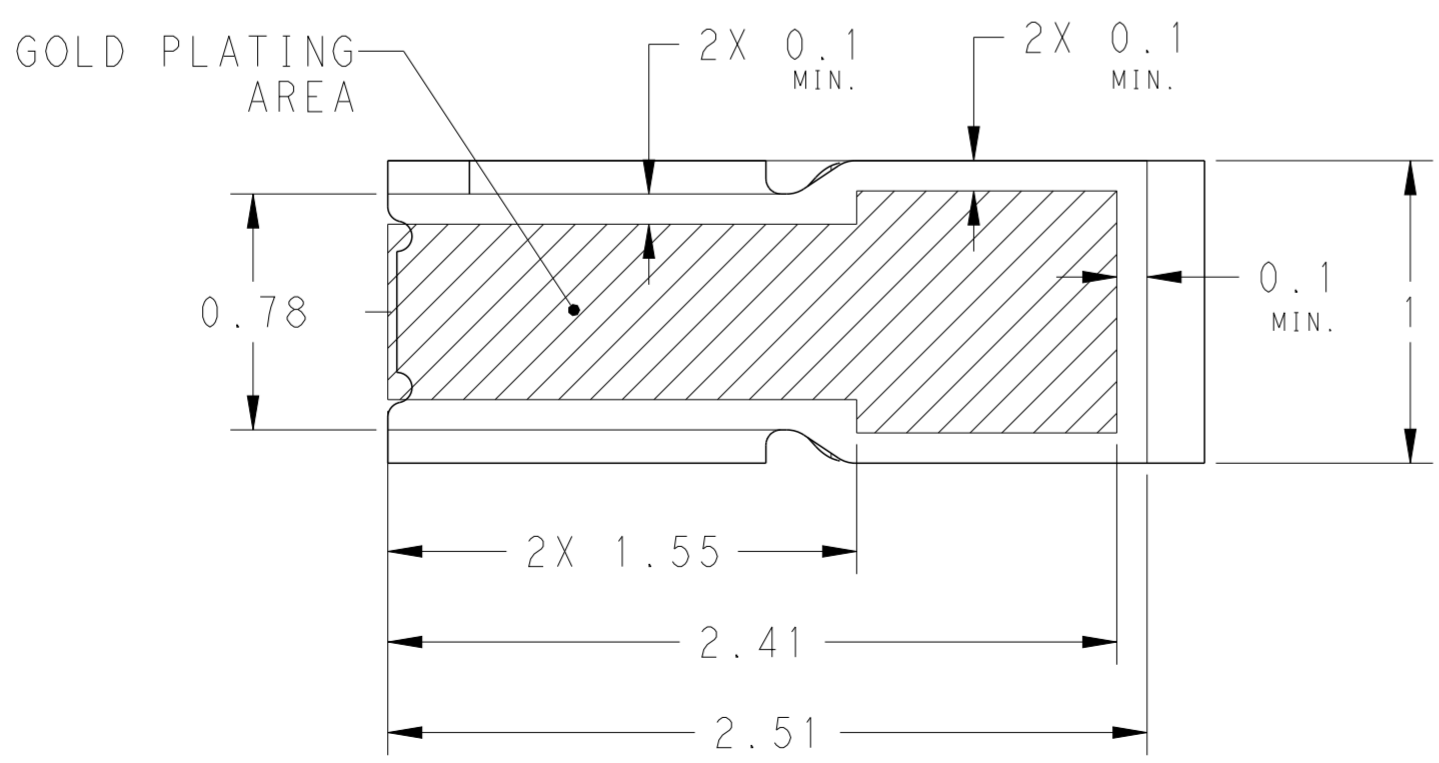
REVISIONS				
P	LTR	DESCRIPTION	DATE	APVD
	A	INITIAL	24JUN2016	S.W W.H



NOTE:
 1 MATERIAL: STAINLESS STEEL SUS301, THK: 0.09 mm.
 2 FINISH:
 NICKEL PLATE ALL OVER 0.002 mm~0.0076 mm THK.
 GOLD PLATE AREA 0.00025 mm MIN.THK. AT CONTACT AREA;
 GOLD PLATE AREA 0.000075~0.0002 mm MIN.THK. AT SOLDERING AREA.
 3 PERMITTED BURR 0.03 mm MAX.
 4 NORMAL FORCE 0.7N MIN. READ FROM RETURNED CURVE.
 5 WORKING POSITION: 0.4~0.75 mm.
 6 LLCR: 50 mΩ MAX. AT INITIAL, AND THE CHANGED LLCR NOT GREATER THAN 10 mΩ AFTER TEST.



SCALE 40:1
 RECOMMENDED PCB FOOTPRINT AND METAL MASK
 TOL. ±0.02

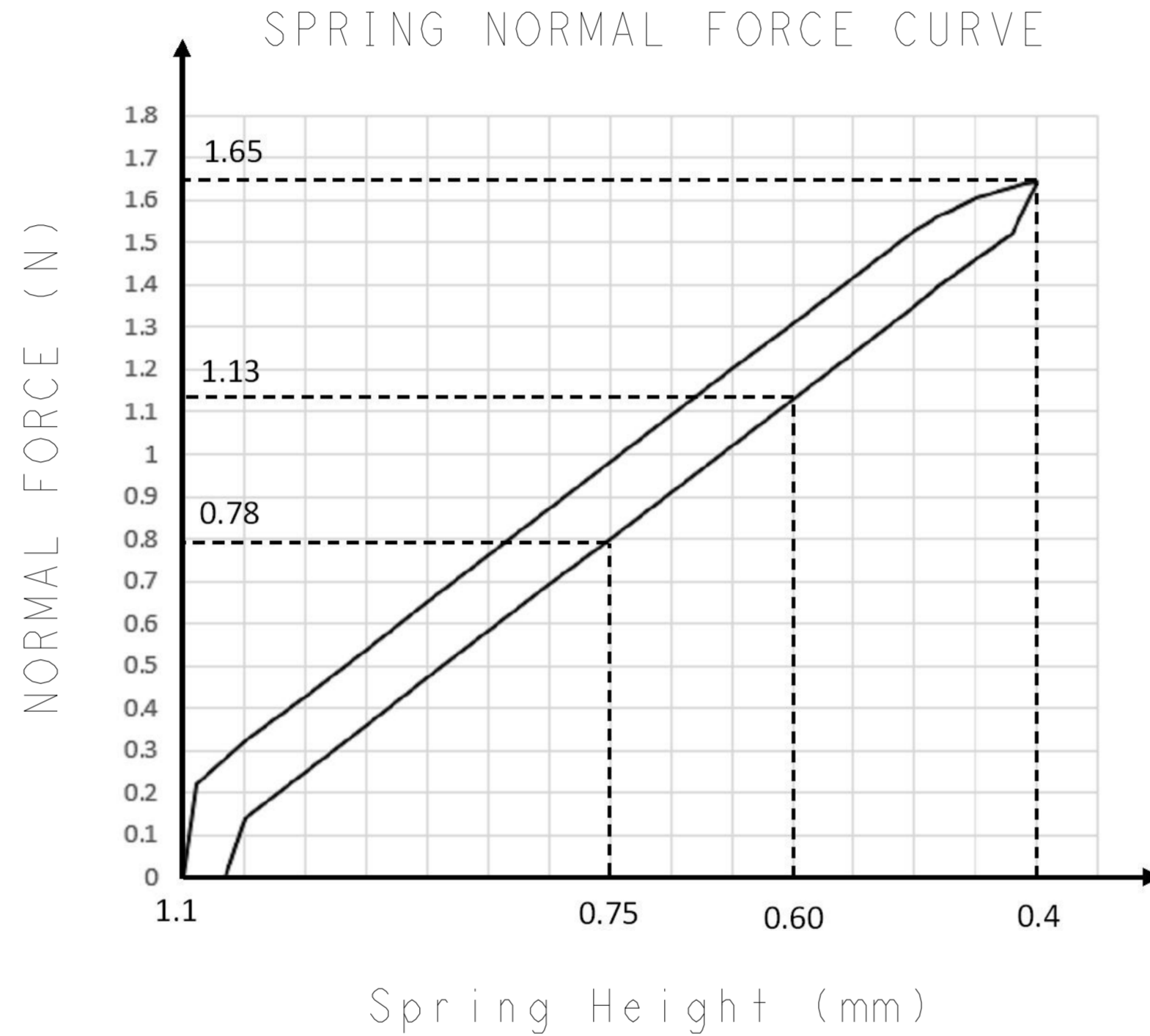


2292838-3
 PART NO.

THIS DRAWING IS A CONTROLLED DOCUMENT.		DWN SIMON WU 20MAY2015	TE Connectivity	
DIMENSIONS: mm		CHK WENKE HE 20MAY2015		
TOLERANCES UNLESS OTHERWISE SPECIFIED: ±0.1		APVD WENKE HE 20MAY2015	NAME 1.1H LOWER PROFILE SPRING FINGER	
0-PLC ± 1-PLC ±0.1 2-PLC ±0.01 3-PLC ±0.001 4-PLC ±0.0001 ANGLES ±5° FINISH		PRODUCT SPEC 108-115104	RESTRICTED TO	
MATERIAL		APPLICATION SPEC	SIZE A2	CAGE CODE
1		WEIGHT 0.004g	DRAWING NO. C-2292838	SCALE 40:1
2		CUSTOMER DRAWING	SHEET 1 OF 3	REV A

THIS DRAWING IS UNPUBLISHED. RELEASED FOR PUBLICATION
 © COPYRIGHT copyright.d8te- ALL RIGHTS RESERVED.

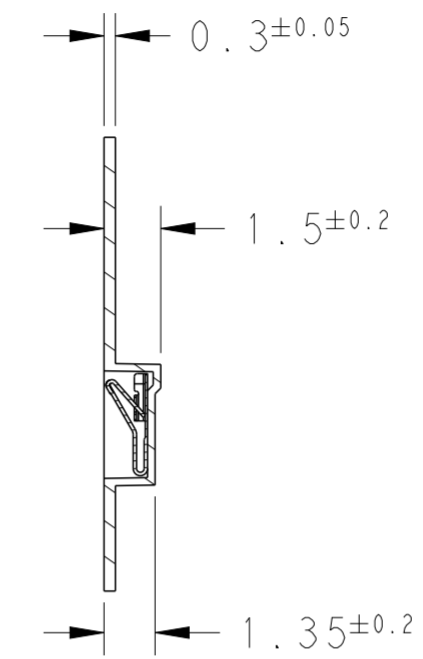
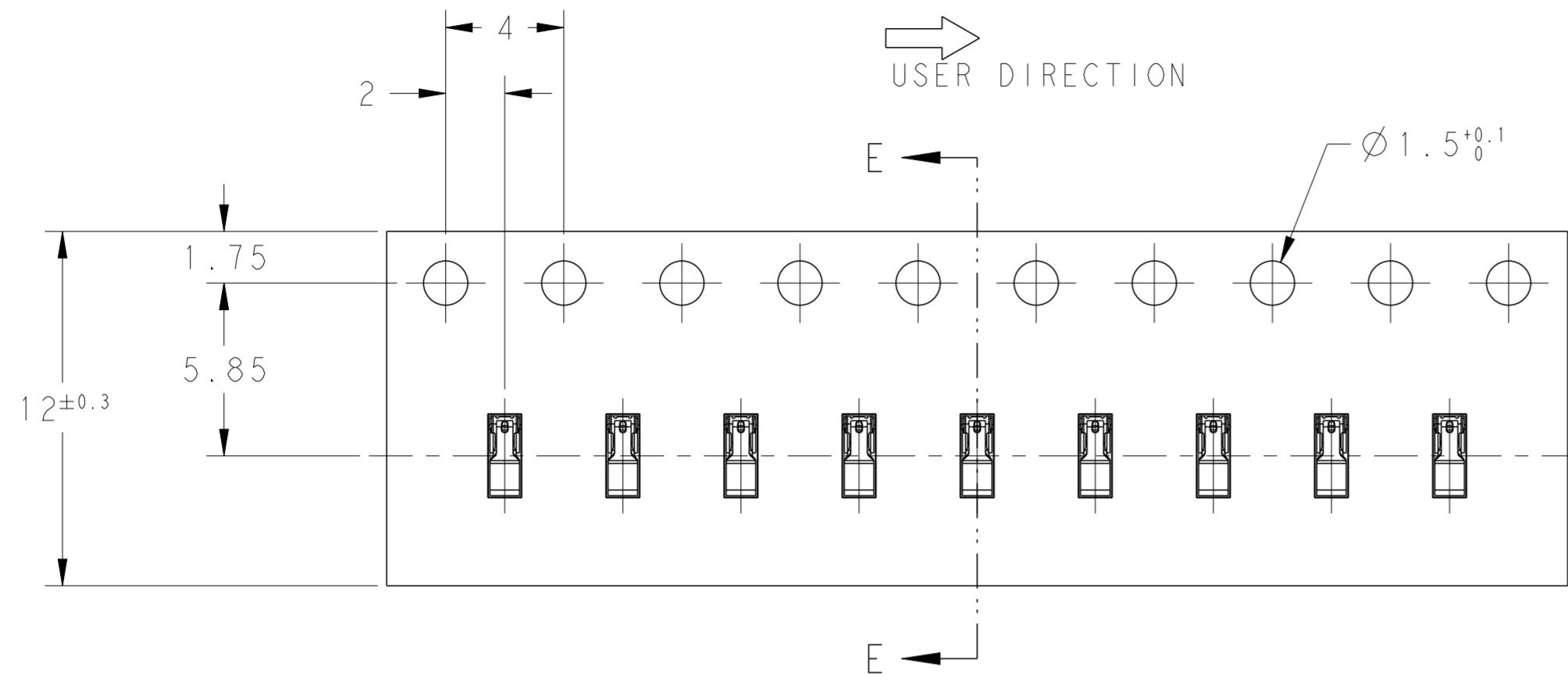
REVISIONS				
P	LTR	DESCRIPTION	DATE	APVD
-	-	SEE SHEET 1	-	-



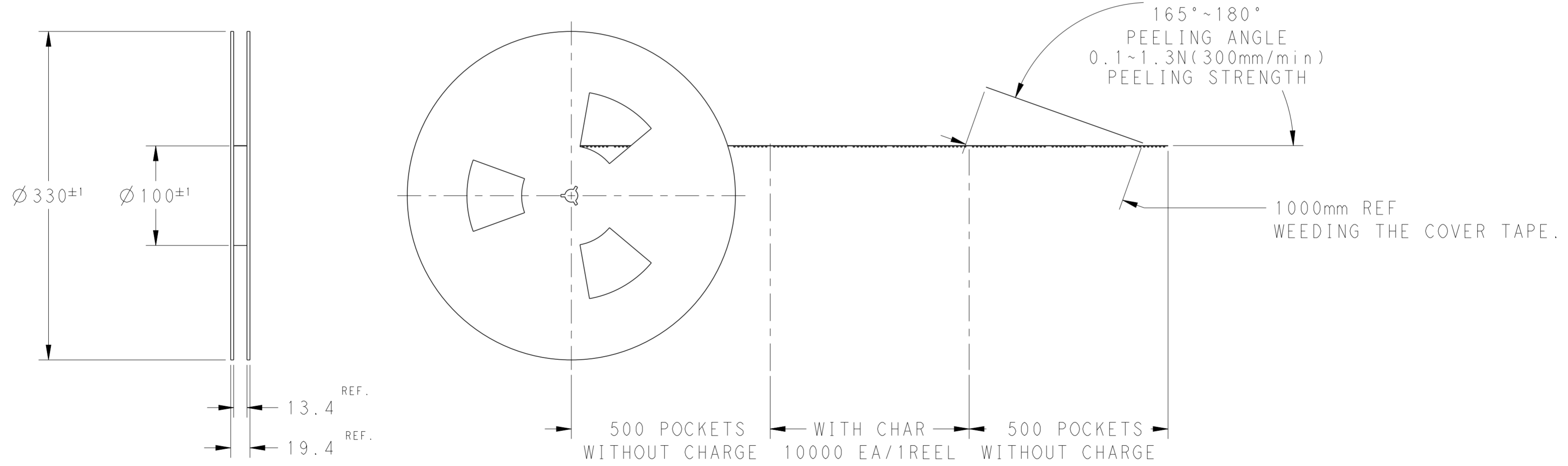
THIS DRAWING IS A CONTROLLED DOCUMENT.		DWN	STE TE Connectivity		
		CHK	NAME		
DIMENSIONS: mm		APVD	1.1H LOWER PROFILE SPRING FINGER		
TOLERANCES UNLESS OTHERWISE SPECIFIED: 0-PLC ± 1-PLC ±0.1 2-PLC ±0.01 3-PLC ±0.001 4-PLC ±0.0001 ANGLES ±0°		PRODUCT SPEC	SIZE	CAGE CODE	DRAWING NO
MATERIAL		APPLICATION SPEC	A2	-	C-2292838
		WEIGHT	RESTRICTED TO		-
		CUSTOMER DRAWING	SCALE	SHEET	REV
			N/A	2 OF 3	A

THIS DRAWING IS UNPUBLISHED. RELEASED FOR PUBLICATION
 © COPYRIGHT copyright.d8te- ALL RIGHTS RESERVED.

REVISIONS				
P	LTR	DESCRIPTION	DATE	APVD
-	-	SEE SHEET 1	-	-



SECTION E-E



NOTE:
 PACKAGE QUANTITY: 10,000 PCS PER REEL.

THIS DRAWING IS A CONTROLLED DOCUMENT.		DWN	STE TE Connectivity	
DIMENSIONS: mm		CHK		
TOLERANCES UNLESS OTHERWISE SPECIFIED: ± 0.1 0-PLC \pm 1-PLC ± 0.1 2-PLC ± 0.01 3-PLC ± 0.001 4-PLC ± 0.0001 ANGLES ± 0.0001 FINISH $\pm 5^\circ$		APVD	NAME 1.1H LOWER PROFILE SPRING FINGER	
MATERIAL		PRODUCT SPEC	SIZE	CAGE CODE
		APPLICATION SPEC	A2	-
		WEIGHT	DRAWING NO	RESTRICTED TO
		CUSTOMER DRAWING	G-2292838	-
		SCALE	5:1	SHEET 3 OF 3
		REV	A	

X-ON Electronics

Largest Supplier of Electrical and Electronic Components

Click to view similar products for [I/O Connectors](#) category:

Click to view products by [TE Connectivity](#) manufacturer:

Other Similar products are found below :

[571763P](#) [72.250.1628.2](#) [72.250.2428.2](#) [74720-0505](#) [76.350.0729.0](#) [76871-1403](#) [FCN-244F080-G/1](#) [FCN-260A9920](#) [MP-5T180MUNNA-005](#)
[PCR-E36PM](#) [PCS-XE26MA+](#) [G38A71314B](#) [1571250010](#) [157-22500-3](#) [MS3471L14-19P L/C](#) [91-569786-35H](#) [172501-4002](#) [172501-6002](#)
[FCN-260C008-A/L0](#) [FCN-260C024-AL0](#) [FCN-261Z008](#) [2000314-1](#) [200331-1](#) [PCR-E36FC+](#) [PCS-E28FS+](#) [PCS-XE26SLFD+](#) [PCS-](#)
[XE26SLFDT+](#) [G730VID08BDC24](#) [U90B2054081210](#) [UE86K842720321](#) [38113800006](#) [DP3AR020WQ1R200](#) [Z4.102.0680.0](#) [500-1040](#)
[500-1052](#) [500-1054](#) [ZP-4008-66L](#) [0709821002](#) [10-565995-597N](#) [DX40-20P\(55\)](#) [5554841-1](#) [U90B3054061110](#) [U65-E04-4020](#)
[ZPF00000000097891](#) [557-262M2-06C](#) [747360449](#) [10099439-003C-TRLF](#) [10137239-0021LF](#) [E9320-001-01](#) [10137239-0011LF](#)