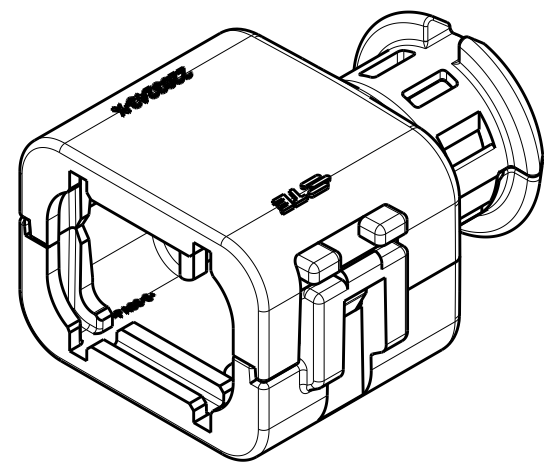
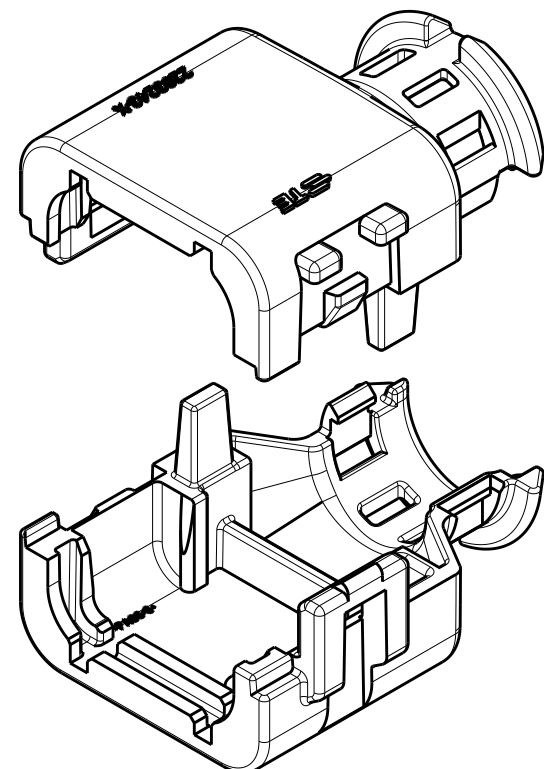


THIS DRAWING IS UNPUBLISHED. RELEASED FOR PUBLICATION 20  
 © COPYRIGHT 20 BY - ALL RIGHTS RESERVED.

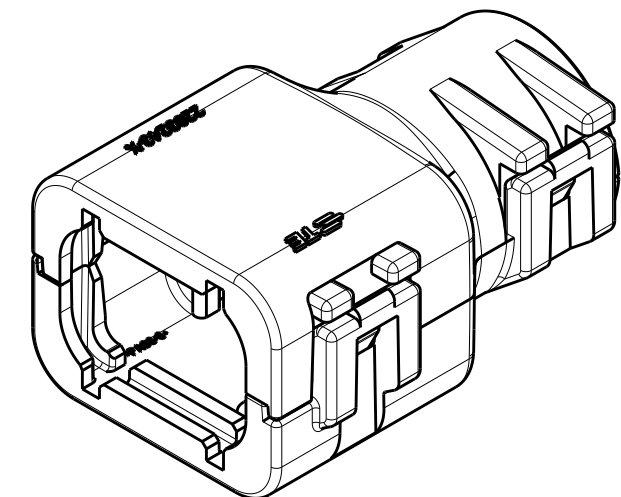
REVISIONS					
P	LTR	DESCRIPTION	DATE	DWN	APVD
	A	RELEASED PER ECO-15-010501	17JUL2015	JM	RB
	A1	REV PER ECO-16-007279	12MAY2016	JM	RB
	A2	REV PER ECO-16-013256	08SEP2016	JM	RB



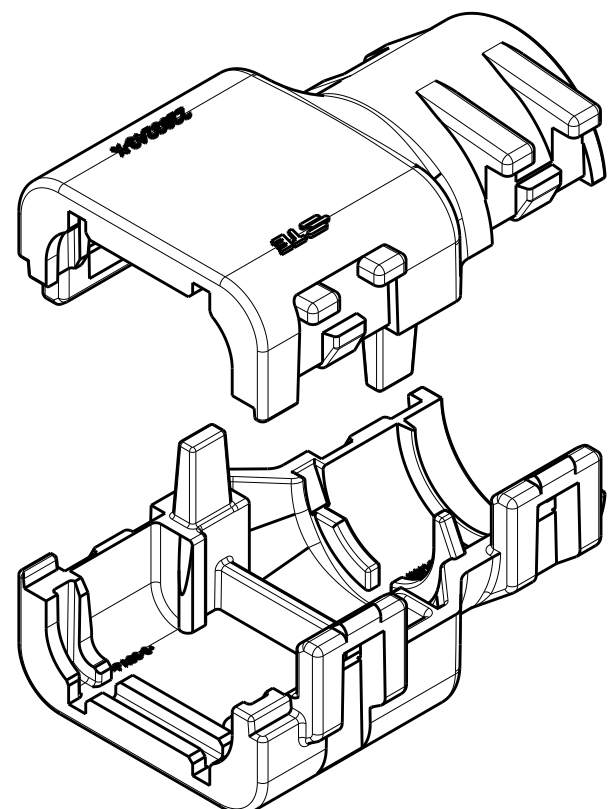
2292860-1  
ASSEMBLED ISOMETRIC VIEW SHOWN



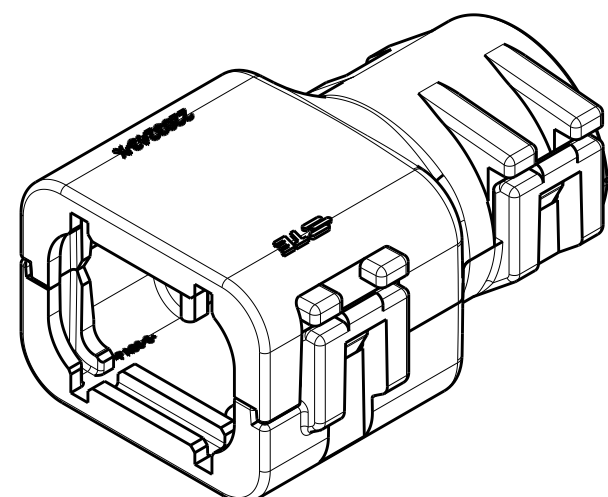
2292860-1  
EXPLODED ISOMETRIC VIEW SHOWN



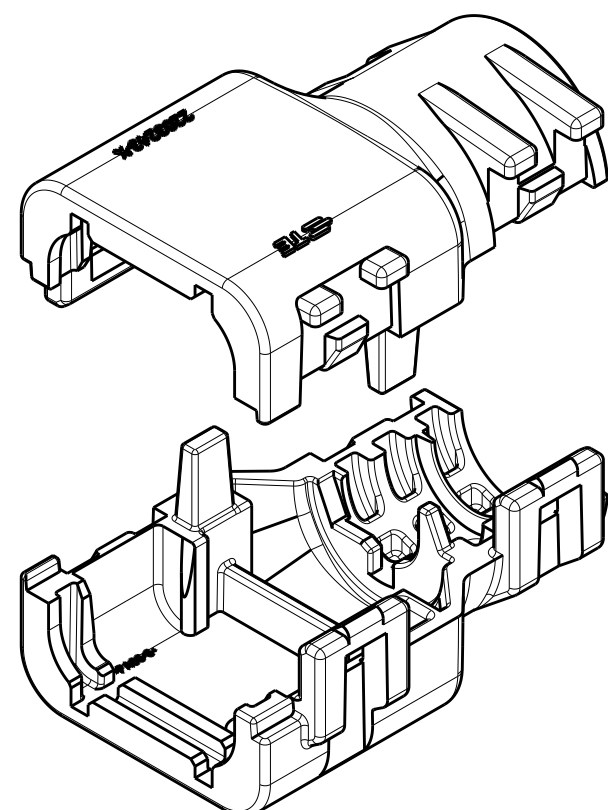
2292860-2  
ASSEMBLED ISOMETRIC VIEW SHOWN



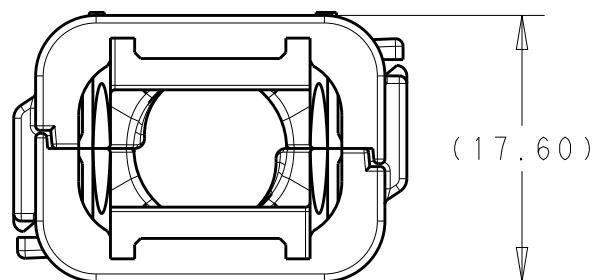
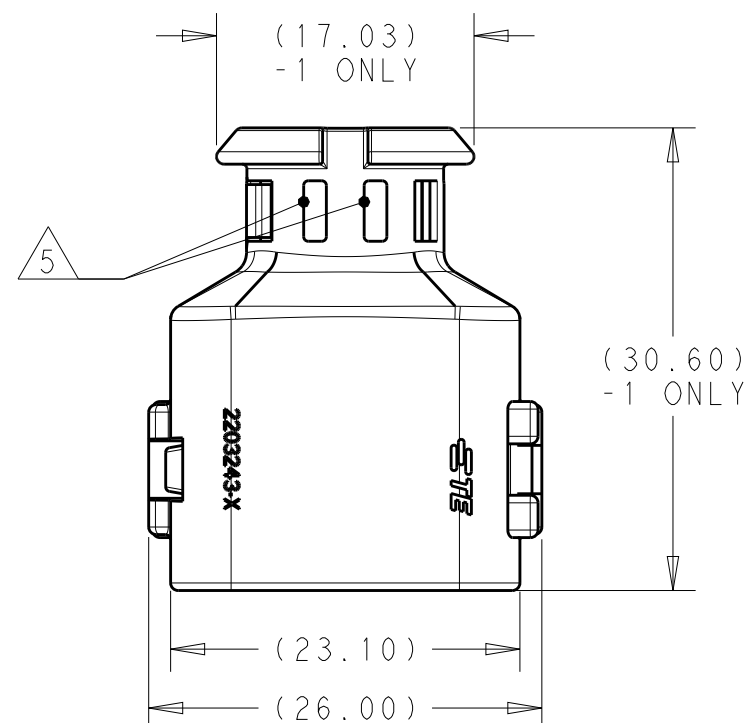
2292860-2  
EXPLODED ISOMETRIC VIEW SHOWN



2292860-3  
ASSEMBLED ISOMETRIC VIEW SHOWN

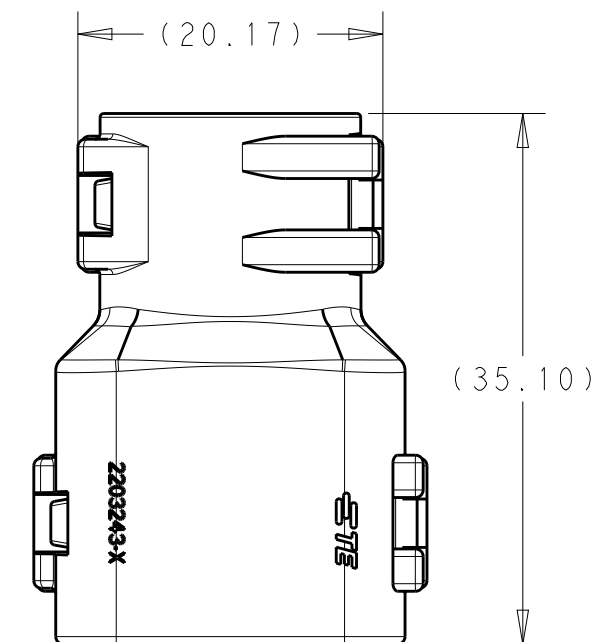
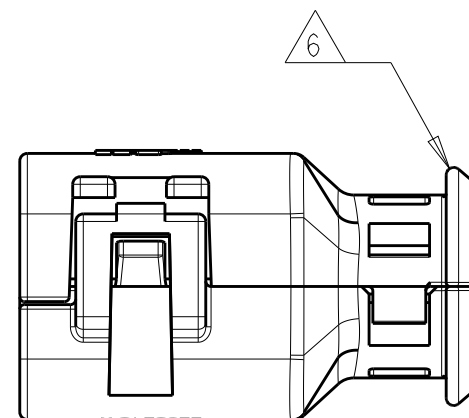


2292860-3  
EXPLODED ISOMETRIC VIEW SHOWN



2292860-1  
ASSEMBLED VIEW SHOWN

DIMENSIONS SHOWN TYPICAL FOR ALL PART NUMBERS <sup>3</sup>  
EXCEPT AS NOTED



2292860-2  
ASSEMBLED VIEW SHOWN

DIMENSIONS SHOWN TYPICAL FOR -2 AND -3 ONLY <sup>3</sup>

776428-X 776534-X	NC08	NW7.5	2292860-3
	NC12	NW10	2292860-2
	SMOOTH	SMOOTH	2292860-1
FITS ON CAP ASSY	CORRUGATE NC	CORRUGATE NW	PART NUMBER
CONDUIT SIZE			

DIMENSIONS:		TOLERANCES UNLESS OTHERWISE SPECIFIED:		THIS DRAWING IS A CONTROLLED DOCUMENT.		DWN J MCNEAL 19MAY2015		CHK R BALTER 19MAY2015		APVD R BALTER 19MAY2015		NAME	
mm	0 PLC ±	1 PLC ±	2 PLC ±	3 PLC ±	4 PLC ±	ANGLES ±	FINISH	PRODUCT SPEC	108-151043	APPLICATION SPEC	-	WEIGHT	A2
MATERIAL	-	-	-	-	-	-	-	CUSTOMER DRAWING	SCALE 2:1	SHEET 1 OF 2	REV A2	RESTRICTED TO	

**STE** TE Connectivity

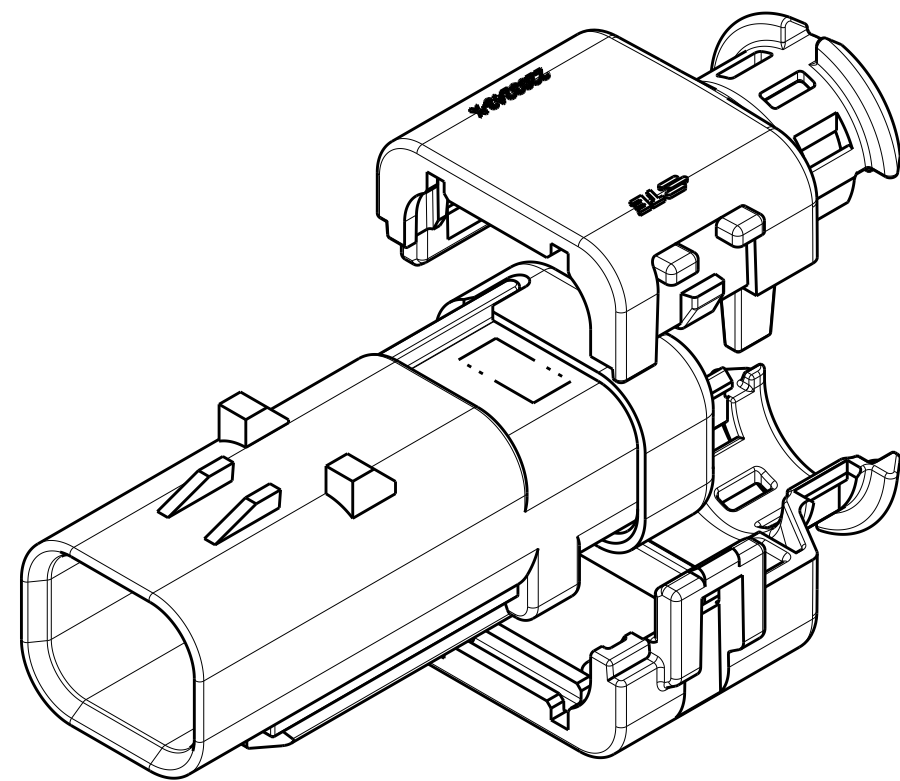
CAP ASSEMBLY, BACKSHELL KIT, 2 POSITION, AMPSEAL 16

SIZE CAGE CODE DRAWING NO  
A2 00779 C-2292860


SCALE 2:1 SHEET 1 OF 2 REV A2

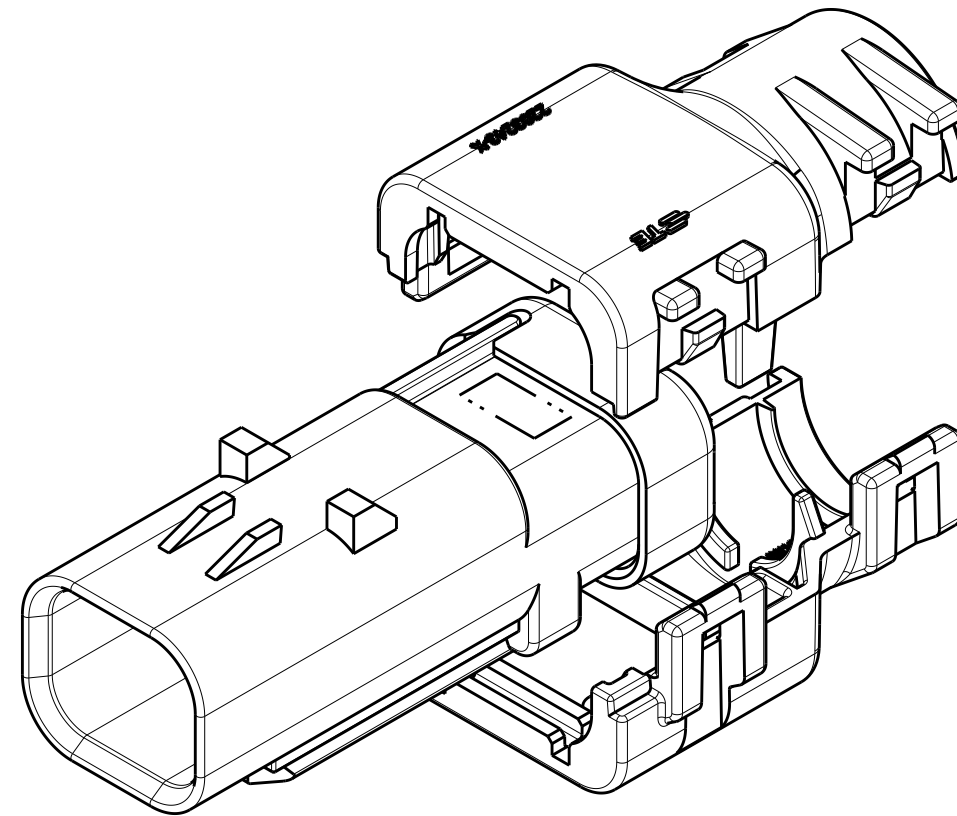
THIS DRAWING IS UNPUBLISHED. RELEASED FOR PUBLICATION 20  
 © COPYRIGHT 20 BY - ALL RIGHTS RESERVED.

REVISIONS				
P	LTR	DESCRIPTION	DATE	APVD
-		SEE SHEET 1	-	-



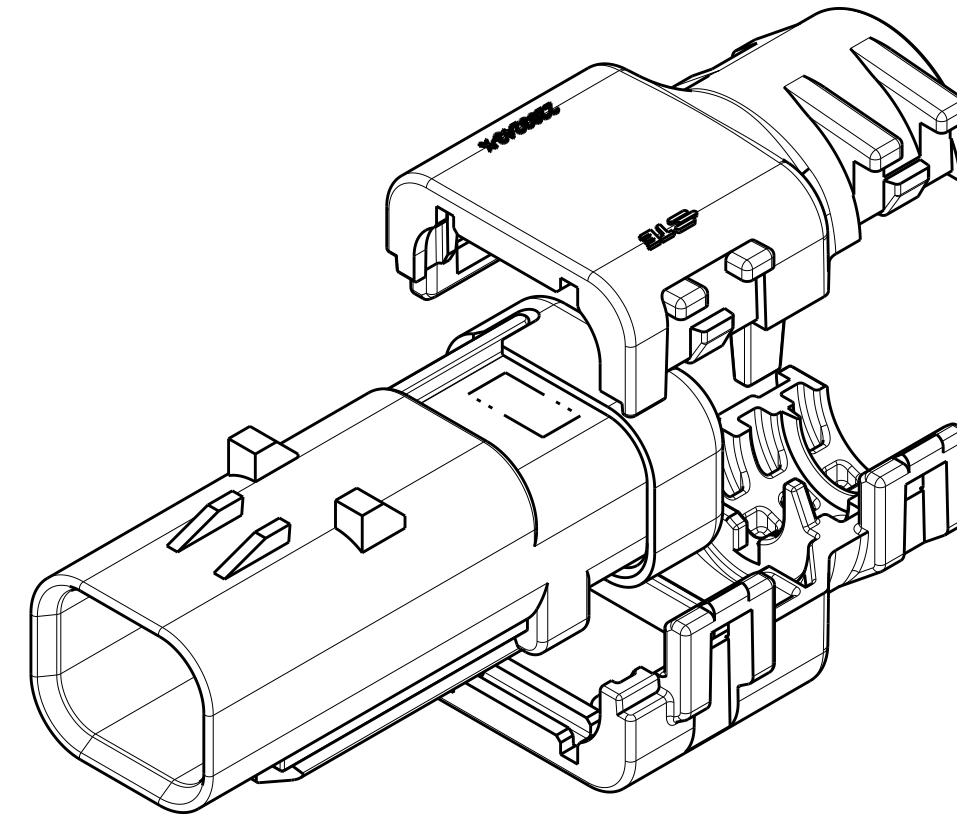
2292860-1

WITH CAP ASSEMBLY   
 EXPLODED ISOMETRIC VIEW SHOWN




2292860-2

WITH CAP ASSEMBLY   
 EXPLODED ISOMETRIC VIEW SHOWN



2292860-3

WITH CAP ASSEMBLY   
 EXPLODED ISOMETRIC VIEW SHOWN

THIS DRAWING IS A CONTROLLED DOCUMENT.		DWN J. MCNEAL 19MAY2015	 TE Connectivity	
DIMENSIONS: mm		CHK R. BALTER 19MAY2015		
TOLERANCES UNLESS OTHERWISE SPECIFIED:		APVD R. BALTER 19MAY2015	NAME CAP ASSEMBLY, BACKSHELL KIT, 2 POSITION, AMPSEAL 16	
0 PLC ± 1 PLC ± 2 PLC ± 3 PLC ± 4 PLC ± ANGLES ± FINISH		PRODUCT SPEC 108-151043	SIZE A2	CAGE CODE 00779
MATERIAL		APPLICATION SPEC	DRAWING NO C-2292860	RESTRICTED TO
		WEIGHT	SCALE 2:1 SHEET 2 OF 2 REV A2	
		CUSTOMER DRAWING		

## X-ON Electronics

Largest Supplier of Electrical and Electronic Components

*Click to view similar products for [Automotive Connectors](#) category:*

*Click to view products by [TE Connectivity](#) manufacturer:*

Other Similar products are found below :

[003-018-000](#) [60403001](#) [60993906-B](#) [M902-2131](#) [M902-2161](#) [72.330.1035.1](#) [73.353.4028.0](#) [F119300-B](#) [F166900](#) [F258300-B](#) [F358300-B](#)  
[F407400](#) [F444110](#) [F487000](#) [F509500B-B](#) [827153-1](#) [8N1515-32-24P](#) [9-1326729-8](#) [925474-1](#) [928905-1](#) [964562-4](#) [968782-1](#) [GT17SA-8DS-](#)  
[HU](#) [98891-1012](#) [98947-1016](#) [12004147](#) [12004475-L](#) [12010290](#) [12010309-B](#) [12015454](#) [12020219-B](#) [12020308](#) [12041318-B](#) [12052225-L](#)  
[12052466](#) [12059125](#) [12064869](#) [12004327-B](#) [12010503-B](#) [12015308](#) [12015384](#) [12015909](#) [1-21030-1](#) [12041254](#) [12041318](#) [12047946-B](#)  
[12047957](#) [12047957-L](#) [12059473](#) [12066261](#)