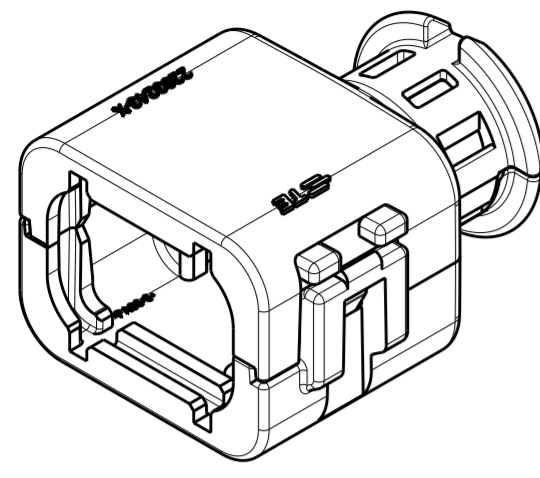
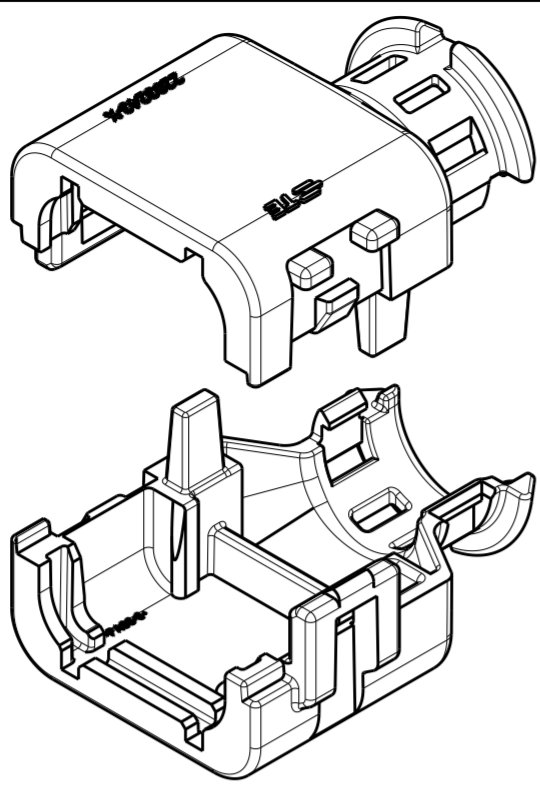


THIS DRAWING IS UNPUBLISHED. RELEASED FOR PUBLICATION 20
 © COPYRIGHT 20 BY - ALL RIGHTS RESERVED.

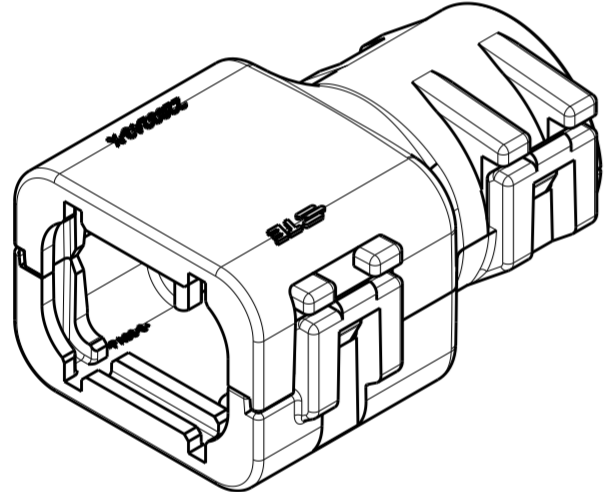
REVISIONS					
P	LTR	DESCRIPTION	DATE	DWN	APVD
	A	RELEASED PER ECO-15-010501	17JUL2015	JM	RB
	A1	REV PER ECO-16-007279	12MAY2016	JM	RB
	A2	REV PER ECO-16-013256	08SEP2016	JM	RB



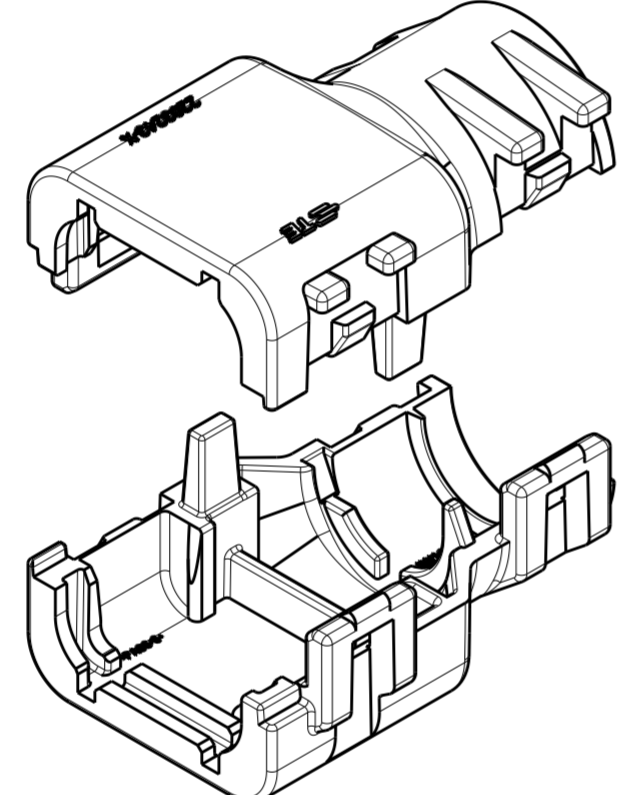
2292860-1
ASSEMBLED ISOMETRIC VIEW SHOWN



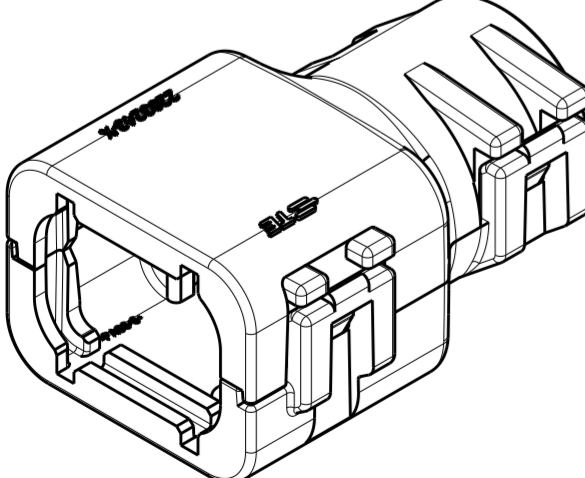
2292860-1
EXPLODED ISOMETRIC VIEW SHOWN



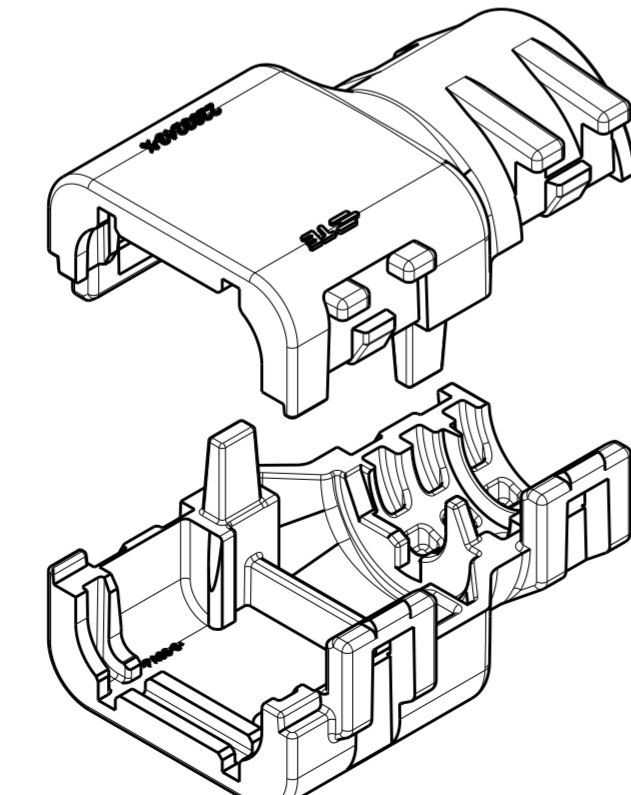
2292860-2
ASSEMBLED ISOMETRIC VIEW SHOWN



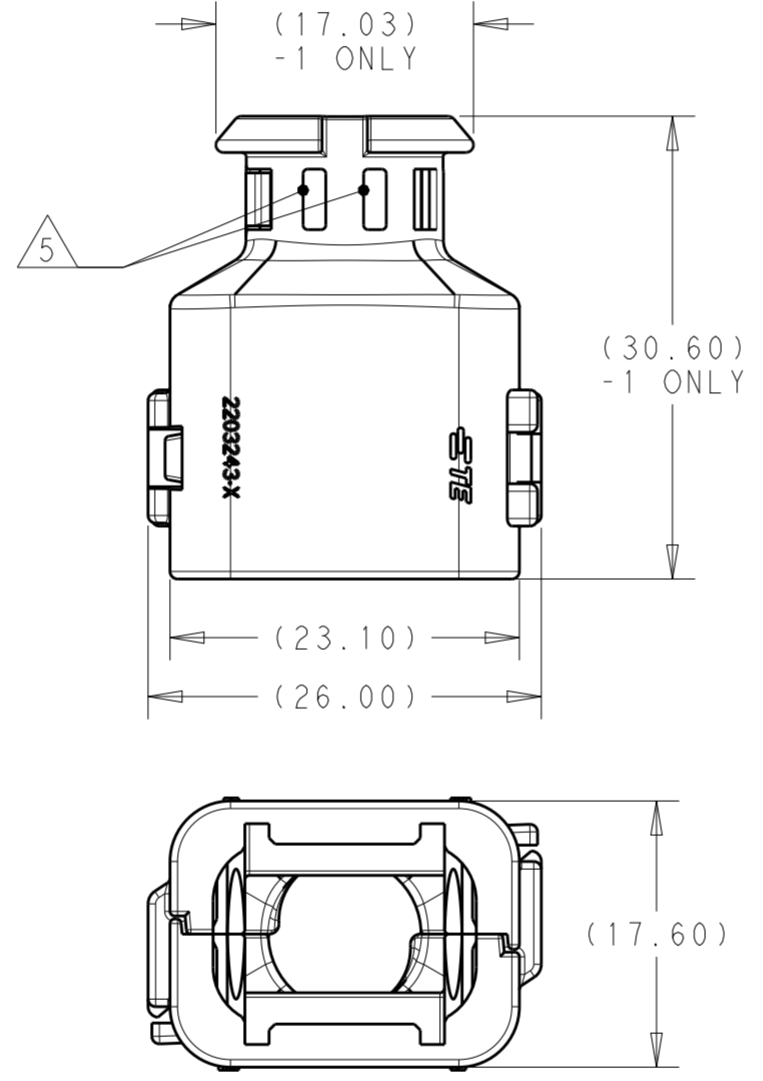
2292860-2
EXPLODED ISOMETRIC VIEW SHOWN



2292860-3
ASSEMBLED ISOMETRIC VIEW SHOWN

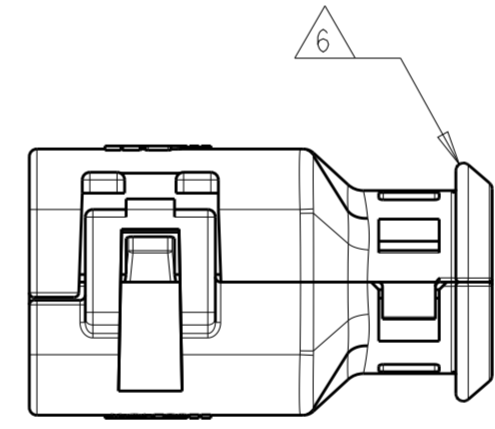


2292860-3
EXPLODED ISOMETRIC VIEW SHOWN

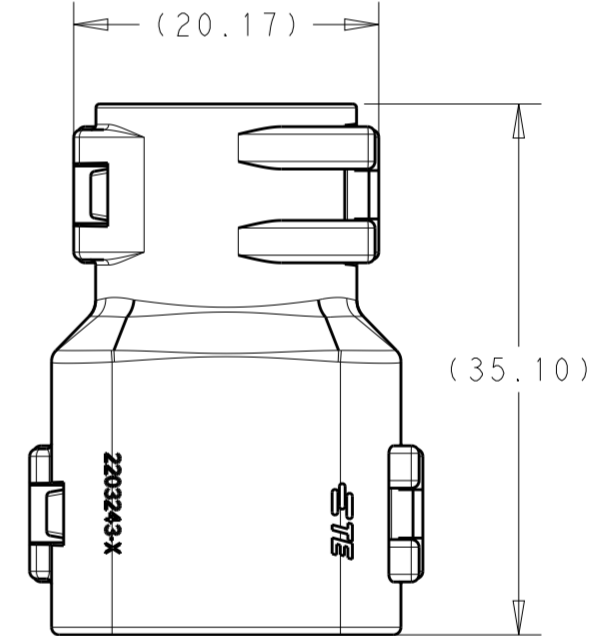


2292860-1
ASSEMBLED VIEW SHOWN

DIMENSIONS SHOWN TYPICAL FOR ALL PART NUMBERS ³ EXCEPT AS NOTED



- ¹ MATERIAL: NYLON MOLDING COMPOUND, BLACK, PA66/6.
- ² BACKSHELL DESIGNED SUCH THAT TWO HALVES ATTACH TO ONE ANOTHER AND CLAMP AROUND THE CONNECTOR COVER.
- ³ DIMENSIONS TO BE MEASURED WHEN BACKSHELLS ASSEMBLED.
- ⁴ PRODUCT WEIGHTS:
 2292860-1: 3.90g ASSEMBLED
 2292860-2: 5.10g ASSEMBLED
 2292860-3: 5.65g ASSEMBLED
- ⁵ 4mm WIDE SLOTS FOR TIE WRAP TO SECURE HARNESS WIRES (-1 ONLY).
- ⁶ HEAT SHRINK TUBING RETENTION FEATURE (-1 ONLY).
- 7. INSTRUCTION SHEET: 408-151043.
- 8. CONDUIT PROFILE: NORMAL ONLY



2292860-2
ASSEMBLED VIEW SHOWN

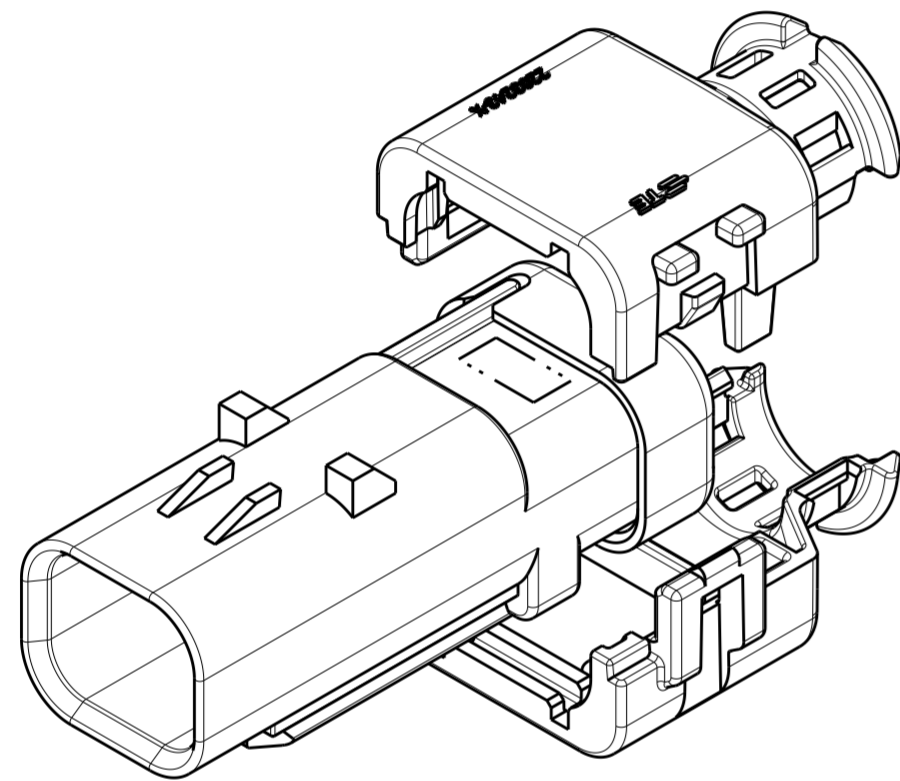
DIMENSIONS SHOWN TYPICAL FOR -2 AND -3 ONLY ³

776428-X 776534-X	NC08	NW7.5	2292860-3
	NC12	NW10	2292860-2
	SMOOTH	SMOOTH	2292860-1
FITS ON CAP ASSY	CORRUGATE NC	CORRUGATE NW	PART NUMBER
CONDUIT SIZE			

THIS DRAWING IS A CONTROLLED DOCUMENT.		DWN J MCNEAL 19MAY2015	STE TE Connectivity	
DIMENSIONS: mm		CHK R BALTER 19MAY2015		
TOLERANCES UNLESS OTHERWISE SPECIFIED:		APVD R BALTER 19MAY2015	NAME CAP ASSEMBLY, BACKSHELL KIT, 2 POSITION, AMPSEAL 16	
0 PLC ±		PRODUCT SPEC 108-151043	SIZE CAGE CODE DRAWING NO	
1 PLC ±		APPLICATION SPEC	A200779 C-2292860	
2 PLC ±		WEIGHT ⁴	RESTRICTED TO	
3 PLC ±		CUSTOMER DRAWING	SCALE 2:1 SHEET 1 OF 2 REV A2	
4 PLC ±				
ANGLES ±				
FINISH				

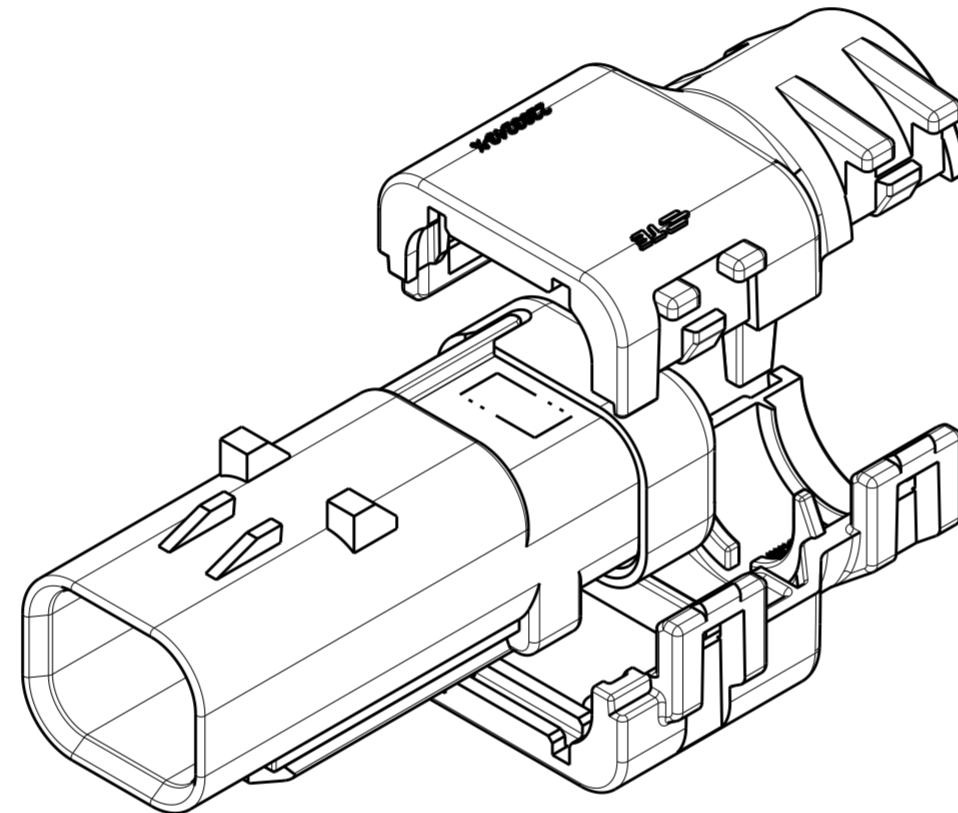
THIS DRAWING IS UNPUBLISHED. RELEASED FOR PUBLICATION 20
 © COPYRIGHT 20 BY - ALL RIGHTS RESERVED.

REVISIONS				
P	LTR	DESCRIPTION	DATE	APVD
-		SEE SHEET 1	-	-



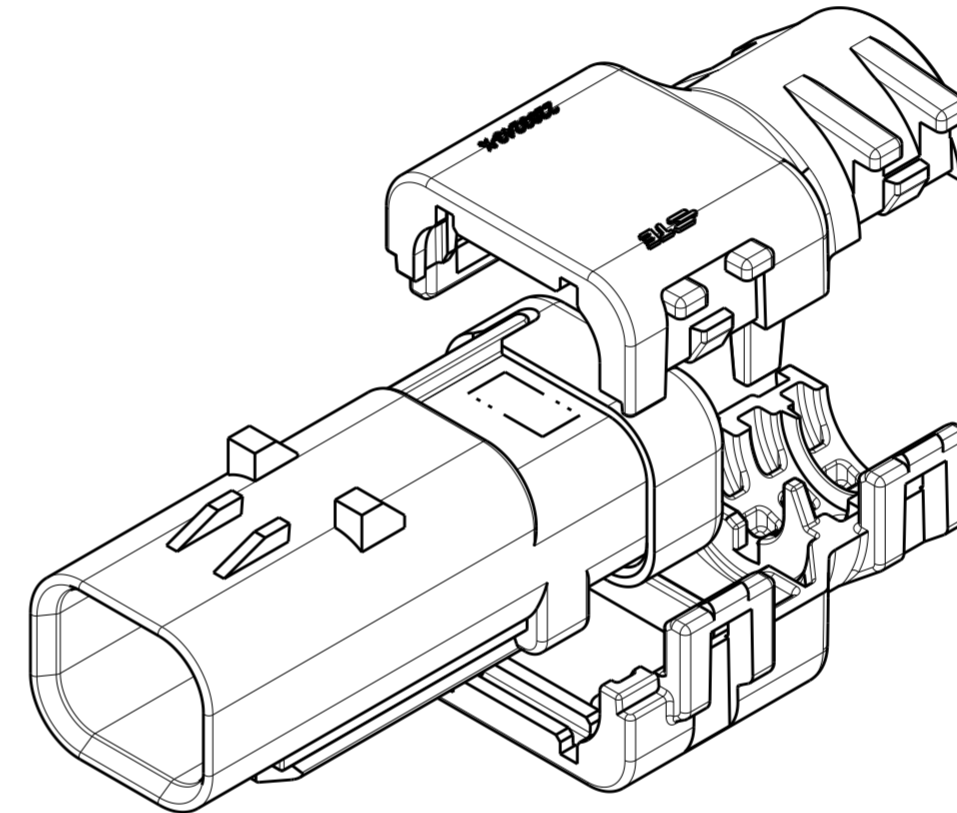
2292860-1

WITH CAP ASSEMBLY 
 EXPLODED ISOMETRIC VIEW SHOWN




2292860-2

WITH CAP ASSEMBLY 
 EXPLODED ISOMETRIC VIEW SHOWN



2292860-3

WITH CAP ASSEMBLY 
 EXPLODED ISOMETRIC VIEW SHOWN

THIS DRAWING IS A CONTROLLED DOCUMENT.		DWN J. MCNEAL 19MAY2015	 TE Connectivity	
DIMENSIONS: mm		CHK R. BALTER 19MAY2015		
TOLERANCES UNLESS OTHERWISE SPECIFIED:		APVD R. BALTER 19MAY2015	NAME CAP ASSEMBLY, BACKSHELL KIT, 2 POSITION, AMPSEAL 16	
0 PLC ±		PRODUCT SPEC 108-151043	RESTRICTED TO	
1 PLC ±		APPLICATION SPEC	SIZE A2	CAGE CODE 00779
2 PLC ±		WEIGHT	DRAWING NO C-2292860	
3 PLC ±		CUSTOMER DRAWING	SCALE 2:1	SHEET 2 OF 2
4 PLC ±			REV A2	
ANGLES ±				
FINISH				

X-ON Electronics

Largest Supplier of Electrical and Electronic Components

Click to view similar products for [Automotive Connectors](#) category:

Click to view products by [TE Connectivity](#) manufacturer:

Other Similar products are found below :

[003-018-000](#) [60993906-B](#) [M902-2131](#) [M902-2161](#) [M902-2344](#) [72.330.1035.1](#) [73.353.4028.0](#) [F166900](#) [F358300-B](#) [F407400](#) [776880-1](#)
[827153-1](#) [8N1515-32-24P](#) [9-1326729-8](#) [925474-1](#) [928905-1](#) [964562-4](#) [968782-1](#) [98891-1012](#) [12004475-L](#) [12020308](#) [12041318-B](#)
[12052466](#) [12064869](#) [12015909](#) [1-21030-1](#) [12041254](#) [12041318](#) [12047946-B](#) [12110546-B](#) [12131792](#) [12084688](#) [12092346](#) [HD34-18-14PT](#)
[HD46-24-23SN-059](#) [HDB36-24-16PN-059](#) [HDP26-24-9SE-L015](#) [12185280](#) [12185550](#) [12336-12](#) [12191172-B](#) [12S](#) [13545280](#) [13577943](#)
[13681974](#) [13737722-B](#) [13830674](#) [13832576](#) [13849772](#) [13542772](#)