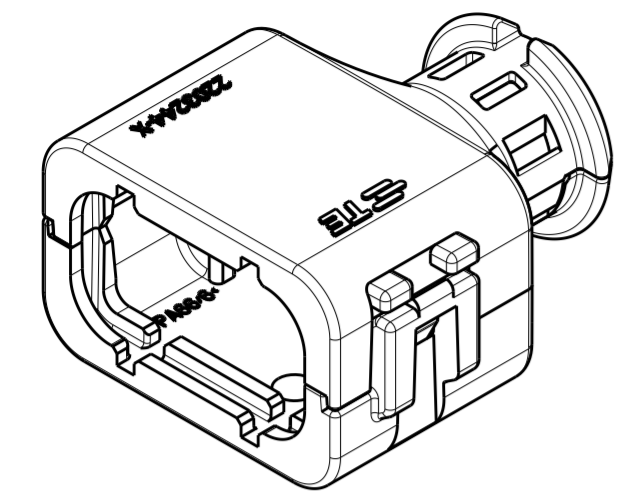
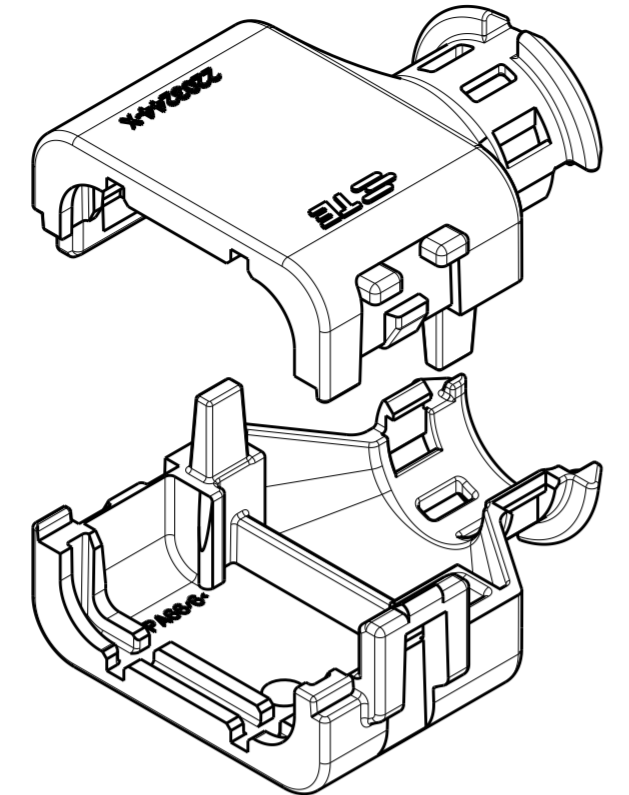


THIS DRAWING IS UNPUBLISHED. RELEASED FOR PUBLICATION  
 © COPYRIGHT 20 BY - ALL RIGHTS RESERVED.

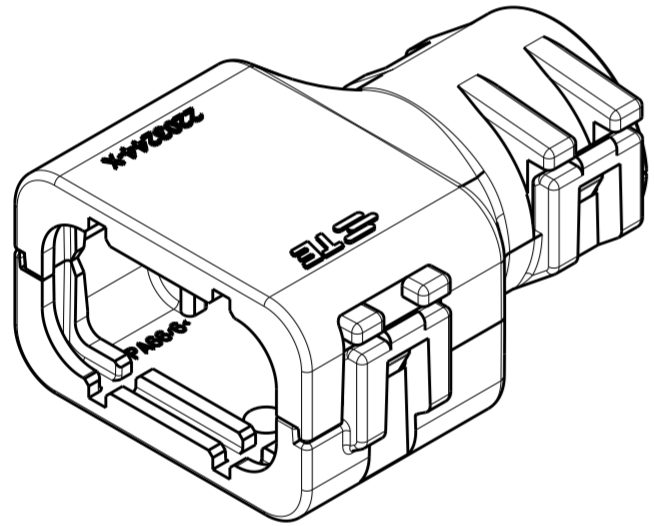
REVISIONS					
P	LTR	DESCRIPTION	DATE	DWN	APVD
	A	RELEASED PER ECO-15-010501	17JUL2015	JM	RB
	A1	REV PER ECO-16-007279	12MAY2016	JM	RB
	A2	REV PER ECO-16-013256	08SEP2016	JM	RB



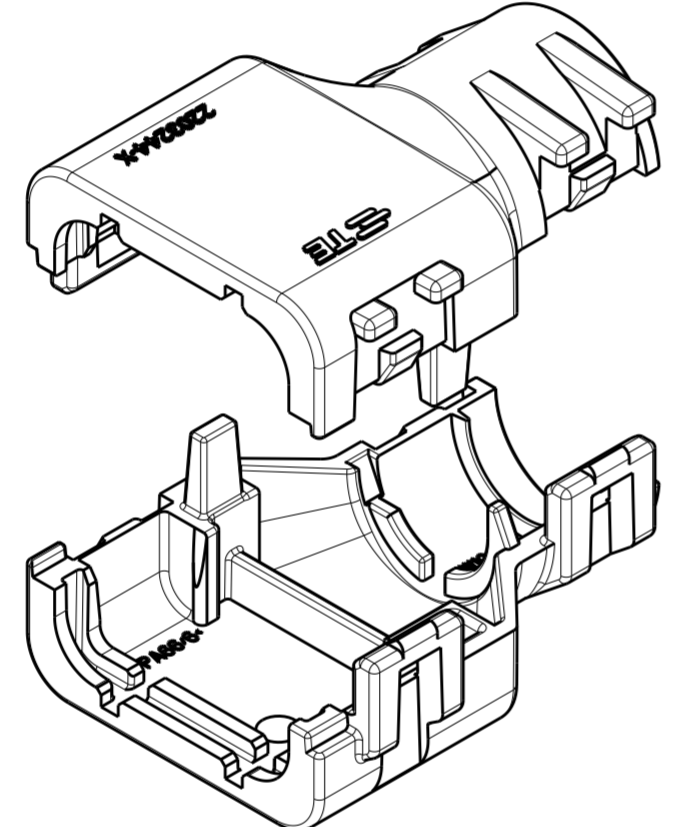
2292861-1  
ASSEMBLED ISOMETRIC VIEW SHOWN



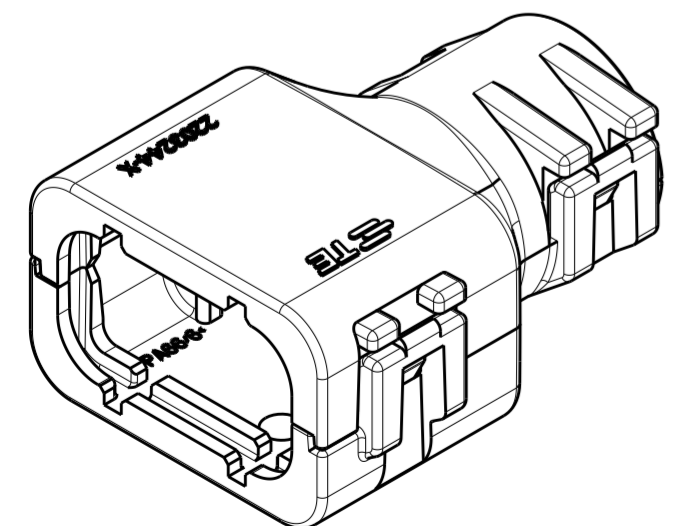
2292861-1  
EXPLODED ISOMETRIC VIEW SHOWN



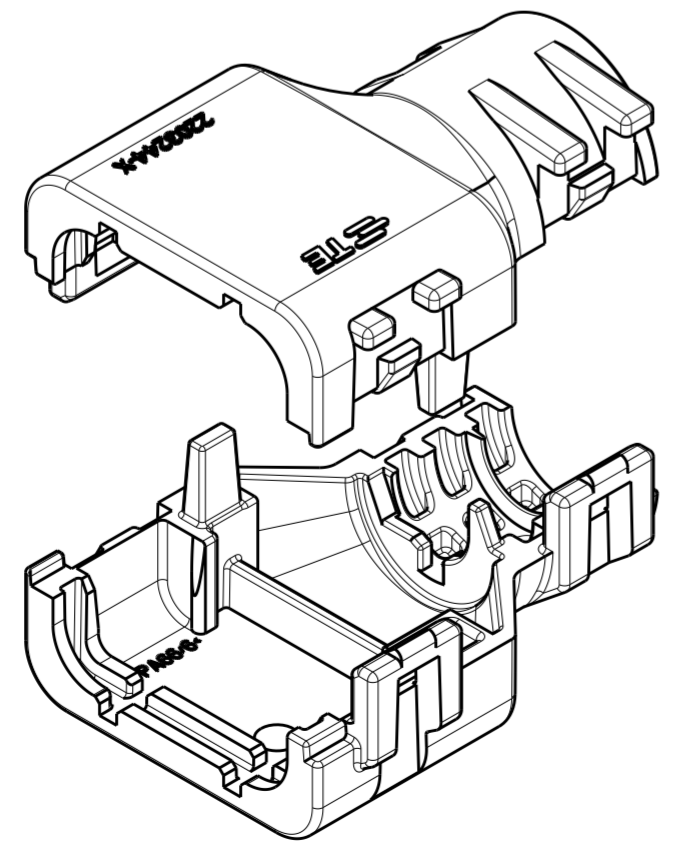
2292861-2  
ASSEMBLED ISOMETRIC VIEW SHOWN



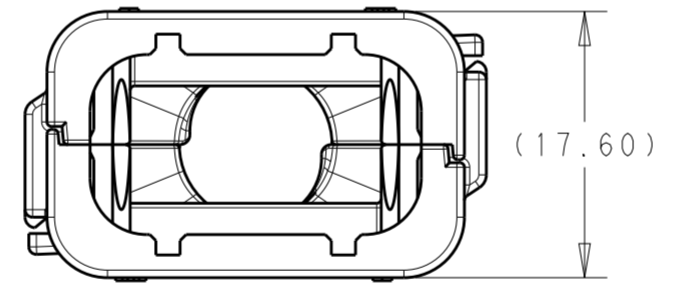
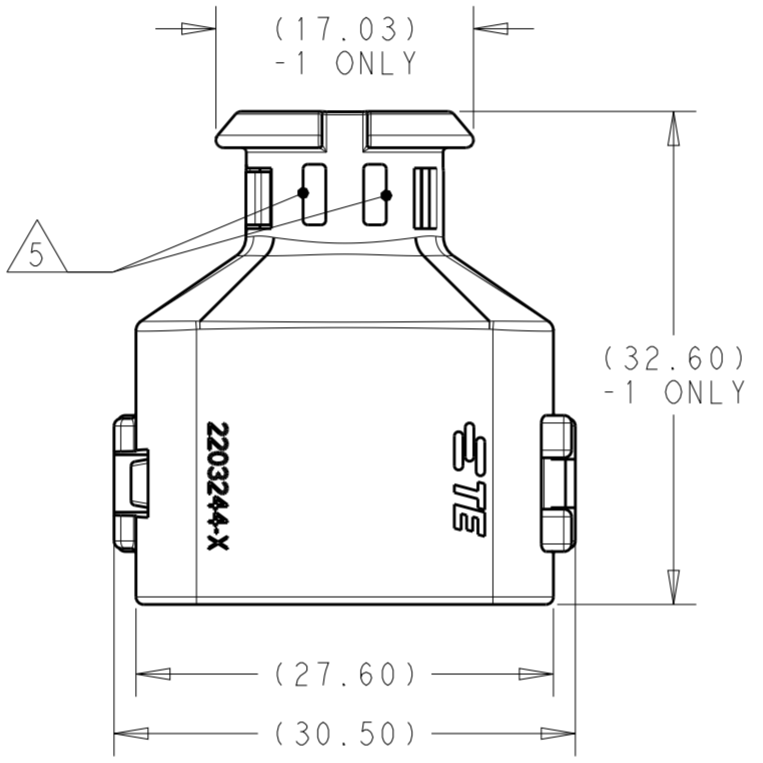
2292861-2  
EXPLODED ISOMETRIC VIEW SHOWN



2292861-3  
ASSEMBLED ISOMETRIC VIEW SHOWN

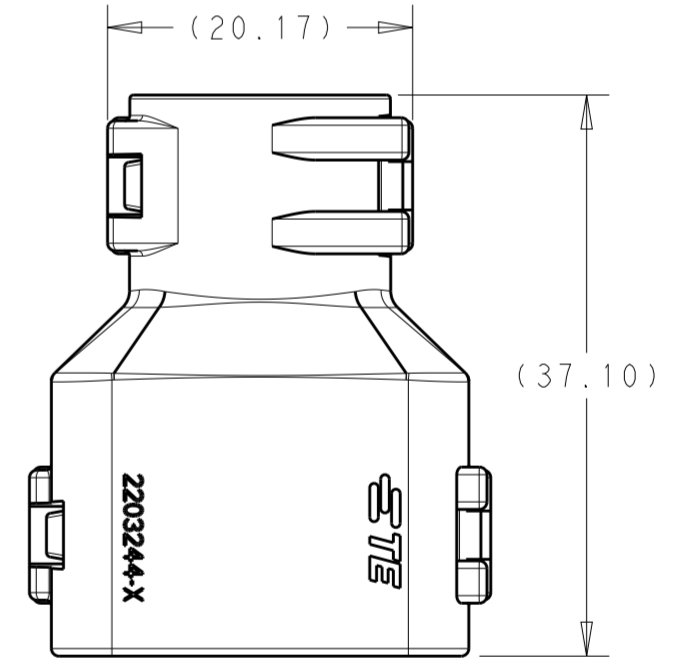
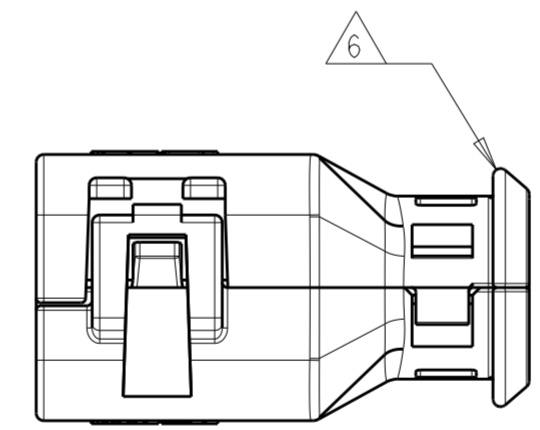


2292861-3  
EXPLODED ISOMETRIC VIEW SHOWN



2292861-1  
ASSEMBLED VIEW SHOWN

DIMENSIONS SHOWN TYPICAL FOR ALL PART NUMBERS <sup>3</sup> EXCEPT AS NOTED



2292861-2  
ASSEMBLED VIEW SHOWN

DIMENSIONS SHOWN TYPICAL FOR -2 AND -3 ONLY <sup>3</sup>

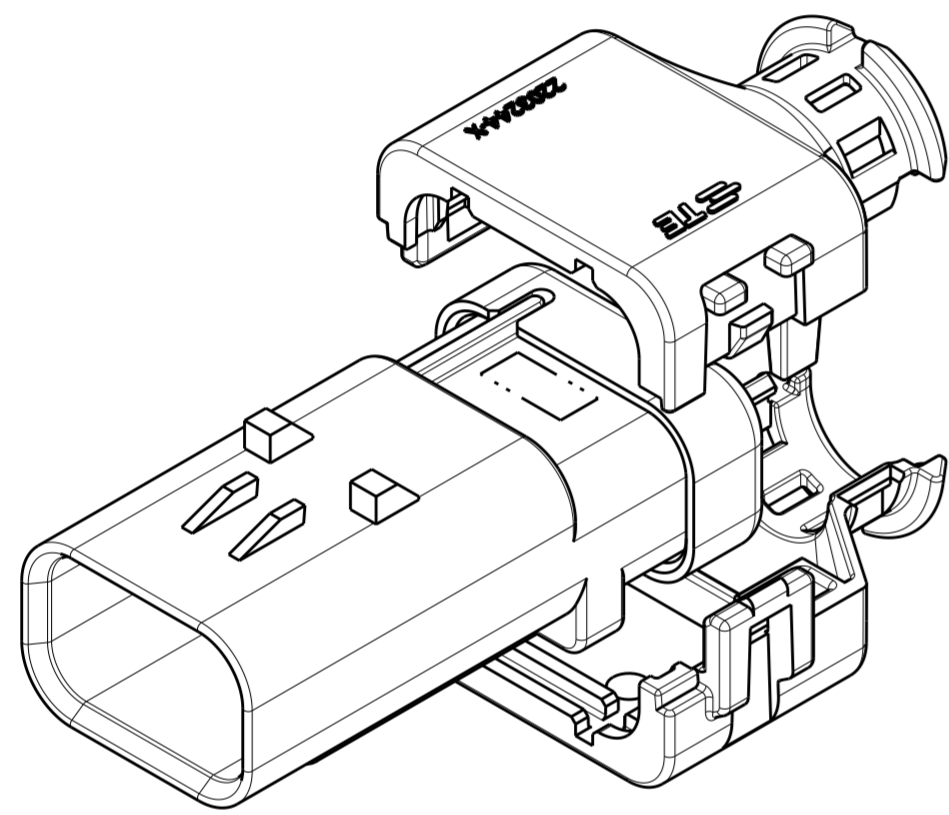
- 1 MATERIAL: NYLON MOLDING COMPOUND, BLACK, PA66/6.
- 2 BACKSHELL DESIGNED SUCH THAT TWO HALVES ATTACH TO ONE ANOTHER AND CLAMP AROUND THE CONNECTOR COVER.
- 3 DIMENSIONS TO BE MEASURED WHEN BACKSHELLS ASSEMBLED.
- 4 PRODUCT WEIGHTS:  
2292861-1: 4.55g ASSEMBLED  
2292861-2: 5.70g ASSEMBLED  
2292861-3: 6.15g ASSEMBLED
- 5 4mm WIDE SLOTS FOR TIE WRAP TO SECURE HARNESS WIRES (-1 ONLY).
- 6 HEAT SHRINK TUBING RETENTION FEATURE (-1 ONLY).
- 7 INSTRUCTION SHEET: 408-151043.
- 8 CONDUIT PROFILE: NORMAL ONLY

776430-X	NC08	NW7.5	2292861-3
776535-X	NC12	NW10	2292861-2
	SMOOTH	SMOOTH	2292861-1
FITS ON CAP ASSY	CORRUGATE NC	CORRUGATE NW	PART NUMBER
	CONDUIT SIZE		

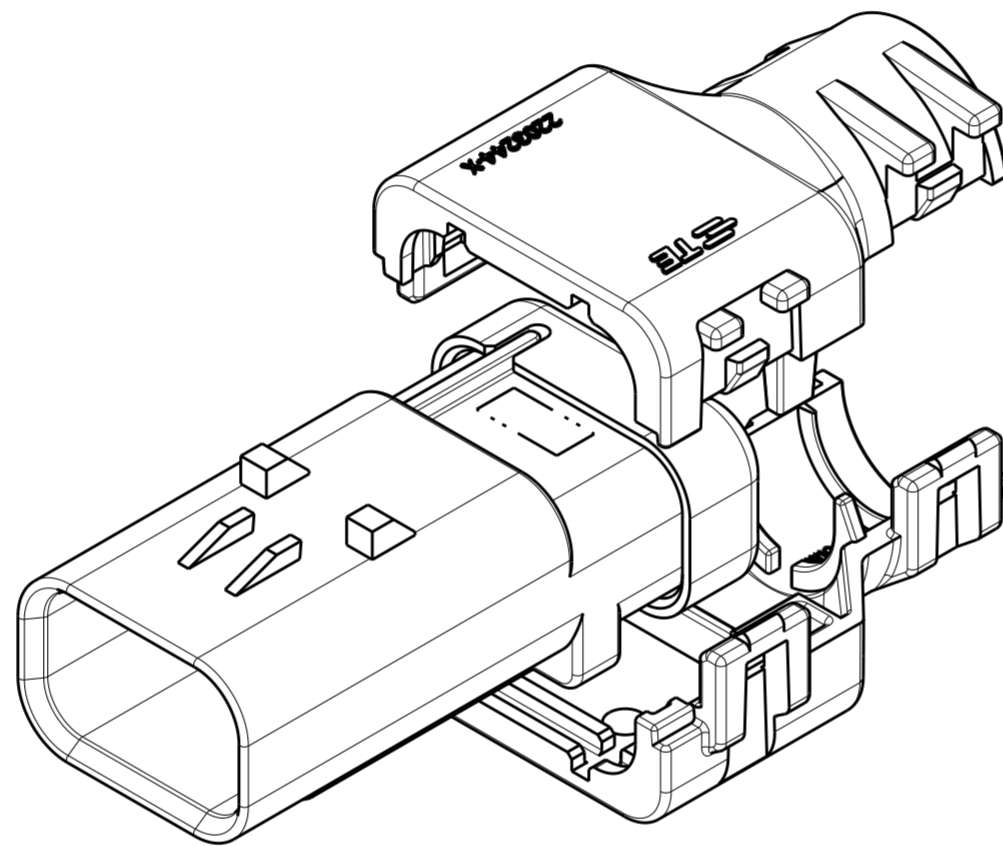
THIS DRAWING IS A CONTROLLED DOCUMENT.		DWN J MCNEAL 27MAY2015	TE Connectivity	
		CHK R BALTER 27MAY2015		
		APVD R BALTER 27MAY2015	NAME CAP ASSEMBLY, BACKSHELL KIT, 3 POSITION, AMPSEAL 16	
DIMENSIONS: mm		PRODUCT SPEC 108-151043	SIZE CAGE CODE DRAWING NO RESTRICTED TO	
TOLERANCES UNLESS OTHERWISE SPECIFIED:		APPLICATION SPEC -	A2 00779 C-2292861	
0 PLC ±		WEIGHT <sup>4</sup>	SCALE 2:1 SHEET 1 OF 2 REV A2	
1 PLC ±		CUSTOMER DRAWING		
2 PLC ±				
3 PLC ±				
4 PLC ±				
ANGLES ±				
FINISH -				
1				

THIS DRAWING IS UNPUBLISHED. RELEASED FOR PUBLICATION  
 © COPYRIGHT 20 BY - ALL RIGHTS RESERVED.

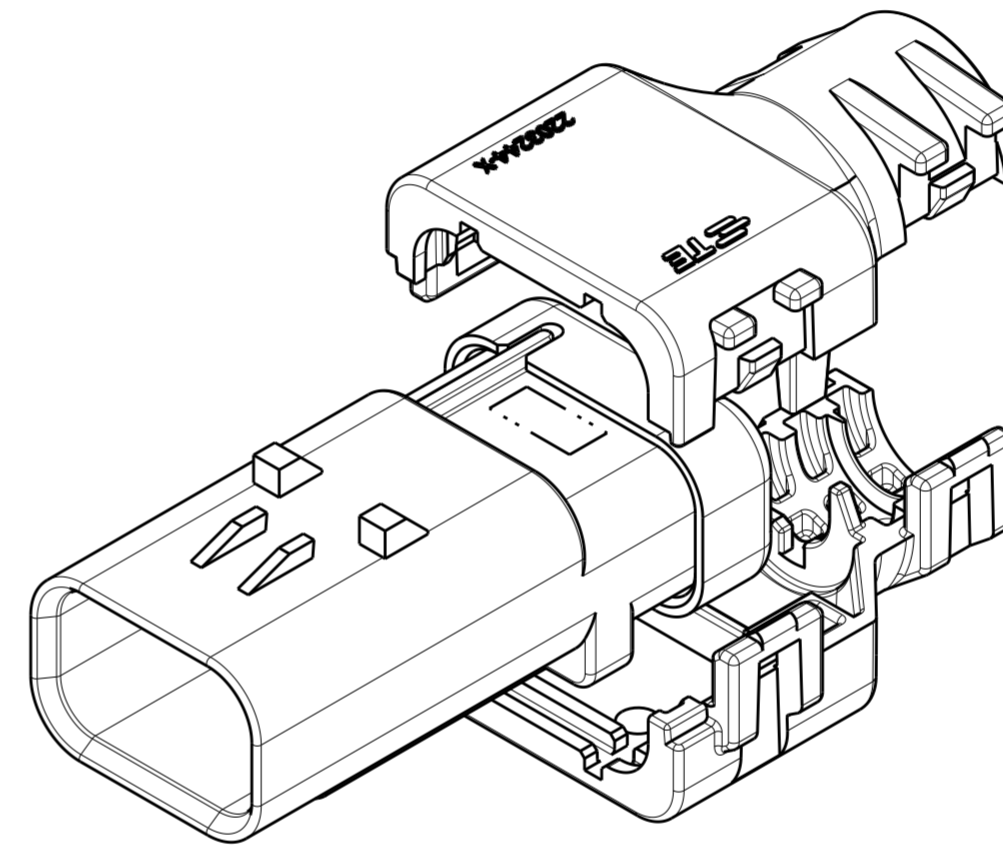
REVISIONS				
P	LTR	DESCRIPTION	DATE	APVD
-		SEE SHEET 1	-	-




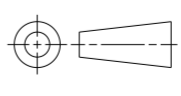
2292861-1  
 WITH CAP ASSEMBLY <sup>2</sup>  
 EXPLODED ISOMETRIC VIEW SHOWN



2292861-2  
 WITH CAP ASSEMBLY <sup>2</sup>  
 EXPLODED ISOMETRIC VIEW SHOWN



2292861-3  
 WITH CAP ASSEMBLY <sup>2</sup>  
 EXPLODED ISOMETRIC VIEW SHOWN

THIS DRAWING IS A CONTROLLED DOCUMENT.		DWN J. MCNEAL 27MAY2015	 TE Connectivity	
DIMENSIONS: mm		CHK R. BALTER 27MAY2015		
TOLERANCES UNLESS OTHERWISE SPECIFIED:		APVD R. BALTER 27MAY2015	NAME CAP ASSEMBLY, BACKSHELL KIT, 3 POSITION, AMPSEAL 16	
		PRODUCT SPEC 108-151043	RESTRICTED TO	
MATERIAL		APPLICATION SPEC	SIZE A2	CAGE CODE 00779
		WEIGHT	DRAWING NO C-2292861	SCALE 2:1
		CUSTOMER DRAWING	SHEET 2	OF 2
			REV A2	

## X-ON Electronics

Largest Supplier of Electrical and Electronic Components

*Click to view similar products for [Automotive Connectors](#) category:*

*Click to view products by [TE Connectivity](#) manufacturer:*

Other Similar products are found below :

[003-018-000](#) [60403001](#) [60993906-B](#) [M902-2131](#) [M902-2161](#) [M902-2344](#) [72.330.1035.1](#) [73.353.4028.0](#) [F119300-B](#) [F166900](#) [F258300-B](#)  
[F358300-B](#) [F407400](#) [F444110](#) [F487000](#) [F509500B-B](#) [827153-1](#) [8N1515-32-24P](#) [9-1326729-8](#) [925474-1](#) [928905-1](#) [964562-4](#) [968782-1](#)  
[GT17SA-8DS-HU](#) [98891-1012](#) [98947-1016](#) [12004147](#) [12004475-L](#) [12010290](#) [12010309-B](#) [12015454](#) [12020219-B](#) [12041318-B](#) [12052225-](#)  
[L](#) [12052466](#) [12064869](#) [12004327-B](#) [12015308](#) [12015384](#) [12015909](#) [1-21030-1](#) [12041254](#) [12041318](#) [12047946-B](#) [12047957](#) [12047957-L](#)  
[12059473](#) [12066261](#) [12110546](#) [12110546-B](#)