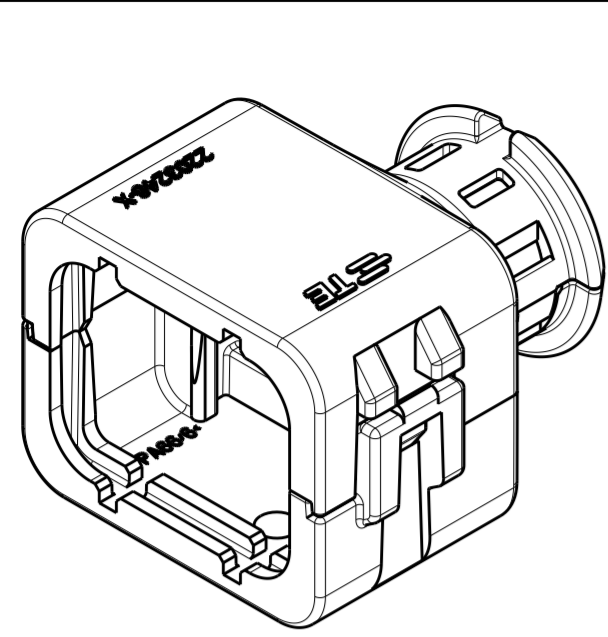
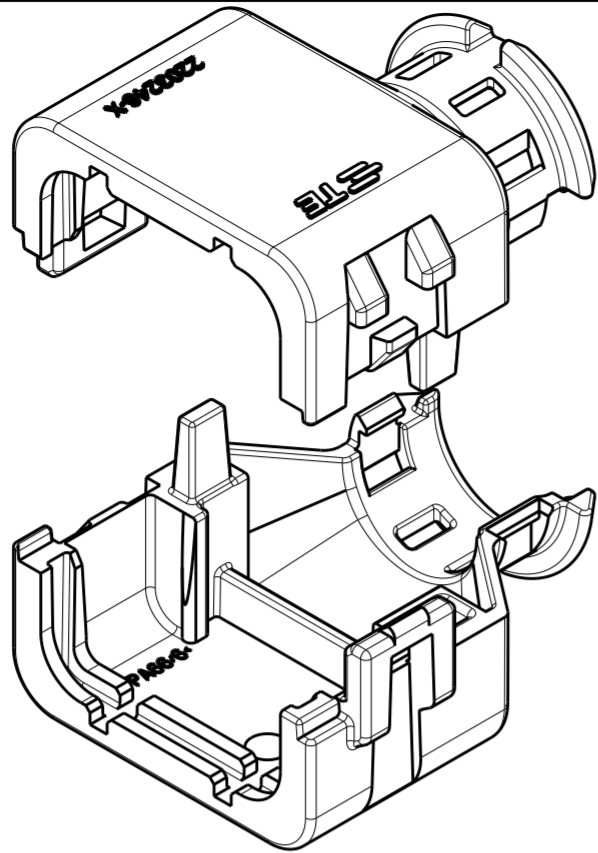


THIS DRAWING IS UNPUBLISHED. RELEASED FOR PUBLICATION 20
 © COPYRIGHT copyright.d8te- ALL RIGHTS RESERVED.

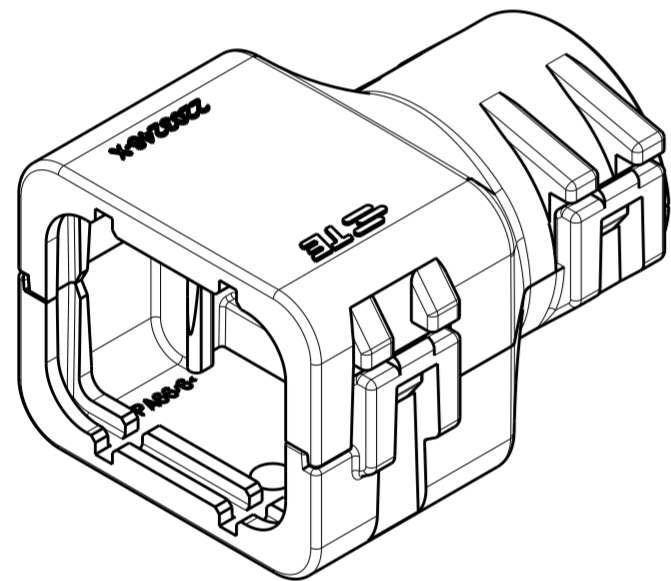
| REVISIONS | | | | | |
|-----------|-----|----------------------------|-----------|-----|------|
| P | LTR | DESCRIPTION | DATE | DWN | APVD |
| | A | RELEASED PER ECO-15-010501 | 17JUL2015 | JM | RB |
| | A1 | REV PER ECO-16-008350 | 02JUN2016 | JM | RB |
| | A2 | REV PER ECO-16-013256 | 08SEP2016 | JM | RB |



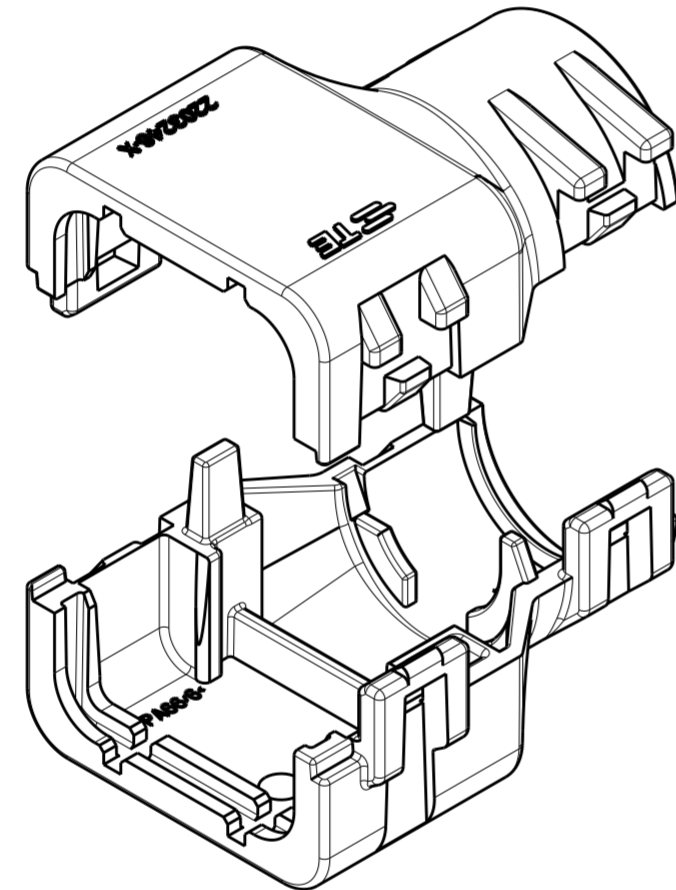
2292863-1
ASSEMBLED ISOMETRIC VIEW SHOWN



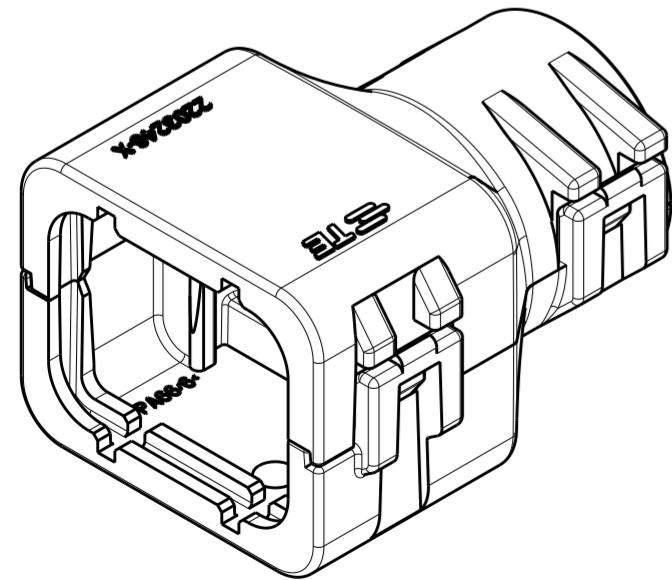
2292863-1
EXPLODED ISOMETRIC VIEW SHOWN



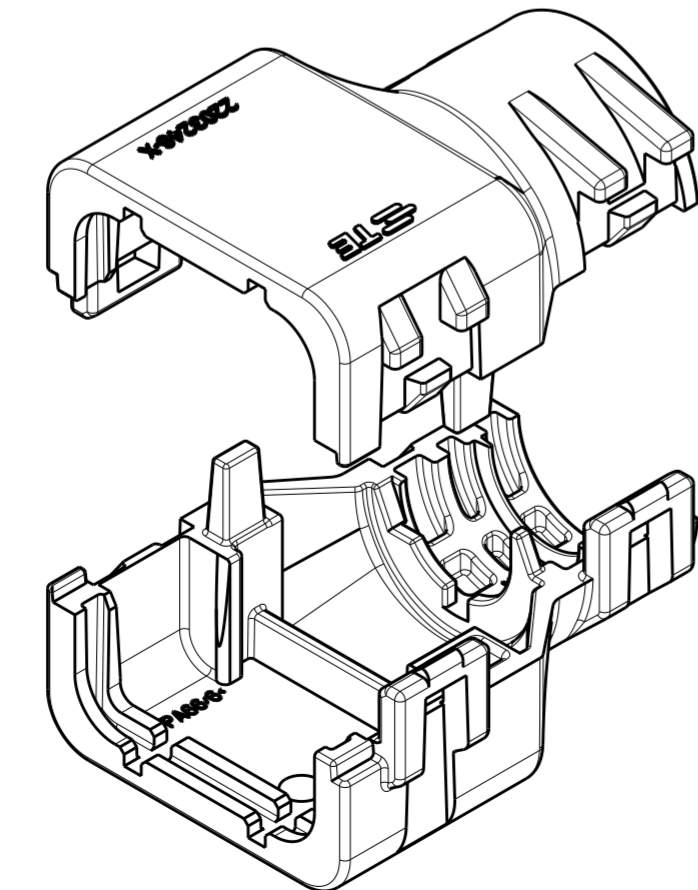
2292863-2
ASSEMBLED ISOMETRIC VIEW SHOWN



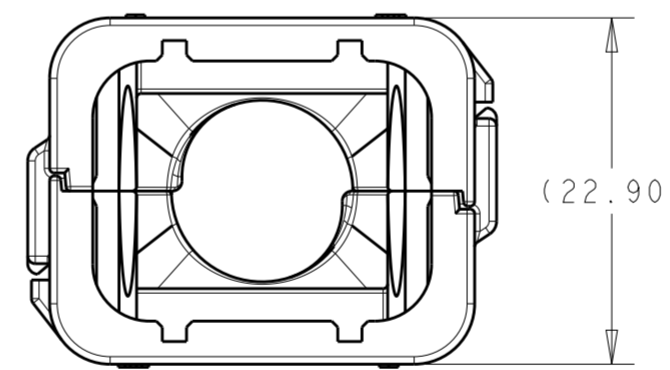
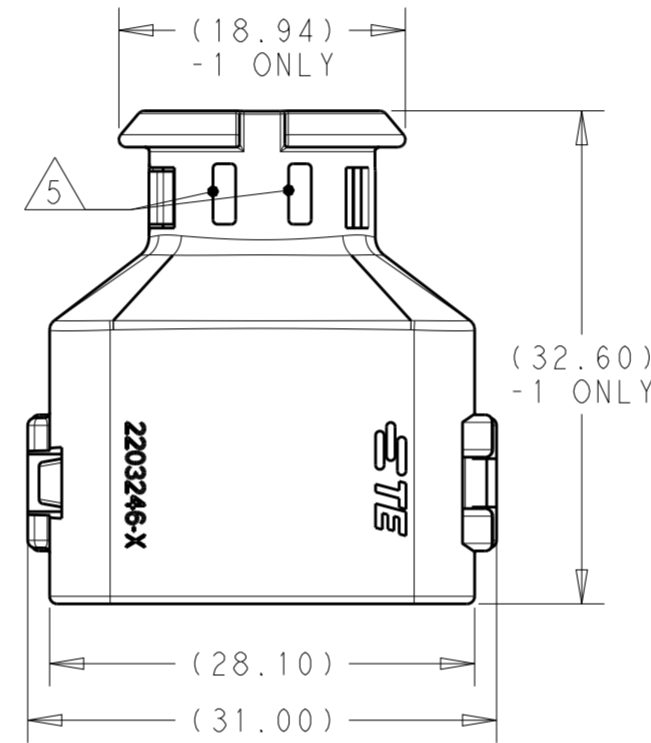
2292863-2
EXPLODED ISOMETRIC VIEW SHOWN



2292863-3
ASSEMBLED ISOMETRIC VIEW SHOWN

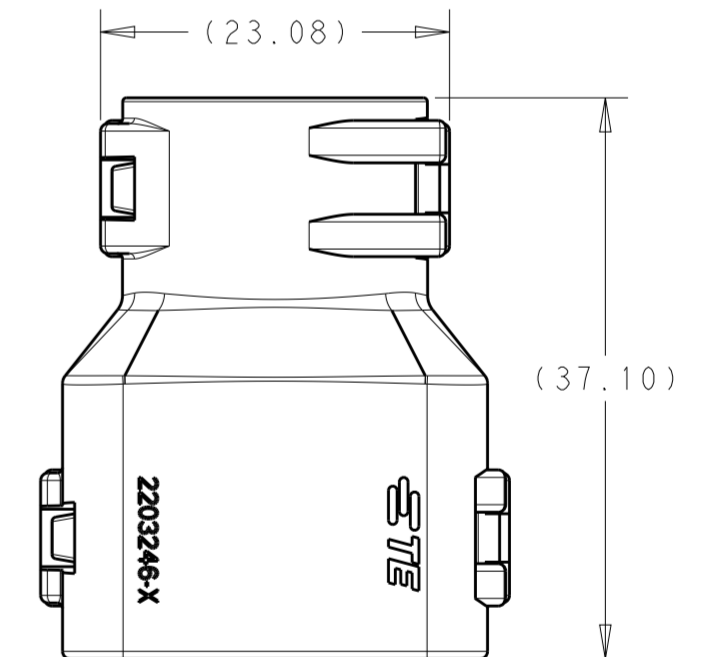
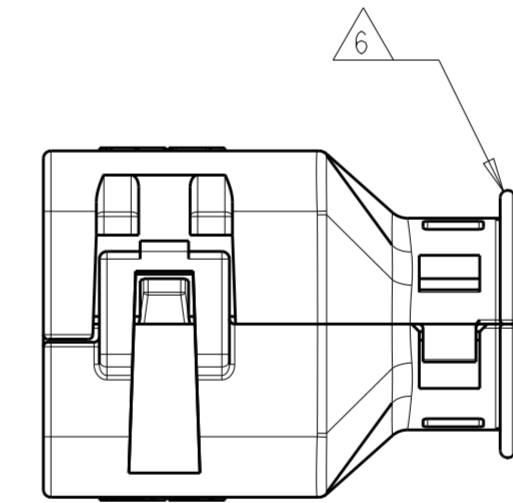


2292863-3
EXPLODED ISOMETRIC VIEW SHOWN



2292863-1
ASSEMBLED VIEW SHOWN

DIMENSIONS SHOWN TYPICAL FOR ALL PART NUMBERS ³
EXCEPT AS NOTED



2292863-2
ASSEMBLED VIEW SHOWN

DIMENSIONS SHOWN TYPICAL FOR -2 AND -3 ONLY ³

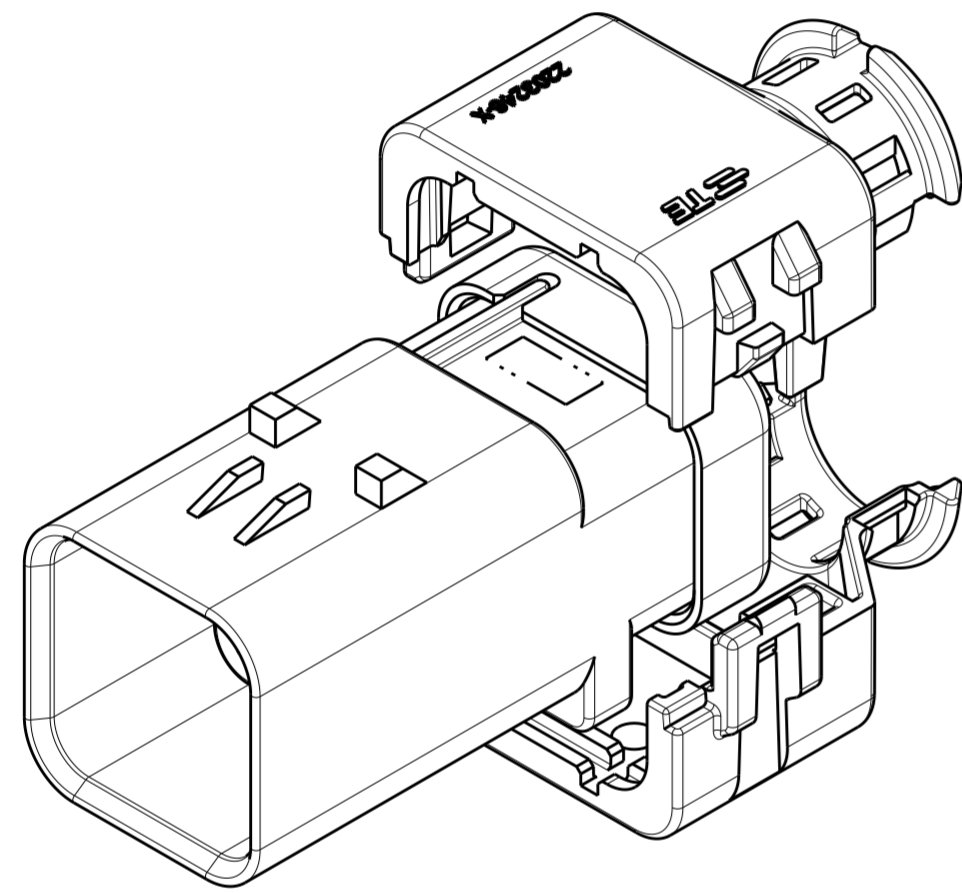
- ¹ MATERIAL: NYLON MOLDING COMPOUND, BLACK, PA66/6.
- ² BACKSHELL DESIGNED SUCH THAT TWO HALVES ATTACH TO ONE ANOTHER AND CLAMP AROUND THE CONNECTOR COVER.
- ³ DIMENSIONS TO BE MEASURED WHEN BACKSHELLS ASSEMBLED.
- ⁴ PRODUCT WEIGHTS:
2292863-1: 5.34g ASSEMBLED
2292863-2: 6.72g ASSEMBLED
2292863-3: 7.30g ASSEMBLED
- ⁵ 4mm WIDE SLOTS FOR TIE WRAP TO SECURE HARNESS WIRES (-1 ONLY).
- ⁶ HEAT SHRINK TUBING RETENTION FEATURE (-1 ONLY).
- 7. INSTRUCTION SHEET: 408-151043.
- 8. CONDUIT PROFILE: NORMAL ONLY.

| | | | |
|------------------|--------------|--------------|-------------|
| 776434-X | NC12 | NW10 | 2292863-3 |
| 776537-X | NC16 | NW13 | 2292863-2 |
| | SMOOTH | SMOOTH | 2292863-1 |
| FITS ON CAP ASSY | CORREGATE NC | CORREGATE NW | PART NUMBER |
| | CONDUIT SIZE | | |

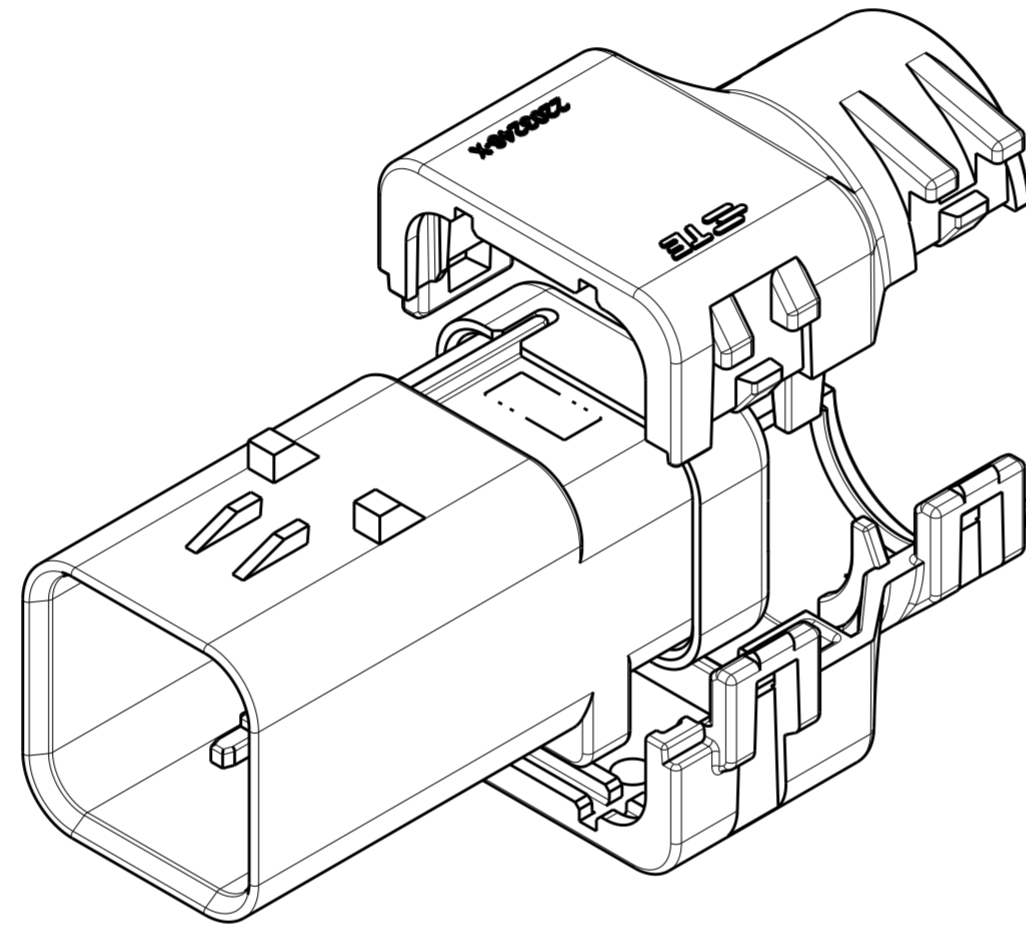
| | | | | |
|--|----------|-------------------------|--|---------------|
| THIS DRAWING IS A CONTROLLED DOCUMENT. | | DWN J MCNEAL 09JUN2015 | STE TE Connectivity | |
| DIMENSIONS: mm [INCHES] | | CHK R BALTER 09JUN2015 | | |
| TOLERANCES UNLESS OTHERWISE SPECIFIED: | | APVD R BALTER 09JUN2015 | NAME BACKSHELL KIT, 6 POSITION, CAP ASSY, AMPSEAL 16 | |
| 0 PLC ± | 1 PLC ± | PRODUCT SPEC 108-151043 | SIZE | RESTRICTED TO |
| 2 PLC ± | 3 PLC ± | APPLICATION SPEC | CAGE CODE | |
| 4 PLC ± | ANGLES ± | WEIGHT ⁴ | DRAWING NO | |
| FINISH | | CUSTOMER DRAWING | A200779 | |
| | | SCALE 2:1 | DWG NO C-2292863 | |
| | | SHEET 1 OF 2 | REV A2 | |

THIS DRAWING IS UNPUBLISHED. RELEASED FOR PUBLICATION 20
 © COPYRIGHT copyright.d8te- ALL RIGHTS RESERVED.

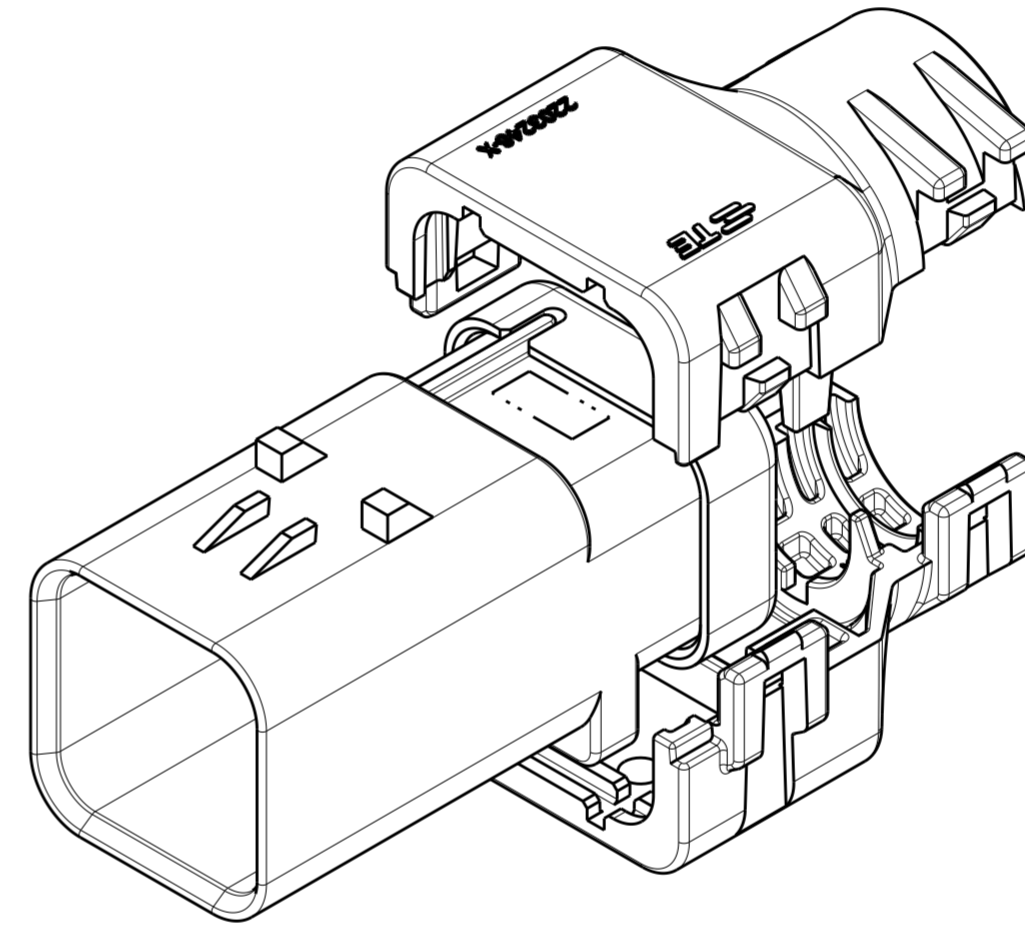
| REVISIONS | | | | |
|-----------|-----|-------------|------|------|
| P | LTR | DESCRIPTION | DATE | APVD |
| - | | SEE SHEET 1 | - | - |
| | | | | |
| | | | | |




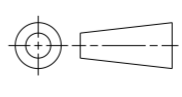
2292863-1
 WITH CAP ASSEMBLY 2
 EXPLODED ISOMETRIC VIEW SHOWN



2292863-2
 WITH CAP ASSEMBLY 2
 EXPLODED ISOMETRIC VIEW SHOWN



2292863-3
 WITH CAP ASSEMBLY 2
 EXPLODED ISOMETRIC VIEW SHOWN

| | | | |
|---|--------|----------------------------------|---|
| THIS DRAWING IS A CONTROLLED DOCUMENT. | | DWN J. MCNEAL 09 JUN 2015 |  TE Connectivity |
| DIMENSIONS: mm [INCHES] | | CHK R. BALTER 09 JUN 2015 | |
|  | | APVD R. BALTER 09 JUN 2015 | |
| TOLERANCES UNLESS OTHERWISE SPECIFIED: | | PRODUCT SPEC 108-151043 | |
| MATERIAL | FINISH | APPLICATION SPEC | RESTRICTED TO |
| - | - | WEIGHT | SIZE CAGE CODE DRAWING NO |
| - | - | CUSTOMER DRAWING | A200779 C-2292863 |
| | | SCALE 2:1 | SHEET 2 OF 2 REV A2 |

X-ON Electronics

Largest Supplier of Electrical and Electronic Components

Click to view similar products for [Automotive Connectors](#) category:

Click to view products by [TE Connectivity](#) manufacturer:

Other Similar products are found below :

[003-018-000](#) [60403001](#) [60993906-B](#) [M902-2131](#) [M902-2161](#) [72.330.1035.1](#) [73.353.4028.0](#) [F119300-B](#) [F166900](#) [F258300-B](#) [F358300-B](#)
[F407400](#) [F444110](#) [F487000](#) [F509500B-B](#) [827153-1](#) [8N1515-32-24P](#) [9-1326729-8](#) [925474-1](#) [928905-1](#) [964562-4](#) [968782-1](#) [GT17SA-8DS-](#)
[HU](#) [98891-1012](#) [98947-1016](#) [12004147](#) [12004475-L](#) [12010290](#) [12010309-B](#) [12015454](#) [12020219-B](#) [12020308](#) [12041318-B](#) [12052225-L](#)
[12052466](#) [12059125](#) [12064869](#) [12004327-B](#) [12010503-B](#) [12015308](#) [12015384](#) [12015909](#) [1-21030-1](#) [12041254](#) [12041318](#) [12047946-B](#)
[12047957](#) [12047957-L](#) [12059473](#) [12066261](#)