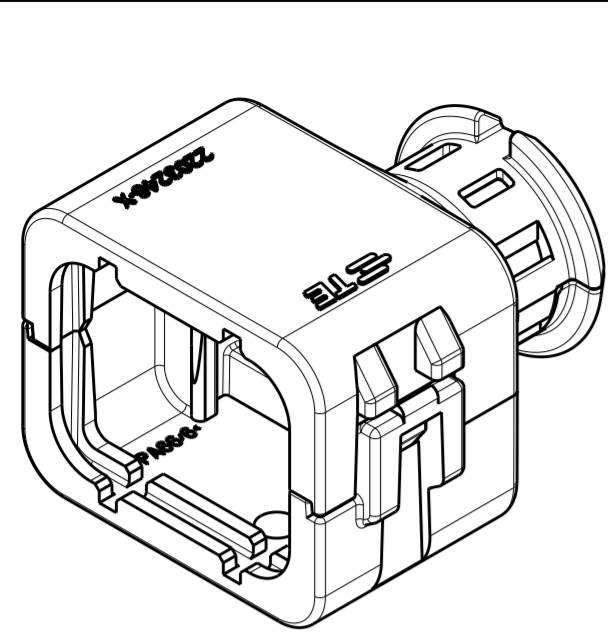
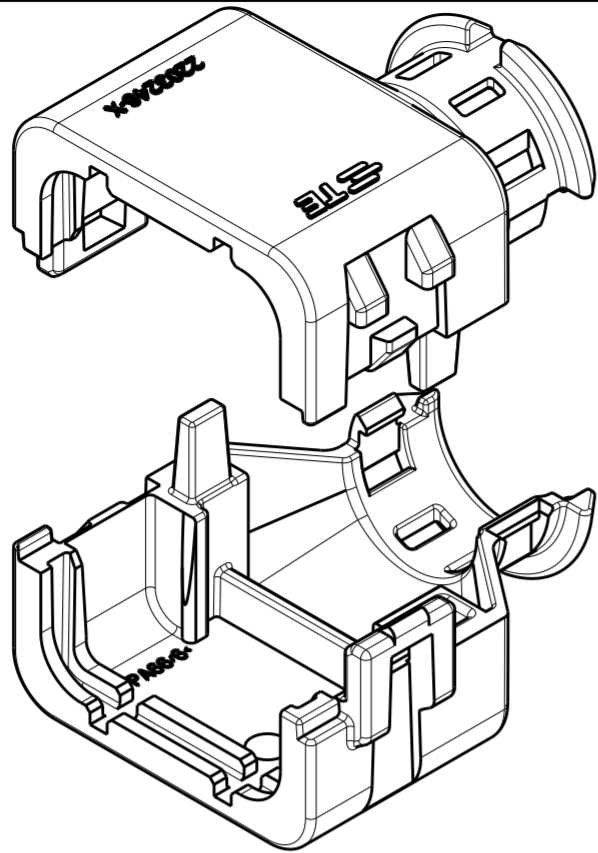


THIS DRAWING IS UNPUBLISHED. RELEASED FOR PUBLICATION 20
 © COPYRIGHT copyright.d8te- ALL RIGHTS RESERVED.

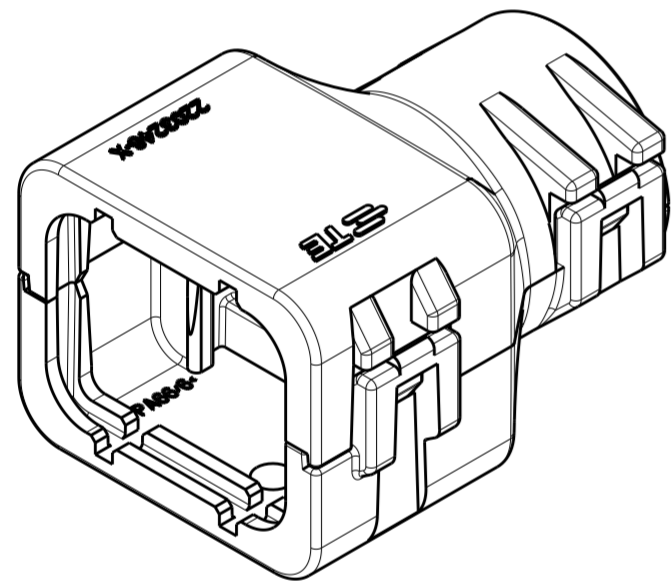
REVISIONS				
P	LTR	DESCRIPTION	DATE	APVD
A		RELEASED PER ECO-15-010501	17JUL2015	JM RB
A1		REV PER ECO-16-008350	02JUN2016	JM RB
A2		REV PER ECO-16-013256	08SEP2016	JM RB



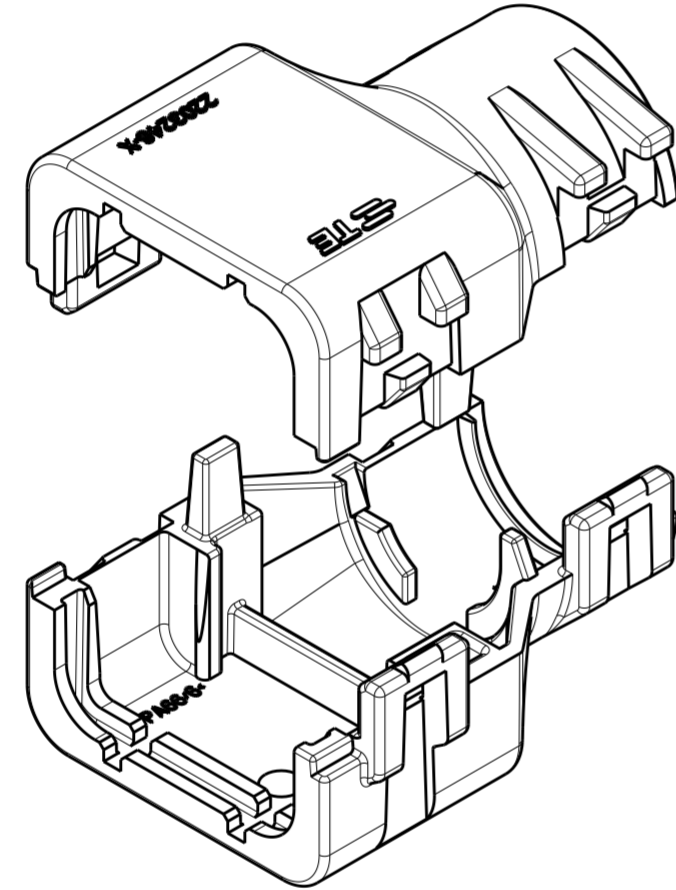
2292863-1
ASSEMBLED ISOMETRIC VIEW SHOWN



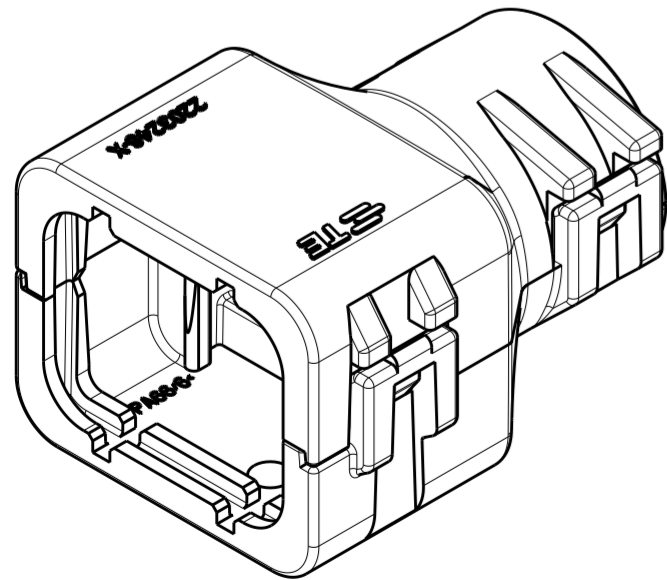
2292863-1
EXPLODED ISOMETRIC VIEW SHOWN



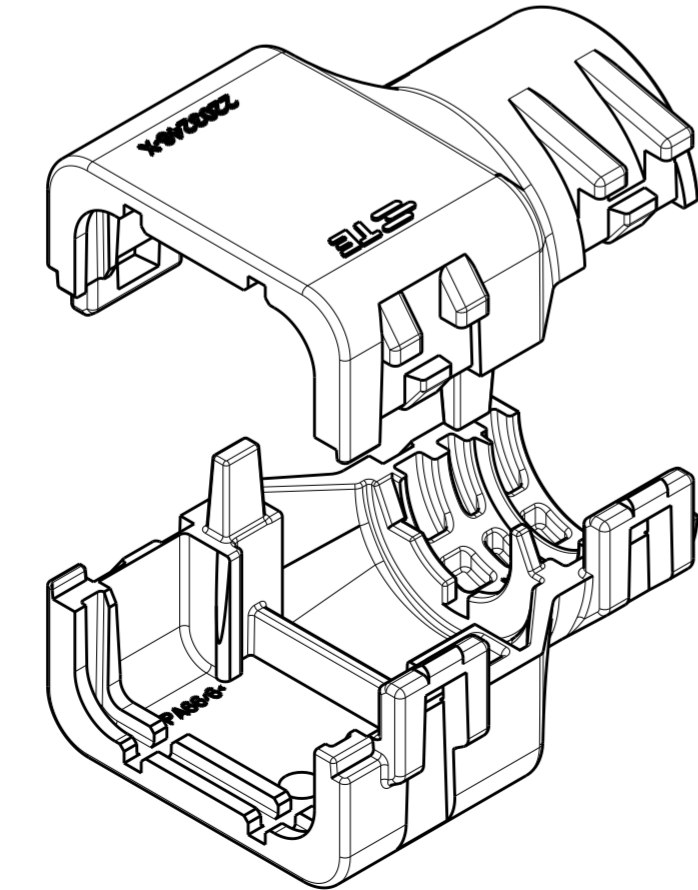
2292863-2
ASSEMBLED ISOMETRIC VIEW SHOWN



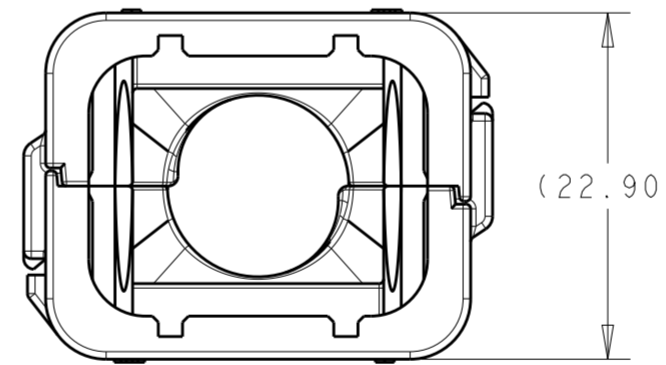
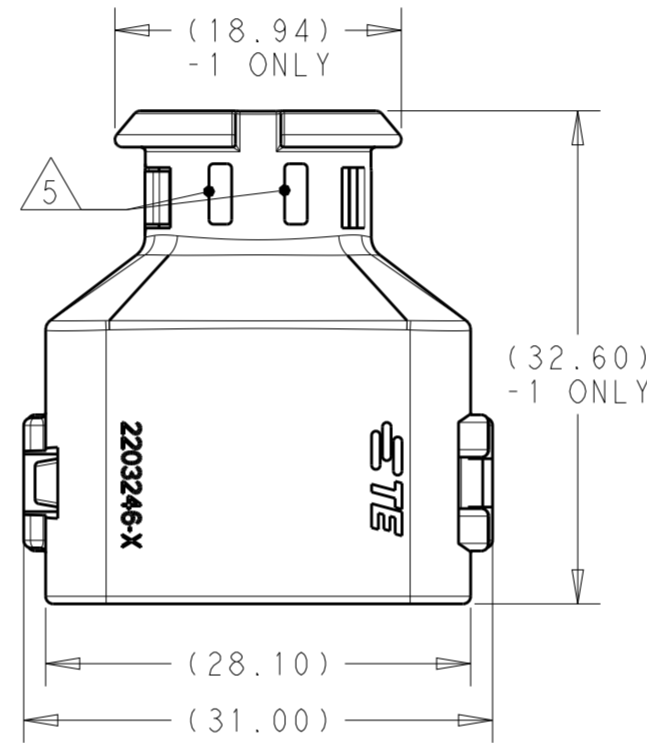
2292863-2
EXPLODED ISOMETRIC VIEW SHOWN



2292863-3
ASSEMBLED ISOMETRIC VIEW SHOWN

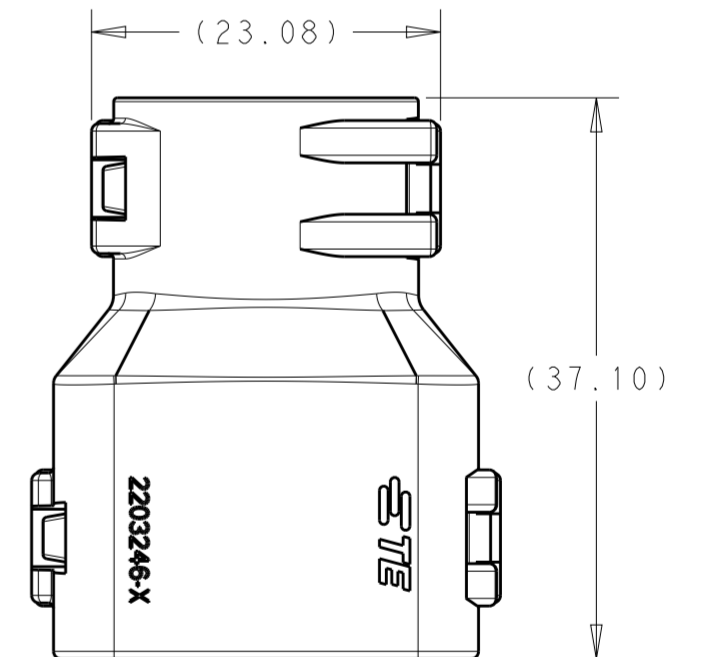
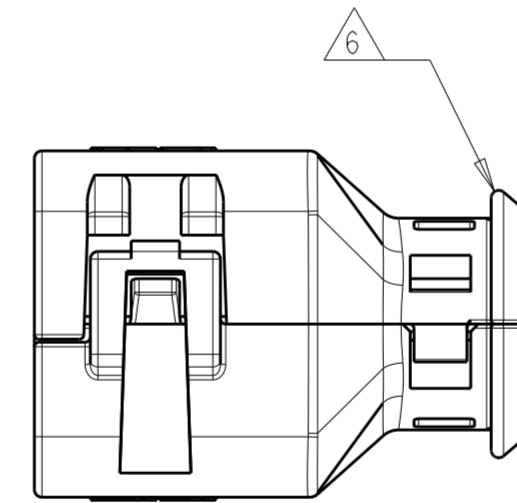


2292863-3
EXPLODED ISOMETRIC VIEW SHOWN



2292863-1
ASSEMBLED VIEW SHOWN

DIMENSIONS SHOWN TYPICAL FOR ALL PART NUMBERS ³
EXCEPT AS NOTED



2292863-2
ASSEMBLED VIEW SHOWN

DIMENSIONS SHOWN TYPICAL FOR -2 AND -3 ONLY ³

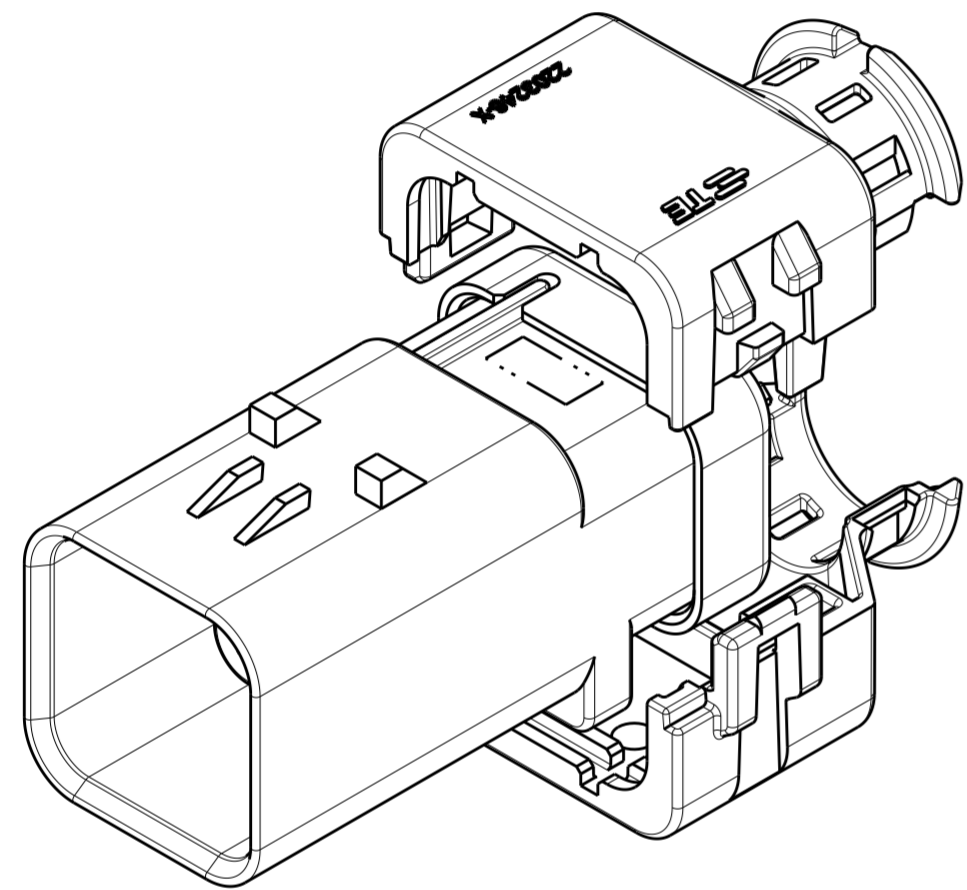
- ¹ MATERIAL: NYLON MOLDING COMPOUND, BLACK, PA66/6.
- ² BACKSHELL DESIGNED SUCH THAT TWO HALVES ATTACH TO ONE ANOTHER AND CLAMP AROUND THE CONNECTOR COVER.
- ³ DIMENSIONS TO BE MEASURED WHEN BACKSHELLS ASSEMBLED.
- ⁴ PRODUCT WEIGHTS:
2292863-1: 5.34g ASSEMBLED
2292863-2: 6.72g ASSEMBLED
2292863-3: 7.30g ASSEMBLED
- ⁵ 4mm WIDE SLOTS FOR TIE WRAP TO SECURE HARNESS WIRES (-1 ONLY).
- ⁶ HEAT SHRINK TUBING RETENTION FEATURE (-1 ONLY).
- 7. INSTRUCTION SHEET: 408-151043.
- 8. CONDUIT PROFILE: NORMAL ONLY.

776434-X	NC12	NW10	2292863-3
776537-X	NC16	NW13	2292863-2
	SMOOTH	SMOOTH	2292863-1
FITS ON CAP ASSY	CORREGATE NC	CORREGATE NW	PART NUMBER
	CONDUIT SIZE		

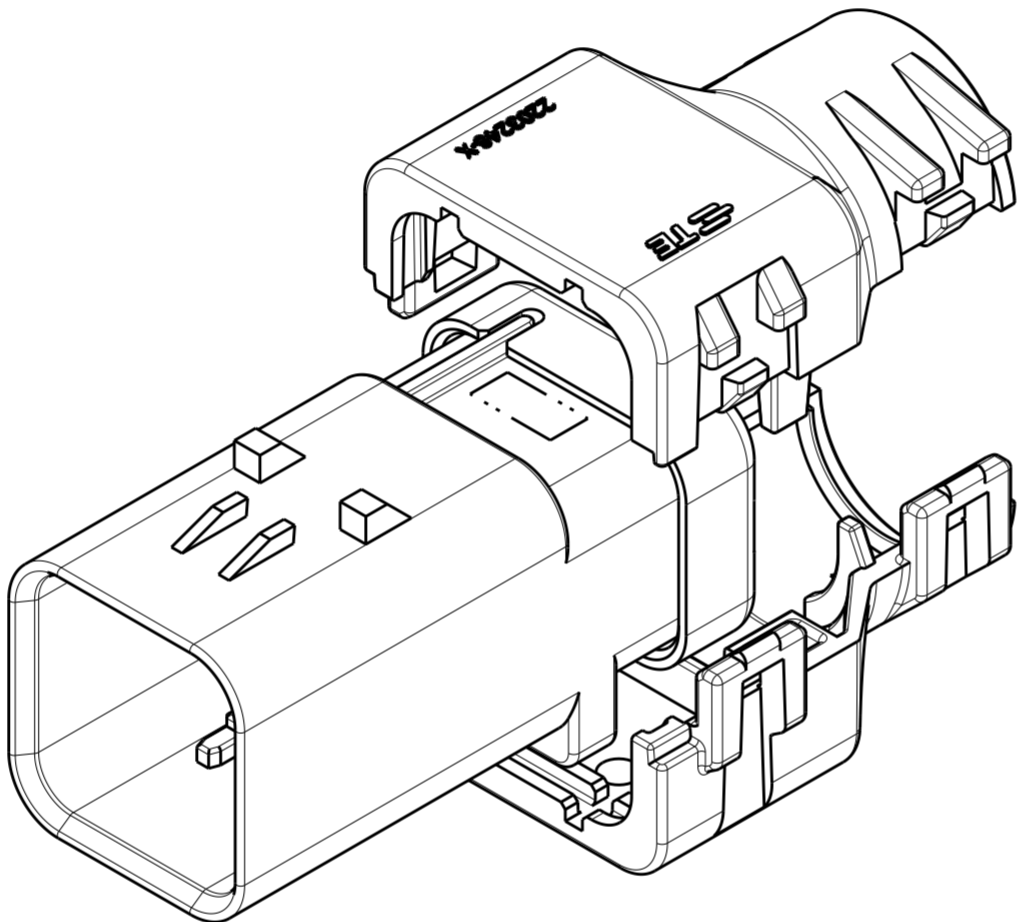
THIS DRAWING IS A CONTROLLED DOCUMENT.		DWN J MCNEAL 09JUN2015	STE TE Connectivity	
DIMENSIONS: mm [INCHES]		CHK R BALTER 09JUN2015		
TOLERANCES UNLESS OTHERWISE SPECIFIED:		APVD R BALTER 09JUN2015	NAME BACKSHELL KIT, 6 POSITION, CAP ASSY, AMPSEAL 16	
0 PLC ±	1 PLC ±	PRODUCT SPEC 108-151043	SIZE	RESTRICTED TO
2 PLC ±	3 PLC ±	APPLICATION SPEC	CAGE CODE	
4 PLC ±	ANGLES ±	WEIGHT ⁴	DRAWING NO	
FINISH		CUSTOMER DRAWING	A200779	
		SCALE 2:1	C-2292863	
		SHEET 1 OF 2	REV A2	

THIS DRAWING IS UNPUBLISHED. RELEASED FOR PUBLICATION 20
 © COPYRIGHT copyright.d8te- ALL RIGHTS RESERVED.

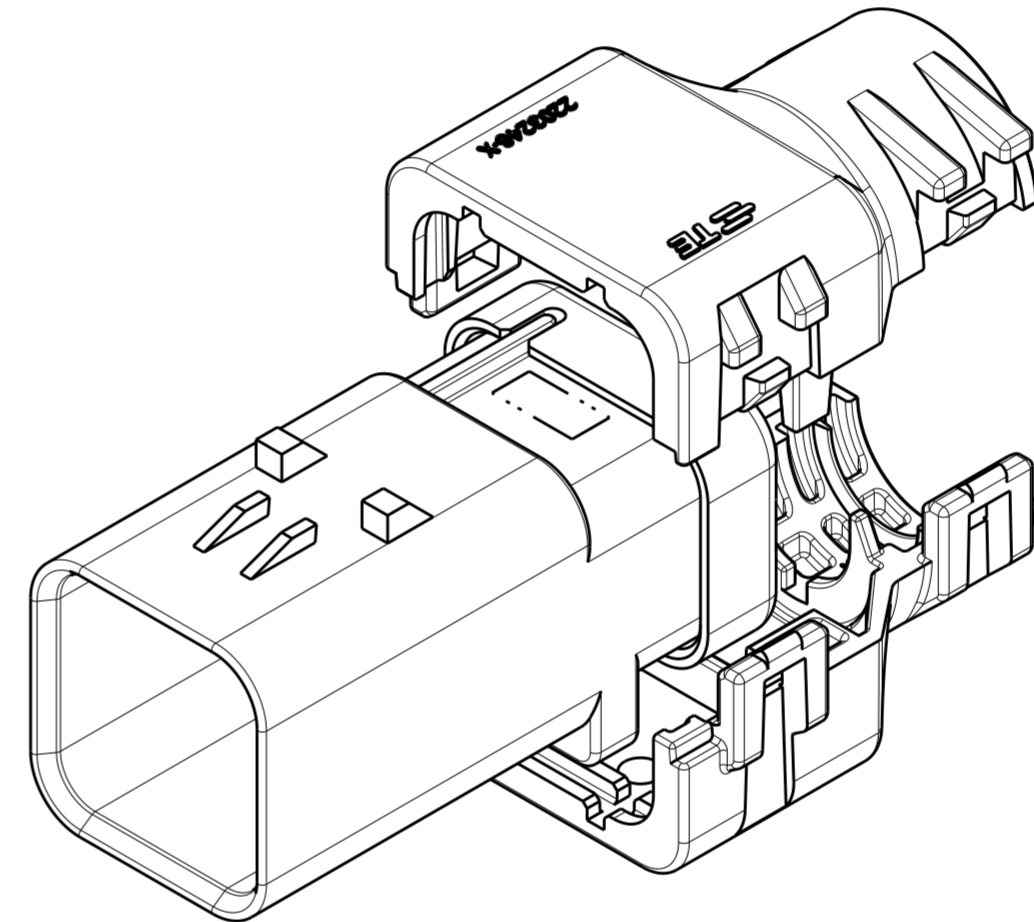
REVISIONS				
P	LTR	DESCRIPTION	DATE	APVD
-		SEE SHEET 1	-	-




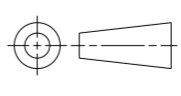
2292863-1
 WITH CAP ASSEMBLY 2
 EXPLODED ISOMETRIC VIEW SHOWN



2292863-2
 WITH CAP ASSEMBLY 2
 EXPLODED ISOMETRIC VIEW SHOWN



2292863-3
 WITH CAP ASSEMBLY 2
 EXPLODED ISOMETRIC VIEW SHOWN

THIS DRAWING IS A CONTROLLED DOCUMENT.		DWN J. MCNEAL 09 JUN 2015	 TE Connectivity	
DIMENSIONS: mm [INCHES]		CHK R. BALTER 09 JUN 2015		
TOLERANCES UNLESS OTHERWISE SPECIFIED:		APVD R. BALTER 09 JUN 2015	NAME BACKSHELL KIT, 6 POSITION, CAP ASSY, AMPSEAL 16	
		PRODUCT SPEC 108-151043	RESTRICTED TO	
MATERIAL		APPLICATION SPEC	SIZE A200779	CAGE CODE C-2292863
FINISH		WEIGHT	DRAWING NO 2292863	
		CUSTOMER DRAWING	SCALE 2:1	SHEET 2 OF 2
			REV A2	

X-ON Electronics

Largest Supplier of Electrical and Electronic Components

Click to view similar products for [Automotive Connectors](#) category:

Click to view products by [TE Connectivity](#) manufacturer:

Other Similar products are found below :

[003-018-000](#) [60403001](#) [60993906-B](#) [M902-2131](#) [M902-2161](#) [72.330.1035.1](#) [73.353.4028.0](#) [F119300-B](#) [F166900](#) [F258300-B](#) [F358300-B](#)
[F407400](#) [F444110](#) [F487000](#) [F509500B-B](#) [827153-1](#) [8N1515-32-24P](#) [9-1326729-8](#) [925474-1](#) [928905-1](#) [964562-4](#) [968782-1](#) [GT17SA-8DS-](#)
[HU](#) [98891-1012](#) [98947-1016](#) [12004147](#) [12004475-L](#) [12010290](#) [12010309-B](#) [12015454](#) [12020219-B](#) [12020308](#) [12041318-B](#) [12052225-L](#)
[12052466](#) [12059125](#) [12064869](#) [12004327-B](#) [12010503-B](#) [12015308](#) [12015384](#) [12015909](#) [1-21030-1](#) [12041254](#) [12041318](#) [12047946-B](#)
[12047957](#) [12047957-L](#) [12059473](#) [12066261](#)