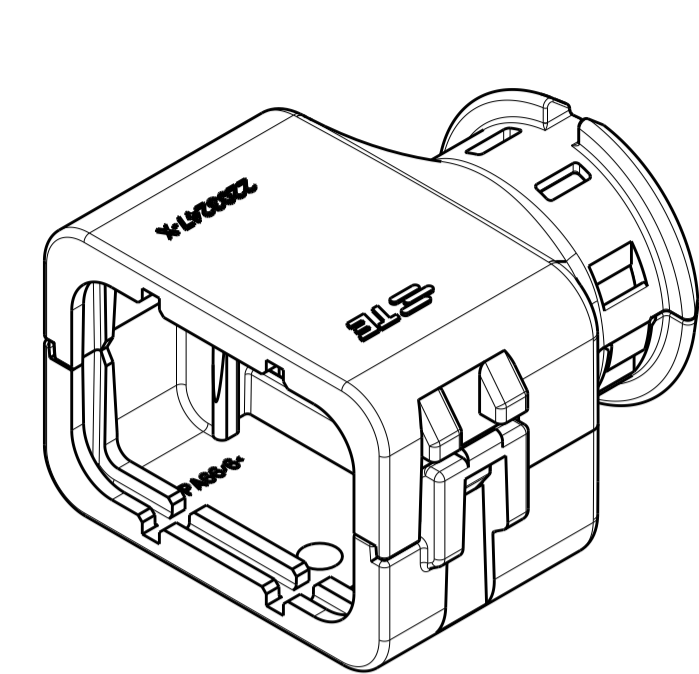
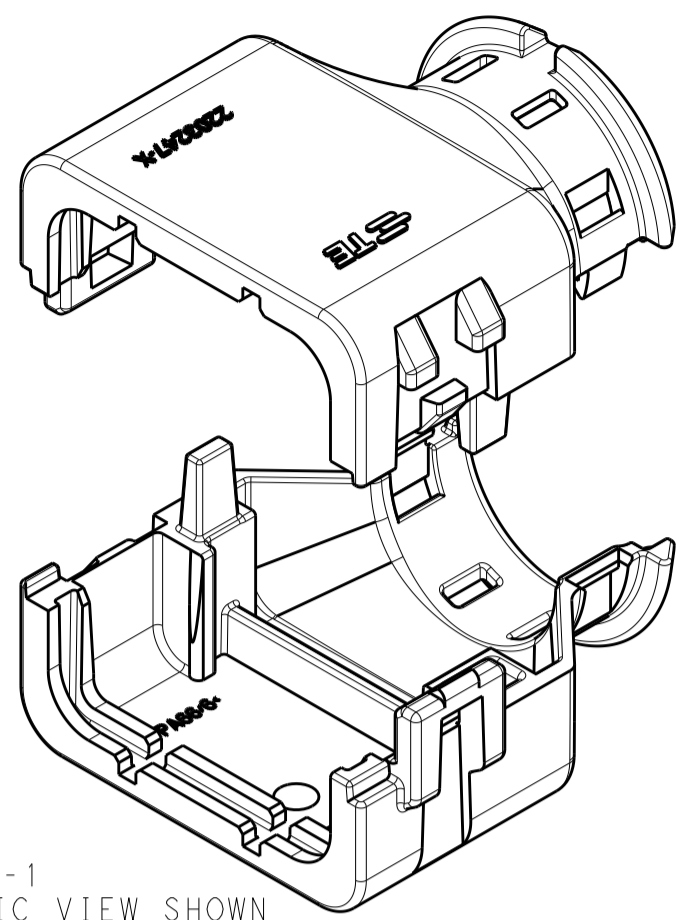


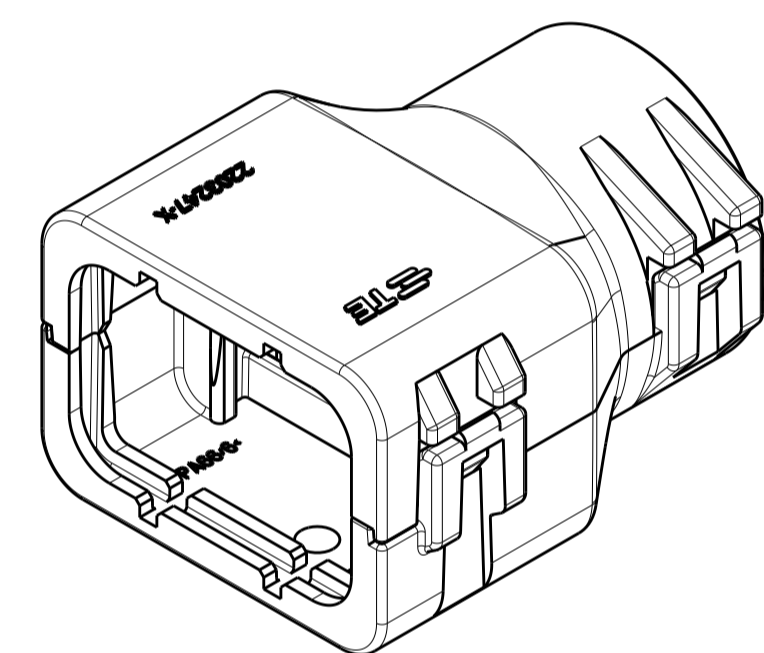
REVISIONS				
P.	LTN	DESCRIPTION	DATE	APVD
A1		REV PER ECO-16-008350	02JUN2016	JM RB
A2		REV PER ECO-16-013256	08SEP2016	JM RB



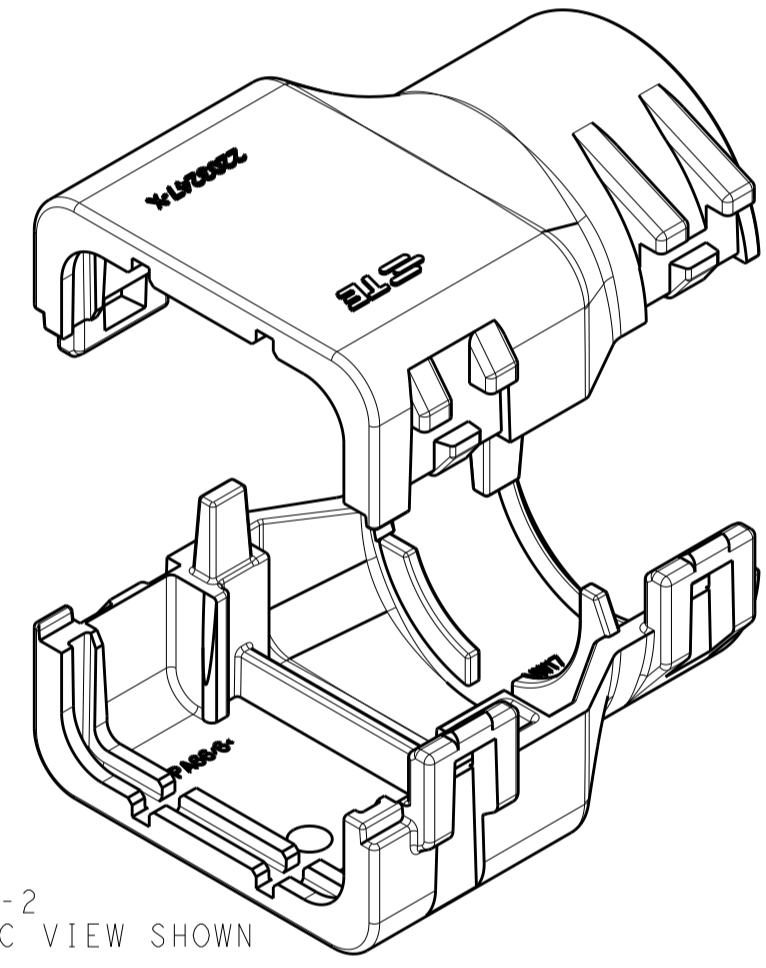
2292864-1
ASSEMBLED ISOMETRIC VIEW SHOWN



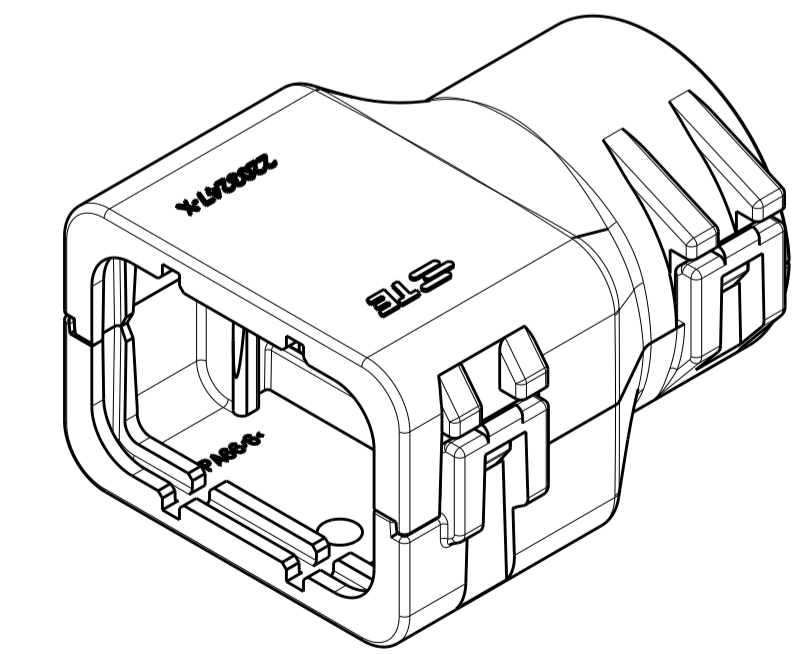
2292864-1
EXPLODED ISOMETRIC VIEW SHOWN



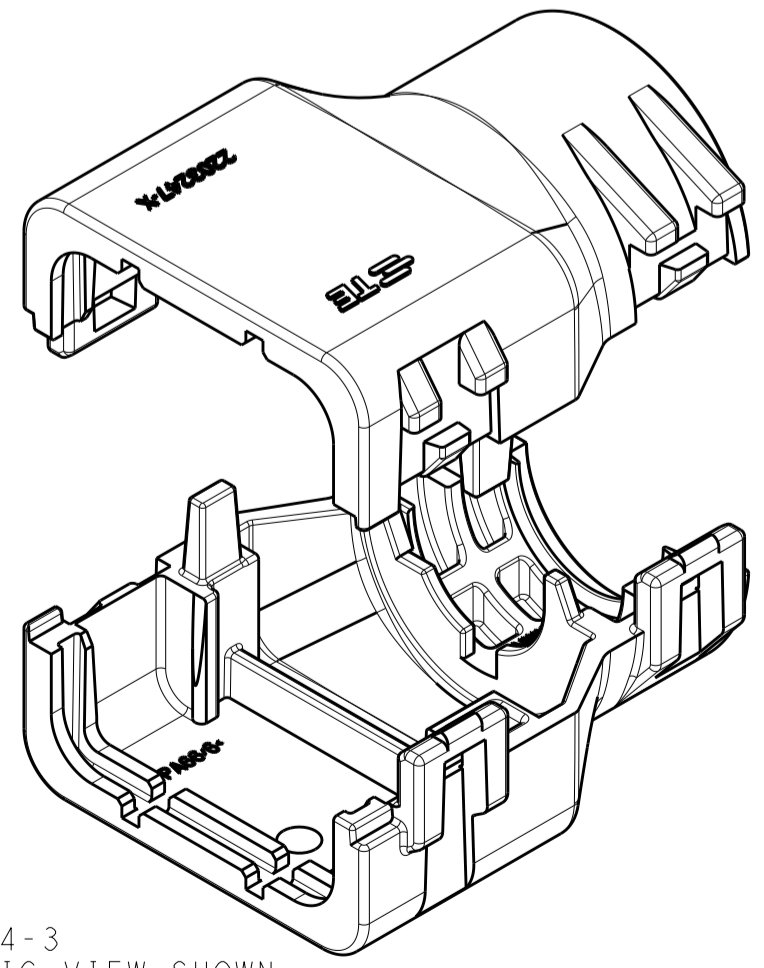
2292864-2
ASSEMBLED ISOMETRIC VIEW SHOWN



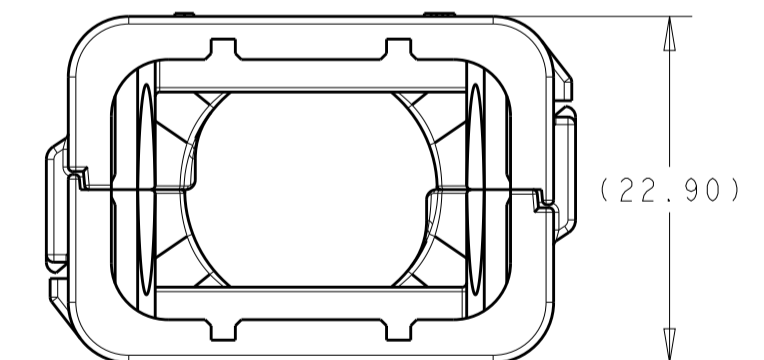
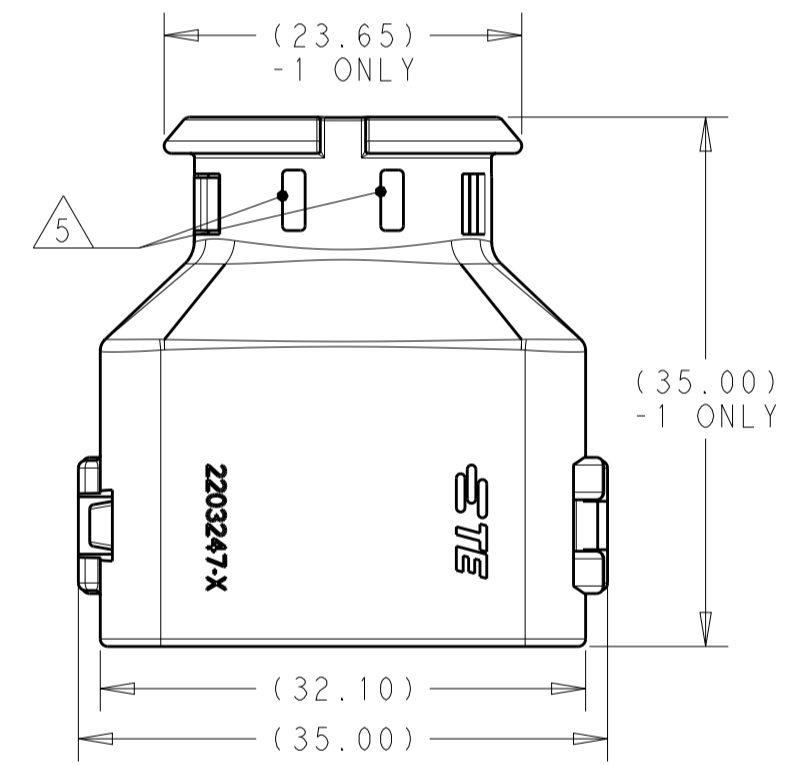
2292864-2
EXPLODED ISOMETRIC VIEW SHOWN



2292864-3
ASSEMBLED ISOMETRIC VIEW SHOWN

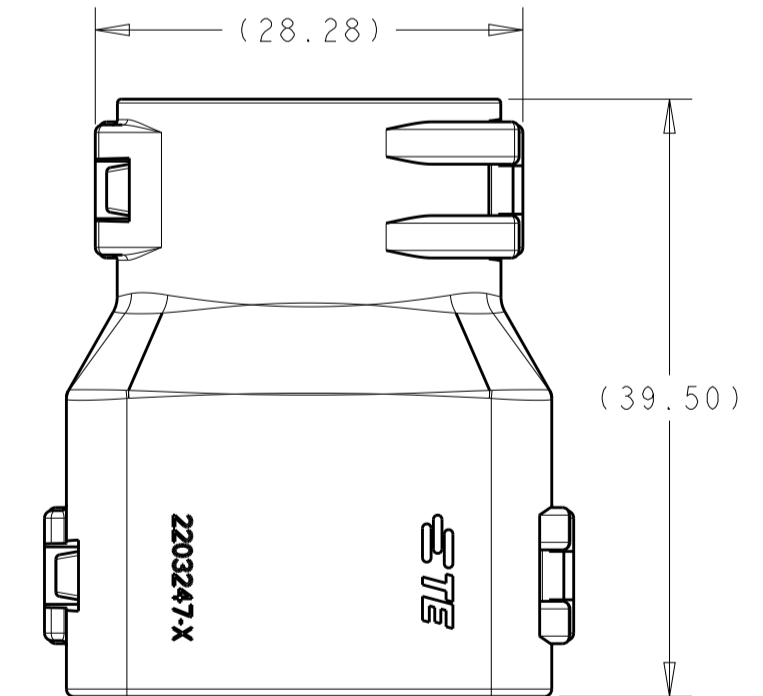
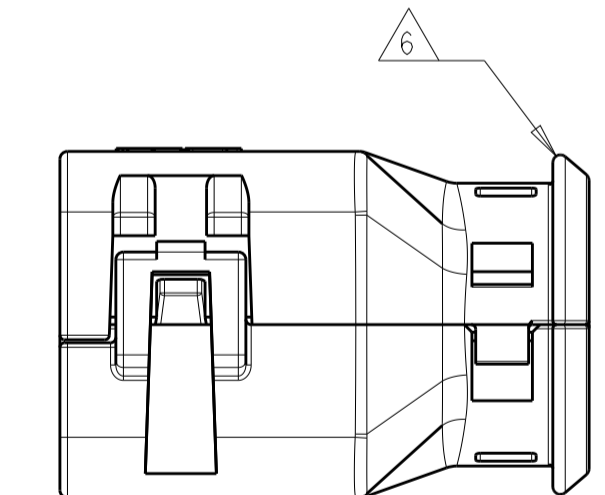


2292864-3
EXPLODED ISOMETRIC VIEW SHOWN



2292864-1
ASSEMBLED VIEW SHOWN

DIMENSIONS SHOWN TYPICAL FOR ALL PART NUMBERS ³
EXCEPT AS NOTED



2292864-2
ASSEMBLED VIEW SHOWN

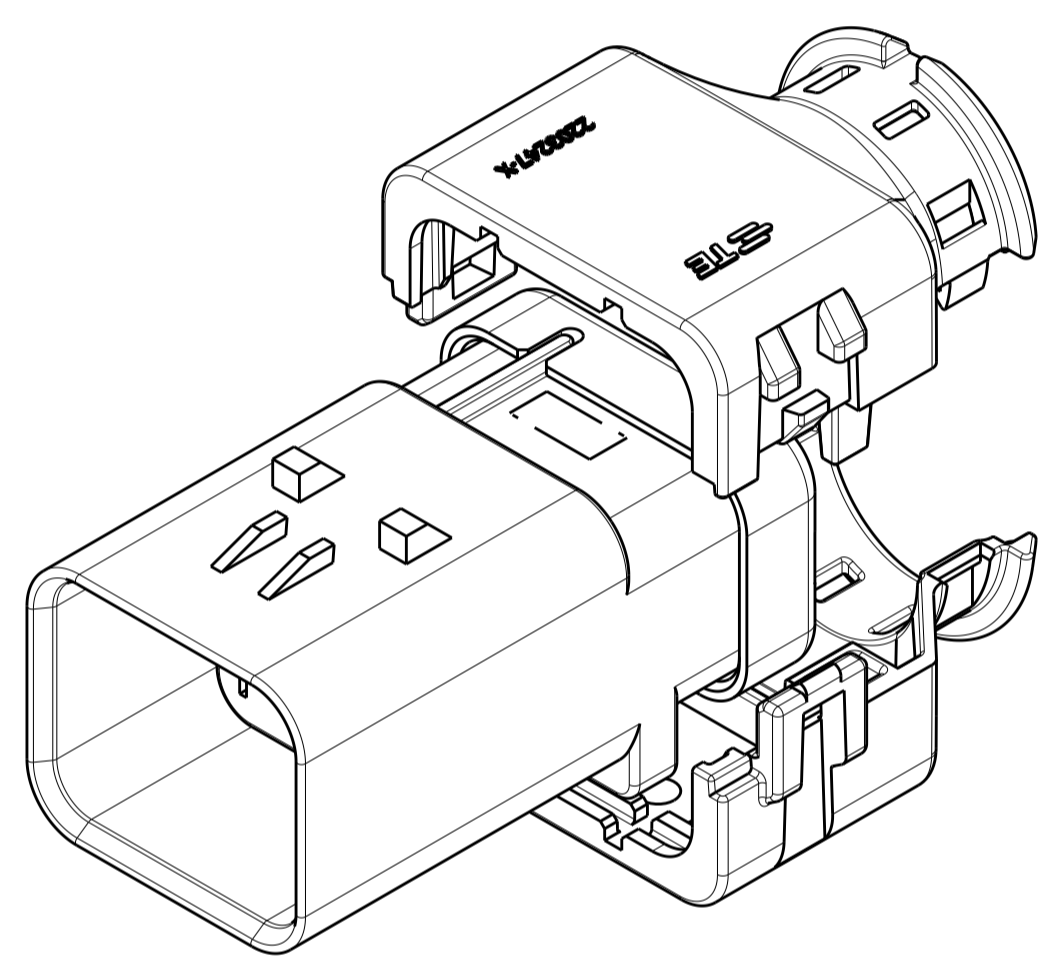
DIMENSIONS SHOWN TYPICAL FOR -2 AND -3 ONLY ³


- ¹ MATERIAL: NYLON MOLDING COMPOUND, BLACK, PA66/6.
- ² BACKSHELL DESIGNED SUCH THAT TWO HALVES ATTACH TO ONE ANOTHER AND CLAMP AROUND THE CONNECTOR COVER.
- ³ DIMENSIONS TO BE MEASURED WHEN BACKSHELLS ASSEMBLED.
- ⁴ PRODUCT WEIGHTS:
2292864-1: 6.30g ASSEMBLED
2292864-2: 7.98g ASSEMBLED
2292864-3: 9.30g ASSEMBLED
- ⁵ 4mm WIDE SLOTS FOR TIE WRAP TO SECURE HARNESS WIRES (-1 ONLY).
- ⁶ HEAT SHRINK TUBING RETENTION FEATURE (-1 ONLY).
- 7. INSTRUCTION SHEET: 408-151043.
- 8. CONDUIT PROFILE: NORMAL ONLY.

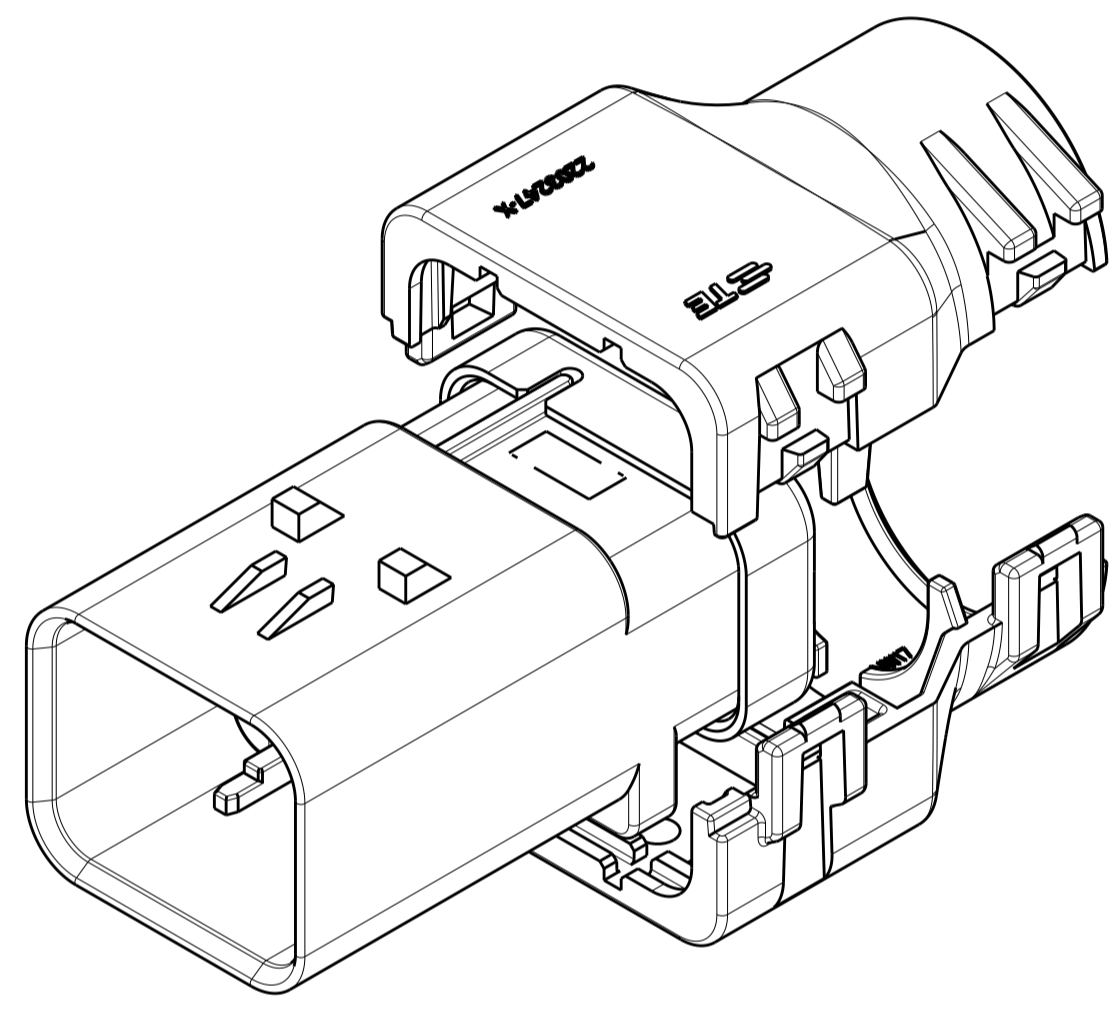
776495-X	NC16	NW13	2292864-3
776538-X	NC20	NW17	2292864-2
	SMOOTH	SMOOTH	2292864-1
FITS ON CAP ASSY	CORREGATE NC	CORREGATE NW	PART NUMBER
	CONDUIT SIZE		


THIS DRAWING IS A CONTROLLED DOCUMENT.		DWN J MCNEAL 19JUN2015 CHK R BALTER 19JUN2015 APVD R BALTER 19JUN2015	TE Connectivity NAME BACKSHELL KIT, 8 POSITION, CAP ASSY AMPSEAL 16
DIMENSIONS: mm [INCHES]	TOLERANCES UNLESS OTHERWISE SPECIFIED: 0 PLC ± 1 PLC ± 2 PLC ± 3 PLC ± 4 PLC ± ANGLES ± FINISH ±	PRODUCT SPEC 108-151043 APPLICATION SPEC WEIGHT ⁴ MATERIAL ¹	

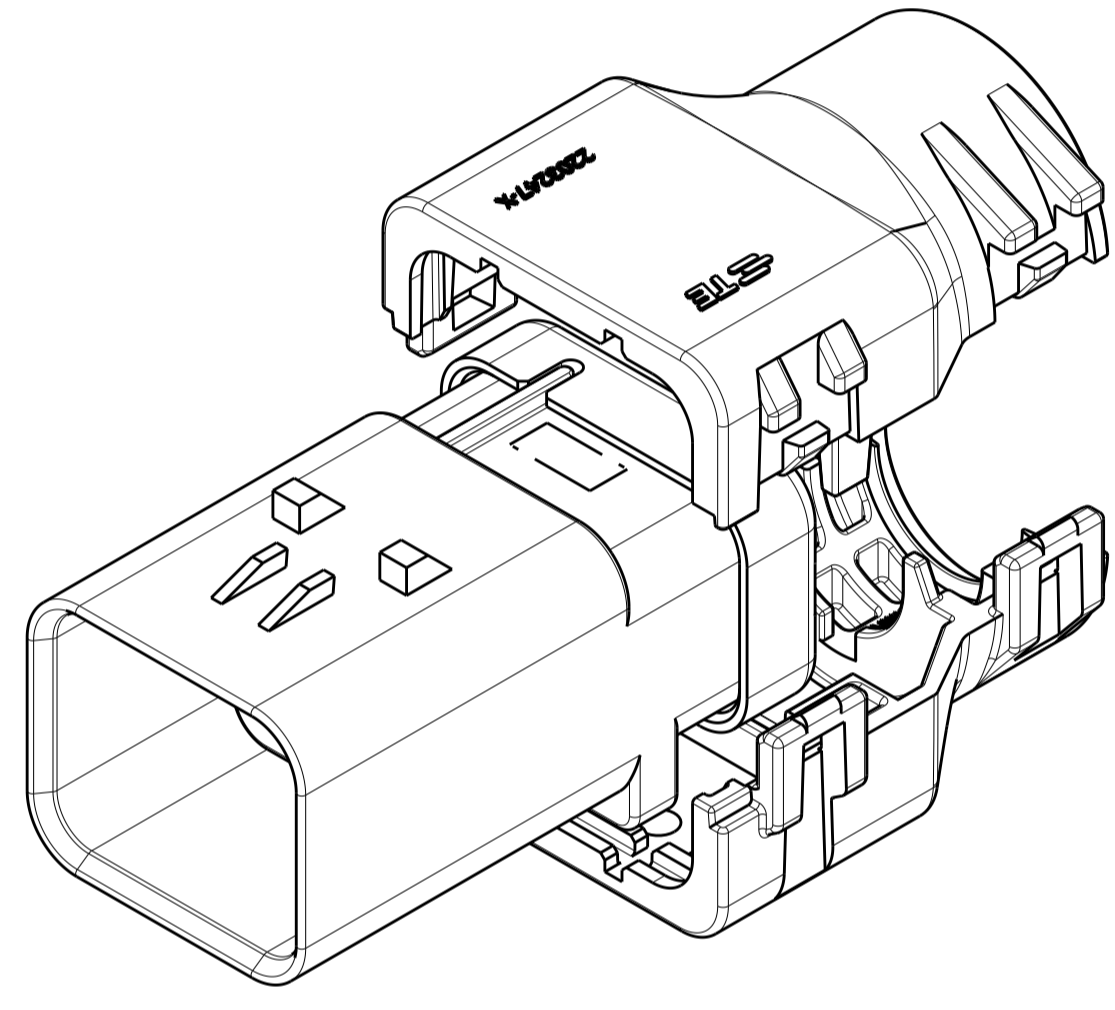
REVISIONS				
P.	LTN	DESCRIPTION	DATE	APVD
-	-	SEE SHEET 1	-	-





2292864-1
 WITH CAP ASSEMBLY 
 EXPLODED ISOMETRIC VIEW SHOWN



2292864-2
 WITH CAP ASSEMBLY 
 EXPLODED ISOMETRIC VIEW SHOWN



2292864-3
 WITH CAP ASSEMBLY 
 EXPLODED ISOMETRIC VIEW SHOWN

THIS DRAWING IS A CONTROLLED DOCUMENT.		DWN J MCNEAL 19JUN2015 CHK R BALTER 19JUN2015 APVD R BALTER 19JUN2015	 TE Connectivity
DIMENSIONS: mm [INCHES]	TOLERANCES UNLESS OTHERWISE SPECIFIED: 0 PLC ± 1 PLC ± 2 PLC ± 3 PLC ± 4 PLC ± ANGLES ±	NAME BACKSHELL KIT, 8 POSITION, CAP ASSY AMPSEAL 16 PRODUCT SPEC 108-151043 APPLICATION SPEC	
MATERIAL - FINISH -	WEIGHT - CUSTOMER DRAWING	SIZE A1 CAGE CODE 00779 DRAWING NO C=2292864	RESTRICTED TO - SCALE 2:1 SHEET 2 OF 2 REV A2

X-ON Electronics

Largest Supplier of Electrical and Electronic Components

Click to view similar products for [Automotive Connectors](#) category:

Click to view products by [TE Connectivity](#) manufacturer:

Other Similar products are found below :

[003-018-000](#) [60403001](#) [60993906-B](#) [M902-2131](#) [M902-2161](#) [M902-2344](#) [72.330.1035.1](#) [73.353.4028.0](#) [F119300-B](#) [F166900](#) [F258300-B](#)
[F358300-B](#) [F407400](#) [F444110](#) [F487000](#) [F509500B-B](#) [827153-1](#) [8N1515-32-24P](#) [9-1326729-8](#) [925474-1](#) [928905-1](#) [964562-4](#) [968782-1](#)
[GT17SA-8DS-HU](#) [98891-1012](#) [98947-1016](#) [12004147](#) [12004475-L](#) [12010290](#) [12015454](#) [12020219-B](#) [12041318-B](#) [12052225-L](#) [12052466](#)
[12064869](#) [12004327-B](#) [12015308](#) [12015384](#) [12015909](#) [1-21030-1](#) [12041254](#) [12041318](#) [12047946-B](#) [12047957](#) [12047957-L](#) [12059473](#)
[12066261](#) [12110546](#) [12110546-B](#) [12131792](#)