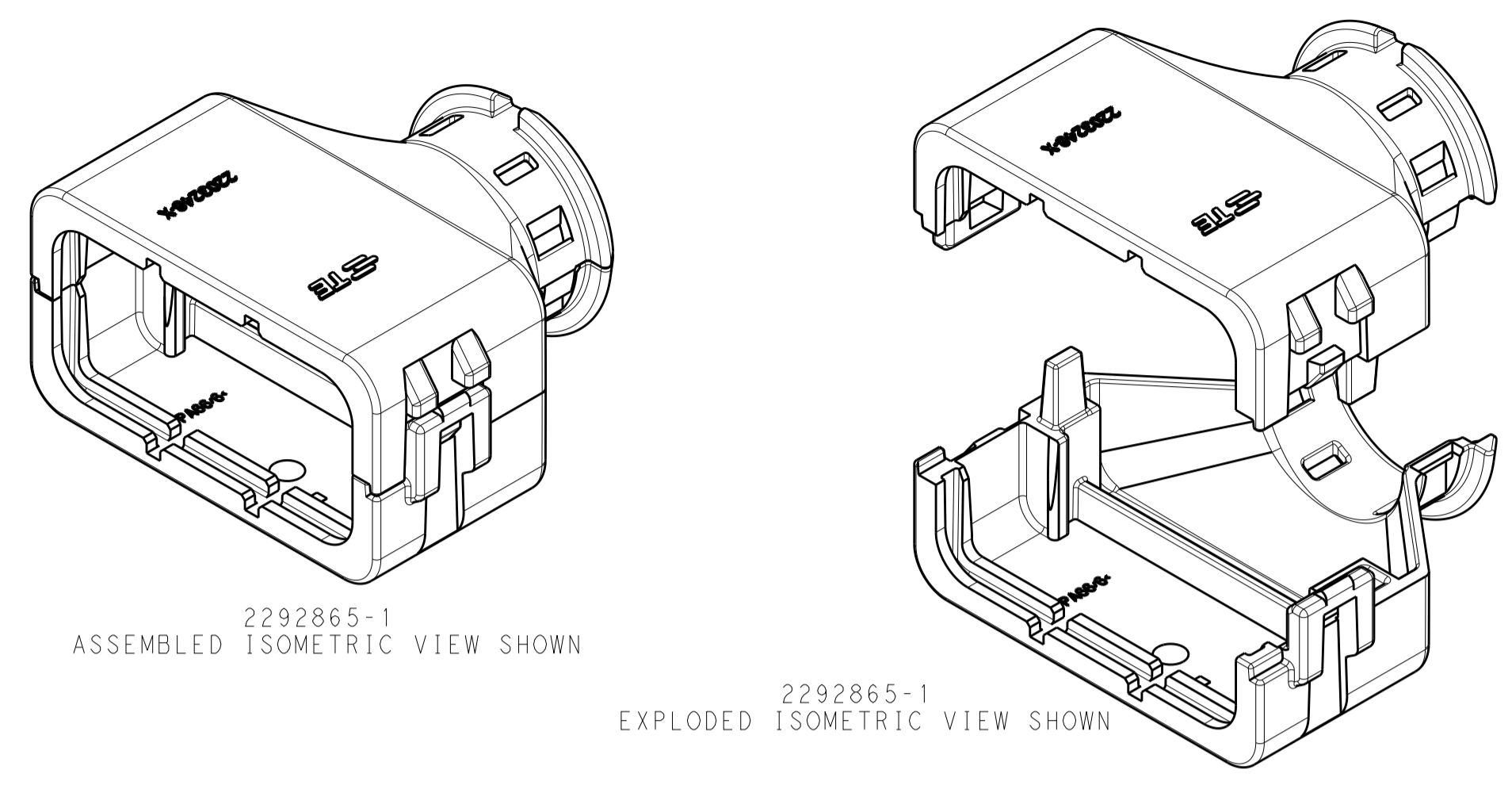
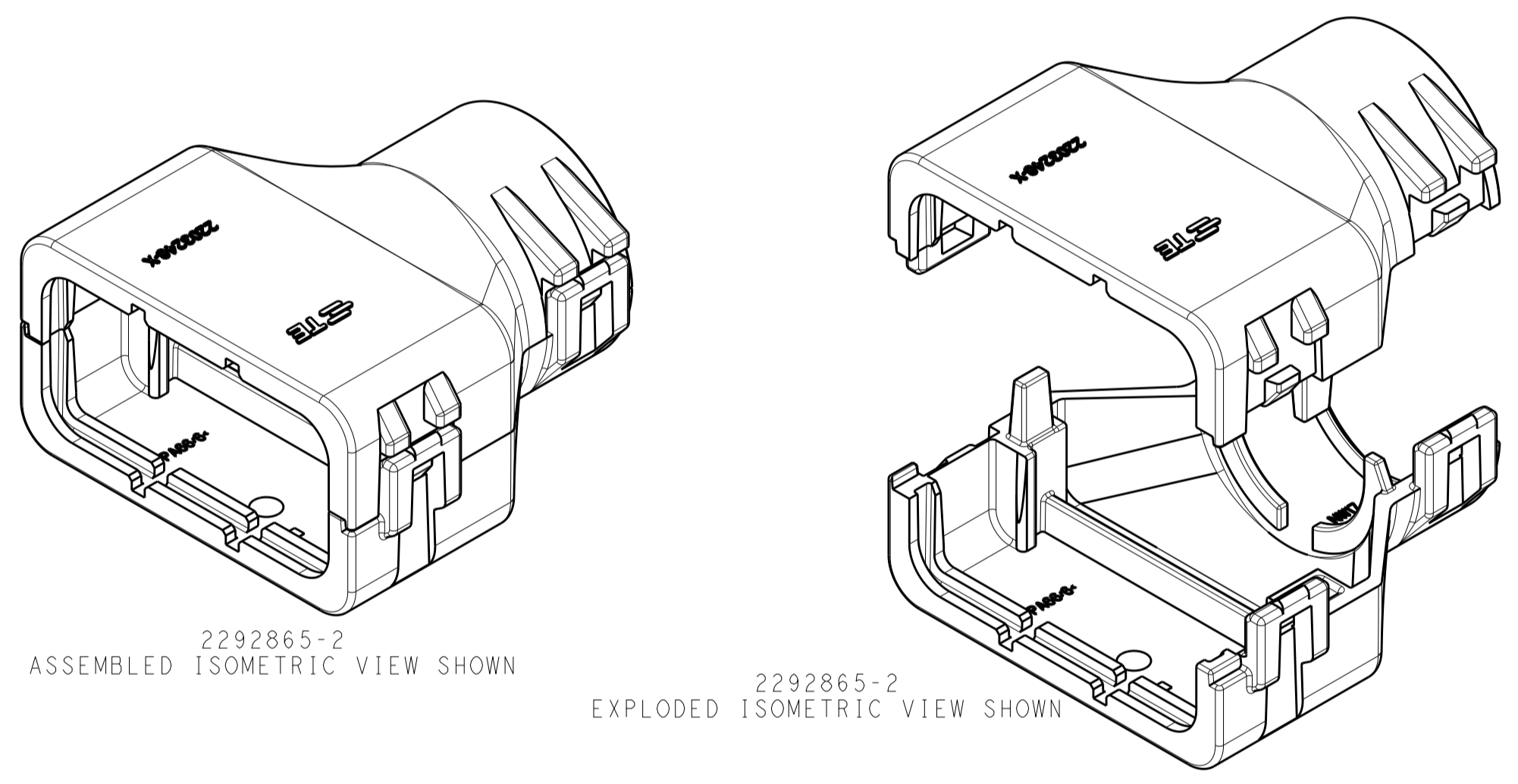


| REVISIONS | | | | |
|-----------|-----|----------------------------|-----------|--------|
| P. | LTN | DESCRIPTION | DATE | APPROV |
| A | | RELEASED PER ECO-15-010501 | 17JUL2015 | JM RB |
| A1 | | REV PER ECO-16-008350 | 02JUN2016 | JM RB |
| A2 | | REV PER ECO-16-013256 | 08SEP2016 | JM RB |



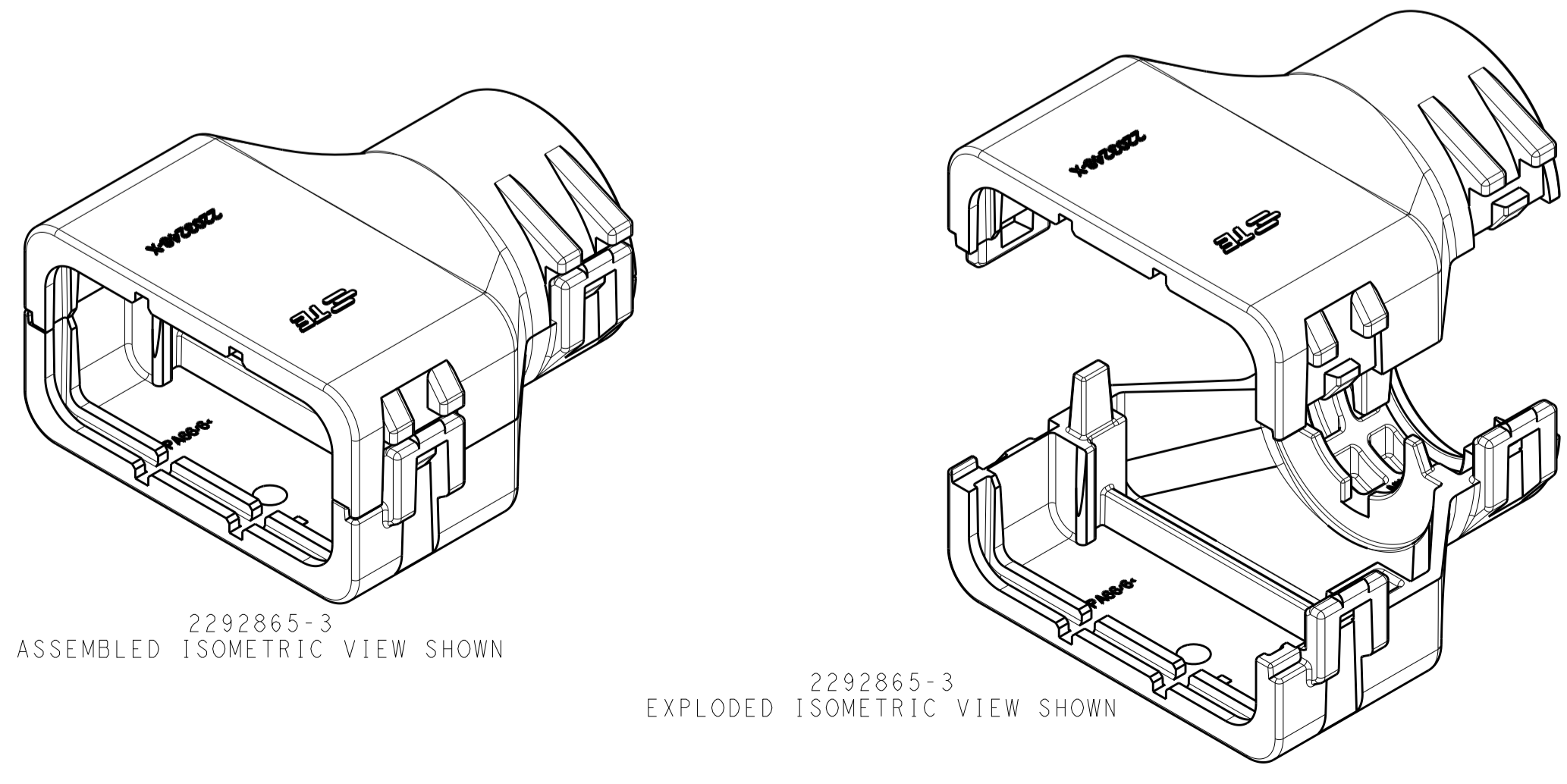
2292865-1
ASSEMBLED ISOMETRIC VIEW SHOWN

2292865-1
EXPLODED ISOMETRIC VIEW SHOWN



2292865-2
ASSEMBLED ISOMETRIC VIEW SHOWN

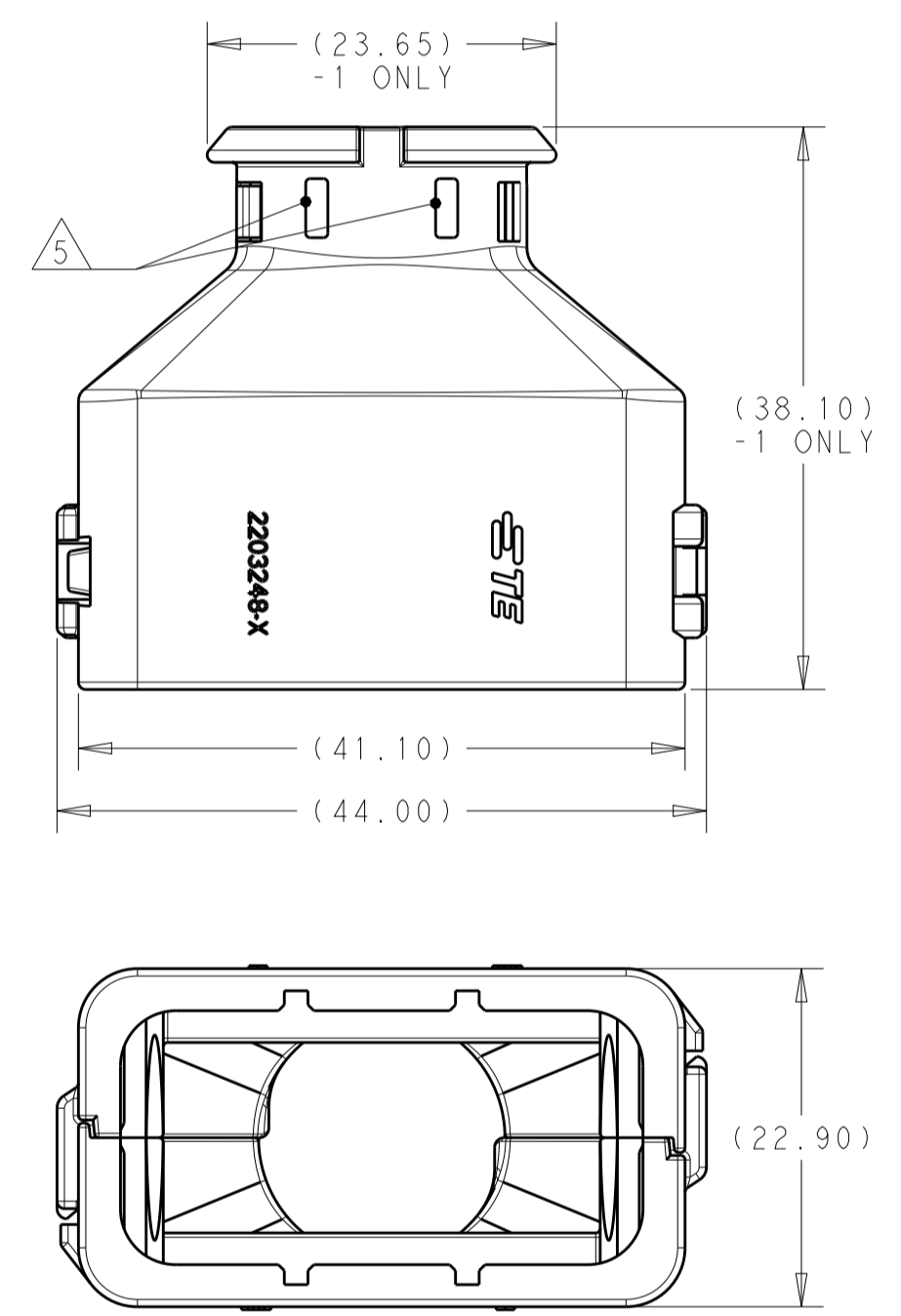
2292865-2
EXPLODED ISOMETRIC VIEW SHOWN



2292865-3
ASSEMBLED ISOMETRIC VIEW SHOWN

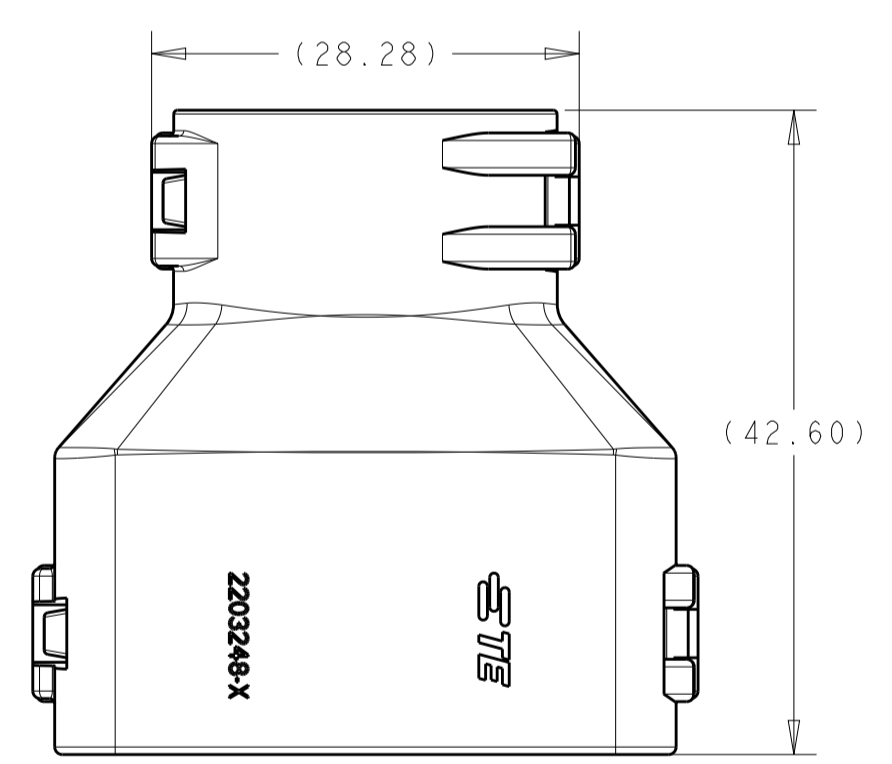
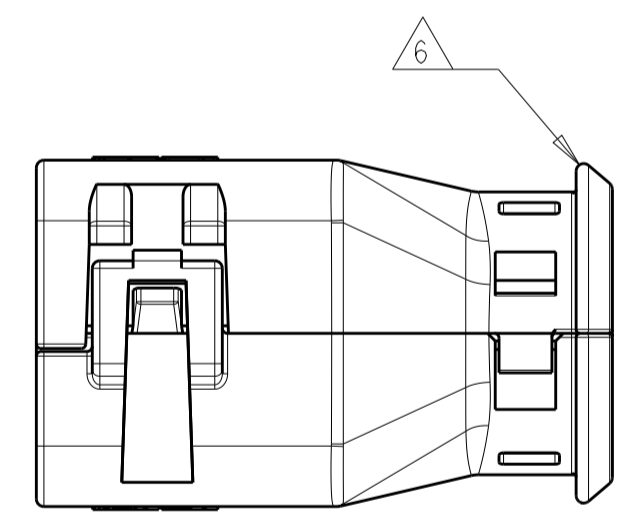
2292865-3
EXPLODED ISOMETRIC VIEW SHOWN

- 1 MATERIAL: NYLON MOLDING COMPOUND, BLACK, PA66/6.
- 2 BACKSHELL DESIGNED SUCH THAT TWO HALVES ATTACH TO ONE ANOTHER AND CLAMP AROUND THE CONNECTOR COVER.
- 3 DIMENSIONS TO BE MEASURED WHEN BACKSHELLS ASSEMBLED.
- 4 PRODUCT WEIGHTS:
2292865-1: 7.56g ASSEMBLED
2292865-2: 9.40g ASSEMBLED
2292865-3: 10.72g ASSEMBLED
- 5 4mm WIDE SLOTS FOR TIE WRAP TO SECURE HARNESS WIRES (-1 ONLY).
- 6 HEAT SHRINK TUBING RETENTION FEATURE (-1 ONLY).
- 7. INSTRUCTION SHEET: 408-151043.
- 8. CONDUIT PROFILE: NORMAL ONLY.



2292865-1
ASSEMBLED VIEW SHOWN

DIMENSIONS SHOWN TYPICAL FOR ALL PART NUMBERS EXCEPT AS NOTED



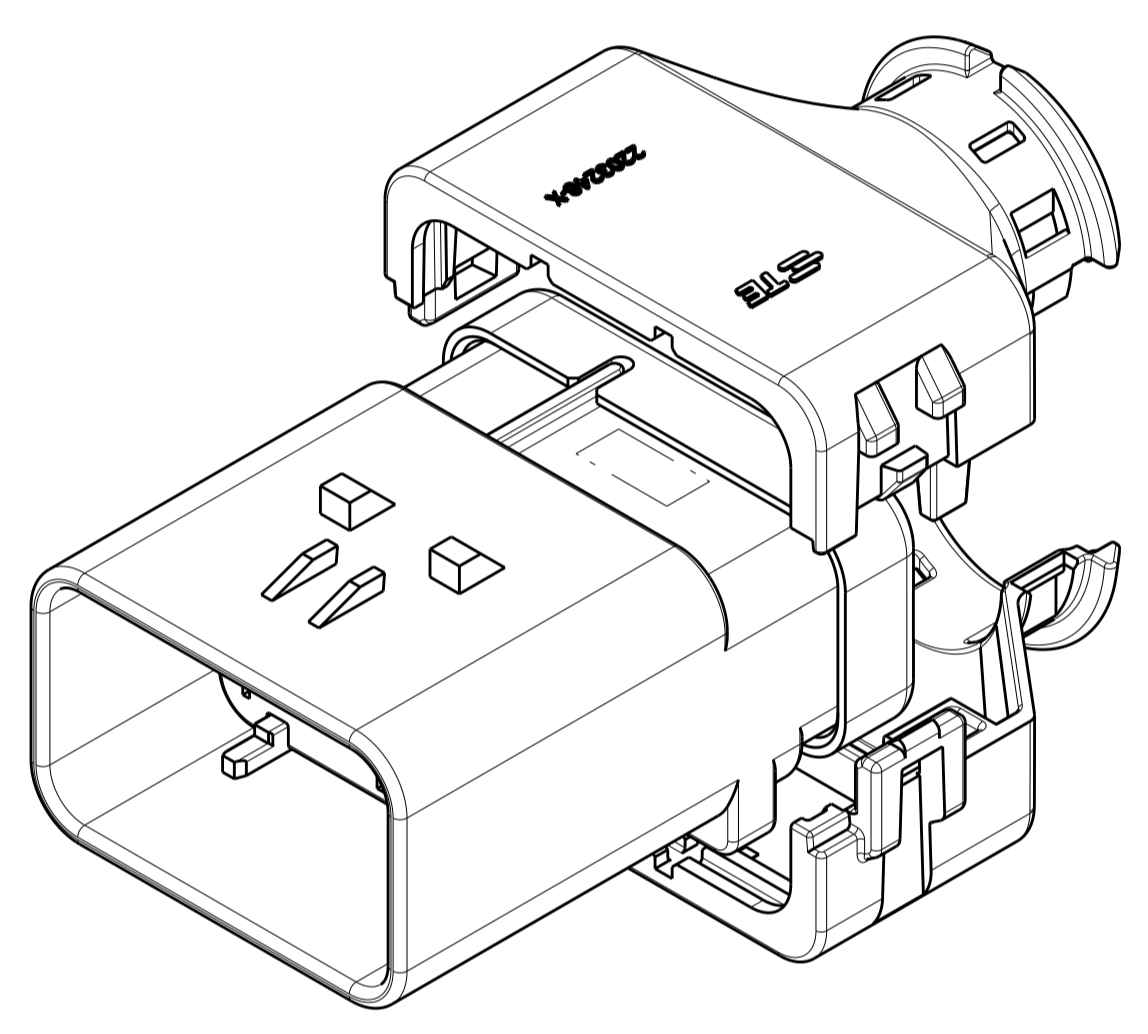
2292865-2
ASSEMBLED VIEW SHOWN

DIMENSIONS SHOWN TYPICAL FOR -2 AND -3 ONLY

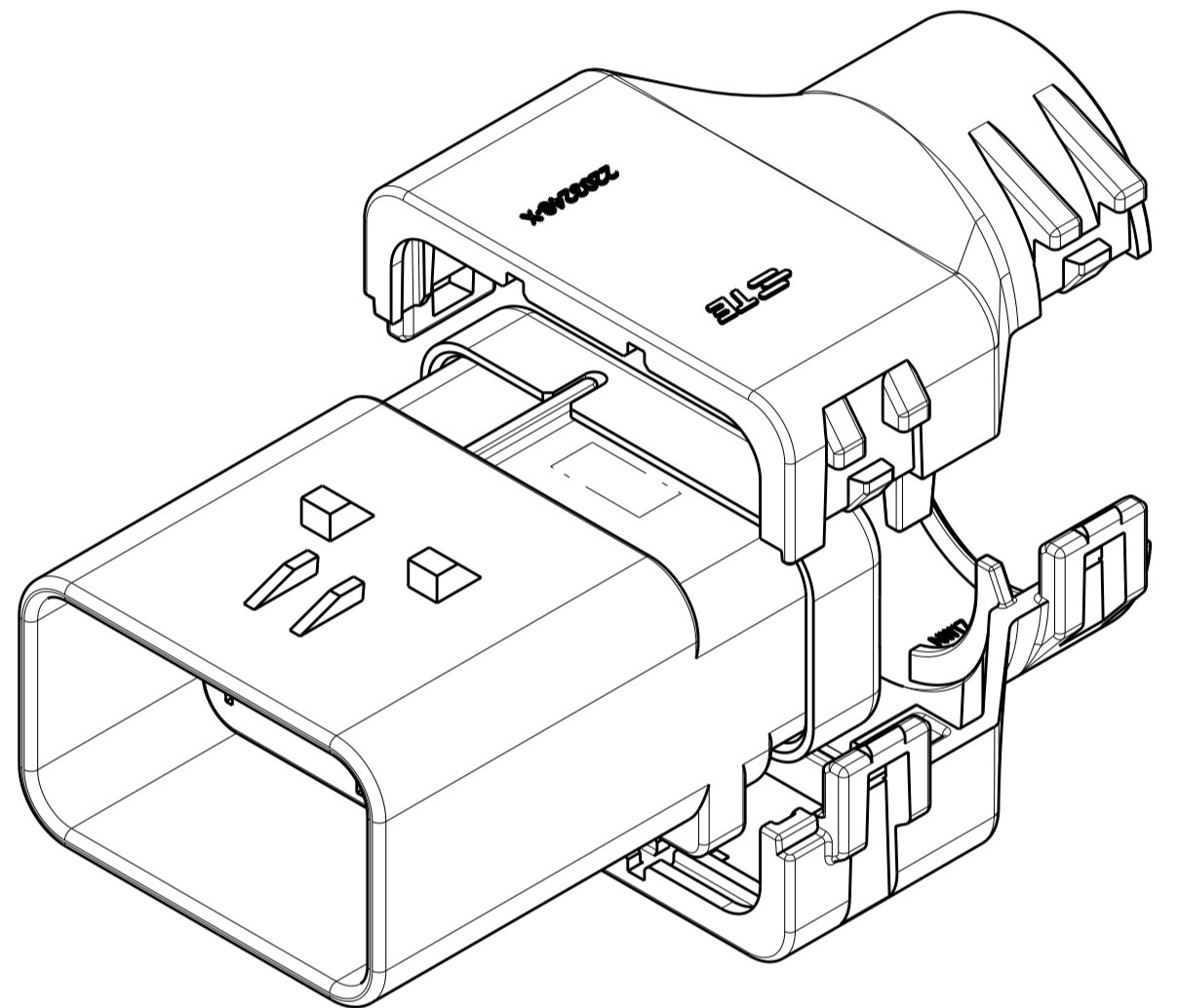
| | | | |
|------------------|--------------|--------------|-------------|
| 776438-X | NC16 | NW13 | 2292865-3 |
| 776539-X | NC20 | NW17 | 2292865-2 |
| | SMOOTH | SMOOTH | 2292865-1 |
| FITS ON CAP ASSY | CORREGATE NC | CORREGATE NW | PART NUMBER |
| | CONDUIT SIZE | | |

| | | | | |
|--|---|---|---|--------------|
| THIS DRAWING IS A CONTROLLED DOCUMENT. | | DWN J MCNEAL 22JUN2015 CHK R BALTER 22JUN2015 APVD R BALTER 22JUN2015 | STE TE Connectivity | |
| DIMENSIONS: | TOLERANCES UNLESS OTHERWISE SPECIFIED: | NAME | BACKSHELL KIT, 12 POSITION, CAP ASSY AMPSEAL 16 | |
| mm [INCHES] | 0 PLC ± 1 PLC ± 2 PLC ± 3 PLC ± 4 PLC ± ANGLES ± | PRODUCT SPEC | 108-151043 | |
| | | APPLICATION SPEC | | |
| MATERIAL | FINISH | WEIGHT | SIZE | CAGE CODE |
| | | 4 | A100779 | C=2292865 |
| CUSTOMER DRAWING | | SCALE | 2:1 | SHEET 1 OF 2 |
| | | REV | A2 | |

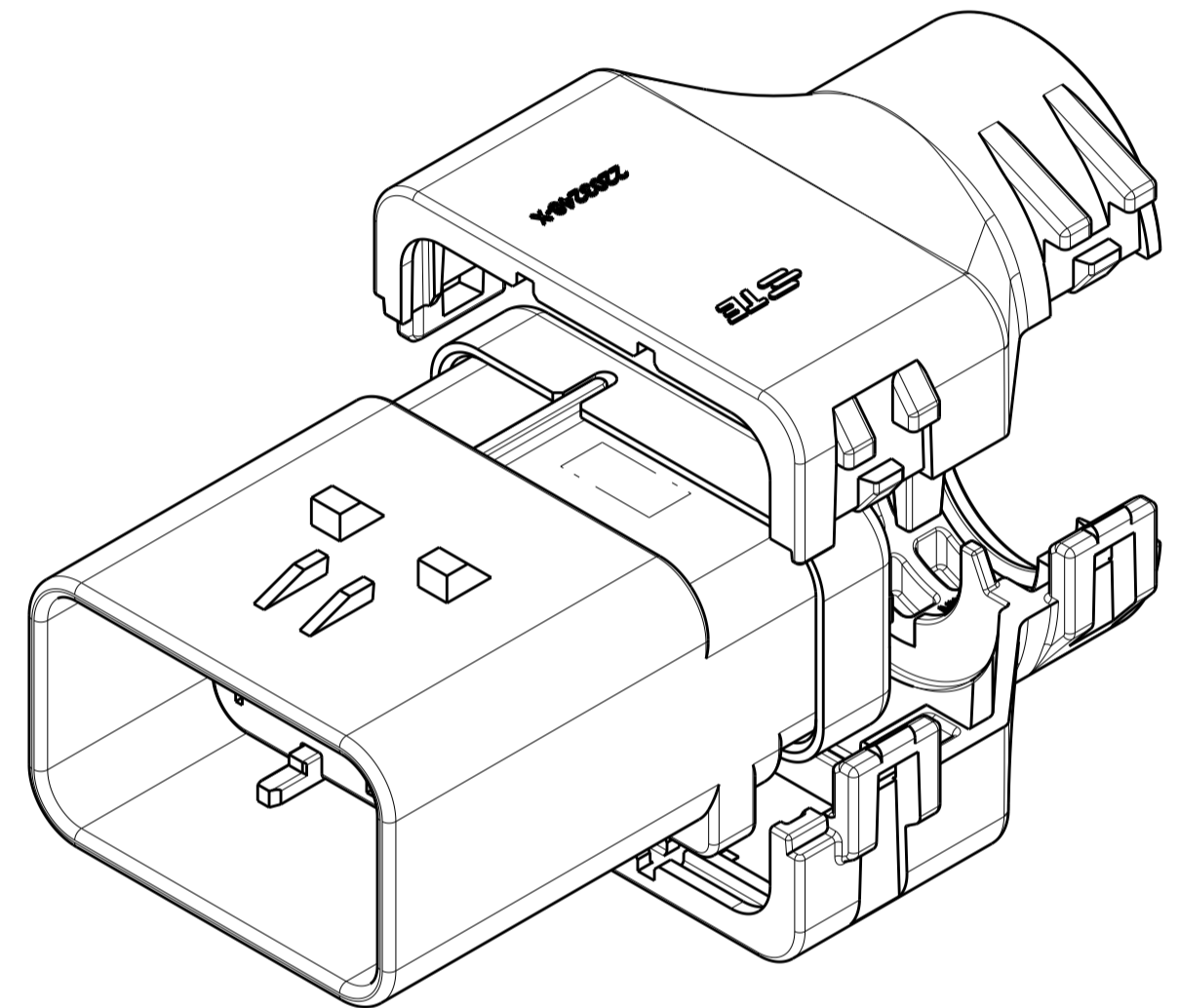
| REVISIONS | | | | |
|-----------|-----|-------------|------|------|
| P. | LTN | DESCRIPTION | DATE | APVD |
| - | | SEE SHEET 1 | - | - |
| | | | | |
| | | | | |



2292865-1
 WITH CAP ASSEMBLY EXPLODED ISOMETRIC VIEW SHOWN



2292865-2
 WITH CAP ASSEMBLY EXPLODED ISOMETRIC VIEW SHOWN



2292865-3
 WITH CAP ASSEMBLY EXPLODED ISOMETRIC VIEW SHOWN

| | | | | |
|--|---|--|--|-------------------------------|
| THIS DRAWING IS A CONTROLLED DOCUMENT. | | DWN J MCNEAL 22JUN2015 CHK R BALTER 22JUN2015 APVD R BALTER 22JUN2015 | | |
| DIMENSIONS: mm [INCHES] | TOLERANCES UNLESS OTHERWISE SPECIFIED: 0 PLC ± 1 PLC ± 2 PLC ± 3 PLC ± 4 PLC ± ANGLES ± | NAME BACKSHELL KIT, 12 POSITION, CAP ASSY AMPSEAL 16 PRODUCT SPEC 108-151043 APPLICATION SPEC | SIZE A1 CAGE CODE 00779 DRAWING NO C=2292865 | RESTRICTED TO - |
| MATERIAL | FINISH | WEIGHT | CUSTOMER DRAWING | SCALE 2:1 SHEET 2 OF 2 REV A2 |

X-ON Electronics

Largest Supplier of Electrical and Electronic Components

Click to view similar products for [Automotive Connectors](#) category:

Click to view products by [TE Connectivity](#) manufacturer:

Other Similar products are found below :

[003-018-000](#) [60403001](#) [60993906-B](#) [M902-2131](#) [M902-2161](#) [72.330.1035.1](#) [73.353.4028.0](#) [F119300-B](#) [F166900](#) [F258300-B](#) [F358300-B](#)
[F407400](#) [F444110](#) [F487000](#) [F509500B-B](#) [827153-1](#) [8N1515-32-24P](#) [9-1326729-8](#) [925474-1](#) [928905-1](#) [964562-4](#) [968782-1](#) [GT17SA-8DS-](#)
[HU](#) [98891-1012](#) [98947-1016](#) [12004147](#) [12004475-L](#) [12010290](#) [12010309-B](#) [12015454](#) [12020219-B](#) [12020308](#) [12041318-B](#) [12052225-L](#)
[12052466](#) [12059125](#) [12064869](#) [12004327-B](#) [12010503-B](#) [12015308](#) [12015384](#) [12015909](#) [1-21030-1](#) [12041254](#) [12041318](#) [12047946-B](#)
[12047957](#) [12047957-L](#) [12059473](#) [12066261](#)