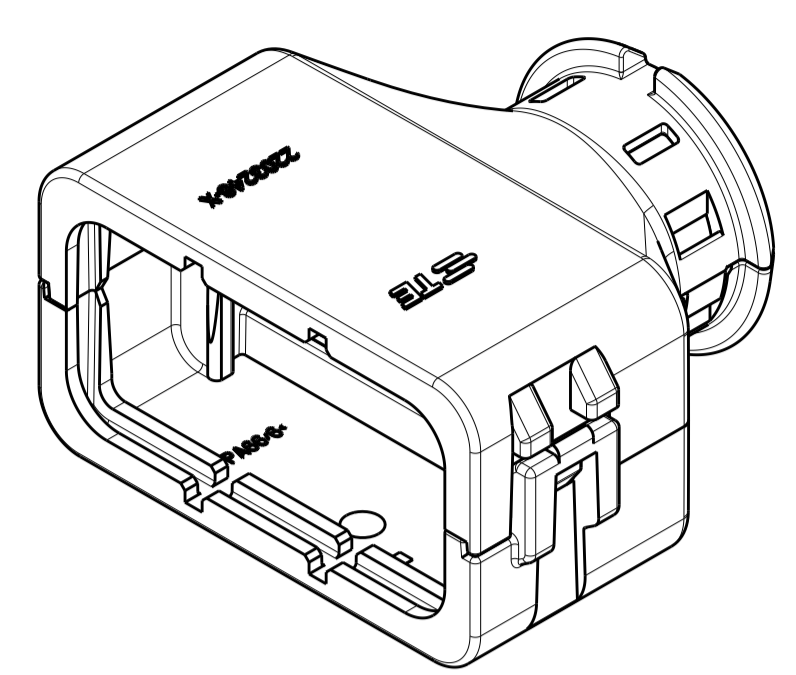
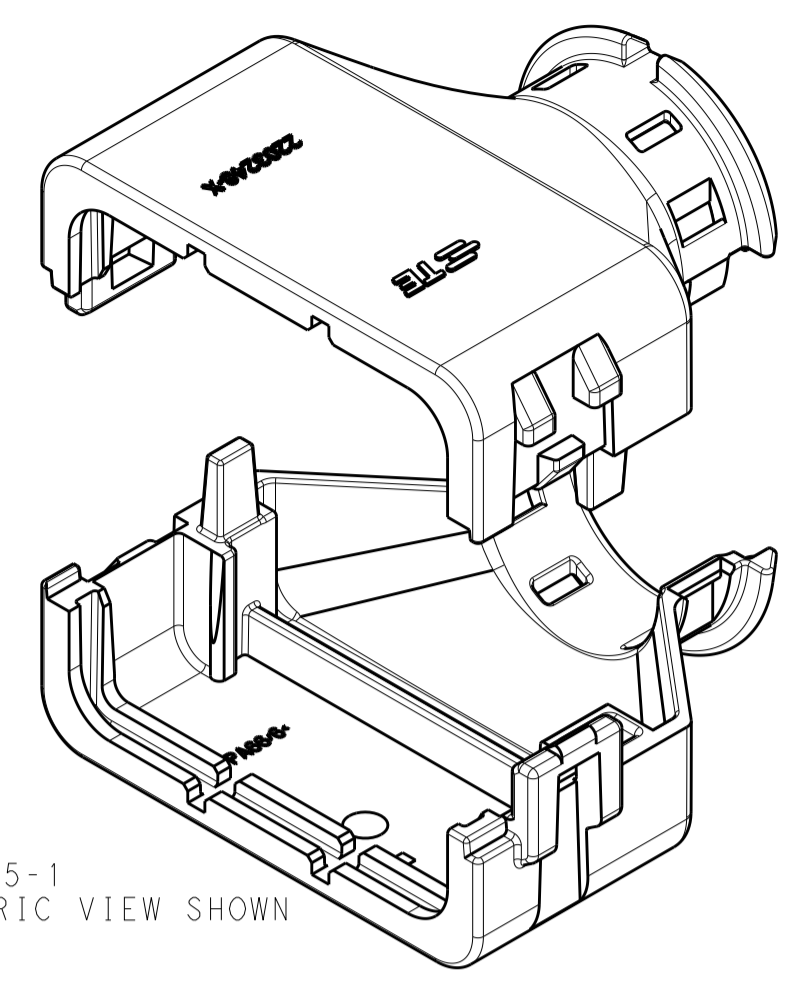


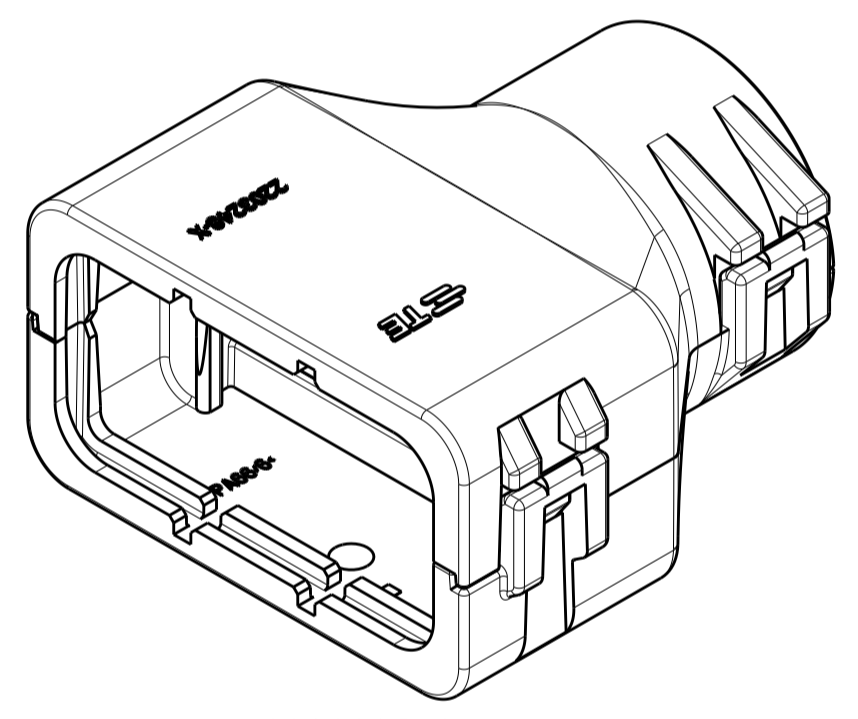
REVISIONS				
P.	LTN	DESCRIPTION	DATE	APVD
A		RELEASED PER ECO-15-010501	17JUL2015	JM RB
A1		REV PER ECO-16-008350	02JUN2016	JM RB
A2		REV PER ECO-16-013256	08SEP2016	JM RB



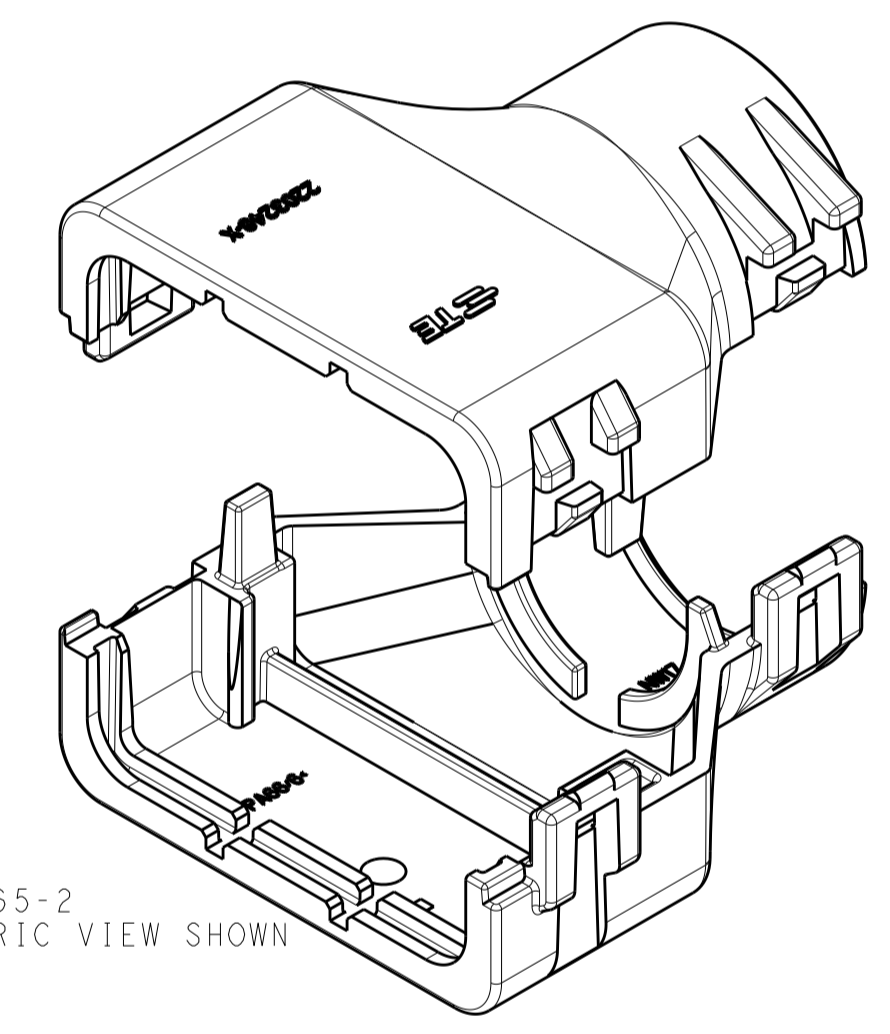
2292865-1
ASSEMBLED ISOMETRIC VIEW SHOWN



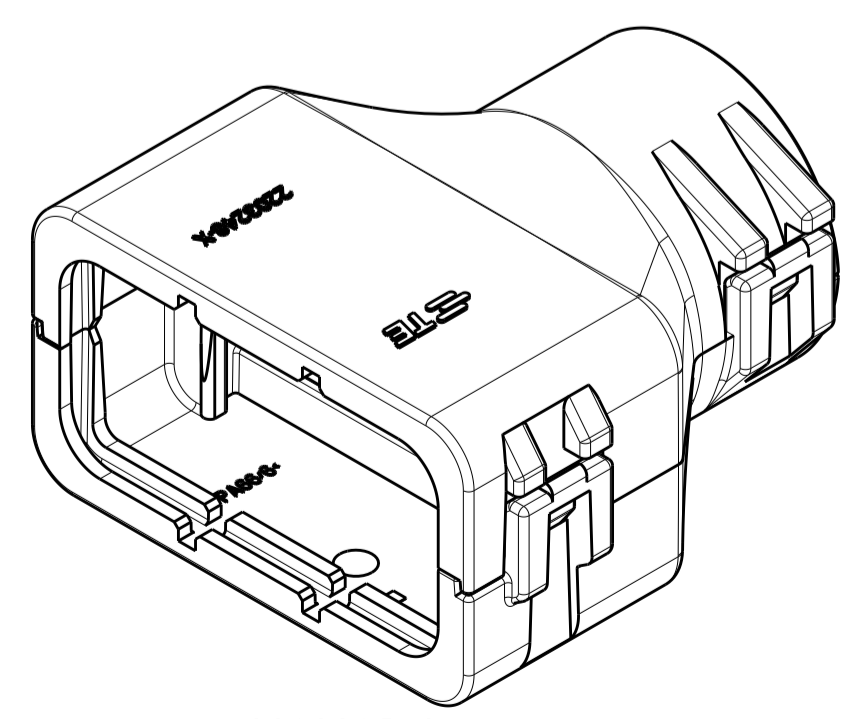
2292865-1
EXPLODED ISOMETRIC VIEW SHOWN



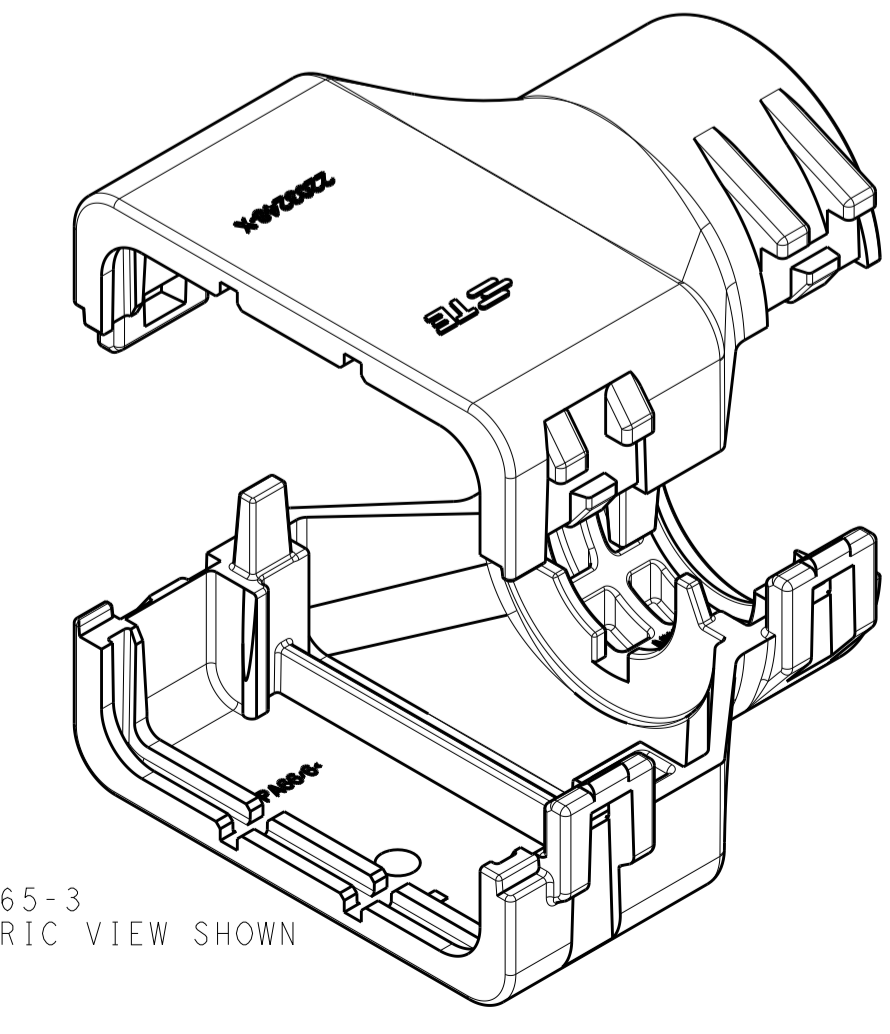
2292865-2
ASSEMBLED ISOMETRIC VIEW SHOWN



2292865-2
EXPLODED ISOMETRIC VIEW SHOWN

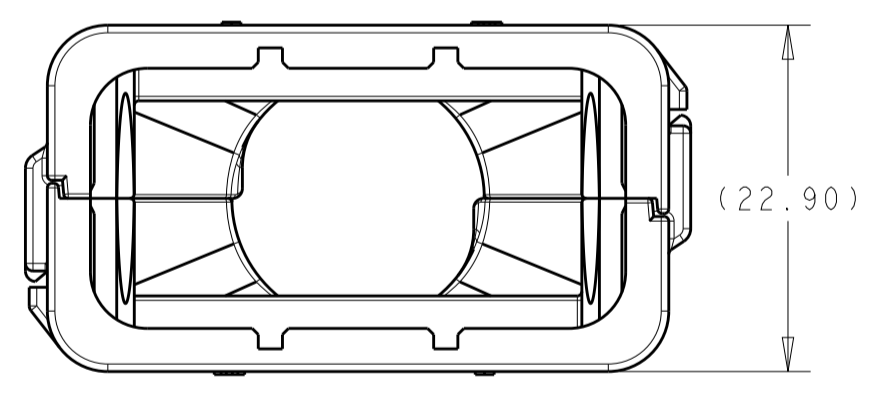
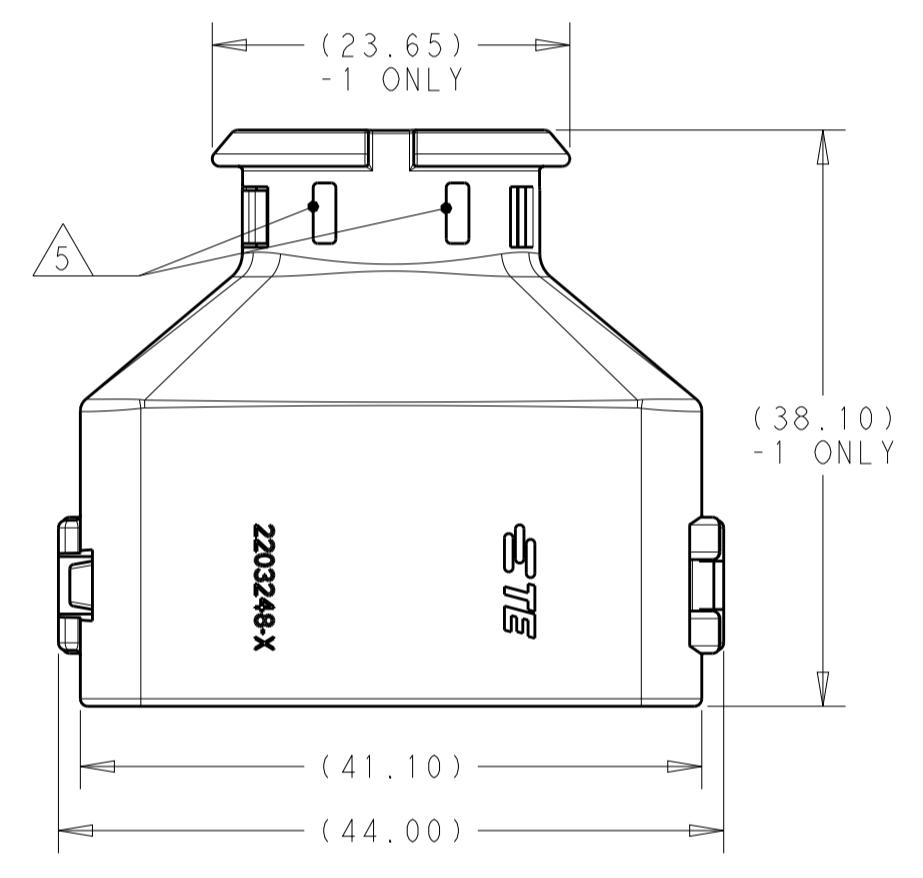


2292865-3
ASSEMBLED ISOMETRIC VIEW SHOWN



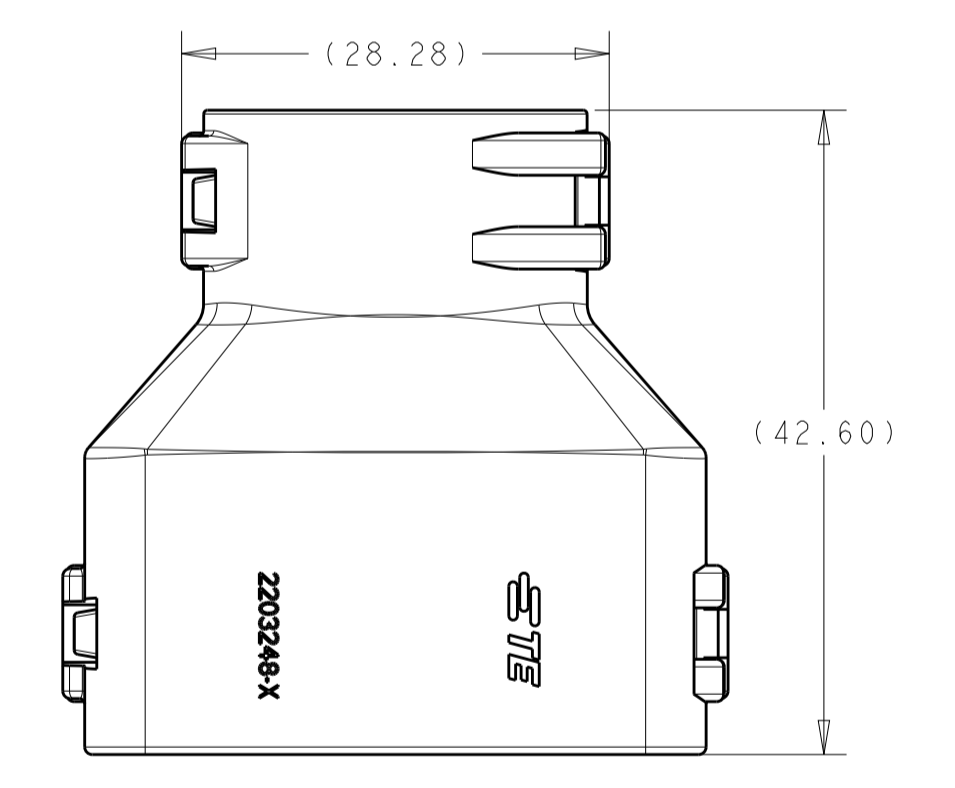
2292865-3
EXPLODED ISOMETRIC VIEW SHOWN

- 1 MATERIAL: NYLON MOLDING COMPOUND, BLACK, PA66/6.
- 2 BACKSHELL DESIGNED SUCH THAT TWO HALVES ATTACH TO ONE ANOTHER AND CLAMP AROUND THE CONNECTOR COVER.
- 3 DIMENSIONS TO BE MEASURED WHEN BACKSHELLS ASSEMBLED.
- 4 PRODUCT WEIGHTS:
2292865-1: 7.56g ASSEMBLED
2292865-2: 9.40g ASSEMBLED
2292865-3: 10.72g ASSEMBLED
- 5 4mm WIDE SLOTS FOR TIE WRAP TO SECURE HARNESS WIRES (-1 ONLY).
- 6 HEAT SHRINK TUBING RETENTION FEATURE (-1 ONLY).
- 7. INSTRUCTION SHEET: 408-151043.
- 8. CONDUIT PROFILE: NORMAL ONLY.



2292865-1
ASSEMBLED VIEW SHOWN

DIMENSIONS SHOWN TYPICAL FOR ALL PART NUMBERS EXCEPT AS NOTED



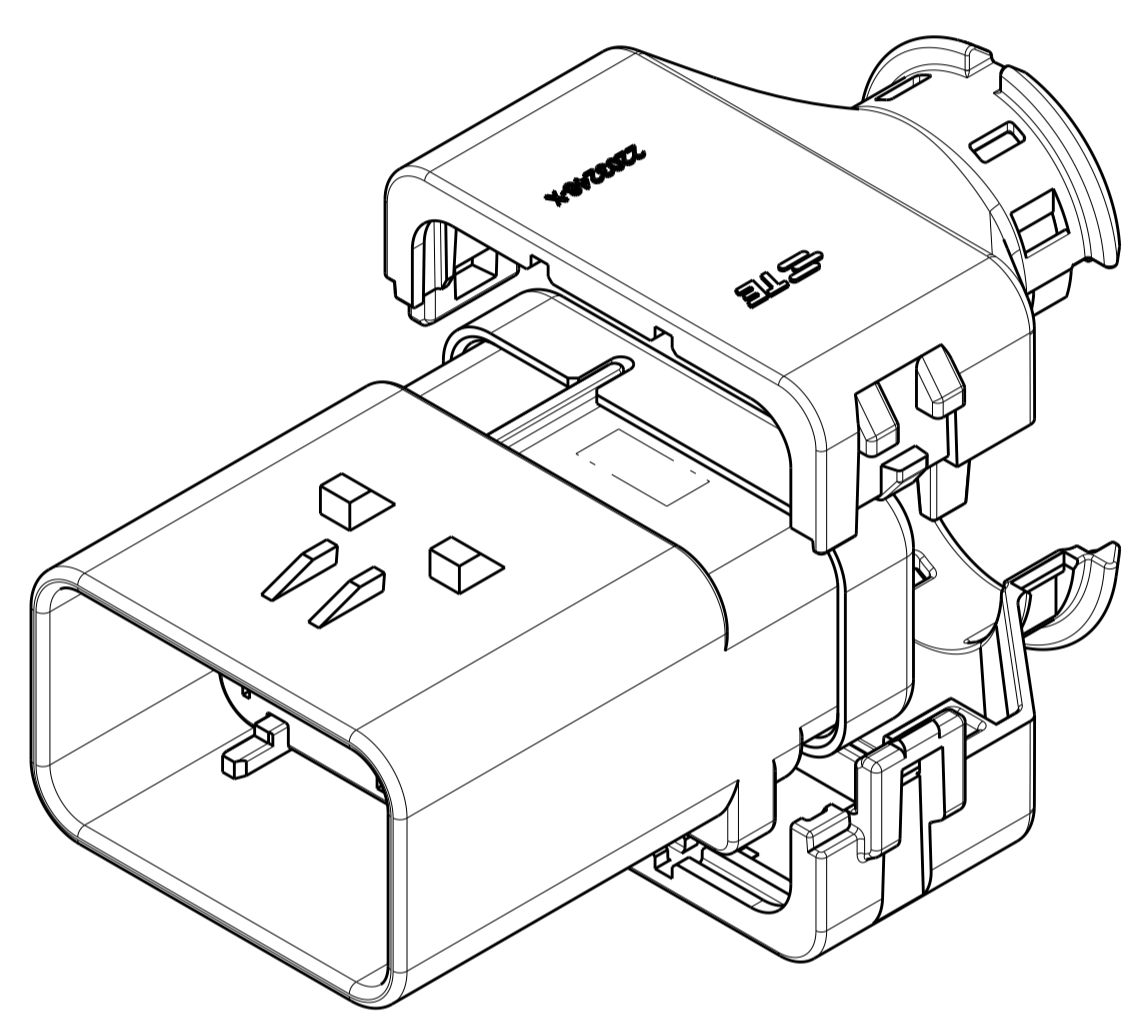
2292865-2
ASSEMBLED VIEW SHOWN

DIMENSIONS SHOWN TYPICAL FOR -2 AND -3 ONLY

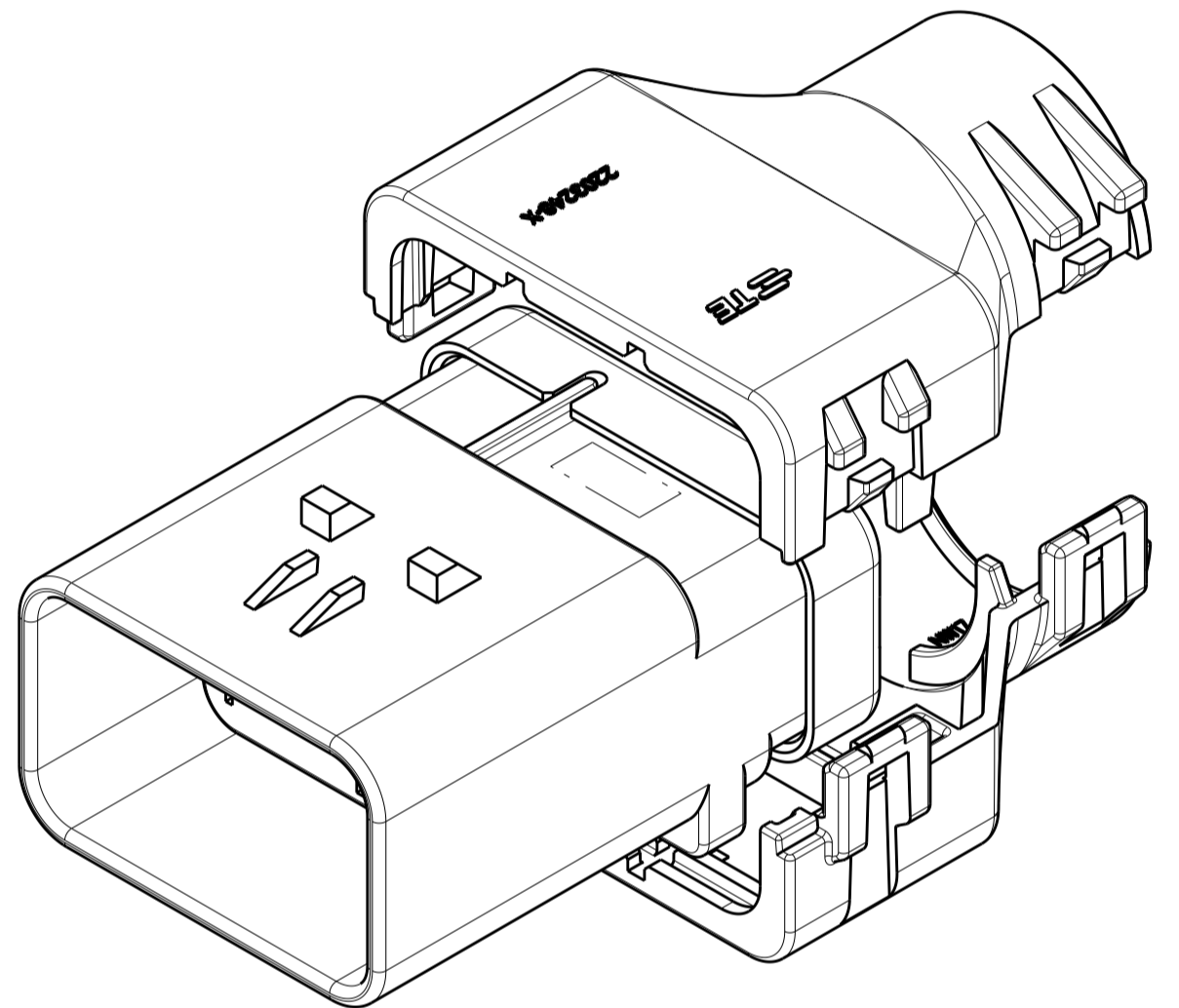
776438-X	NC16	NW13	2292865-3
776539-X	NC20	NW17	2292865-2
	SMOOTH	SMOOTH	2292865-1
FITS ON CAP ASSY	CORREGATE NC	CORREGATE NW	PART NUMBER
	CONDUIT SIZE		

THIS DRAWING IS A CONTROLLED DOCUMENT.		OWN: J. MCNEAL 22JUN2015	TE Connectivity	
DIMENSIONS: mm [INCHES]		CHK: R. BALTER 22JUN2015		
TOLERANCES UNLESS OTHERWISE SPECIFIED:		APVD: R. BALTER 22JUN2015	NAME: BACKSHELL KIT, 12 POSITION, CAP ASSY AMPSEAL 16	
0 PLC ±	1 PLC ±	PRODUCT SPEC	SIZE: CAGE CODE DRAWING NO. RESTRICTED TO	
2 PLC ±	3 PLC ±	APPLICATION SPEC	SCALE: 2:1 SHEET 1 OF 2 REV: A2	
4 PLC ±	ANGLES ±	MATERIAL: NYLON MOLDING COMPOUND, BLACK, PA66/6	WEIGHT: 7.56g	
FINISH: -	FINISH: -	CUSTOMER DRAWING	A100779C=2292865	

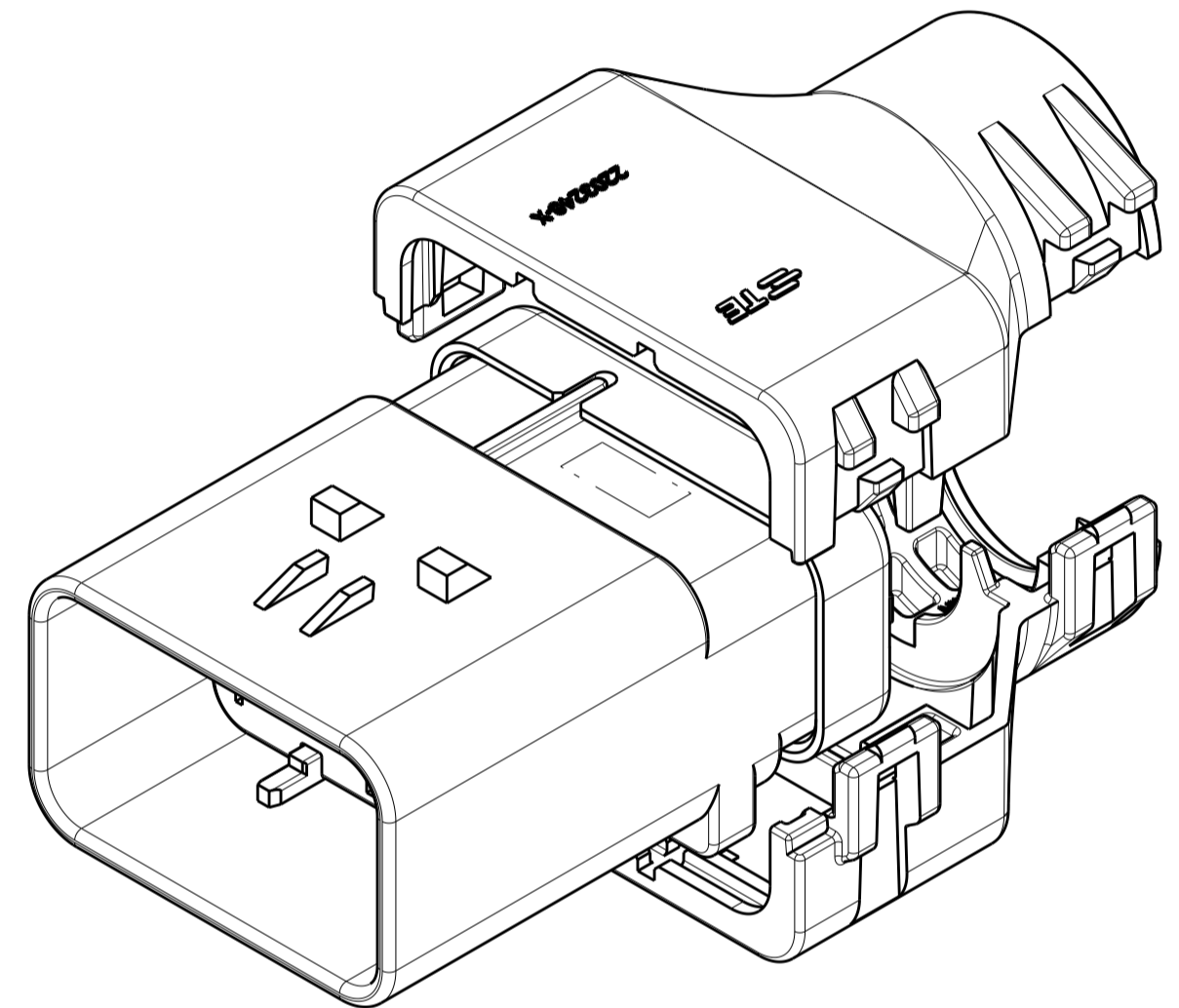
REVISIONS				
P.	LTN	DESCRIPTION	DATE	APVD
-		SEE SHEET 1	-	-



2292865-1
 WITH CAP ASSEMBLY \triangle
 EXPLODED ISOMETRIC VIEW SHOWN



2292865-2
 WITH CAP ASSEMBLY \triangle
 EXPLODED ISOMETRIC VIEW SHOWN



2292865-3
 WITH CAP ASSEMBLY \triangle
 EXPLODED ISOMETRIC VIEW SHOWN

THIS DRAWING IS A CONTROLLED DOCUMENT.		DWN J MCNEAL 22JUN2015 CHK R BALTER 22JUN2015 APVD R BALTER 22JUN2015		
DIMENSIONS: mm [INCHES]	TOLERANCES UNLESS OTHERWISE SPECIFIED:	PRODUCT SPEC 108-151043 APPLICATION SPEC	NAME BACKSHELL KIT, 12 POSITION, CAP ASSY AMPSEAL 16	
	0 PLC ± 1 PLC ± 2 PLC ± 3 PLC ± 4 PLC ± ANGLES ±	WEIGHT CUSTOMER DRAWING	SIZE CAGE CODE DRAWING NO A100779C=2292865	RESTRICTED TO -
MATERIAL	FINISH	SCALE 2:1 SHEET 2 OF 2 REV A2		

X-ON Electronics

Largest Supplier of Electrical and Electronic Components

Click to view similar products for [Automotive Connectors](#) category:

Click to view products by [TE Connectivity](#) manufacturer:

Other Similar products are found below :

[003-018-000](#) [60403001](#) [60993906-B](#) [M902-2131](#) [M902-2161](#) [72.330.1035.1](#) [73.353.4028.0](#) [F119300-B](#) [F166900](#) [F258300-B](#) [F358300-B](#)
[F407400](#) [F444110](#) [F487000](#) [F509500B-B](#) [827153-1](#) [8N1515-32-24P](#) [9-1326729-8](#) [925474-1](#) [928905-1](#) [964562-4](#) [968782-1](#) [GT17SA-8DS-](#)
[HU](#) [98891-1012](#) [98947-1016](#) [12004147](#) [12004475-L](#) [12010290](#) [12010309-B](#) [12015454](#) [12020219-B](#) [12020308](#) [12041318-B](#) [12052225-L](#)
[12052466](#) [12059125](#) [12064869](#) [12004327-B](#) [12010503-B](#) [12015308](#) [12015384](#) [12015909](#) [1-21030-1](#) [12041254](#) [12041318](#) [12047946-B](#)
[12047957](#) [12047957-L](#) [12059473](#) [12066261](#)