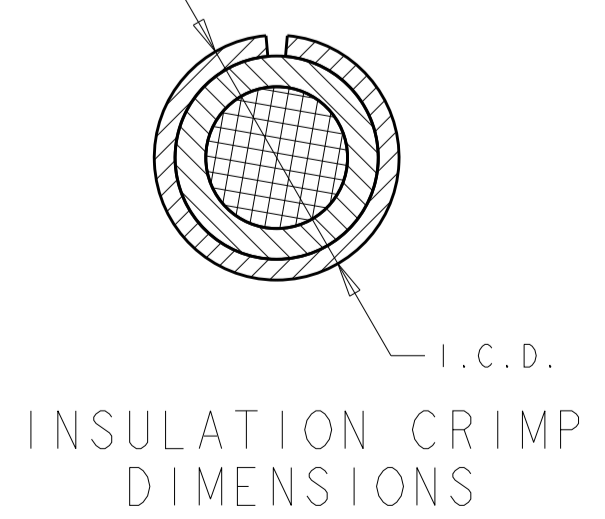
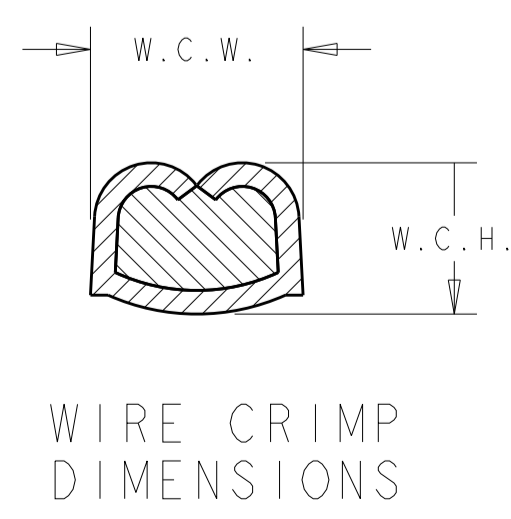
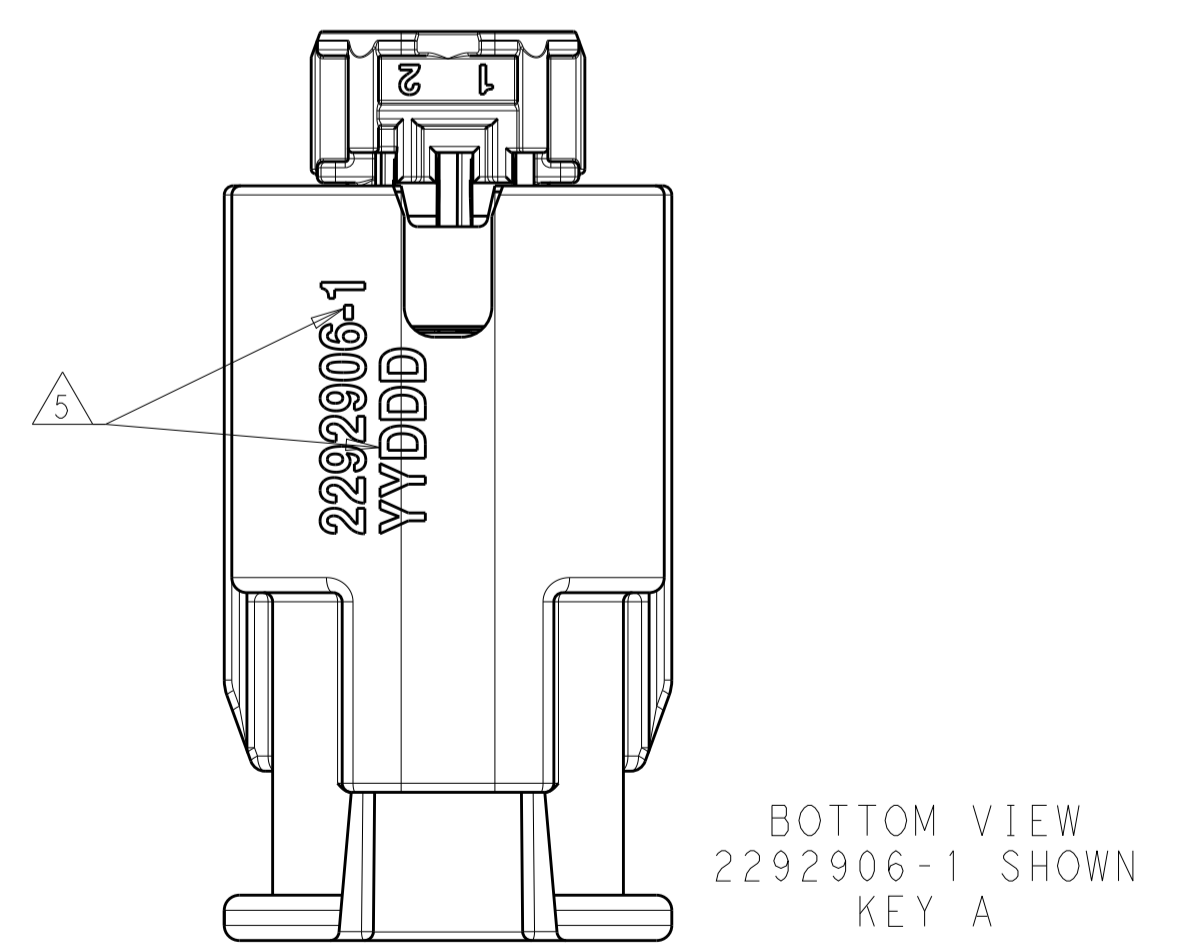
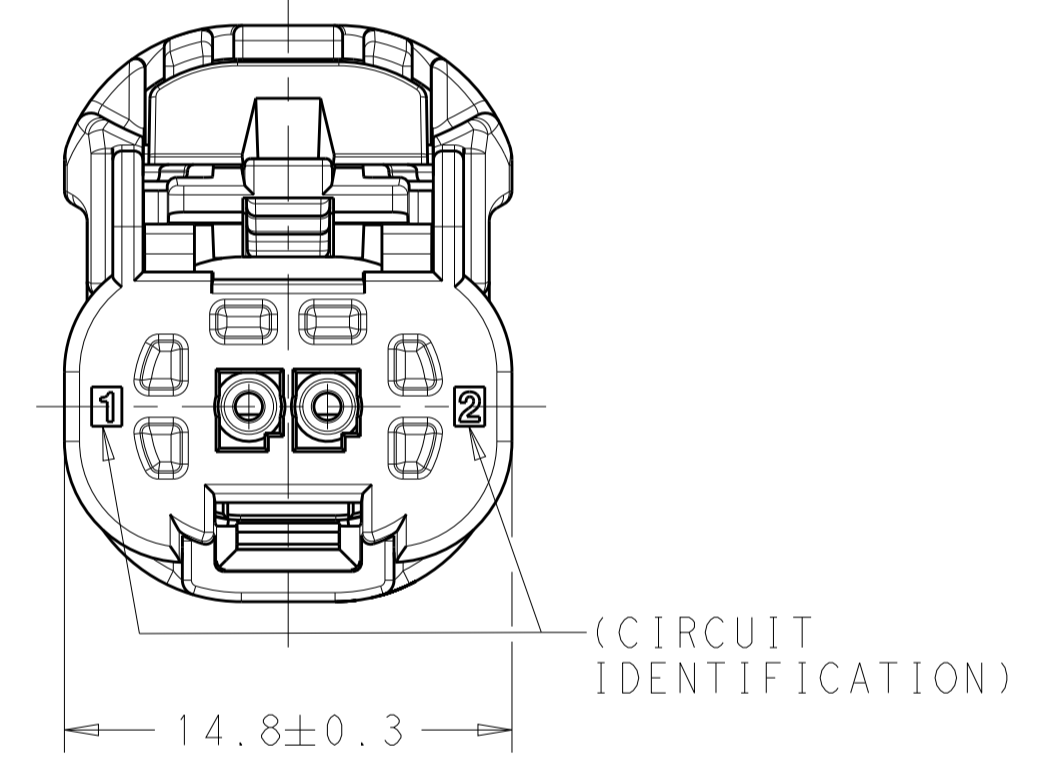
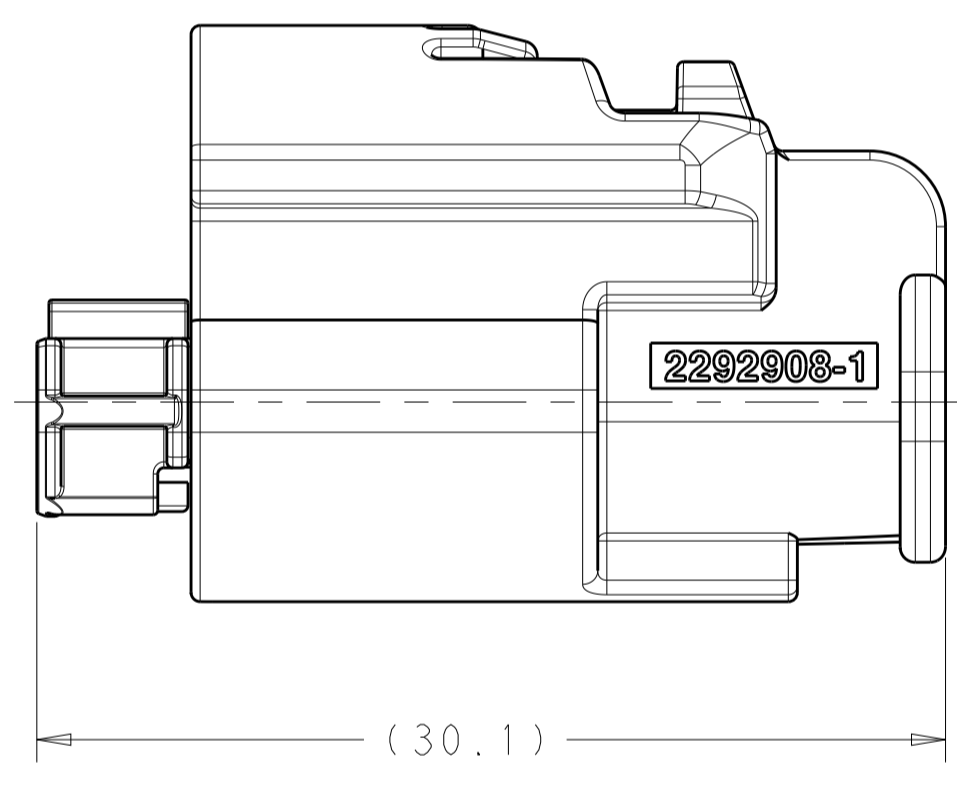
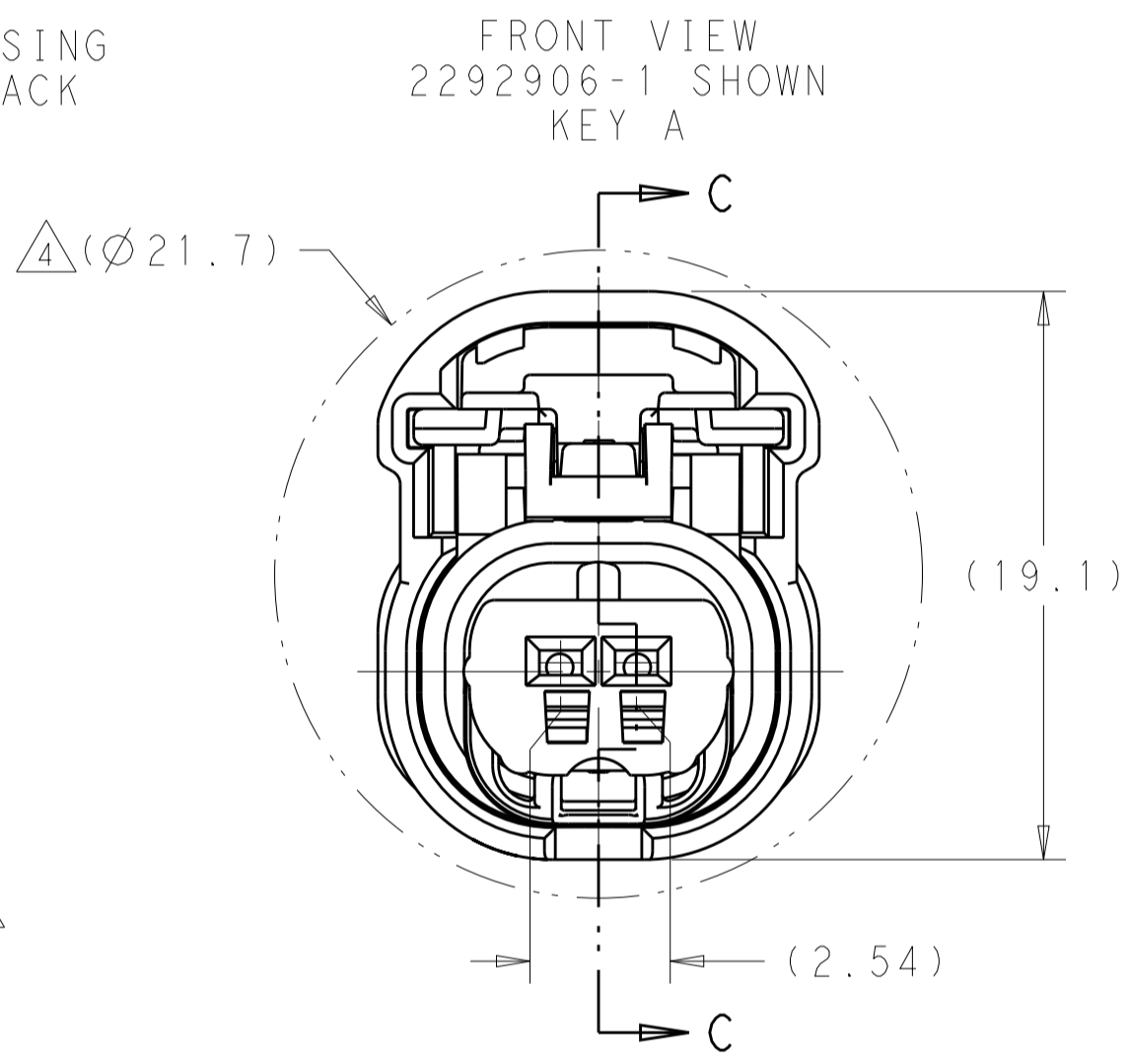
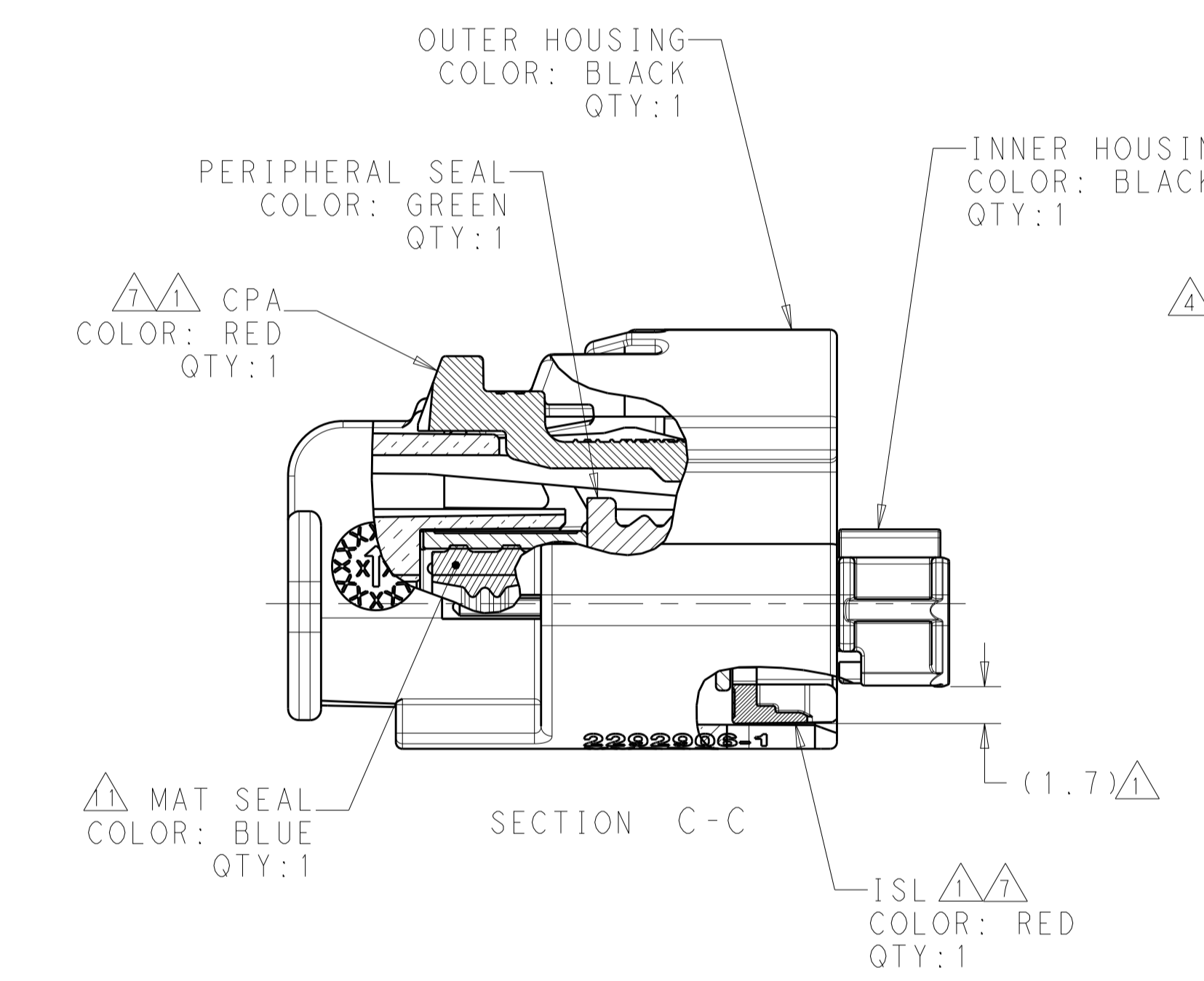


REVISIONS					
P.	LTN.	DESCRIPTION	DATE	DWN.	APVD.
A		RELEASED PER ECO-16-008083	27MAY2016	CS	JS
A1		REVISED PER ECO-16-014329	03OCT2016	JDS	JDS
B		REVISED PER ECO-17-008034	07AUG2017	JDS	JDS
B1		REVISED PER ECO-20-001920	22JAN2020	NRS	NRS

1. ISL AND CPA (OPTIONAL) ARE SHIPPED IN THEIR PRE-LATCHED POSITIONS.
2. TERMINALS SOLD SEPARATELY. FOR USE WITH TE MCON 1.2mm CLEAN BODY STANDARD RECEPTACLE CONTACT. SEE TABLE.
3. APPLICABLE INTERFACE DRAWINGS : TE 2295114.
4. MINIMUM FEED-THROUGH CONDITION WITH 1.0mm CLEARANCE ALL AROUND
5. TE PART NUMBER AND DATE CODE (YY = TWO DIGIT YEAR, JJJ = 3 DIGIT JULIAN DAY. MARKED IN APPROX. AREA SHOWN.
6. FOR OPTIONAL TERMINAL CAVITY BLOCKING, REFER TO INSTRUCTION SHEET 408-32256 OR CONTACT TE SALES REPRESENTATIVE OR CUSTOMER SERVICE.
7. SEE INSTRUCTION SHEET 408-32256 FOR CONNECTOR SERVICE AND ISL OPERATION
8. PRIMARY LOCK TERMINAL RETENTION FORCE 25N MINIMUM.
9. CONTACT PLATING IS APPLICATION DEPENDENT, CONTACT TE SALES REPRESENTATIVE OR CUSTOMER SERVICE FOR DETAILS
10. FOR WIRE CRIMP DETAILS, SEE TE APPLICATION SPECIFICATION 114-18464.
11. WIRE INSULATION DIAMETER RANGE:  $\varnothing$ 1.4-2.1.
12. CONNECTOR SHOWN CAN BE USED WITH THE FOLLOWING WIRE DRESS COVERS:  
STRAIGHT EXIT: TE PN 2272168-1  
OR RIGHT ANGLE EXIT: TE PN 2272169-1  
WIRE DRESS COVERS ARE PURCHASED SEPARATELY.
13. CONNECTOR SHOWN MATES WITH 2P CAP: 2292937-1 (KEY A) OR 2292937-2 (KEY B).
14. INGRESS PROTECTION LEVEL FOR WIRE DIA 1.4-1.55 IS EQUAL TO IP53 STANDARD AND FOR 1.55-2.2 TO USCAR2 STANDARD.



125°C	9	1670144 0.50mm <sup>2</sup> - 0.75mm <sup>2</sup> (INCLUDES #20 AWG)	10	10	(2.05)
		1534594 0.25mm <sup>2</sup> - 0.35mm <sup>2</sup> (INCLUDES #22 AWG)			(1.85)
MAX TEMP	TERMINAL PLATING	FEMALE TERMINAL P/N WIRE SIZE	W.C.H	W.C.W	I.C.D

THIS DRAWING IS A CONTROLLED DOCUMENT.

DIMENSIONS:	TOLERANCES UNLESS OTHERWISE SPECIFIED:	DWN J MCNEAL 17AUG2015	17AUG2015
mm	0 PLC ±	CHK J SANDBURG 17AUG2015	17AUG2015
	1 PLC ±	APVD J SANDBURG 17AUG2015	17AUG2015
	2 PLC ±	PRODUCT SPEC	108-151045
	3 PLC ±	APPLICATION SPEC	114-151045
	4 PLC ±	SIZE	A1
	ANGLES ±	WEIGHT	4.5 g
MATERIAL	FINISH	CUSTOMER DRAWING	SCALE 4:1 SHEET 1 OF 1 REV B1

KEY CODE "B" 2292906-2  
KEY CODE "A" 2292906-1  
KEY CONFIGURATION PART NUMBER

**STE** TE Connectivity  
NAME PLUG ASSEMBLY, SEALED, 2 POSITION  
RESTRICTED TO

## X-ON Electronics

Largest Supplier of Electrical and Electronic Components

*Click to view similar products for [Automotive Connectors](#) category:*

*Click to view products by [TE Connectivity](#) manufacturer:*

Other Similar products are found below :

[003-018-000](#) [60403001](#) [60993906-B](#) [M902-2131](#) [M902-2161](#) [72.330.1035.1](#) [73.353.4028.0](#) [F119300-B](#) [F166900](#) [F258300-B](#) [F358300-B](#)  
[F407400](#) [F444110](#) [F487000](#) [F509500B-B](#) [827153-1](#) [8N1515-32-24P](#) [9-1326729-8](#) [925474-1](#) [928905-1](#) [964562-4](#) [968782-1](#) [GT17SA-8DS-](#)  
[HU](#) [98891-1012](#) [98947-1016](#) [12004147](#) [12004475-L](#) [12010290](#) [12010309-B](#) [12015454](#) [12020219-B](#) [12020308](#) [12041318-B](#) [12052225-L](#)  
[12052466](#) [12059125](#) [12064869](#) [12004327-B](#) [12010503-B](#) [12015308](#) [12015384](#) [12015909](#) [1-21030-1](#) [12041254](#) [12041318](#) [12047946-B](#)  
[12047957](#) [12047957-L](#) [12059473](#) [12066261](#)