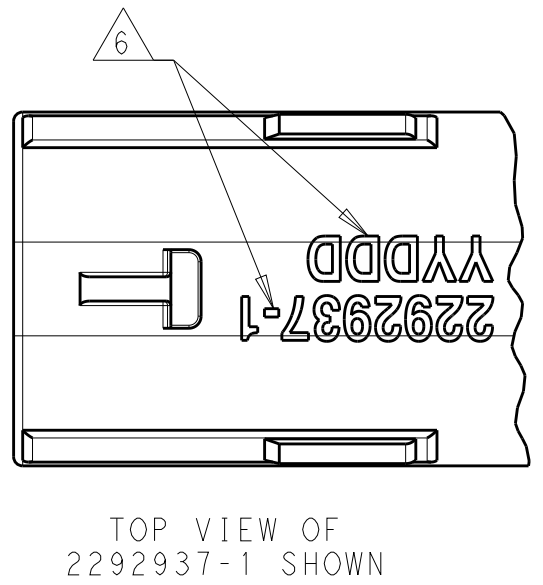
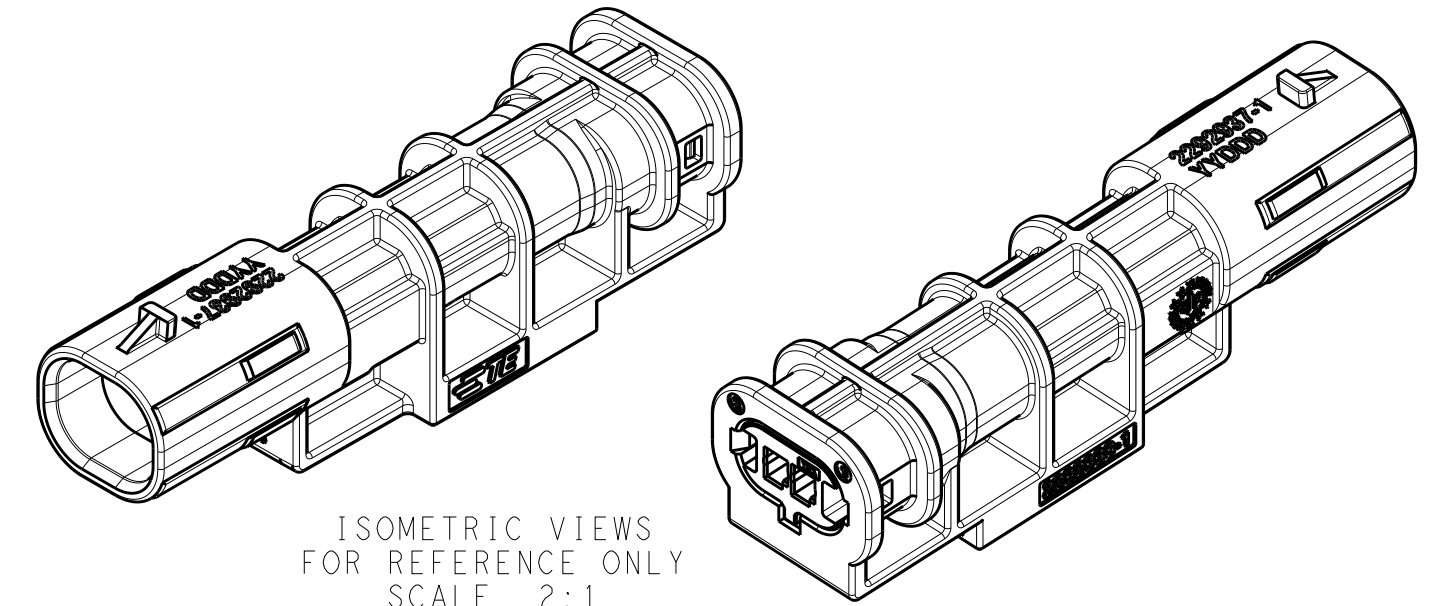
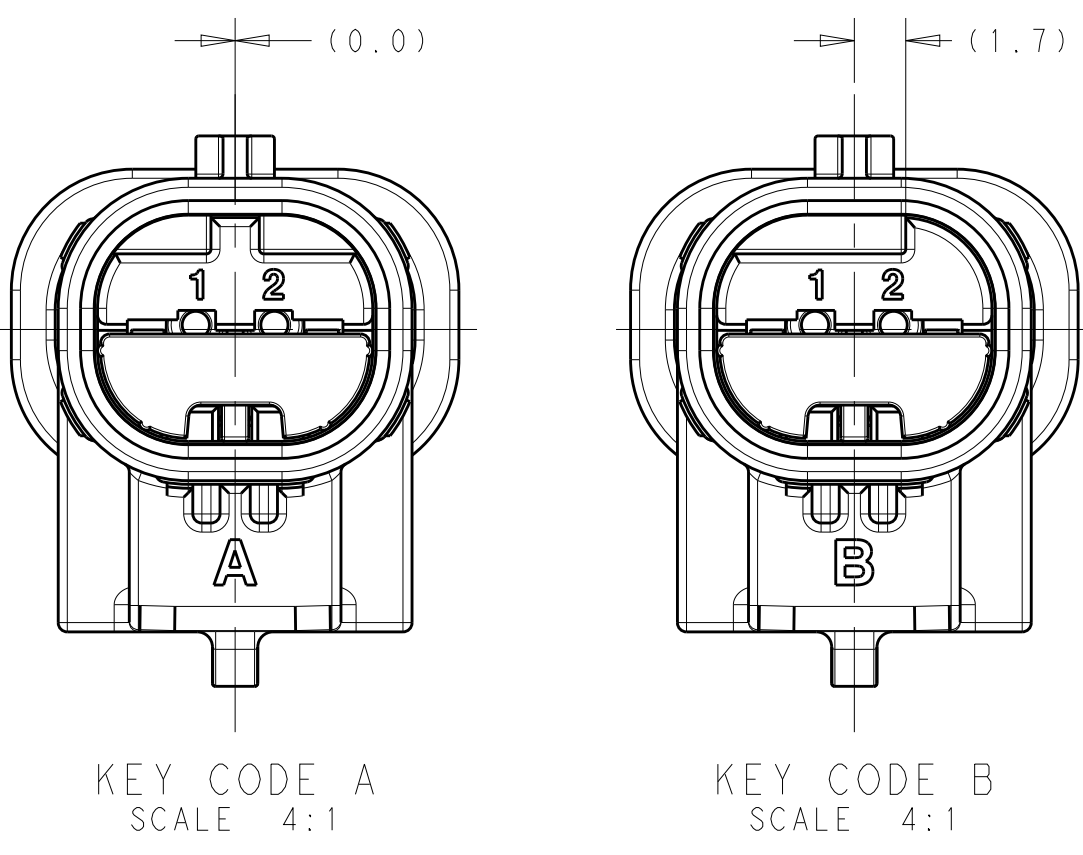
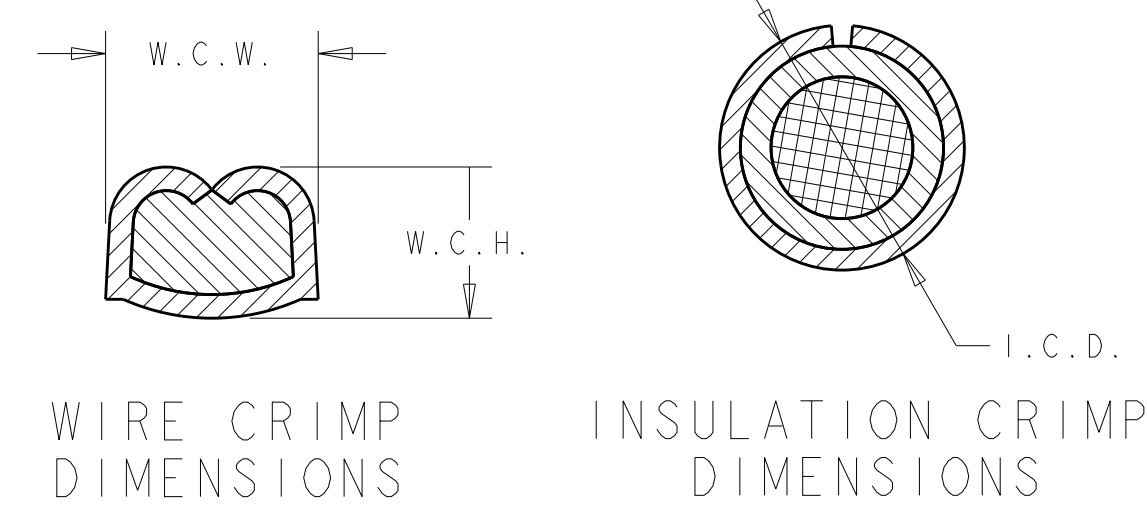
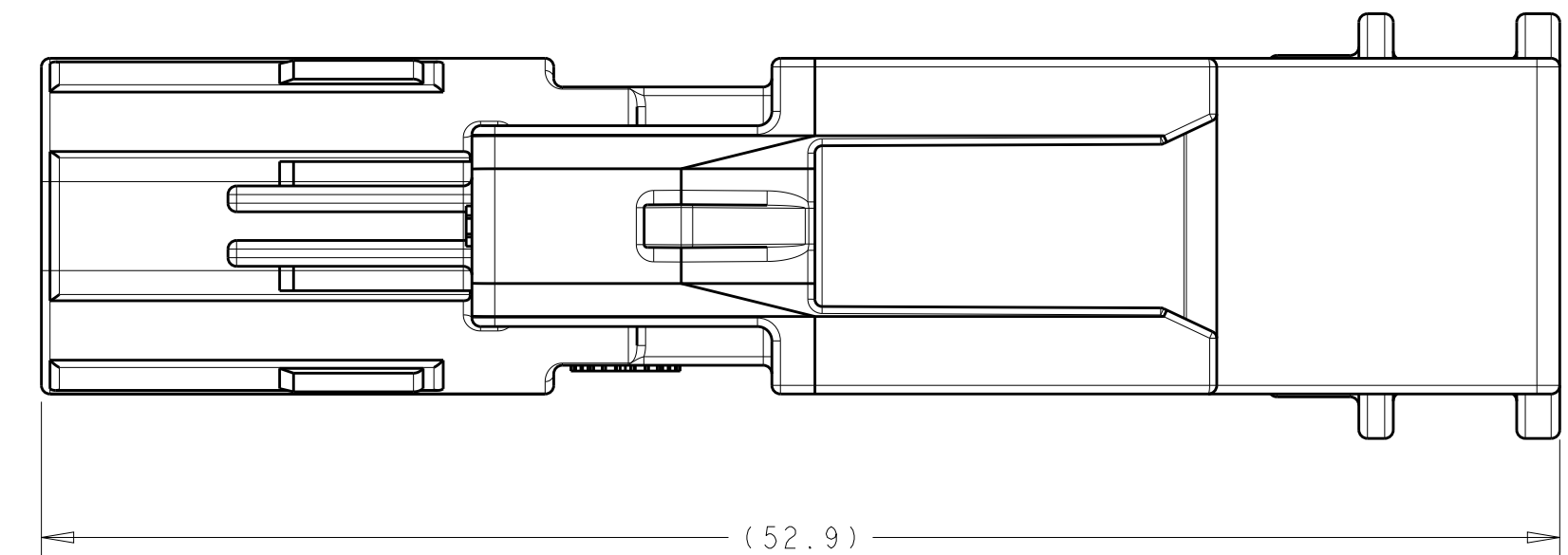
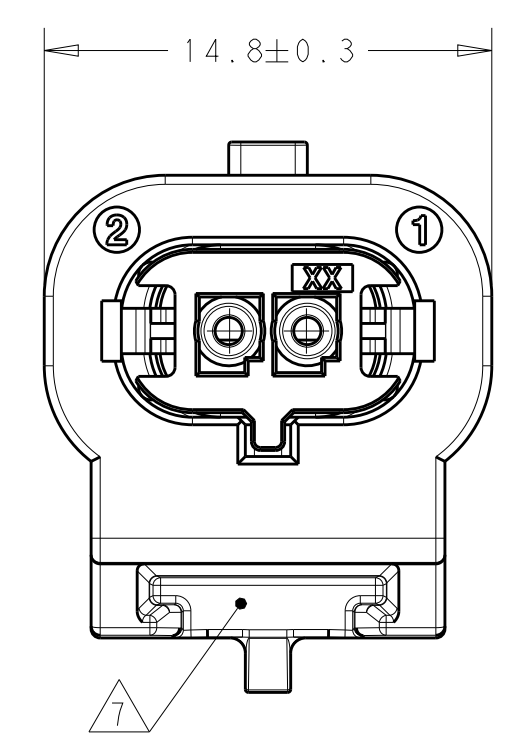
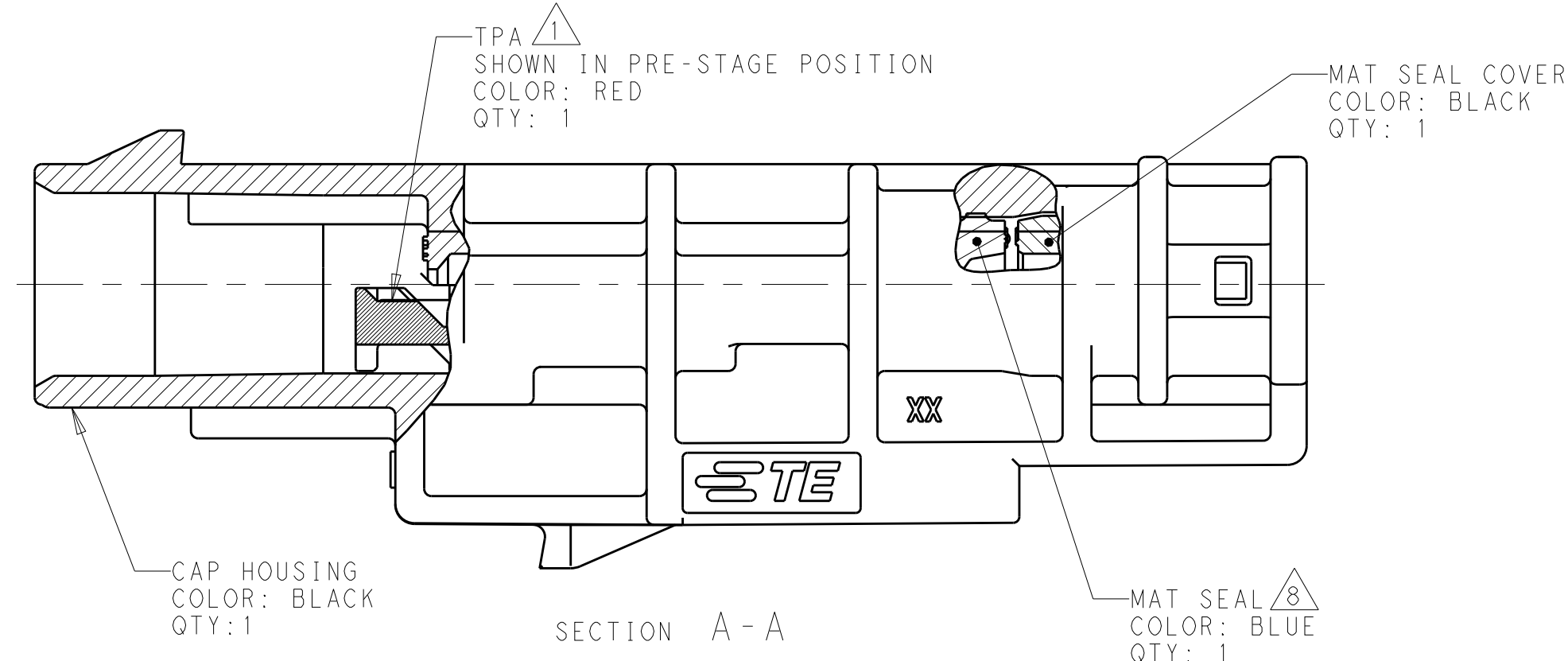
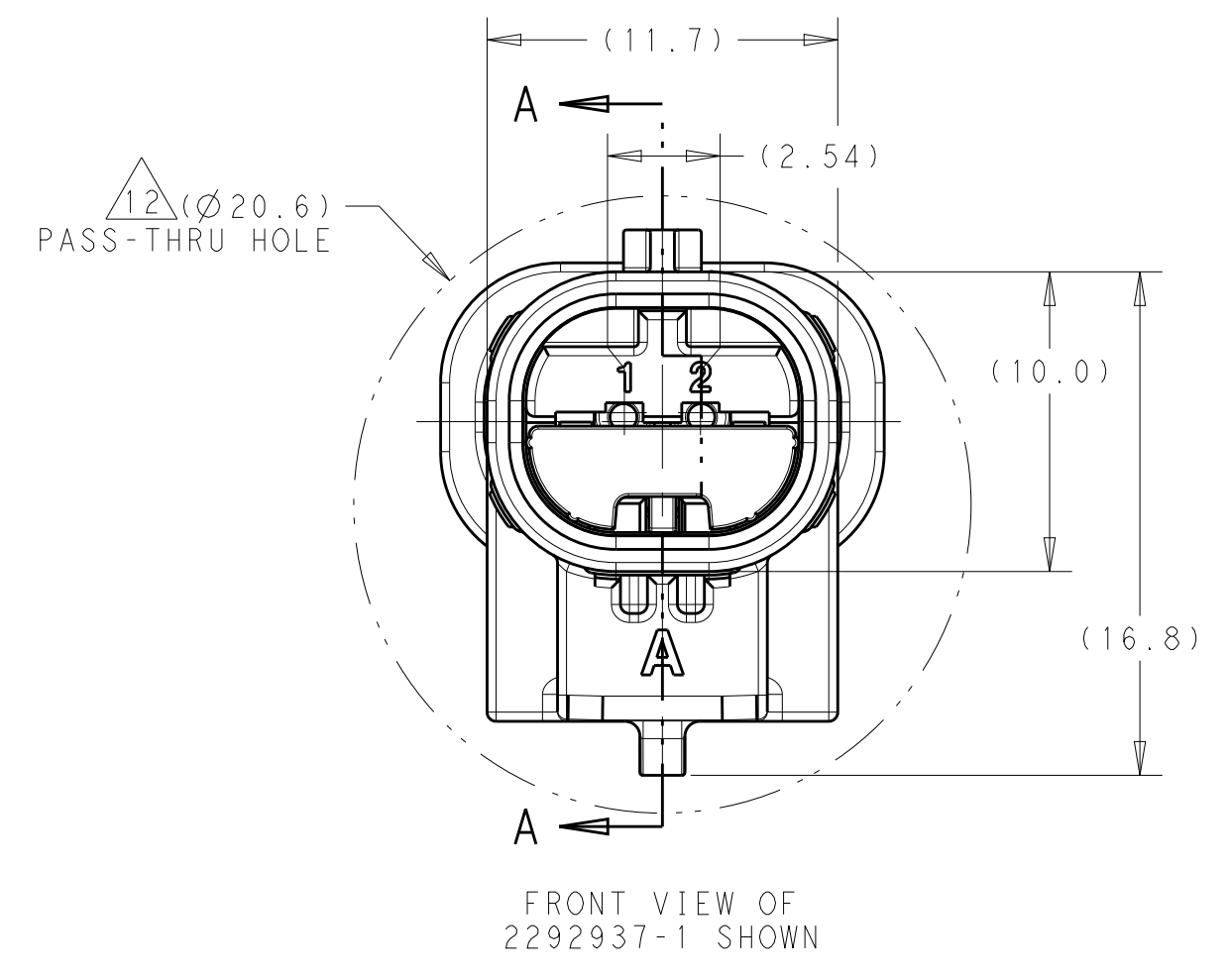
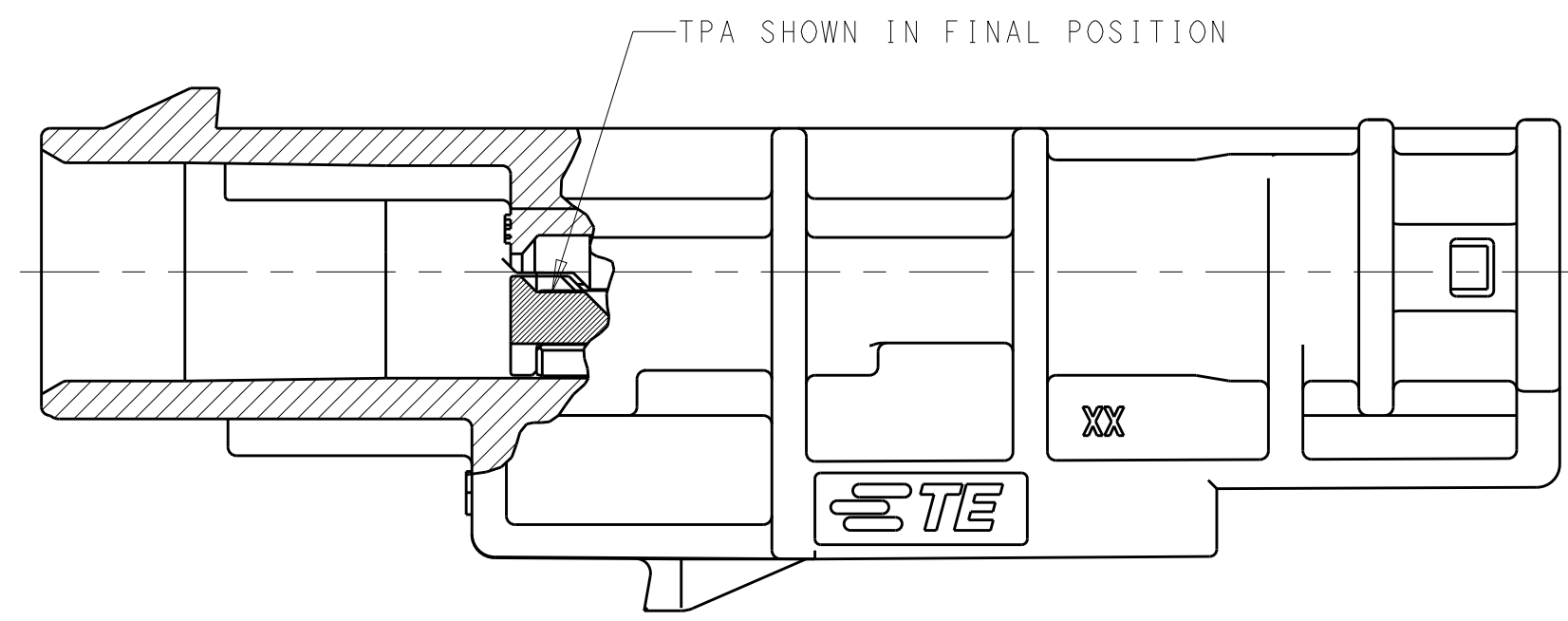


REVISIONS					
P.	LTN.	DESCRIPTION	DATE	DWN.	APVD.
A		RELEASED PER ECO-16-008083	27MAY2016	CS	JS
B		REVISED PER ECO-17-007896	08AUG2017	JDS	JDS
B1		REVISED PER ECO-20-001920	10FEB2020	NRS	NRS



1. CAP ASSEMBLY IS SHIPPED WITH TPA IN PRE-STAGED POSITION. SEE INSTRUCTION SHEET 408-32254 FOR CONNECTOR SERVICE AND TPA OPERATION.
2. TERMINALS SOLD SEPARATELY. FOR USE WITH TE MCON 1.2mm CLEAN BODY STANDARD TAB CONTACT. SEE TABLE.
3. FOR OPTIONAL TERMINAL CAVITY BLOCKING, REFER TO INSTRUCTION SHEET 408-32254 OR CONTACT TE SALES REPRESENTATIVE OR CUSTOMER SERVICE.
4. CONTACT PLATING IS APPLICATION DEPENDENT. CONTACT TE SALES REPRESENTATIVE OR CUSTOMER SERVICE FOR DETAILS.
5. FOR WIRE CRIMP DETAILS, SEE TE APPLICATION SPECIFICATION 114-18464.
6. TE PART NUMBER AND DATE CODE (YY = TWO DIGIT YEAR, JJJ = 3 DIGIT JULIAN DAY, MARKED IN APPROX. AREA SHOWN).
7. CAP ASSEMBLY ACCEPTS ACCESSORY CLIPS DESIGNED TO FUNCTION IN CLIP SLOT DEFINED BY EWCAP-005-7 (7mm CLIP SLOT), REVISION B.
8. WIRE INSULATION DIAMETER RANGE:  $\varnothing 1.4-2.1$ .
9. REFERENCE TE INTERFACE DRAWING (2295114) FOR MISSING DIMENSIONS.
10. CONNECTOR SHOWN CAN BE USED WITH THE FOLLOWING WIRE DRESS COVERS: STRAIGHT EXIT: TE PN 2272168-1 OR RIGHT ANGLE EXIT: TE PN 2272169-1 WIRE DRESS COVERS ARE PURCHASED SEPARATELY.
11. CONNECTOR SHOWN MATES WITH 2P PLUG: 2292906-1 (KEY A) OR 2292906-2 (KEY B).
12. MINIMUM FEED-THROUGH CONDITION WITH 1.0mm CLEARANCE ALL AROUND.
13. INGRESS PROTECTION LEVEL FOR WIRE DIA 1.4-1.55 IS EQUAL TO IP53 STANDARD AND FOR 1.55-2.2 TO USCAR2 STANDARD.



125°C		1718350 0.50mm <sup>2</sup> - 0.75mm <sup>2</sup> (INCLUDES #20 AWG)			(2.05)
		1718348 0.25mm <sup>2</sup> - 0.35mm <sup>2</sup> (INCLUDES #22 AWG)			(1.85)
MAX TEMP	TERMINAL PLATING	MALE TERMINAL P/N WIRE SIZE	W.C.H	W.C.W	I.C.D

THIS DRAWING IS A CONTROLLED DOCUMENT.

DIMENSIONS:	TOLERANCES UNLESS OTHERWISE SPECIFIED:	DWN J MCNEAL 20OCT2015	CHK J SANDBURG 23OCT2015	APVD D KLEIN 12JAN2016	NAME
mm	0 PLC ± 1 PLC ± 2 PLC ± 3 PLC ± 4 PLC ± ANGLES ±	PRODUCT SPEC	108-151045	APPLICATION SPEC	114-151045
MATERIAL	FINISH	WEIGHT	5.9 g	CUSTOMER DRAWING	

TE Connectivity

1718350  
1718348

108-151045

114-151045

5.9 g

SCALE 4:1 SHEET 1 OF 1 REV B1

## X-ON Electronics

Largest Supplier of Electrical and Electronic Components

*Click to view similar products for [Automotive Connectors](#) category:*

*Click to view products by [TE Connectivity](#) manufacturer:*

Other Similar products are found below :

[003-018-000](#) [60403001](#) [60993906-B](#) [M902-2131](#) [M902-2161](#) [M902-2344](#) [72.330.1035.1](#) [73.353.4028.0](#) [F119300-B](#) [F166900](#) [F258300-B](#)  
[F358300-B](#) [F407400](#) [F444110](#) [F487000](#) [F509500B-B](#) [827153-1](#) [8N1515-32-24P](#) [9-1326729-8](#) [925474-1](#) [928905-1](#) [964562-4](#) [968782-1](#)  
[GT17SA-8DS-HU](#) [98891-1012](#) [98947-1016](#) [12004147](#) [12004475-L](#) [12010290](#) [12010309-B](#) [12015454](#) [12020219-B](#) [12041318-B](#) [12052225-](#)  
[L](#) [12052466](#) [12064869](#) [12004327-B](#) [12015308](#) [12015384](#) [12015909](#) [1-21030-1](#) [12041254](#) [12041318](#) [12047946-B](#) [12047957](#) [12047957-L](#)  
[12059473](#) [12066261](#) [12110546](#) [12110546-B](#)