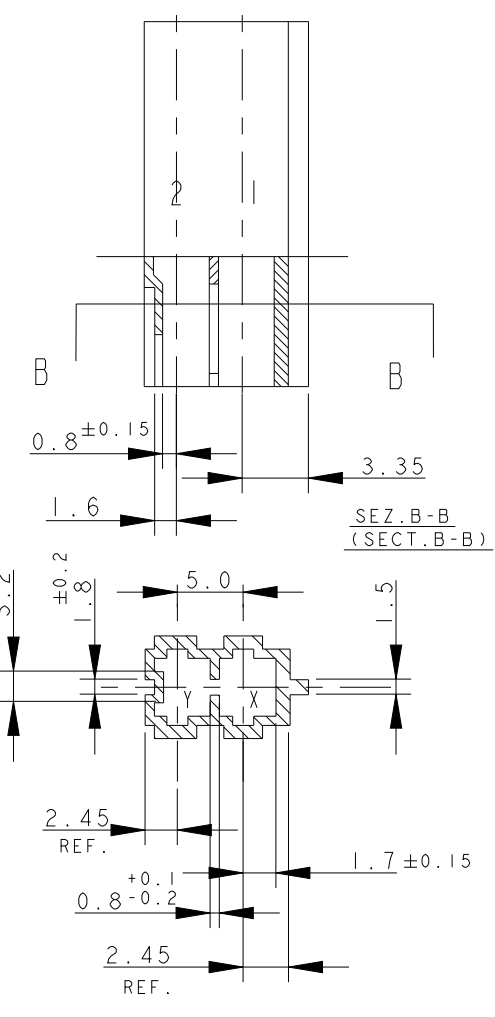


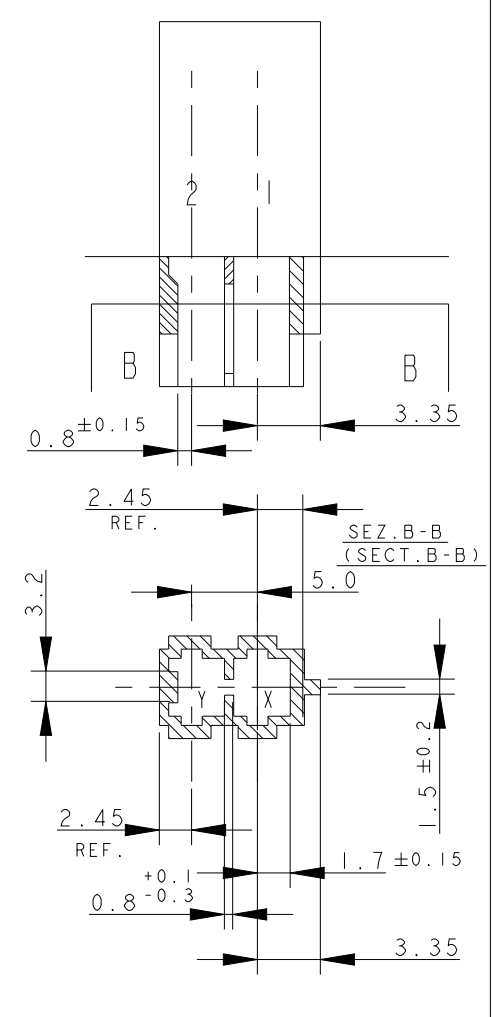
THIS DRAWING IS UNPUBLISHED. RELEASED FOR PUBLICATION
 © COPYRIGHT copyright.d8Te- ALL RIGHTS RESERVED.

REVISIONS					
P	LTR	DESCRIPTION	DATE	DWN	APVD
Z39	ECR-21-103265		19MAY2021	SM	FL
Z40	ECR-21-108462		10AUG2021	SM	FL
Z41	ECR-21-110402		01SEP2021	KD	FL
Z42	ECR-21-115913		04OCT2021	SM	FL

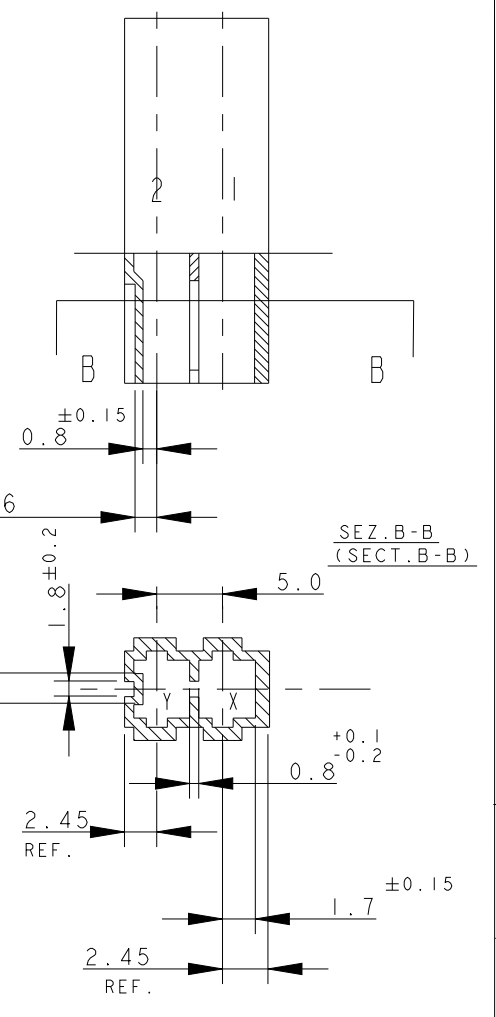
RAPPRESENTAZIONE GRAFICA DEI P/Ns:
 (GRAPHICAL REPRESENTATION OF P/Ns:)
 x-282042-1



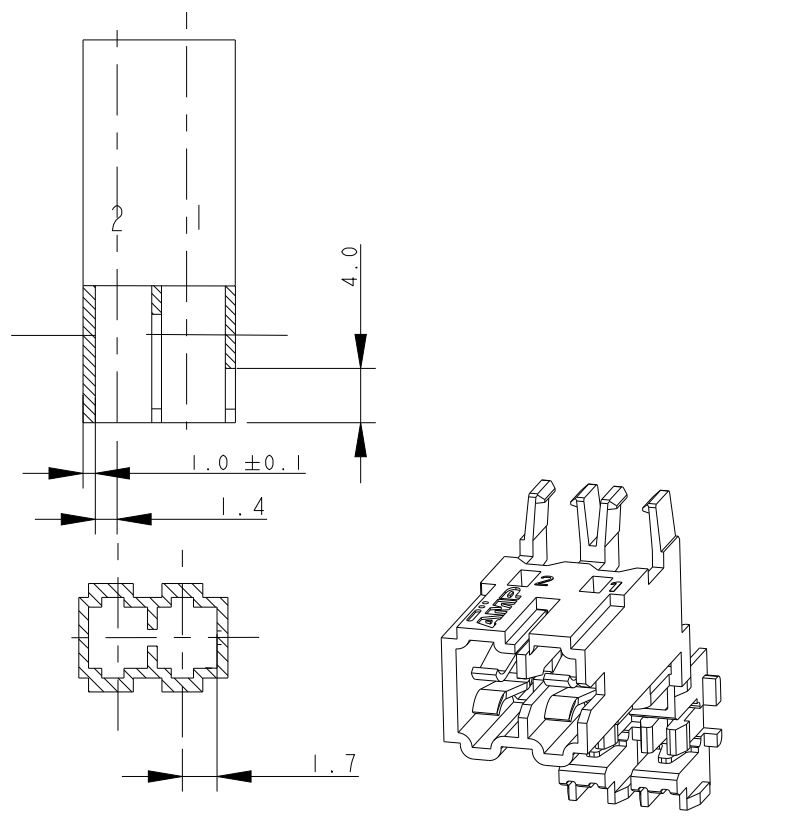
RAPPRESENTAZIONE GRAFICA DEI P/Ns:
 (GRAPHICAL REPRESENTATION OF P/Ns:)
 x-282042-2



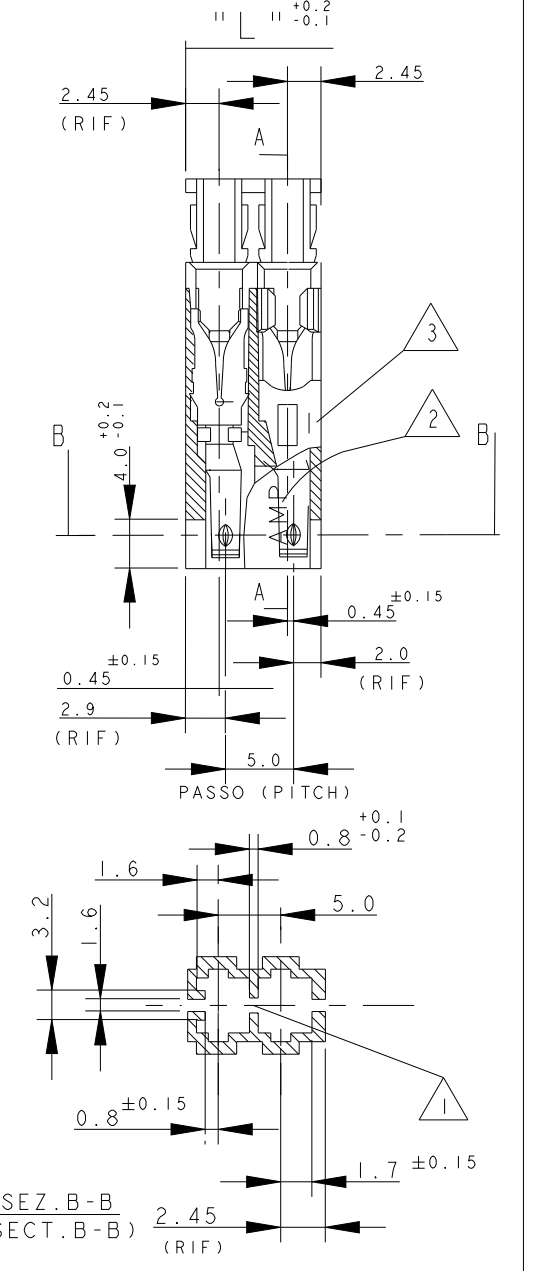
RAPPRESENTAZIONE GRAFICA DEI P/Ns:
 (GRAPHICAL REPRESENTATION OF P/Ns:)
 x-282042-3 & 0-2293372-2 & x-2298752-2



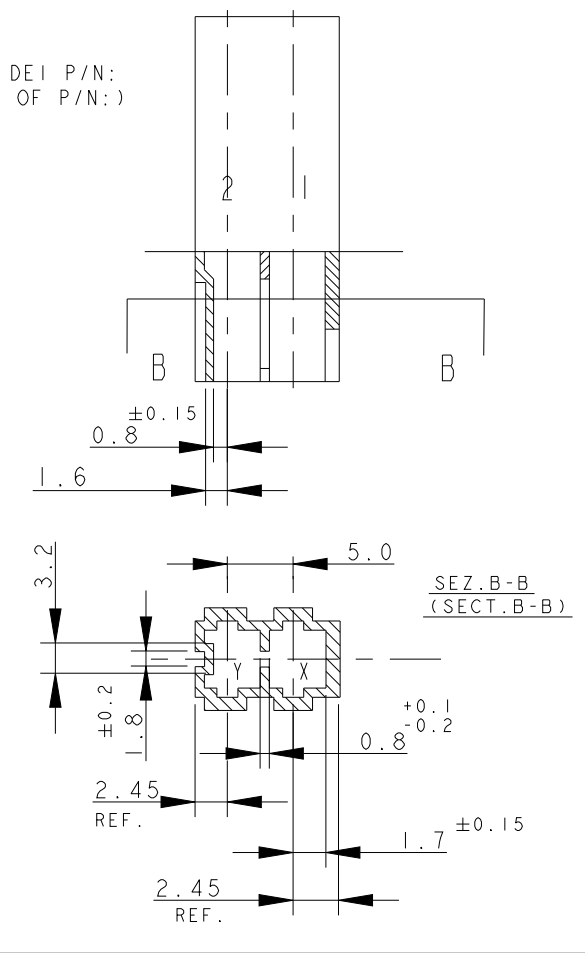
DETAILS FOR x-284561-2



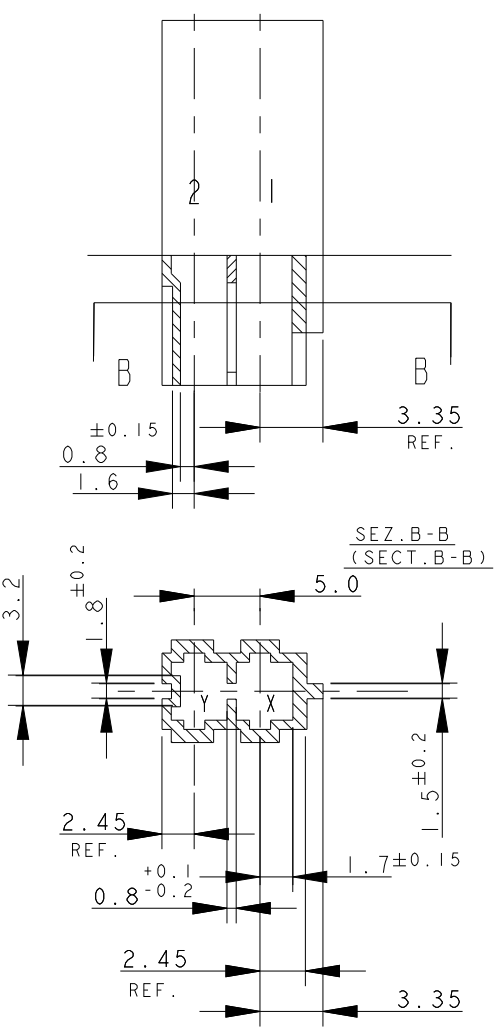
RAPPRESENTAZIONE GRAFICA DEI P/Ns:
 (GRAPHICAL REPRESENTATION OF P/Ns:)
 x-284561-1



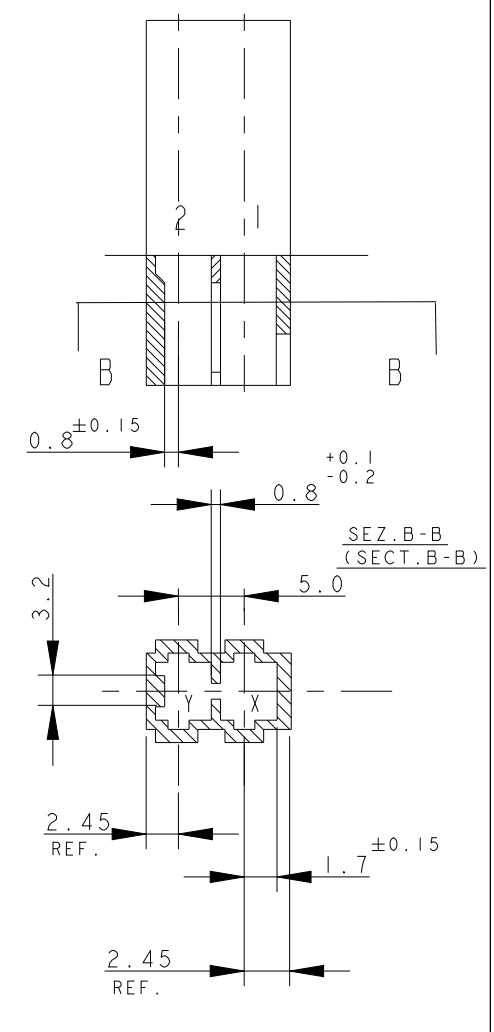
RAPPRESENTAZIONE GRAFICA DEI P/Ns:
 (GRAPHICAL REPRESENTATION OF P/Ns:)
 1-2293372-2



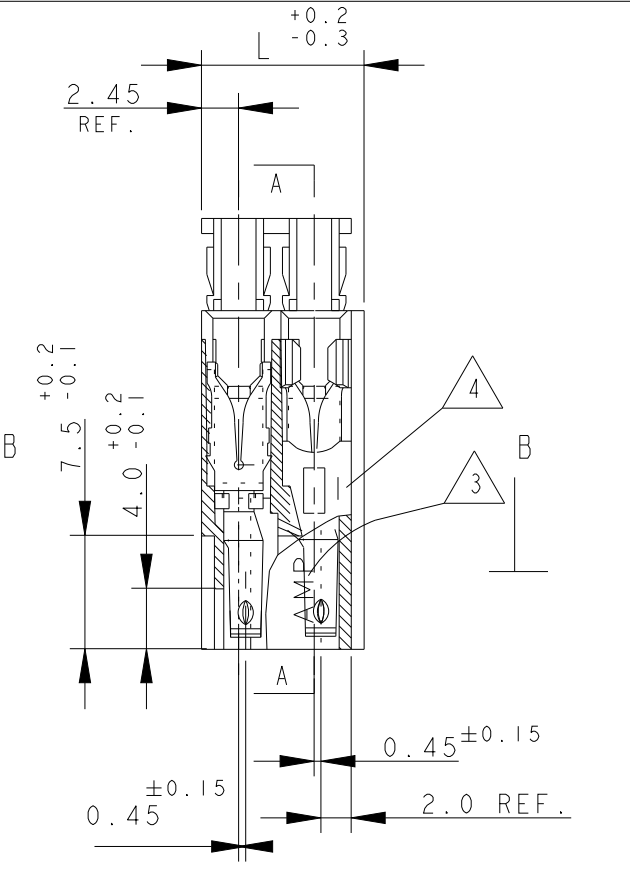
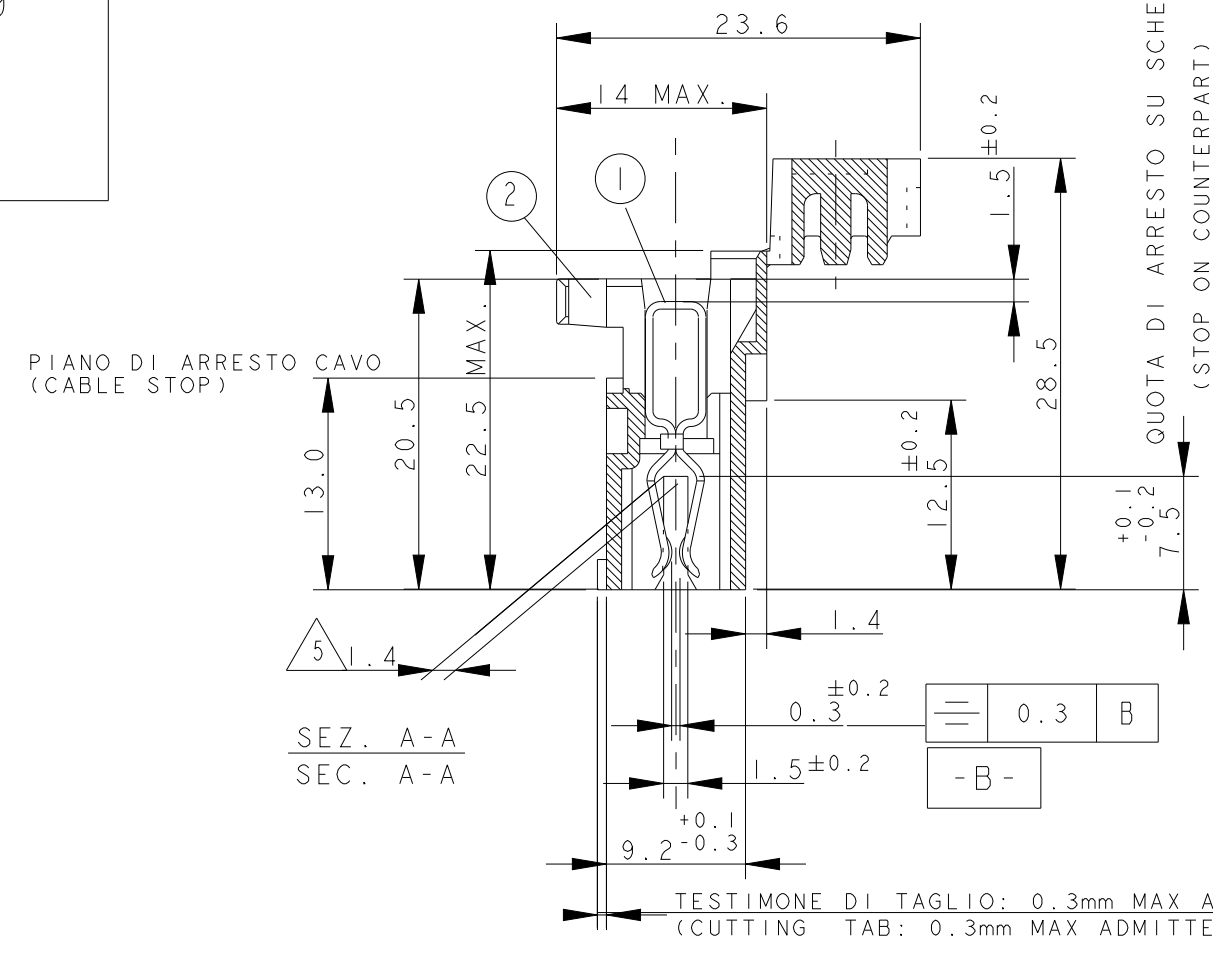
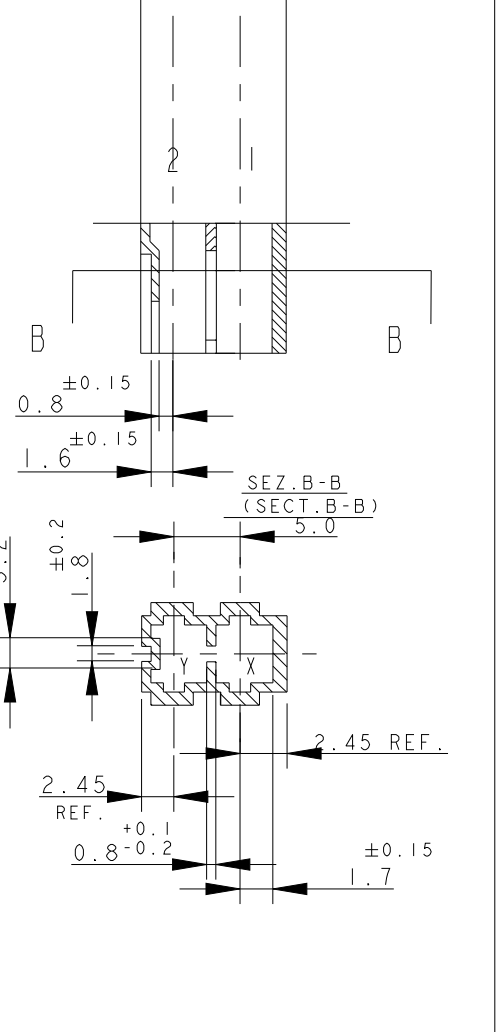
RAPPRESENTAZIONE GRAFICA DEI P/Ns:
 (GRAPHICAL REPRESENTATION OF P/Ns:)
 x-282042-4



RAPPRESENTAZIONE GRAFICA DEI P/Ns:
 (GRAPHICAL REPRESENTATION OF P/Ns:)
 x-282042-5, 2-2293372-2



RAPPRESENTAZIONE GRAFICA DEI P/Ns:
 (GRAPHICAL REPRESENTATION OF P/Ns:)
 x-282042-6



- 6) PN NOT YET RELEASED FOR PRODUCTION
- 7) SEE FURTHER SHEETS FOR PN TABLES
- 10) PER LE DIMENSIONI DELLE DIME DEL CIRCUITO STAMPATO VEDERE FOGLIO 5 E 6 (FOR PCB LAYOUT AND DIMENSIONS SEE SHEET 5 AND 6)

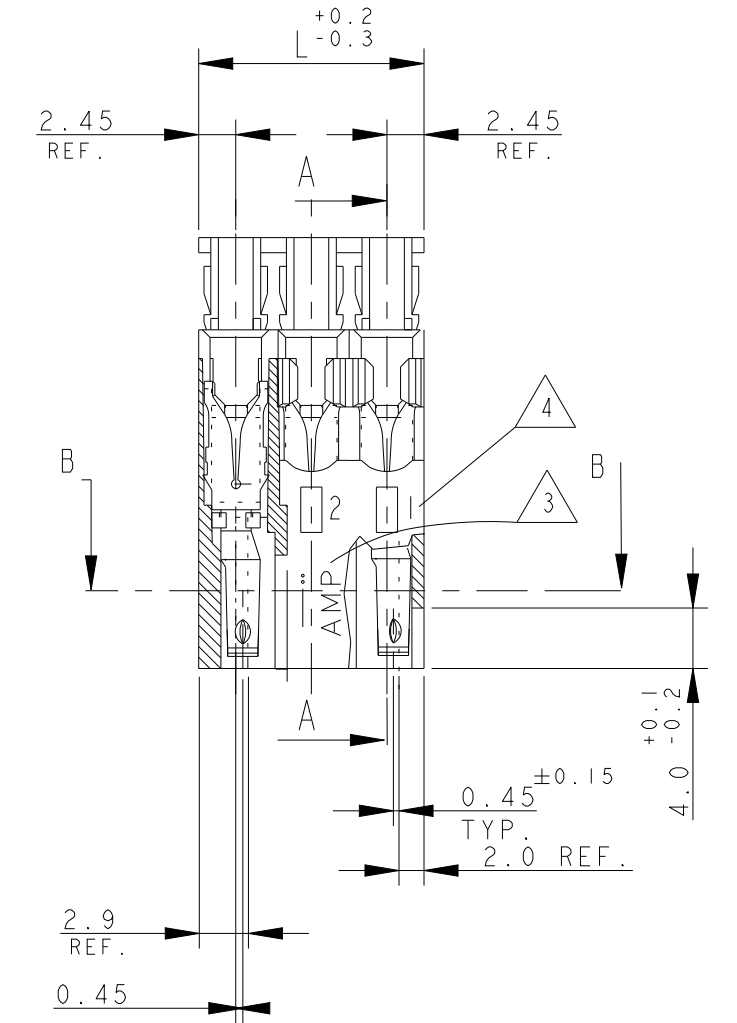
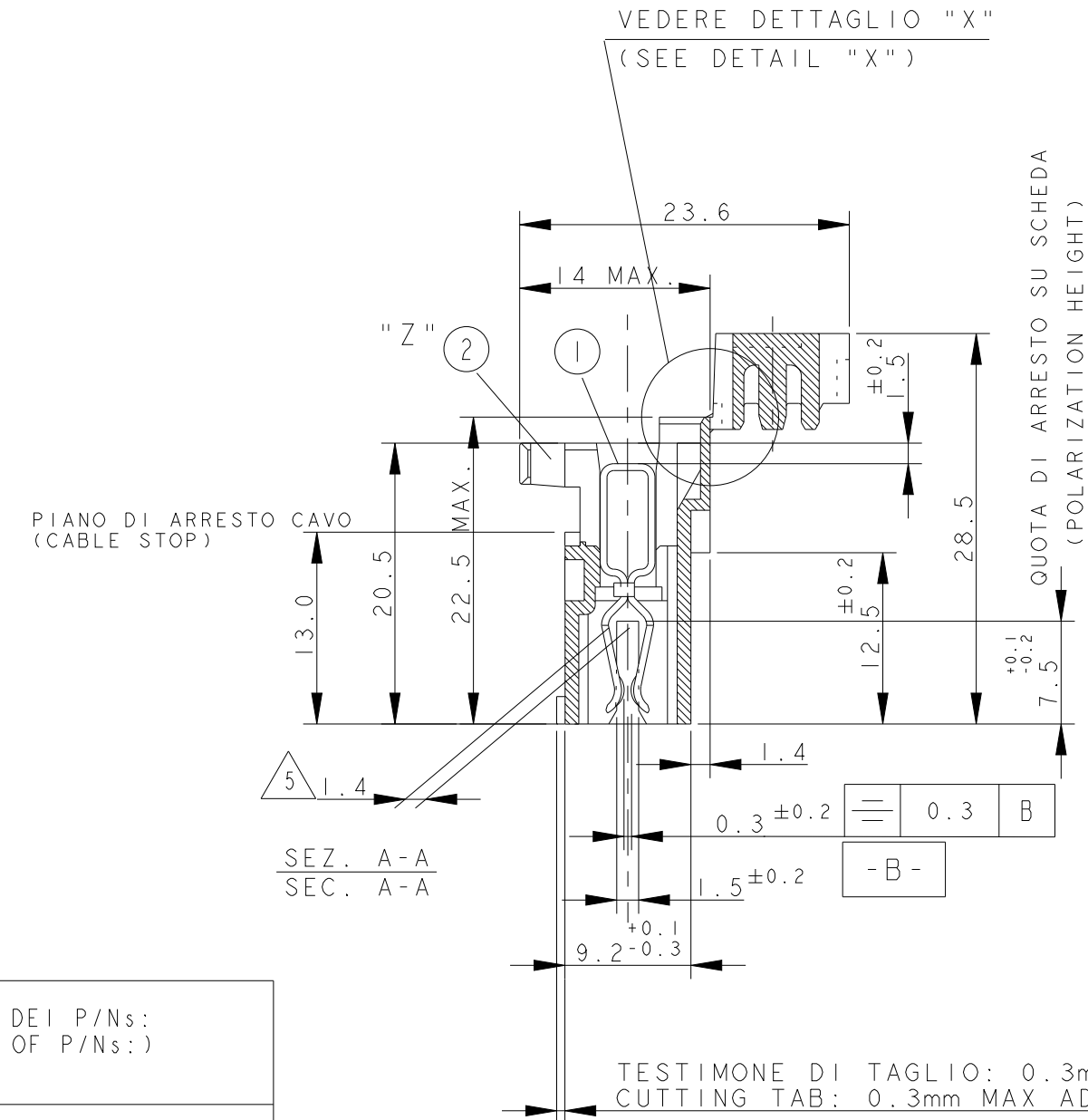
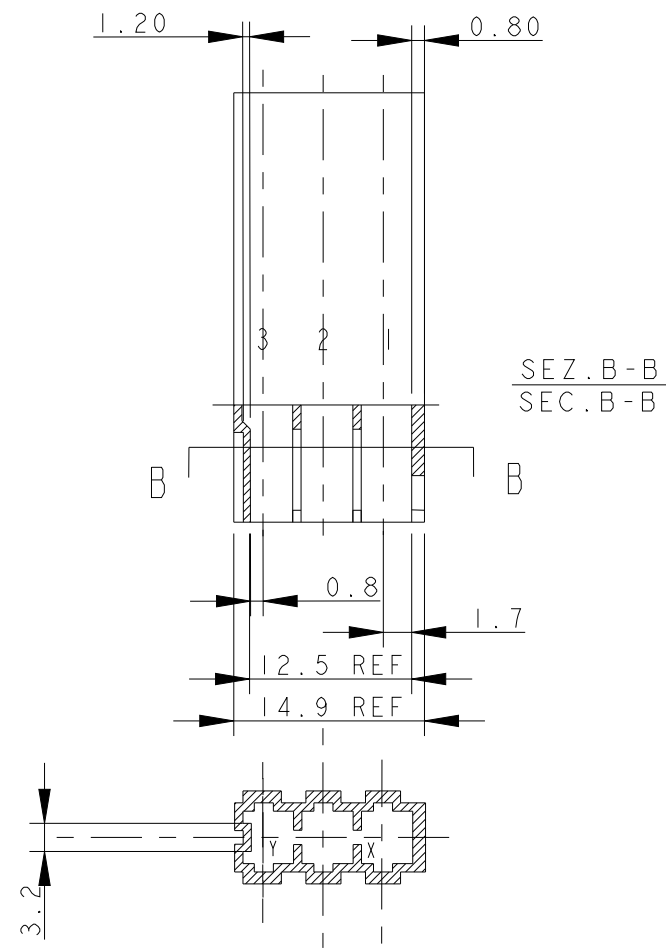
DIAM. ISOLANTE (INS. DIA. RANGE) 2.6 - 2.8
 RANGO FILO (WIRE RANGE) 0.5-0.75

THIS DRAWING IS A CONTROLLED DOCUMENT.		DWN C.CORDOLA 23JUL1996	 TE Connectivity
DIMENSIONS: mm		CHK G.TURCO 23JUL1996	
TOLERANCES UNLESS OTHERWISE SPECIFIED:		APVD G.TURCO 23JUL1996	
0 PLC ±0.3 1 PLC ±0.3 2 PLC ±0.3 3 PLC ±0.3 4 PLC ±0.3		PRODUCT SPEC 108-20067	
MATERIAL CONNETTORE NYLON (CONNECTOR NYLON) CONTATTO OTTONE (CONTACT BRASS)		FINISH STAGNATO (TIN PLATED)	NAME MONO-SHAPE, MK1 PCB CONNECTOR 2-12 POS.
		APPLICATION SPEC 114-20018	SIZE A2
		WEIGHT -	CAGE CODE 1
		CUSTOMER DRAWING	DRAWING NO G-282042
		SCALE 2:1	RESTRICTED TO
		SHEET 11	REV: Z42

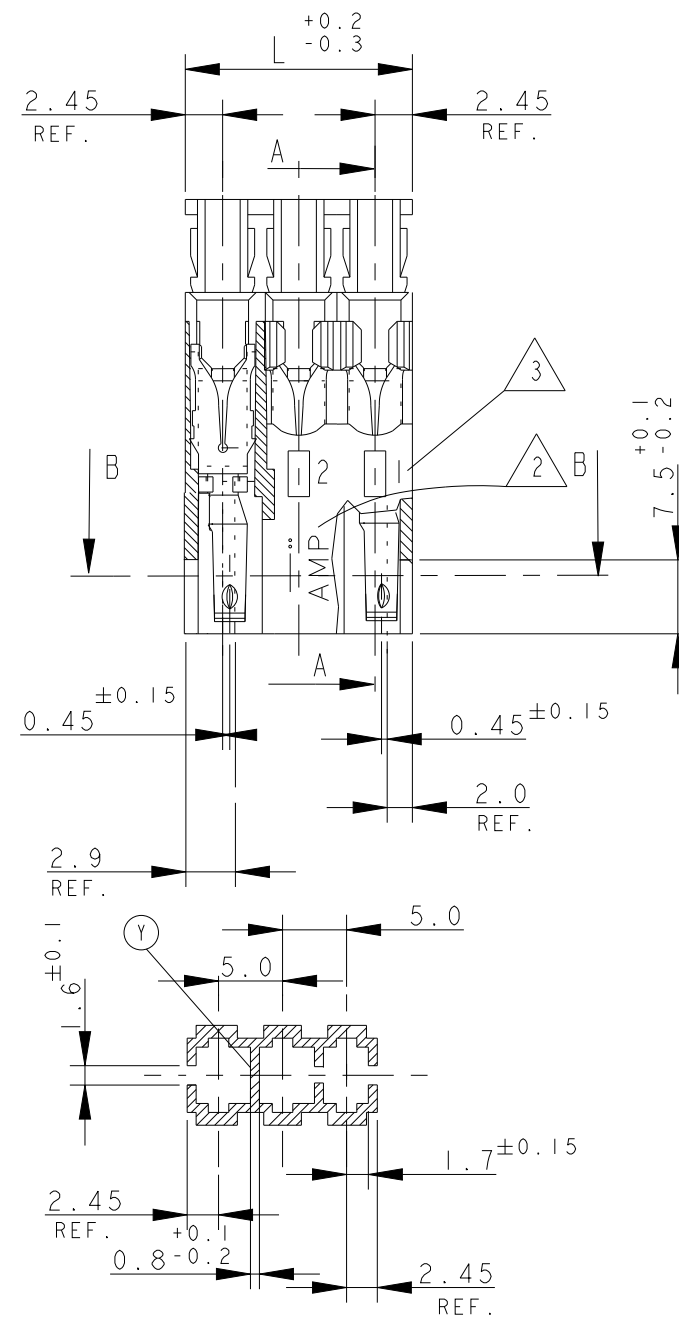
THIS DRAWING IS UNPUBLISHED. RELEASED FOR PUBLICATION
 © COPYRIGHT copyright dbTe- ALL RIGHTS RESERVED.

REVISIONS				
P	LTR	DESCRIPTION	DATE	APVD
-	-	SEE SHEET 1	-	-

RAPPRESENTAZIONE GRAFICA DEI P/Ns:
 (GRAPHICAL REPRESENTATION OF P/Ns:)
 284546-2



RAPPRESENTAZIONE GRAFICA DEI P/Ns:
 (GRAPHICAL REPRESENTATION OF P/Ns:)
 x-284546-1

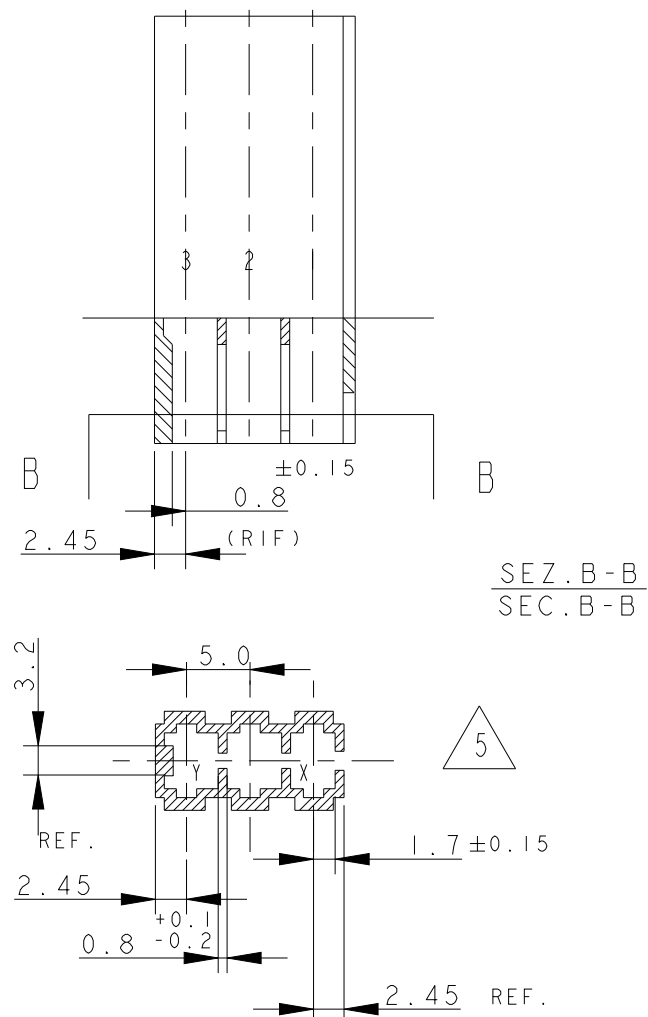


USCITA CAVI IN ALTO
 (CABLE EXIT IS UP)

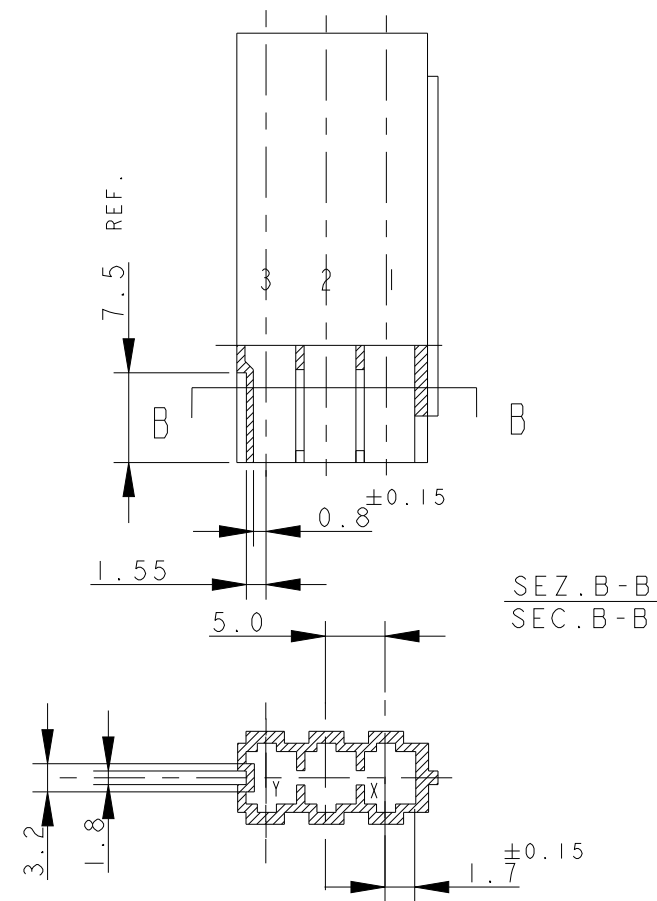
7) SEE FURTHER SHEETS FOR PN TABLES

10) PER LE DIMENSIONI DELLE DIME DEL CIRCUITO STAMPATO
 VEDERE FOGLIO 5 E 6
 (FOR PCB LAYOUT AND DIMENSIONS SEE SHEET 5 AND 6)

RAPPRESENTAZIONE GRAFICA DEI P/Ns:
 (GRAPHICAL REPRESENTATION OF P/Ns:)
 x-282043-2 and x-282043-3
 2293372-3



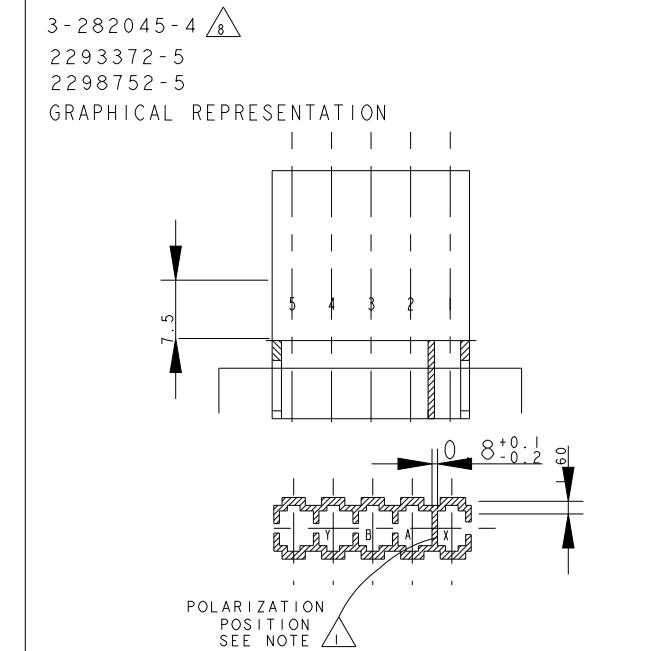
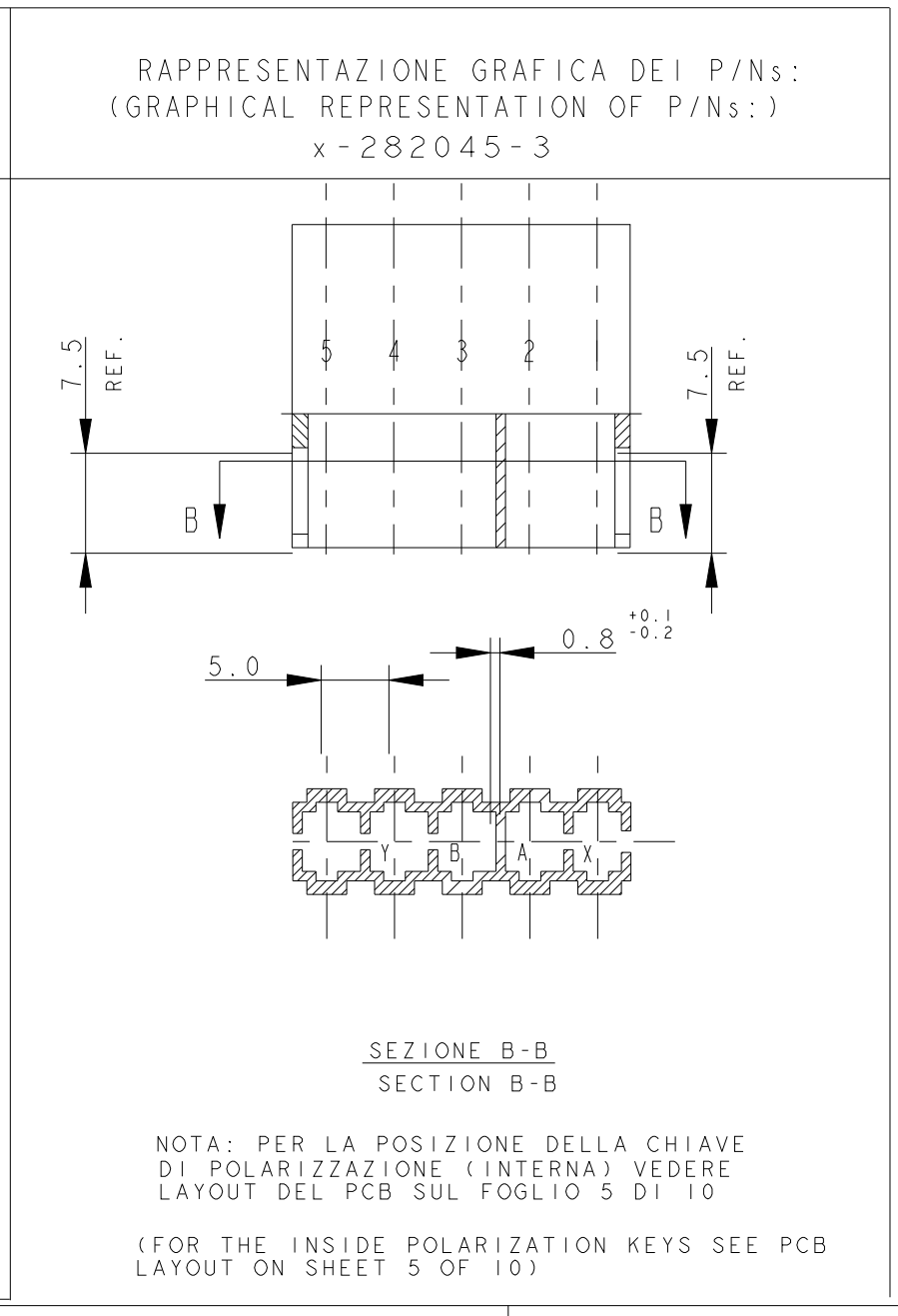
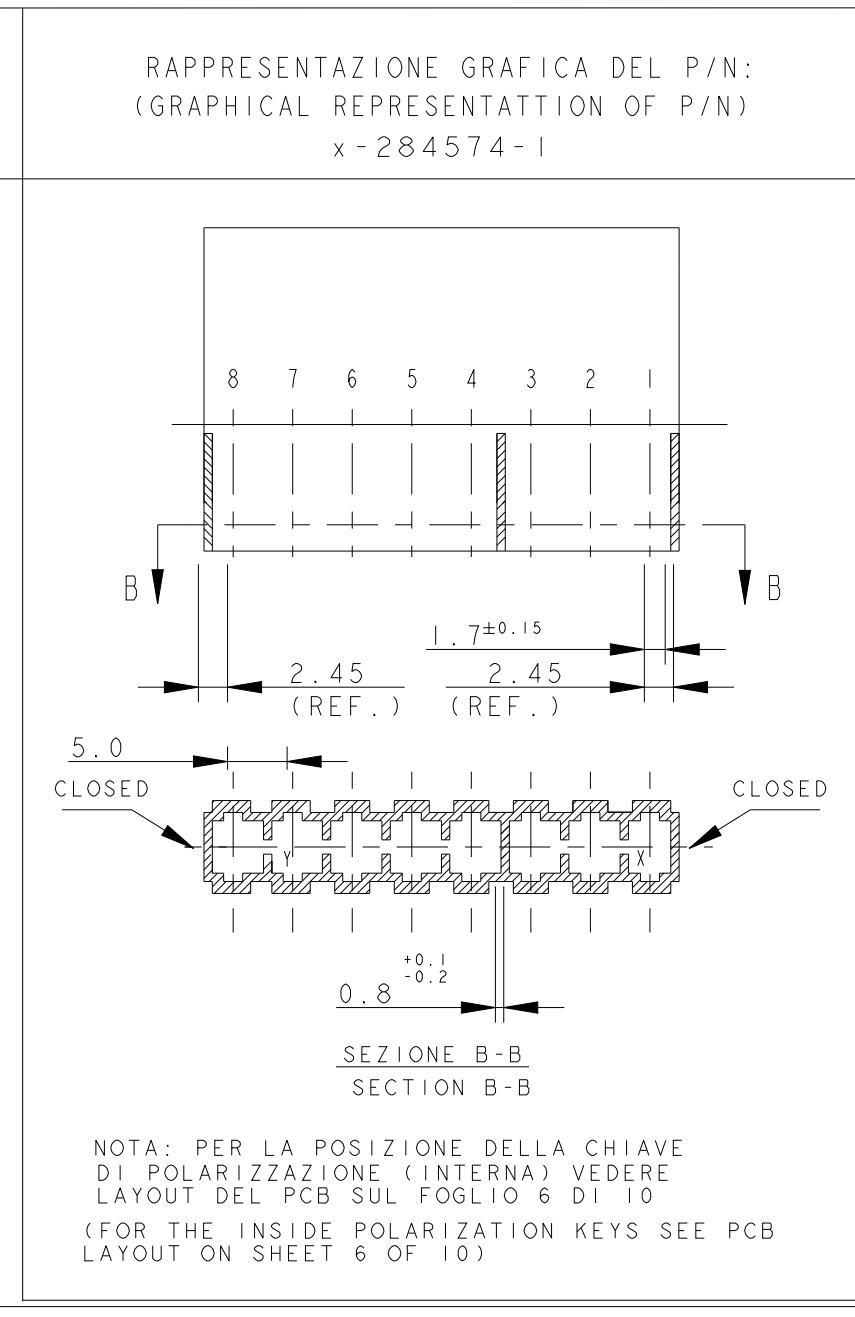
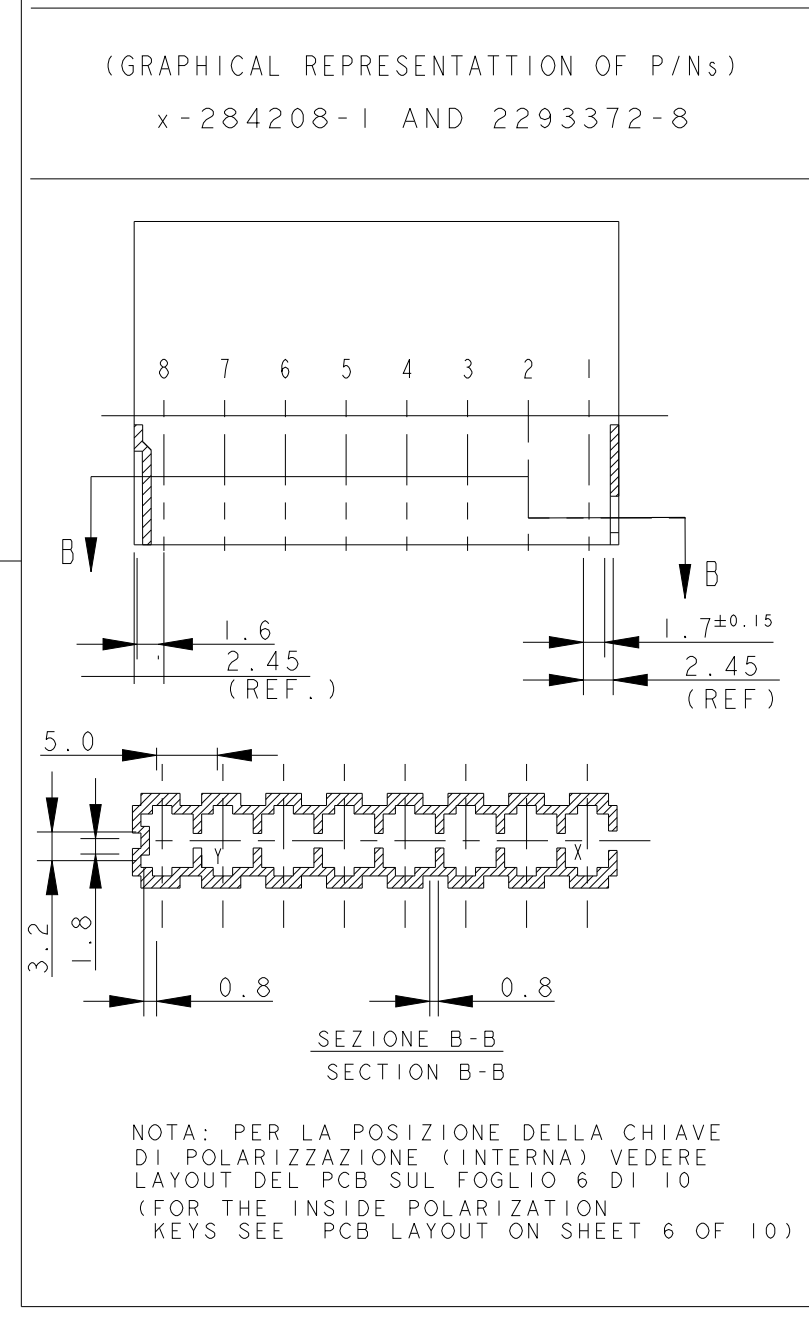
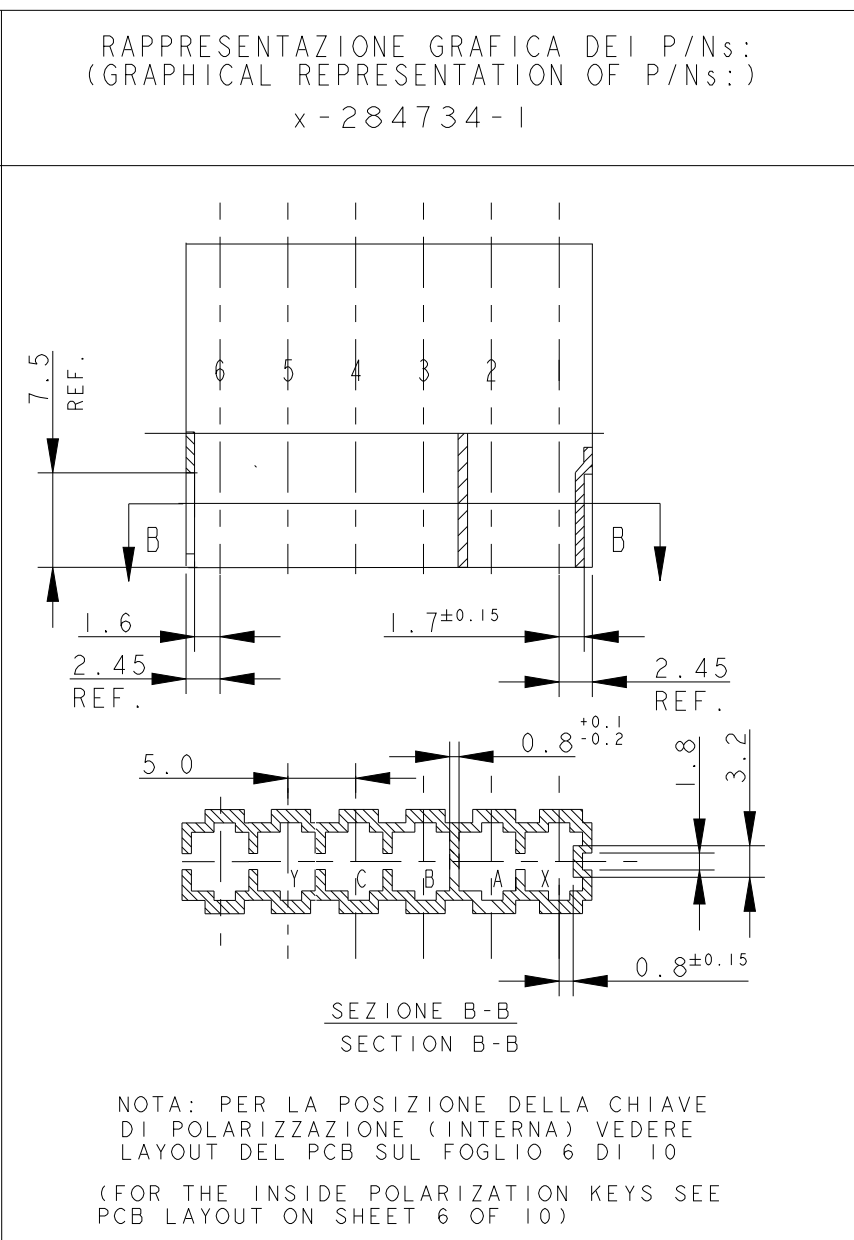
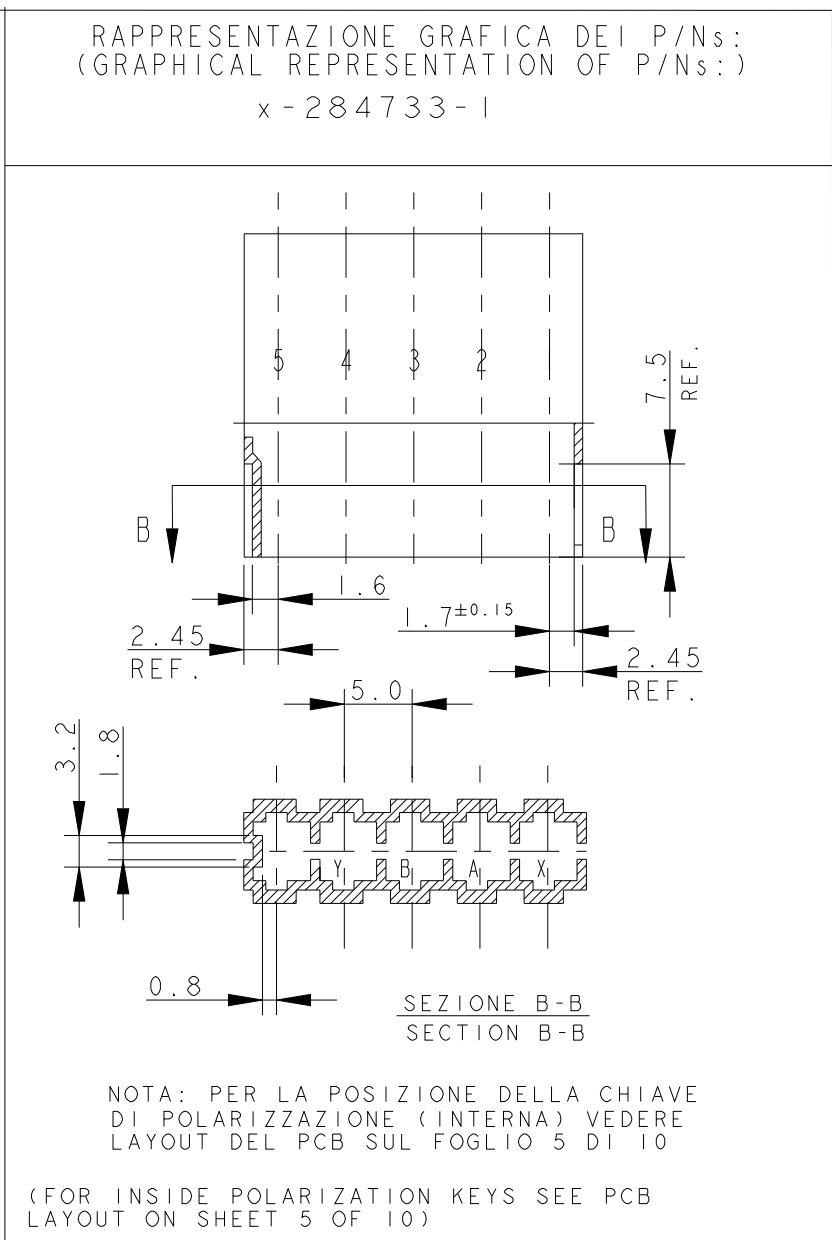
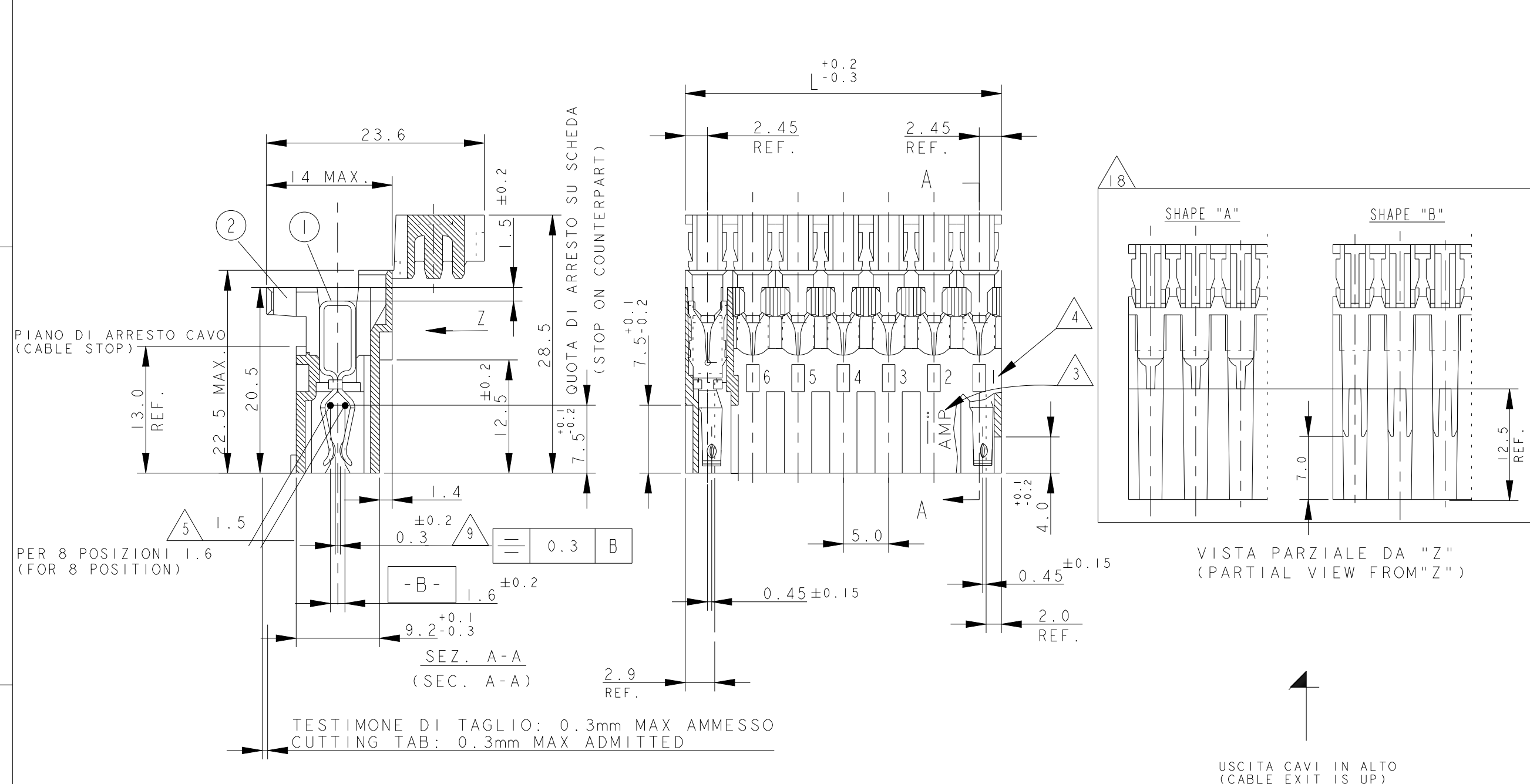
RAPPRESENTAZIONE GRAFICA DEI P/Ns:
 (GRAPHICAL REPRESENTATION OF P/Ns:)
 x-282235-2 and x-282235-3



THIS DRAWING IS A CONTROLLED DOCUMENT.		DWN C. CORDOLA 23 JUL 1996	 TE Connectivity	NAME MONO-SHAPE, MK1 PCB CONNECTOR 2-12 POS.	
DIMENSIONS: mm		CHK G. TURCO 23 JUL 1996		PRODUCT SPEC 108-20067	
TOLERANCES UNLESS OTHERWISE SPECIFIED:		APVD G. TURCO 23 JUL 1996		APPLICATION SPEC 114-20018	
0 PLC ± 0.3 1 PLC ± 0.3 2 PLC ± 0.3 3 PLC ± 0.3 4 PLC ± 0.3 ANGLES ± 2°		MATERIAL CONNETTORE NYLON (CONNECTOR NYLON) CONTATTO OTTONE (CONTACT BRASS)		FINISH STAGNATO (TIN PLATED)	WEIGHT -
CUSTOMER DRAWING		SCALE 2:1	SHEET 2 OF 11	REV. Z42	

THIS DRAWING IS UNPUBLISHED. RELEASED FOR PUBLICATION
 COPYRIGHT © copyright.dBTe- ALL RIGHTS RESERVED.

REVISIONS					
P	LTR	DESCRIPTION	DATE	DWN	APVD
-	-	SEE SHEET 1	-	-	-



7) SEE FURTHER SHEETS FOR PN TABLE

9) PER 6 - 8 POSIZIONI (FOR 6 - 8 POSITION)

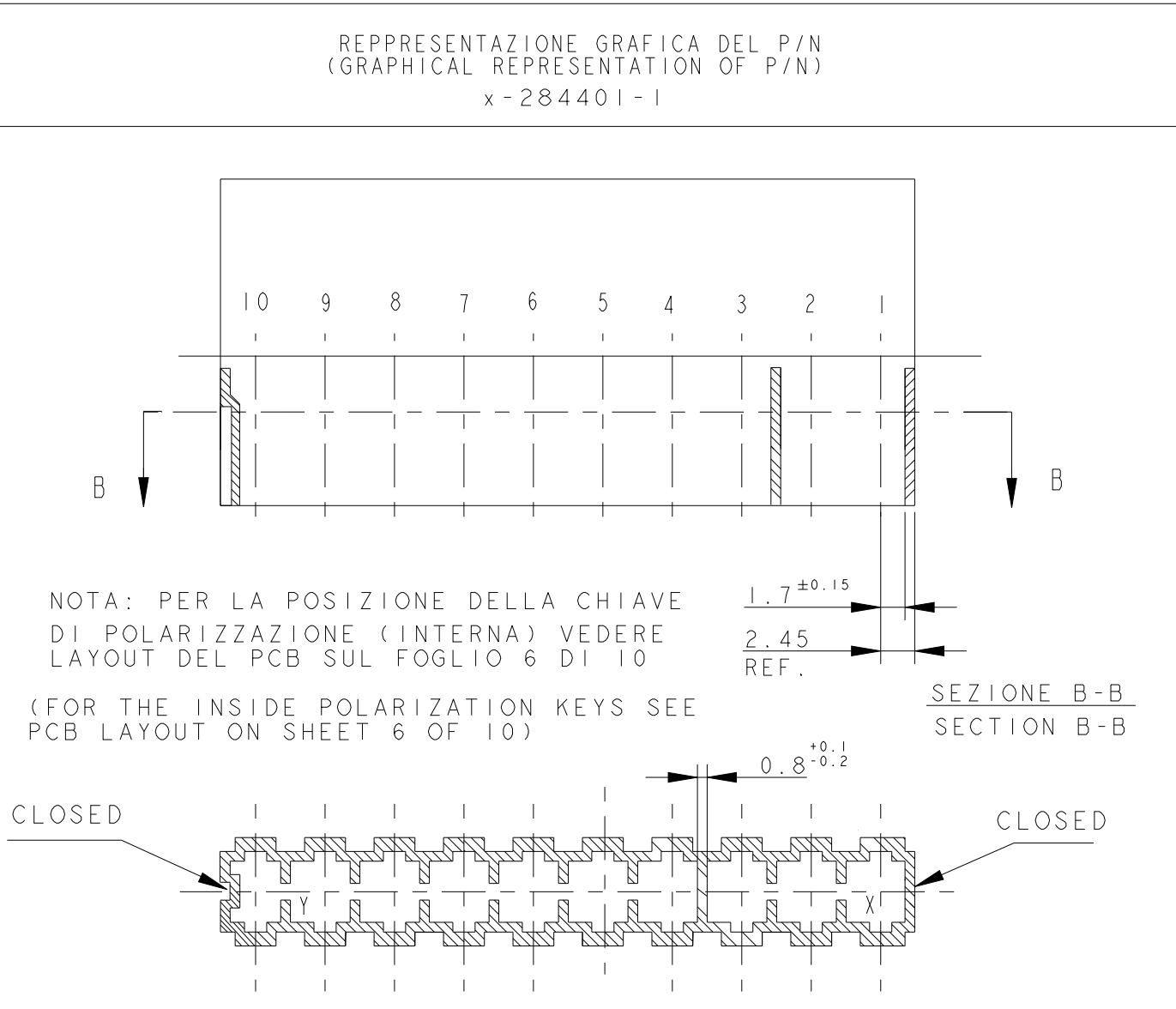
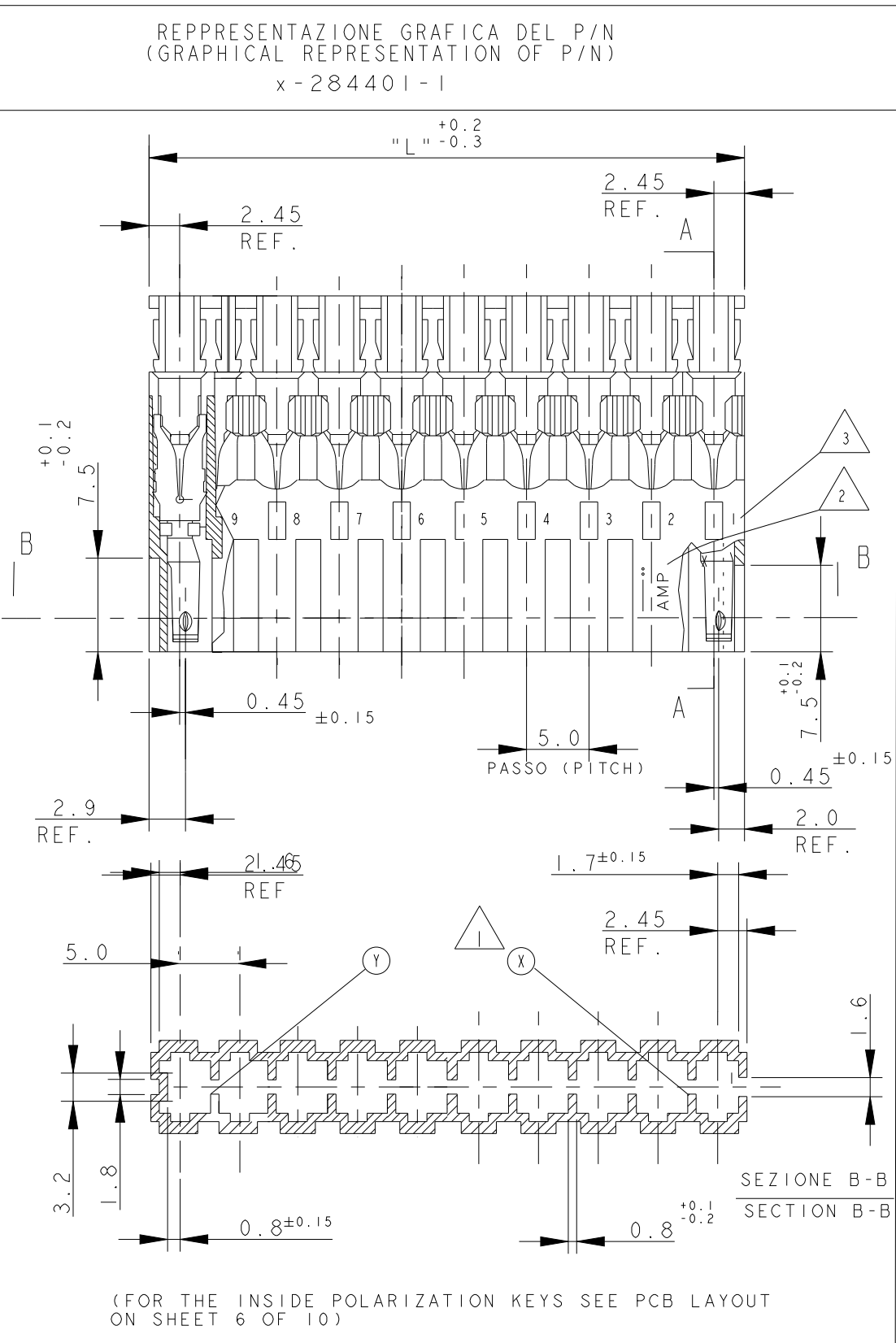
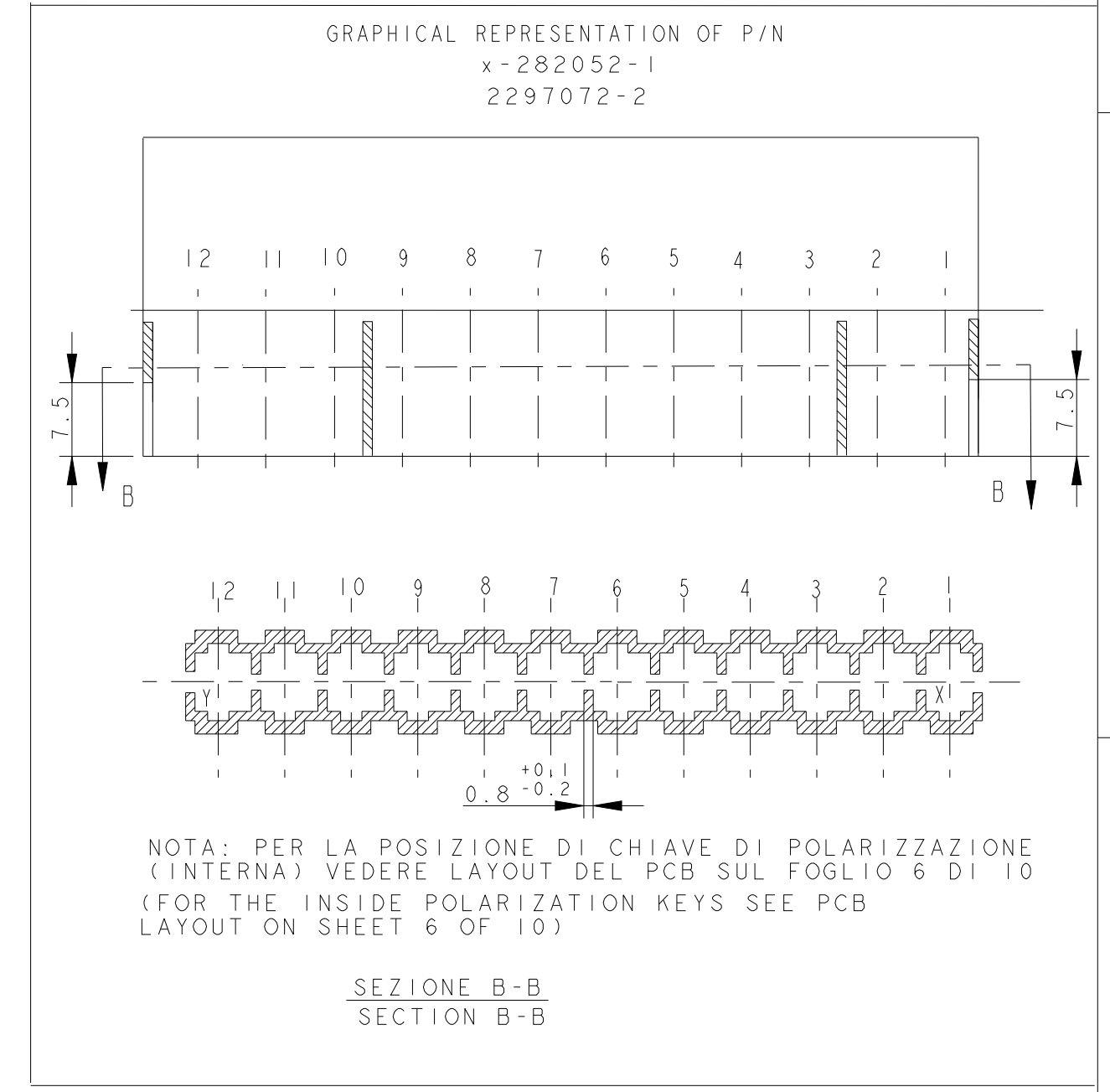
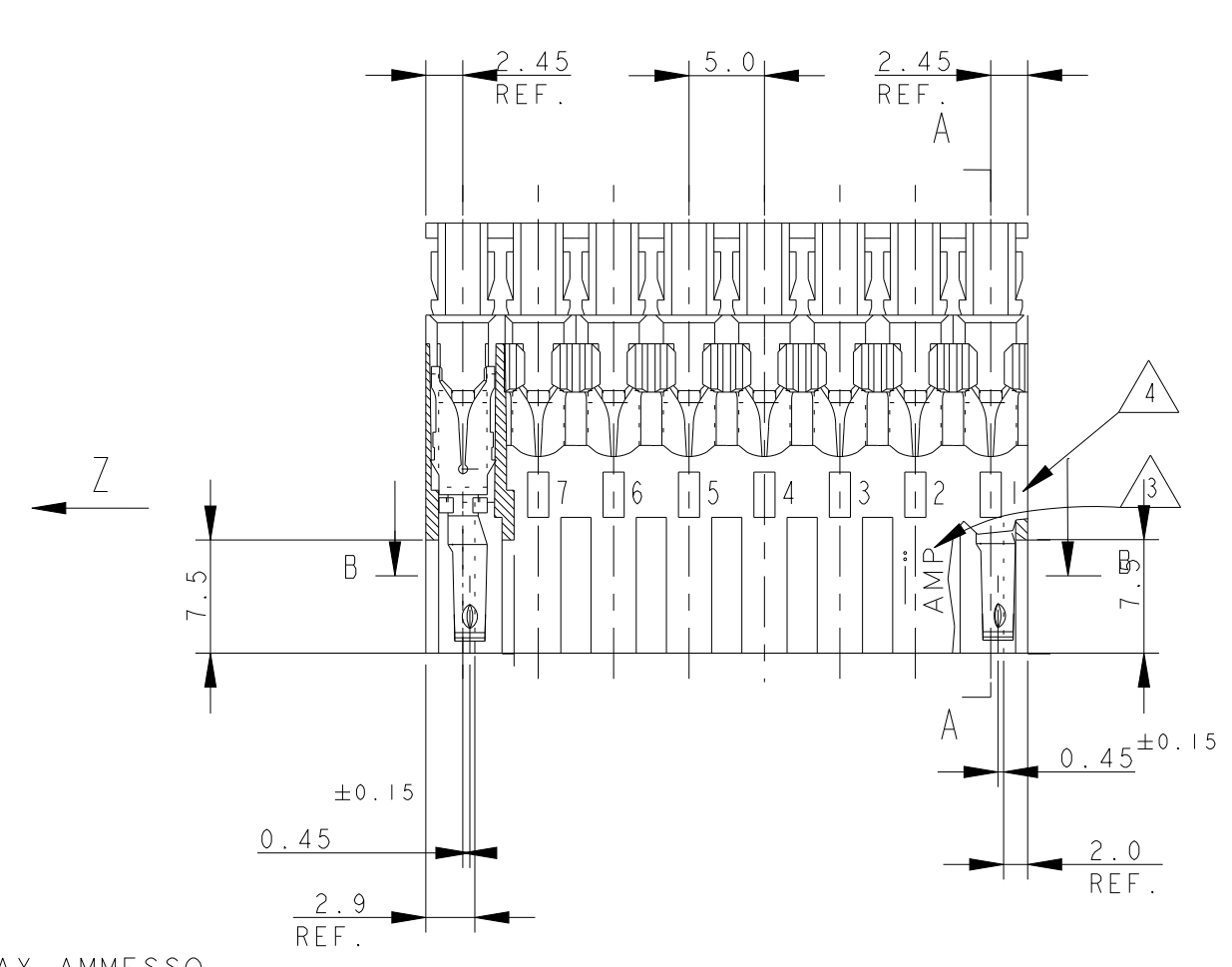
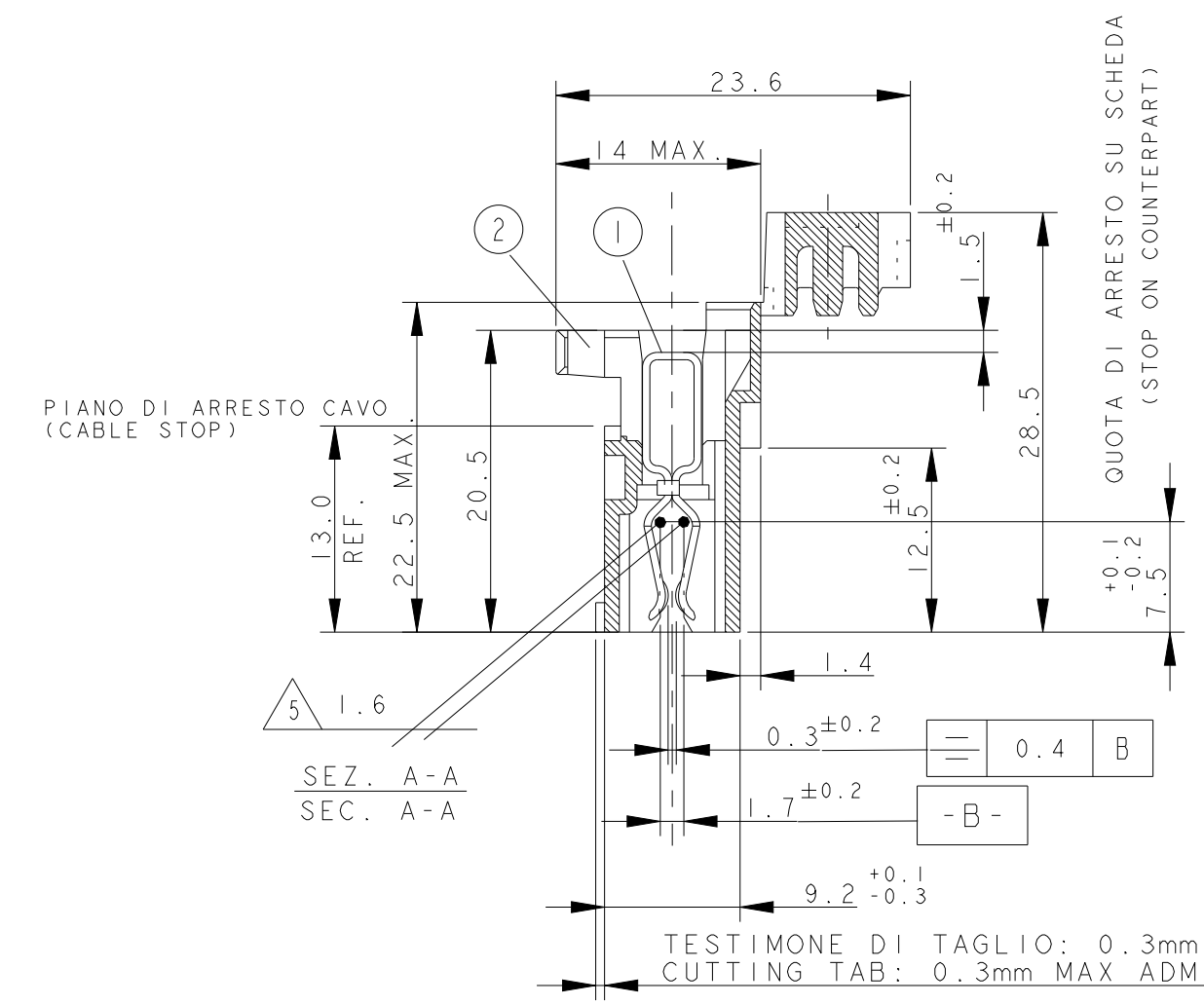
10) PER LE DIMENSIONI DELLE DIME DEL CIRCUITO STAMPATO VEDERE FOGLIO 5 E 6 (FOR PCB LAYOUT AND DIMENSIONS SEE SHEET 5 AND 6)

18) PROFILO "A" E' VALIDO PER OGNI CONFIGURAZIONE, PROFILO "B" E' AMMESSO SOLO PER I PN IDENTIFICATI IN TABELLA DALLA PRESENTE NOTA (SHAPE "A" VALID FOR EACH CONFIGURATION, SHAPE "B" IS PERMITTED ONLY ON PN WHERE THIS NOTE IS SHOWED ON RELEVANT DRAWING TABLE)

THIS DRAWING IS A CONTROLLED DOCUMENT.		DWN C. CORDOLA 23JUL1996	TE Connectivity	
DIMENSIONS: mm		CHK G. TURCO 23JUL1996		
TOLERANCES UNLESS OTHERWISE SPECIFIED:		APVD G. TURCO 23JUL1996	NAME MONO-SHAPE, MK1 PCB CONNECTOR 2-12 POS.	
0 PLC ±0.3 1 PLC ±0.3 2 PLC ±0.3 3 PLC ±0.3 4 PLC ±0.3		PRODUCT SPEC 108-20067	SIZE A2	
ANGLES ±2°		APPLICATION SPEC 114-20018	CAGE CODE 1	
MATERIAL CONNETTORE NYLON (CONNECTOR NYLON) CONTATTO OTTONE (CONTACT BRASS)		FINISH STAGNATO (TIN PLATED)	DRAWING NO C-282042	
CUSTOMER DRAWING		WEIGHT -	RESTRICTED TO	
SCALE		SHEET 3 OF 11		REV. 242

THIS DRAWING IS UNPUBLISHED. RELEASED FOR PUBLICATION
 © COPYRIGHT copyright.d8Te- ALL RIGHTS RESERVED.

REVISIONS				
P	LTR	DESCRIPTION	DATE	DWN APVD
-	-	SEE SHEET 1	-	-



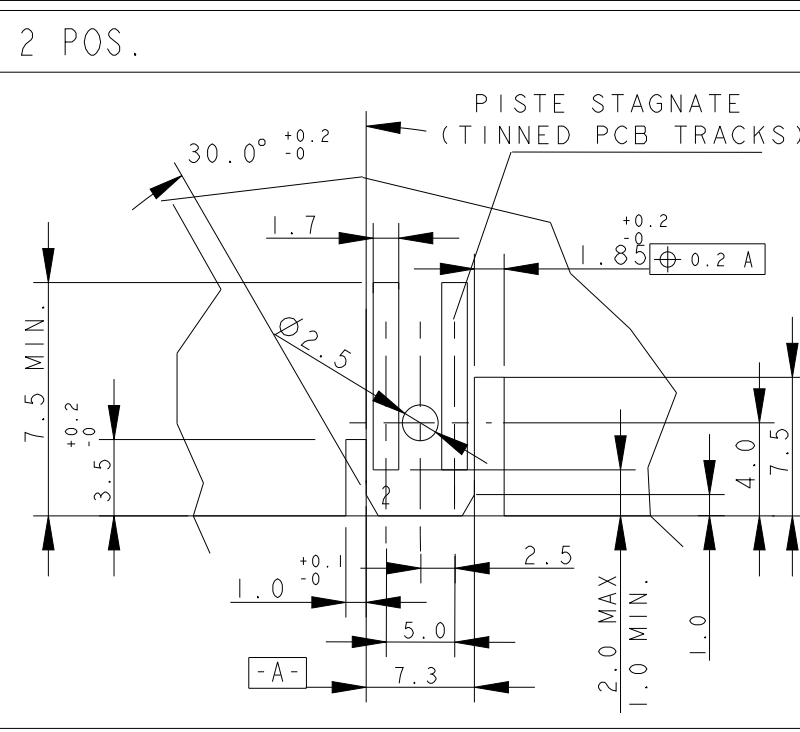
7) SEE FURTHER SHEETS FOR PN TABLES

10) PER LE DIMENSIONI DELLE DIME DEL CIRCUITO STAMPATO VEDERE FOGLIO 5 E 6
(FOR PCB LAYOUT AND DIMENSIONS SEE SHEET 5 AND 6)

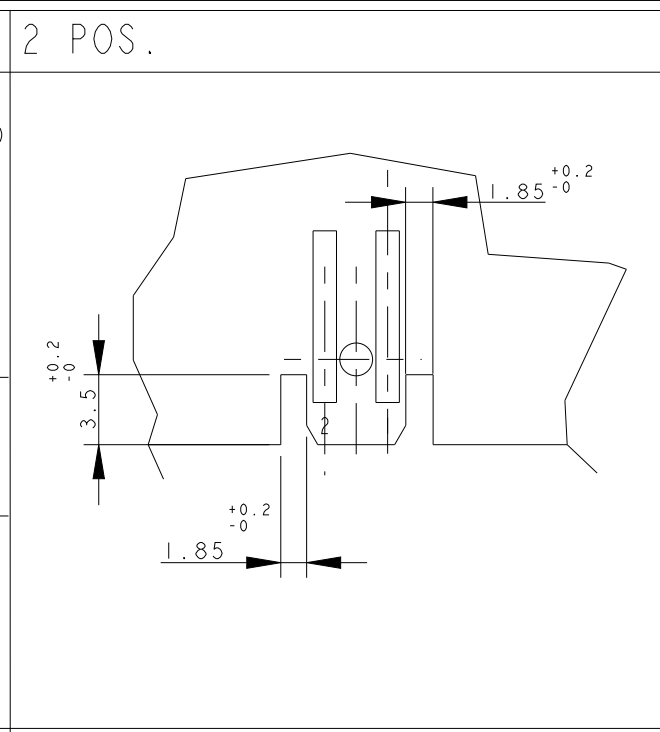
THIS DRAWING IS A CONTROLLED DOCUMENT.		DWN C. CORDOLA 23JUL1996	 TE Connectivity	NAME MONO-SHAPE, MK1 PCB CONNECTOR 2-12 POS.	
DIMENSIONS: mm		CHK G. TURCO 23JUL1996		APVD G. TURCO 23JUL1996	SIZE A2
TOLERANCES UNLESS OTHERWISE SPECIFIED:		0 PLC ±0.3	PRODUCT SPEC 108-20067	DRAWING NO C-282042	RESTRICTED TO
MATERIAL CONNETTORE NYLON (CONNECTOR NYLON) CONTATTO OTTONE (CONTACT BRASS)		1 PLC ±0.3	APPLICATION SPEC 114-20018	WEIGHT -	SCALE -
FINISH STAGNATO (TIN PLATED)		2 PLC ±0.3	ANGLE ±2°	SHEET 4 OF 11	REV Z42
CUSTOMER DRAWING		3 PLC ±0.3			
		4 PLC ±0.3			

THIS DRAWING IS UNPUBLISHED. RELEASED FOR PUBLICATION
 © COPYRIGHT copyright.d8te- ALL RIGHTS RESERVED.

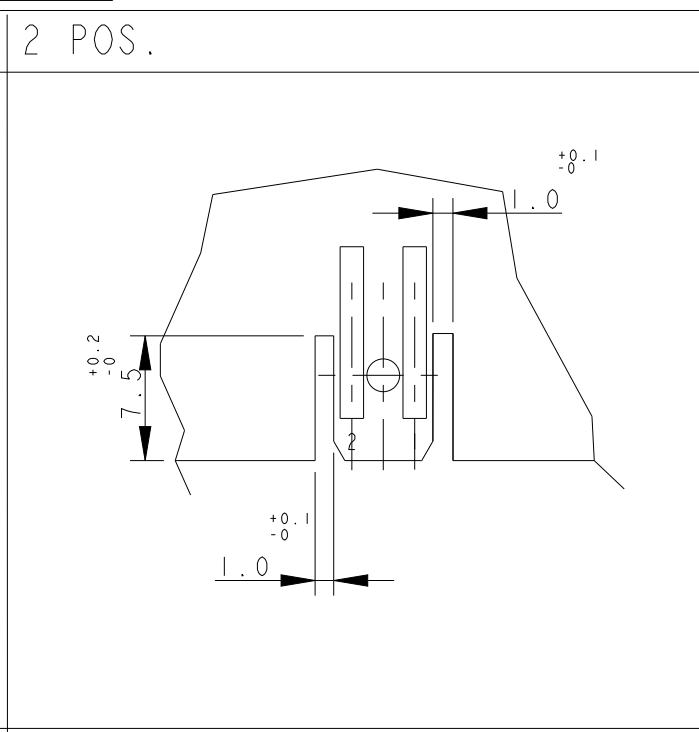
REVISIONS			
P	LTR	DESCRIPTION	DATE
		SEE SHEET 1	



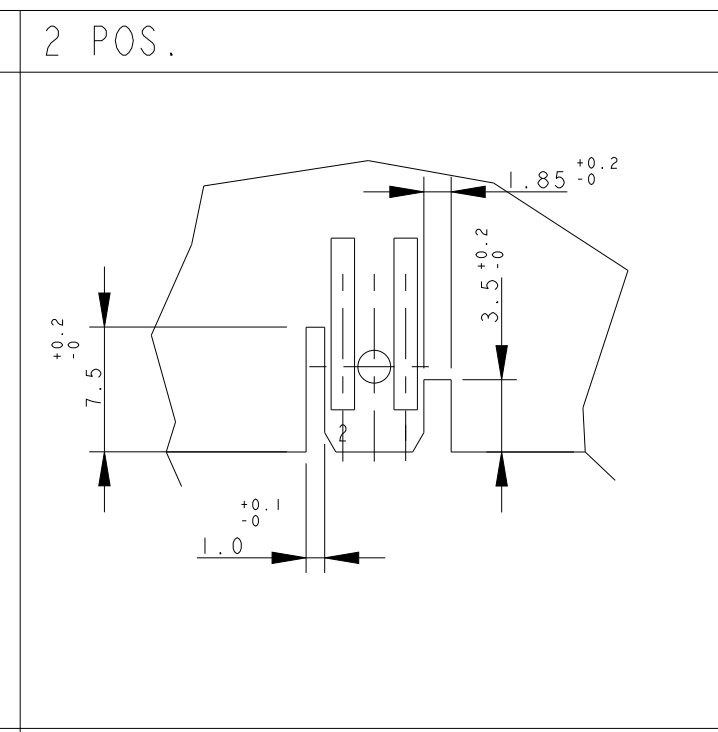
DIMA DEL PCB PER PN (PCB LAYOUT FOR PN.S)
x-282042-1



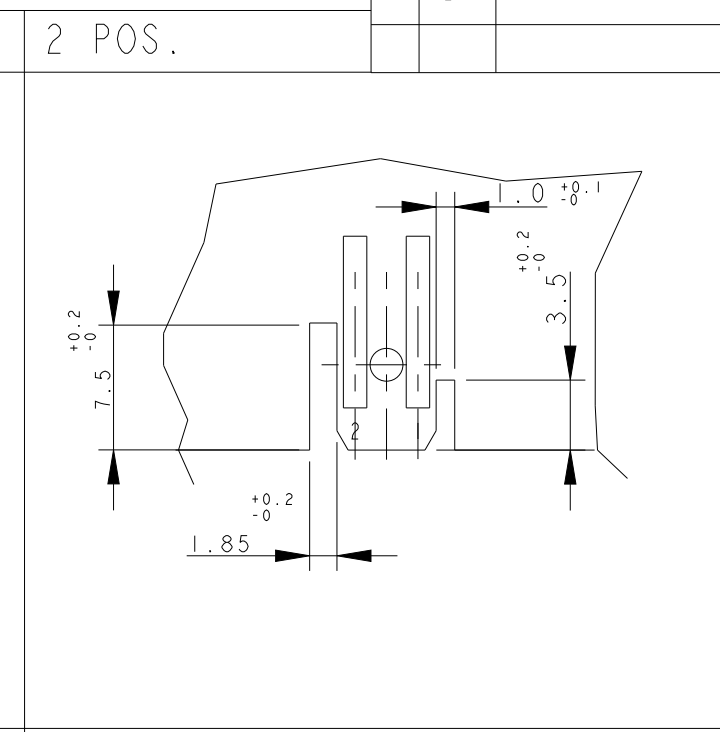
DIMA DEL PCB PER PN (PCB LAYOUT FOR PN.S)
x-282042-2



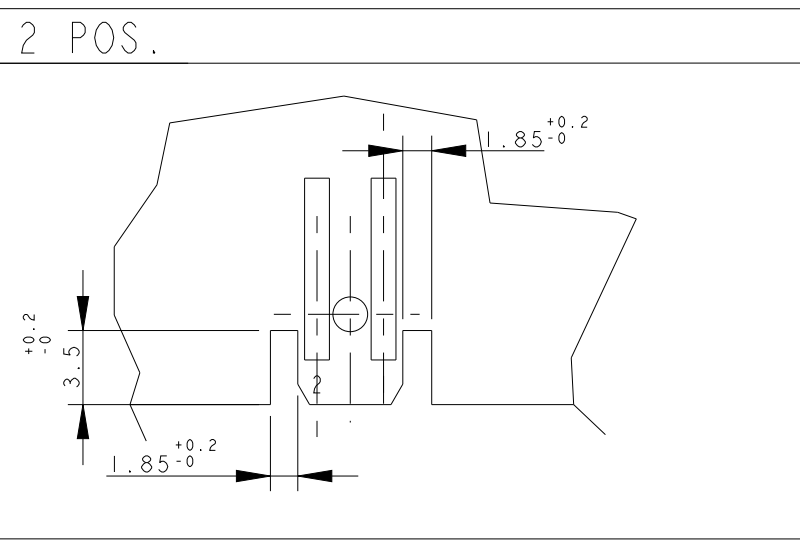
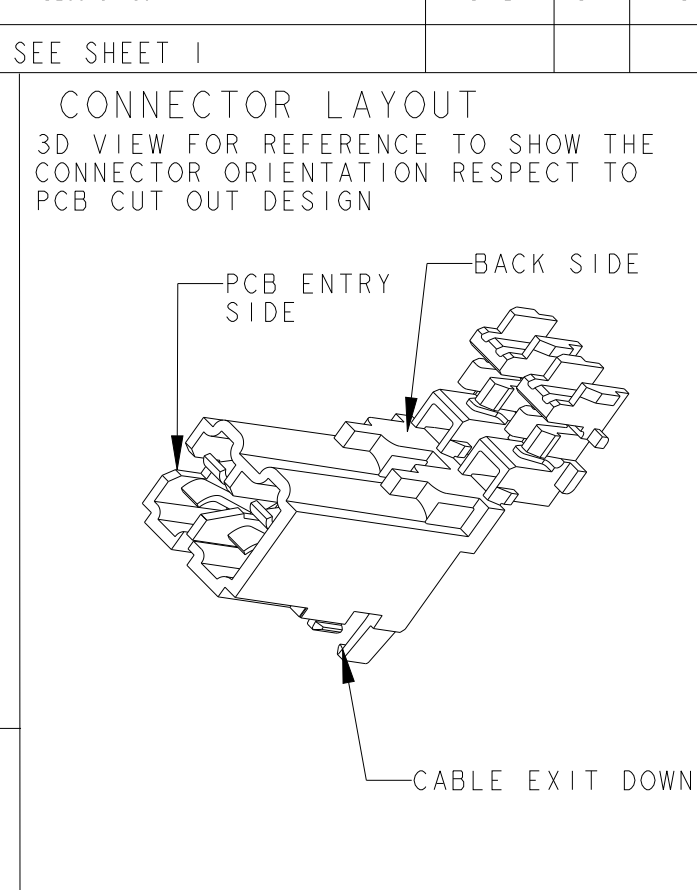
DIMA DEL PCB PER PN (PCB LAYOUT FOR PN.S)
x-282042-3, 2298752-2 and 2333039-2



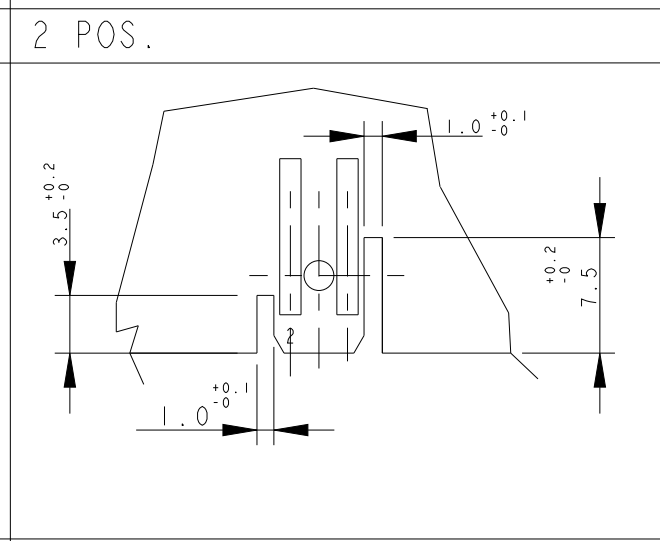
DIMA DEL PCB PER PN (PCB LAYOUT FOR PN.S)
x-282042-4



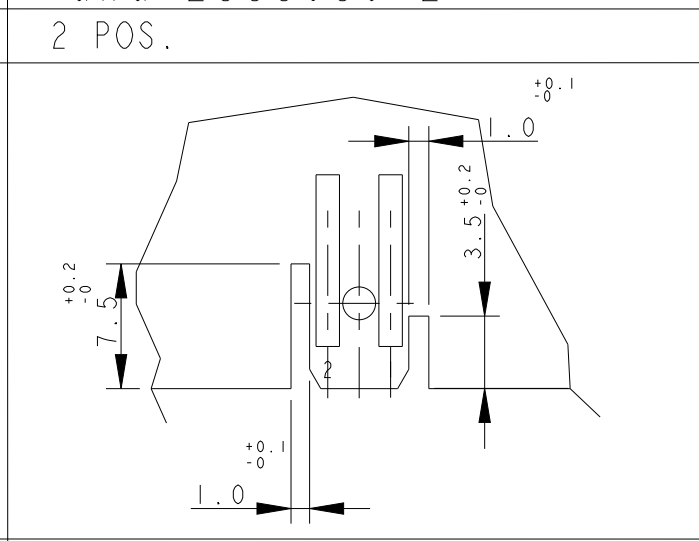
DIMA DEL PCB PER PN (PCB LAYOUT FOR PN.S)
x-282042-5, 1-2298752-2 and 1-2333039-2, 2-2293372-2



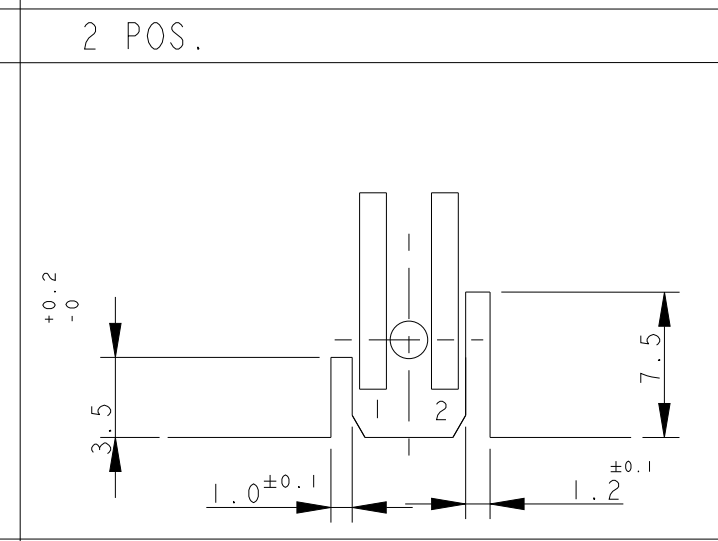
DIMA DEL PCB PER PN (PCB LAYOUT FOR PN.S)
x-284561-1



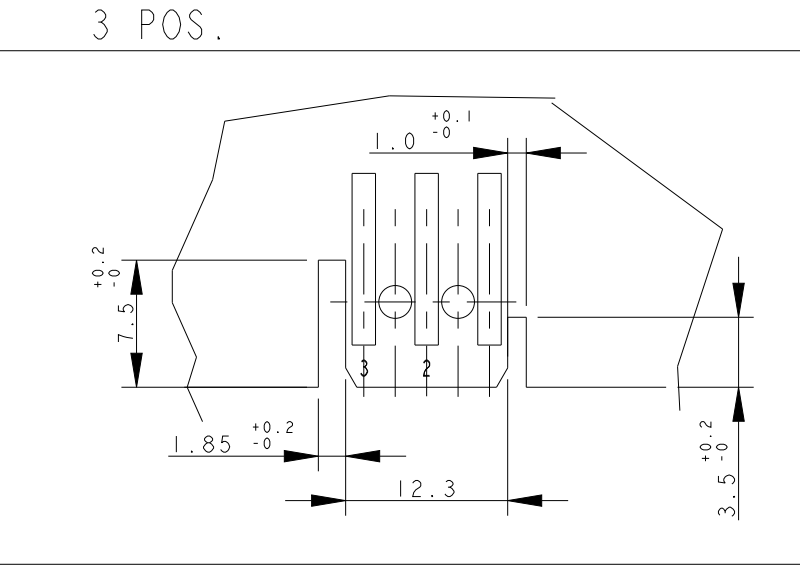
DIMA DEL PCB PER PN (PCB LAYOUT FOR PN.S)
x-282042-6



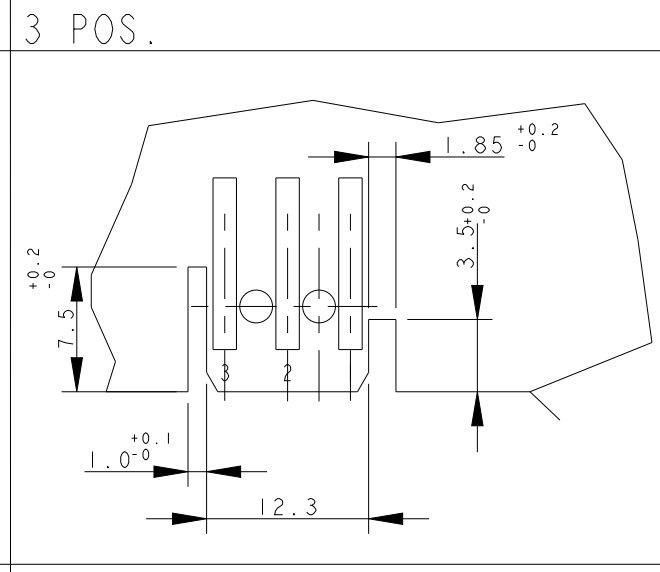
DIMA DEL PCB PER PN (PCB LAYOUT FOR PN.S)
1-2293372-2



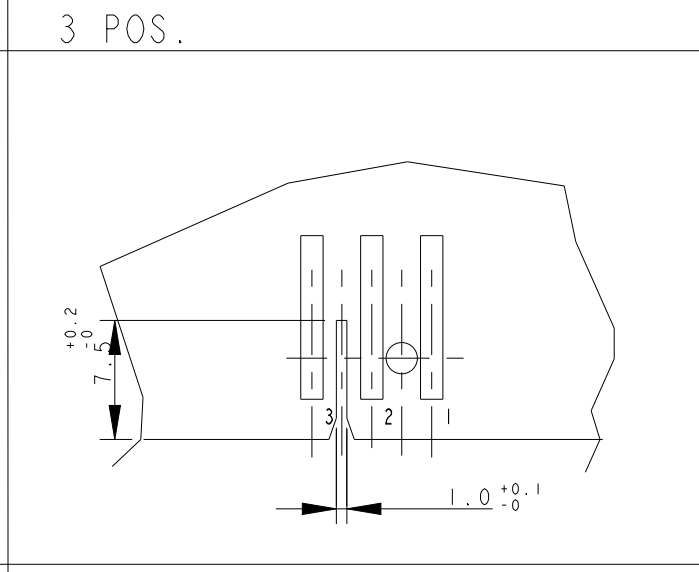
DIMA DEL PCB PER PN (PCB LAYOUT FOR PN.S)
x-284561-2



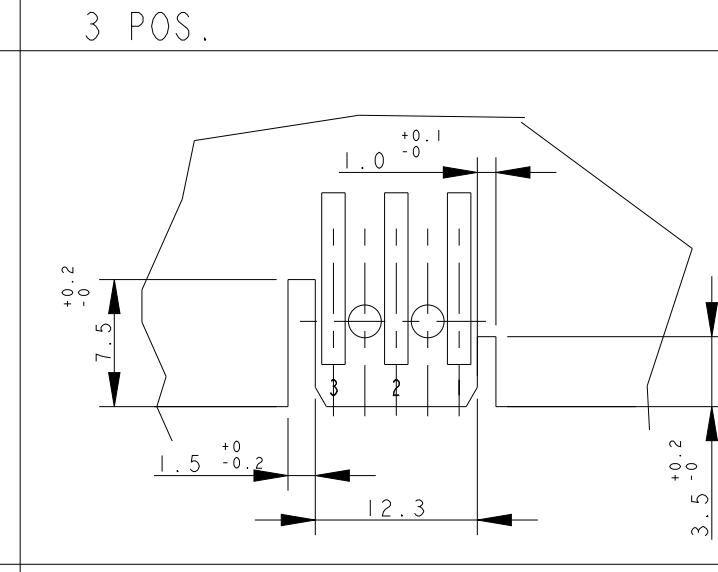
DIMA DEL PCB PER PN (PCB LAYOUT FOR PN.S)
x-282043-2, x-282043-3, 2298752-3 and 2333039-3, 2293372-3



DIMA DEL PCB PER PN (PCB LAYOUT FOR PN.S)
x-282235-2 and x-282235-3

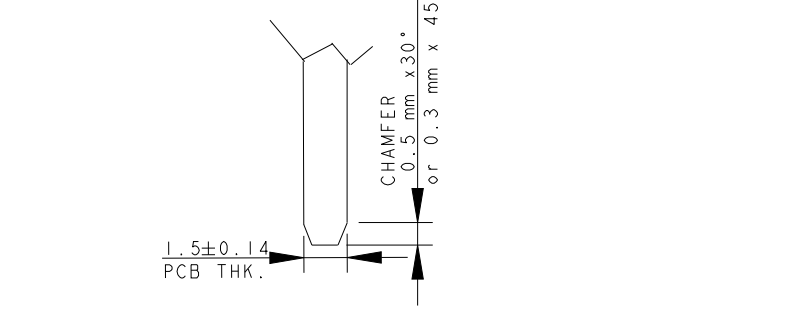


DIMA DEL PCB PER PN (PCB LAYOUT FOR PN.S)
x-284546-1



DIMA DEL PCB PER PN (PCB LAYOUT FOR PN.S)
284546-2

- SUGGESTED SHAPE FOR PCB MATING SIDE, CAN BE ALSO OBTAINED BY SCORING PROCESS-



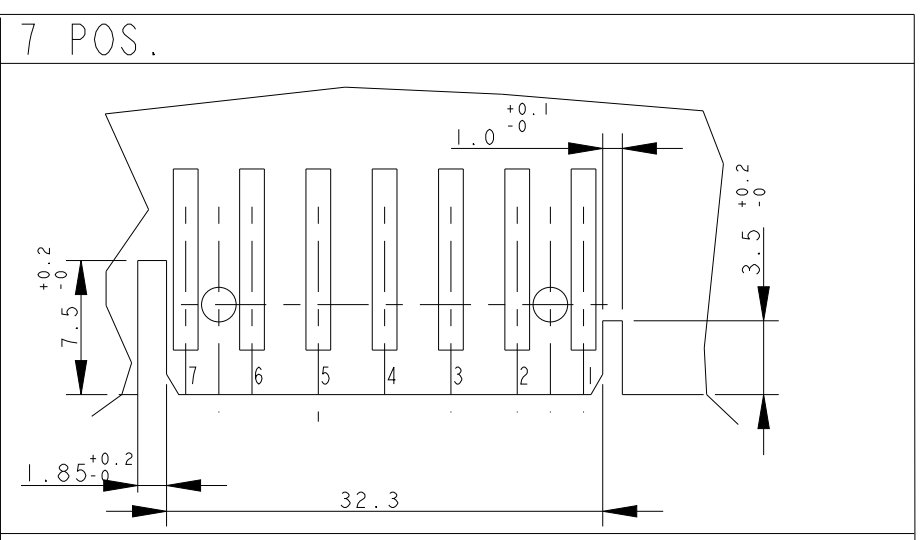
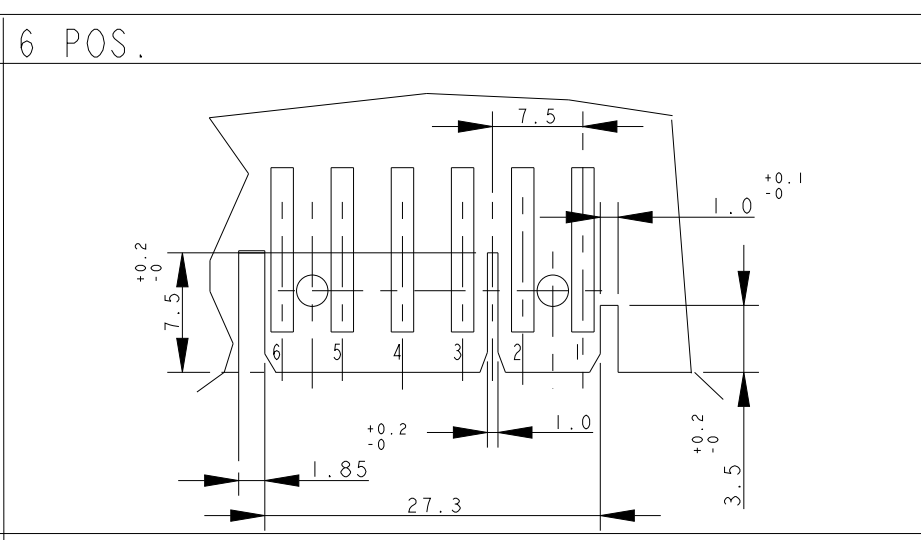
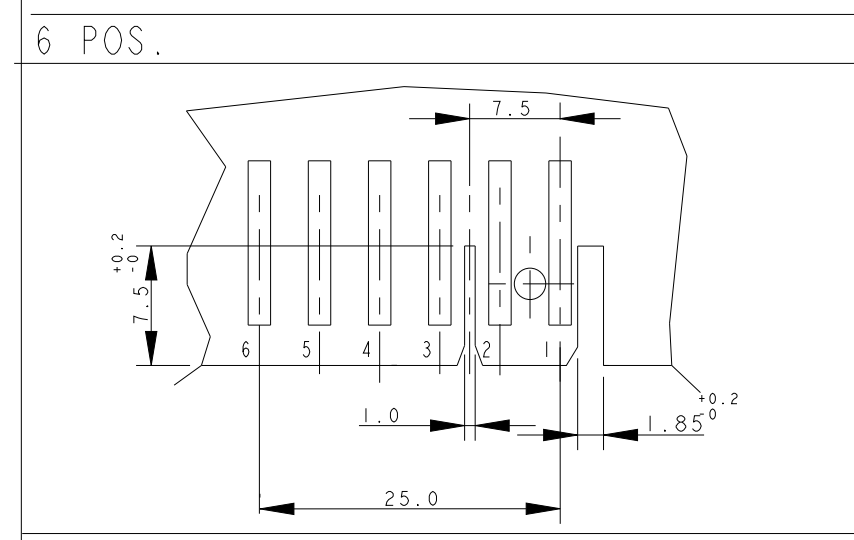
1471-9 (3/13)

- LE DIMENSIONI TIPICHE RIFERITE ALLE GEOMETRIE COMUNI A TUTTE LE DIME SONO INDICATE SOLO NEL DETTAGLIO RELATIVO AL PN 1-282042. (PCB GEOMETRY TYPICAL DIMENSIONS ARE SHOWN ON SKETCH FOR PN 1-282042-1)
- LE DIME DEI PCB ACCOPPIANO CON I CONNETTORI INSERITI CO USCITA CAVI VERSO IL BASSO (PCB LAYOUT AS SHOWN WILL MATE WITC CONNECTORS HAVING CABLE EXIT DOWN)

THIS DRAWING IS A CONTROLLED DOCUMENT.		DWN C. CORDOLA 23 JUL 1996	TE Connectivity
DIMENSIONS: mm		CHK G. TURCO 23 JUL 1996	
TOLERANCES UNLESS OTHERWISE SPECIFIED:		APVD G. TURCO 23 JUL 1996	NAME MONO-SHAPE, MK1 PCB CONNECTOR 2-12 POS.
0 PLC ±0.3 1 PLC ±0.3 2 PLC ±0.3 3 PLC ±0.3 4 PLC ±0.3		PRODUCT SPEC 108-20067	SIZE A2
ANGLES ±2°		APPLICATION SPEC 114-20018	CAGE CODE 1
MATERIAL CONNETTORE NYLON (CONNECTOR NYLON) CONTATTO OTTONE (CONTACT BRASS)		FINISH STAGNATO (TIN PLATED)	DRAWING NO C-282042
		WEIGHT -	RESTRICTED TO
CUSTOMER DRAWING		SCALE 2:1	SHEET 5 OF 11
			REV Z42

THIS DRAWING IS UNPUBLISHED. RELEASED FOR PUBLICATION
 © COPYRIGHT copyright.d8Te- ALL RIGHTS RESERVED.

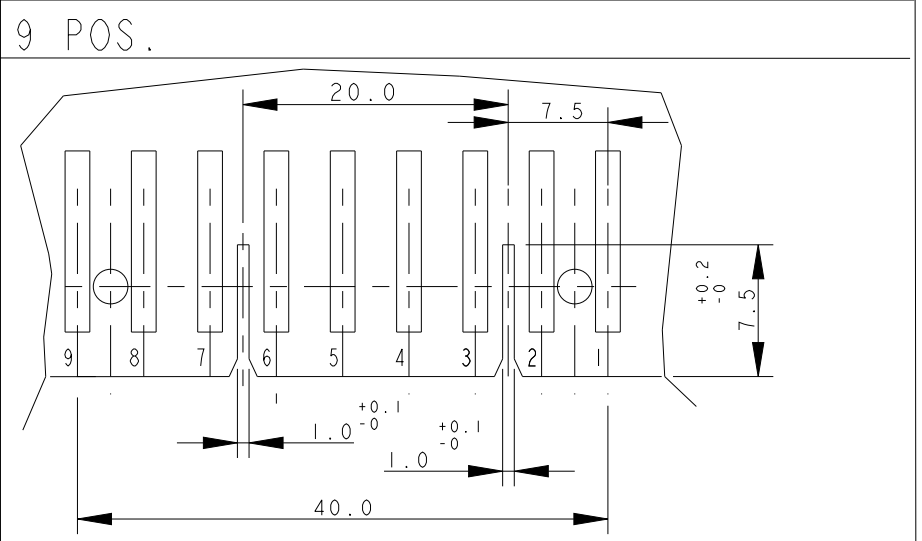
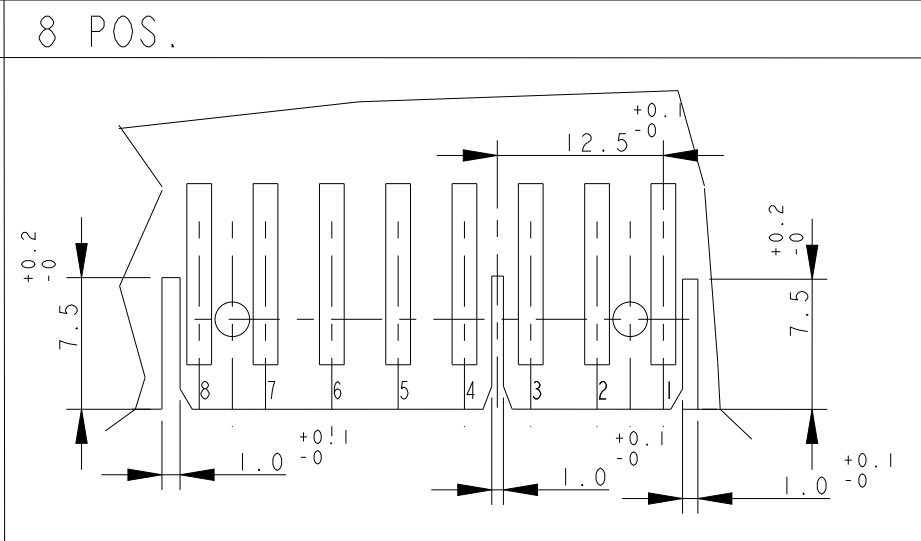
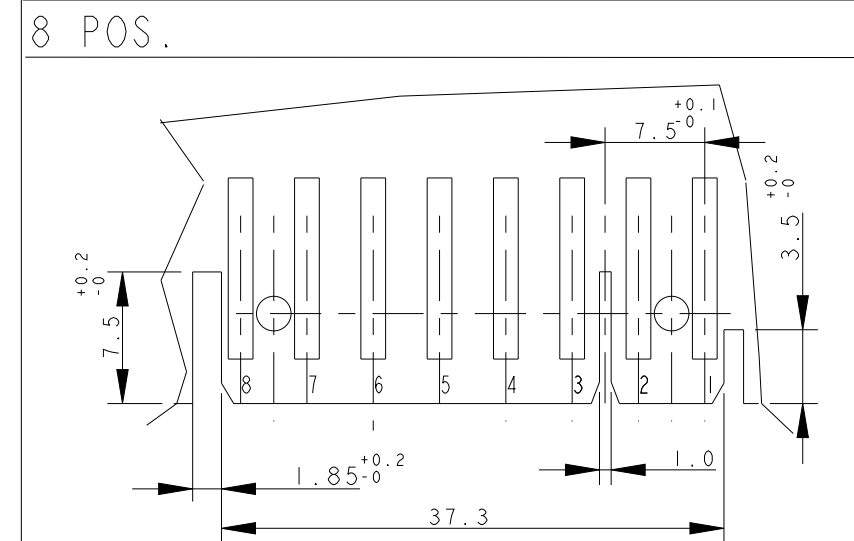
REVISIONS				
P	LTR	DESCRIPTION	DATE	APVD
-		SEE SHEET 1	-	-



DIMA DEL PCB PER PN
(PCB LAYOUT FOR PN.S)
x-284734-1

DIMA DEL PCB PER PN
(PCB LAYOUT FOR PN.S)
x-282046-1, 2298752-6 and 2333039-6
(EXCEPT 4-282046-1, 5-282046-1)

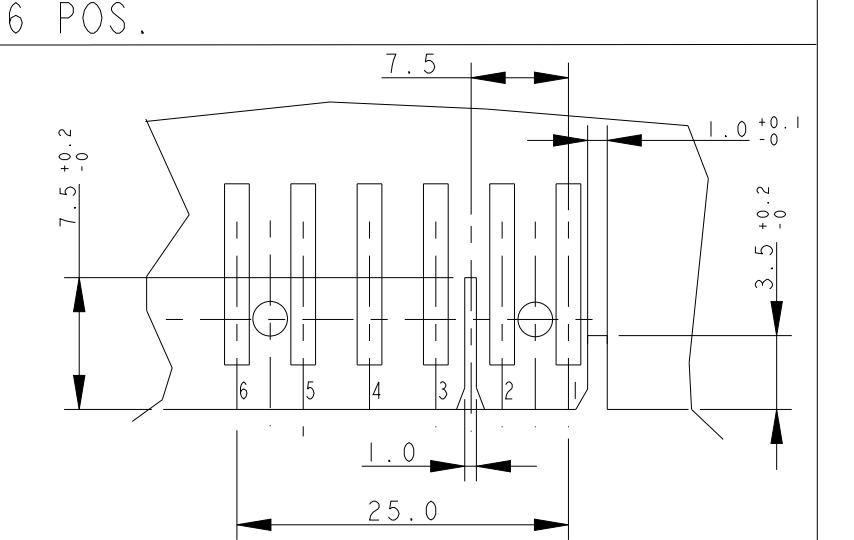
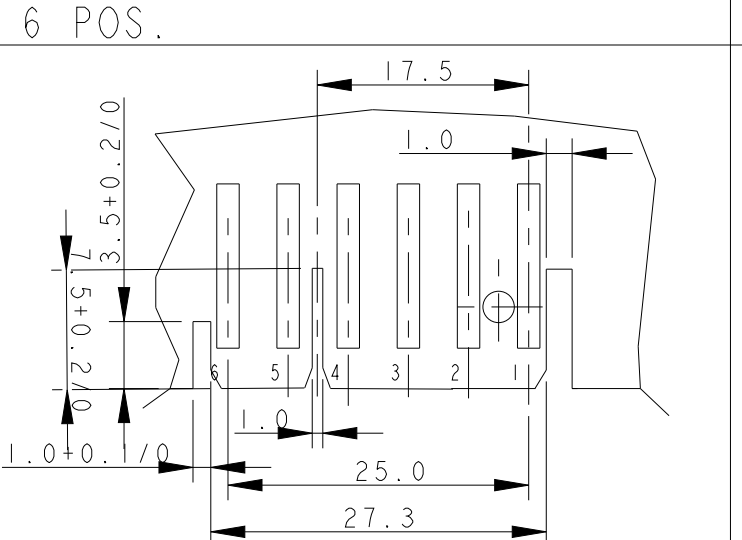
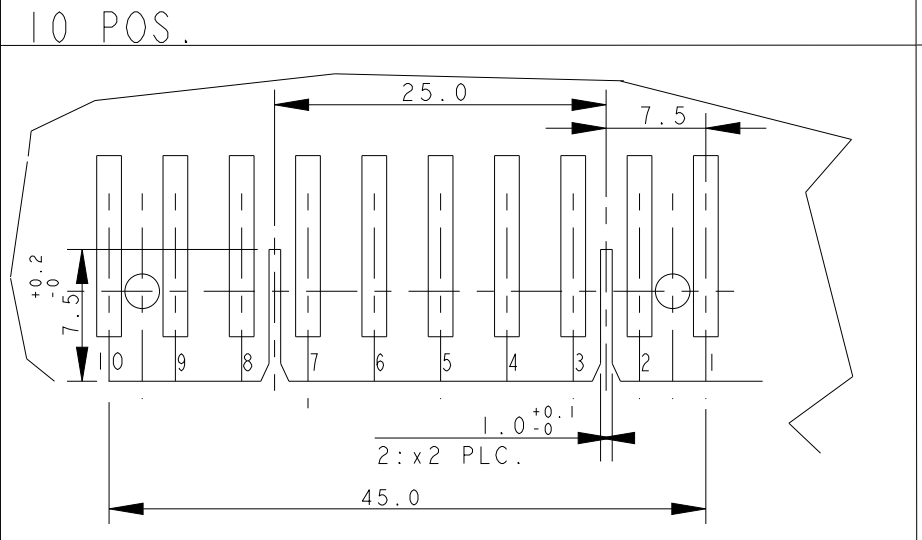
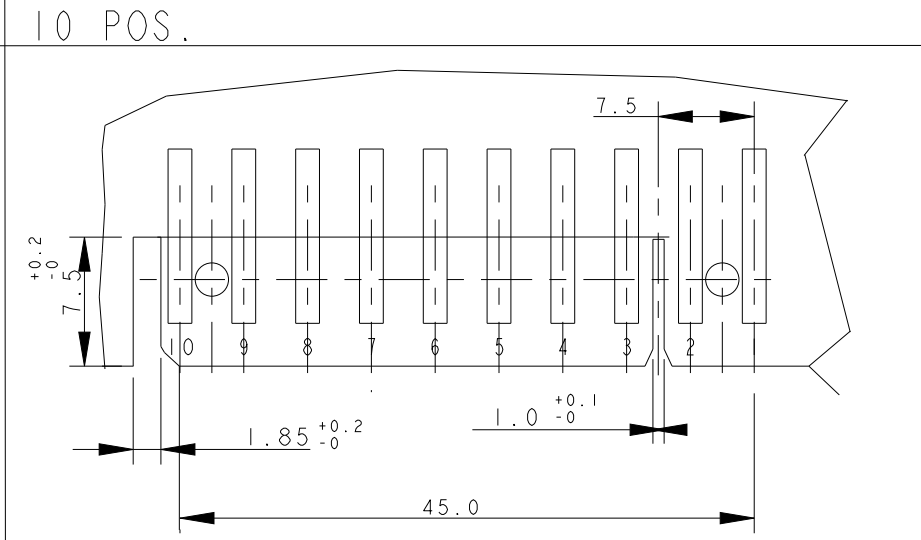
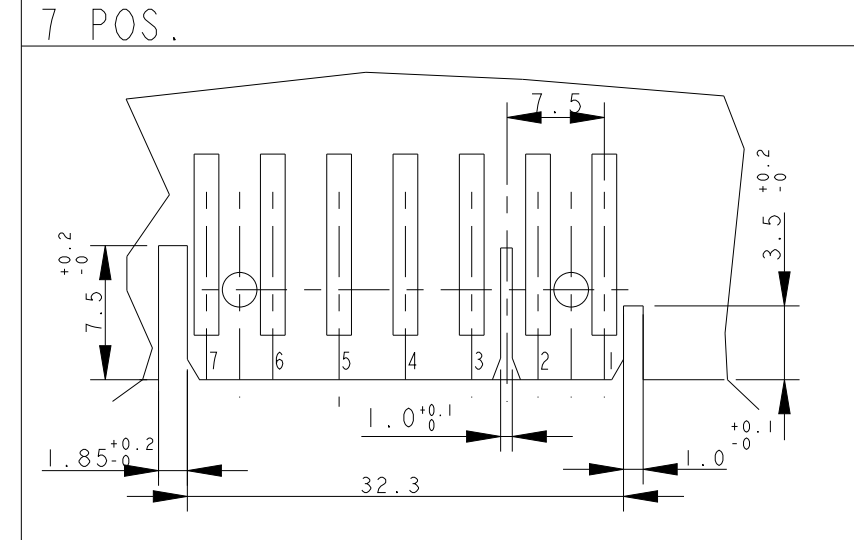
DIMA DEL PCB PER PN
(PCB LAYOUT FOR PN.S)
x-282047-1, 2293372-7, 2298752-7
and 2333039-7



PCB LAYOUT FOR PN.S
x-284208-1, 2293372-8,
2298752-8 and 2333039-8

DIMA DEL PCB PER PN
(PCB LAYOUT FOR PN.S)
x-284574-1

DIMA DEL PCB PER PN
(PCB LAYOUT FOR PN.S)
x-282049-1, 2293372-9 and 2298752-9



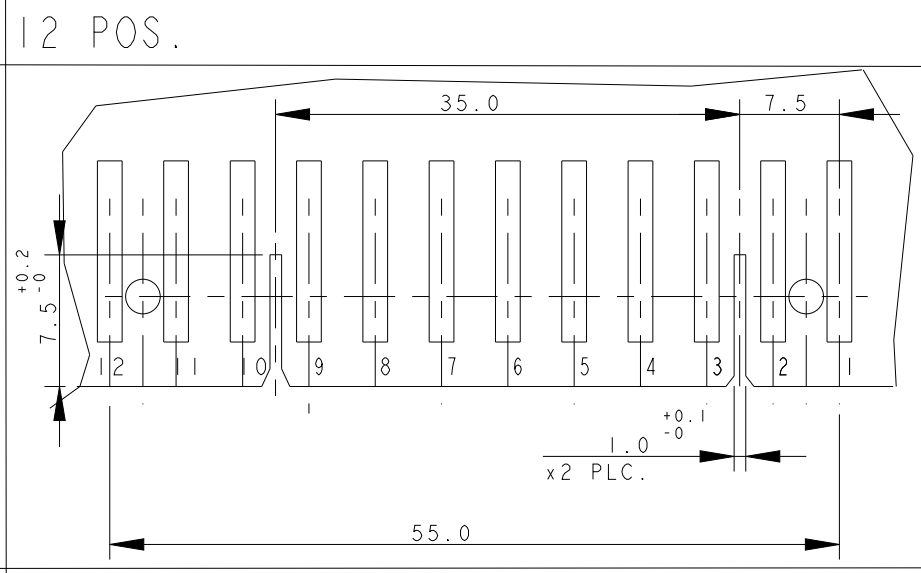
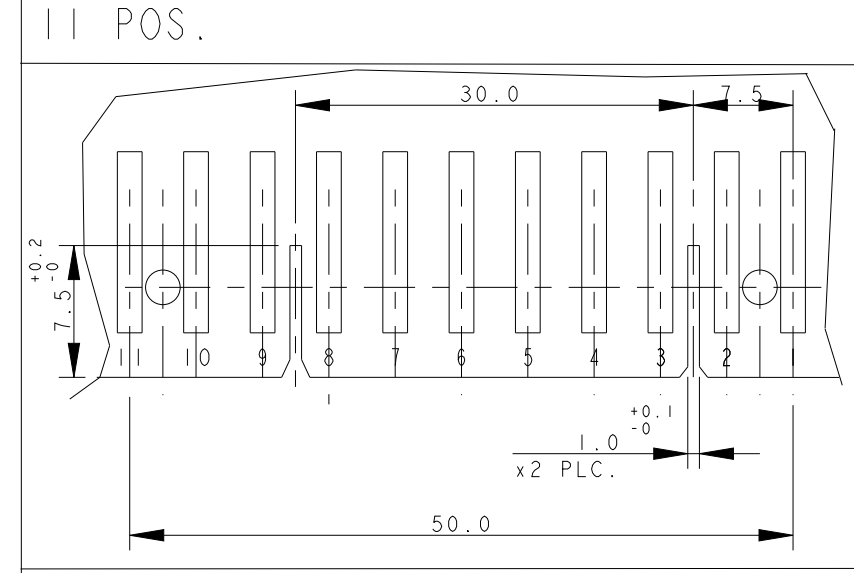
DIMA DEL PCB PER PN
(PCB LAYOUT FOR PN.S)
2-282047-3 AND 1-2293372-7

DIMA DEL PCB PER PN
(PCB LAYOUT FOR PN.S)
x-284401-x

DIMA DEL PCB PER PN
(PCB LAYOUT FOR PN.S)
x-282050-x and 1-2298752-0

DIMA DEL PCB PER PN
(PCB LAYOUT FOR PN.S)
4-282046-1 AND 5-282046-1

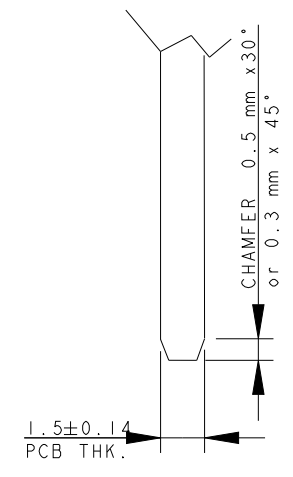
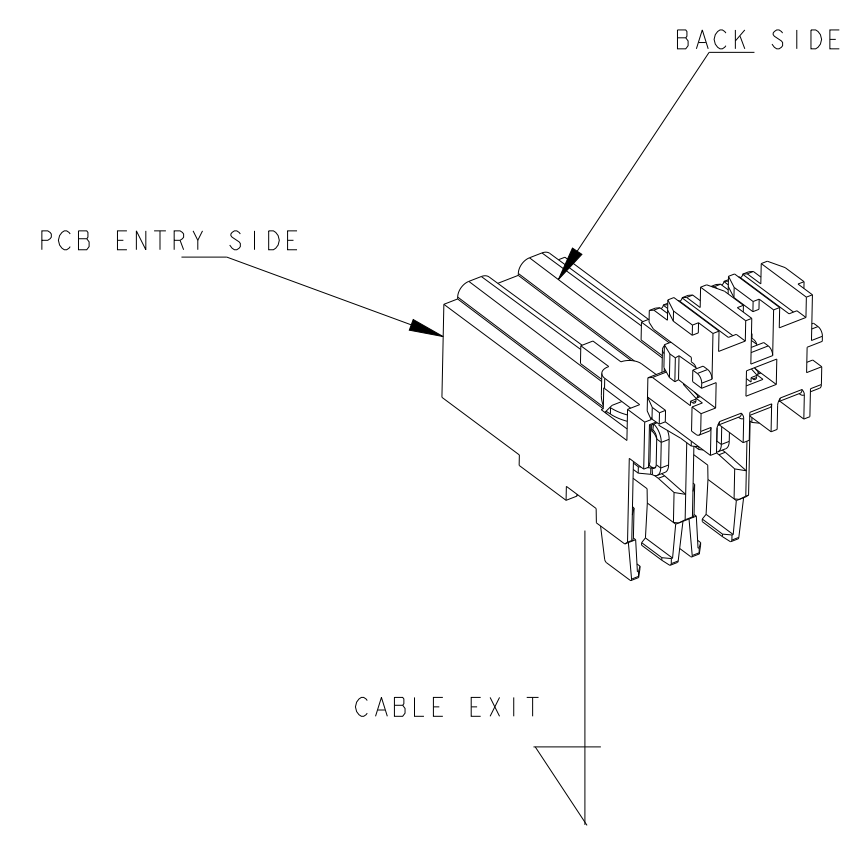
DIMA DEL PCB PER PN
(PCB LAYOUT FOR PN.S)
2-282046-2



DIMA DEL PCB PER PN
(PCB LAYOUT FOR PN.S)
x-282051-x and 2298552-1

PCB LAYOUT FOR PN.S
x-282052-x, 2297072-2 and 2298552-2

CONNECTOR LAYOUT
(3D VIEW FOR REFERENCE TO SHOW THE CONNECTOR
ORIENTATION RESPECT TO PCB CUT OUT DESIGN)



- SUGGESTED SHAPE FOR PCB MATING
SIDE, CAN BE ALSO OBTAINED
BY SCORING PROCESS-

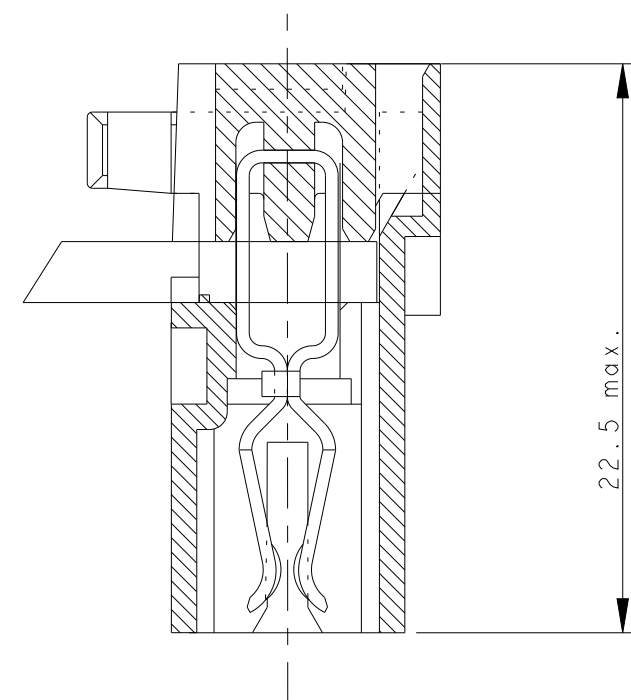
THIS DRAWING IS A CONTROLLED DOCUMENT.		DWN C. CORDOLA 23 JUL 1996	TE Connectivity	
DIMENSIONS: mm		CHK G. TURCO 23 JUL 1996		
TOLERANCES UNLESS OTHERWISE SPECIFIED:		APVD G. TURCO 23 JUL 1996	NAME MONO-SHAPE, MK I PCB CONNECTOR 2-12 POS.	
0 PLC ±		PRODUCT SPEC 108-20067	SIZE A2	
1 PLC ±		APPLICATION SPEC 114-20018	CAGE CODE 1	
2 PLC ±		WEIGHT -	DRAWING NO C-282042	
3 PLC ±		CUSTOMER DRAWING	RESTRICTED TO	
4 PLC ±		SCALE 2:1	SHEET 7 OF 11	
ANGLES ±2°		FINISH STAGNATO (TIN PLATED)	REV Z42	
MATERIAL CONNECTORE NYLON (CONNECTOR NYLON) CONTATTO OTTONE (CONTACT BRASS)				

THIS DRAWING IS UNPUBLISHED. RELEASED FOR PUBLICATION PART NUMBER ASSY CONN.
 © COPYRIGHT copyright dbTe- ALL RIGHTS RESERVED.

REVISIONS				
P	LTR	DESCRIPTION	DATE	DWN APVD
SEE SHEET 1				

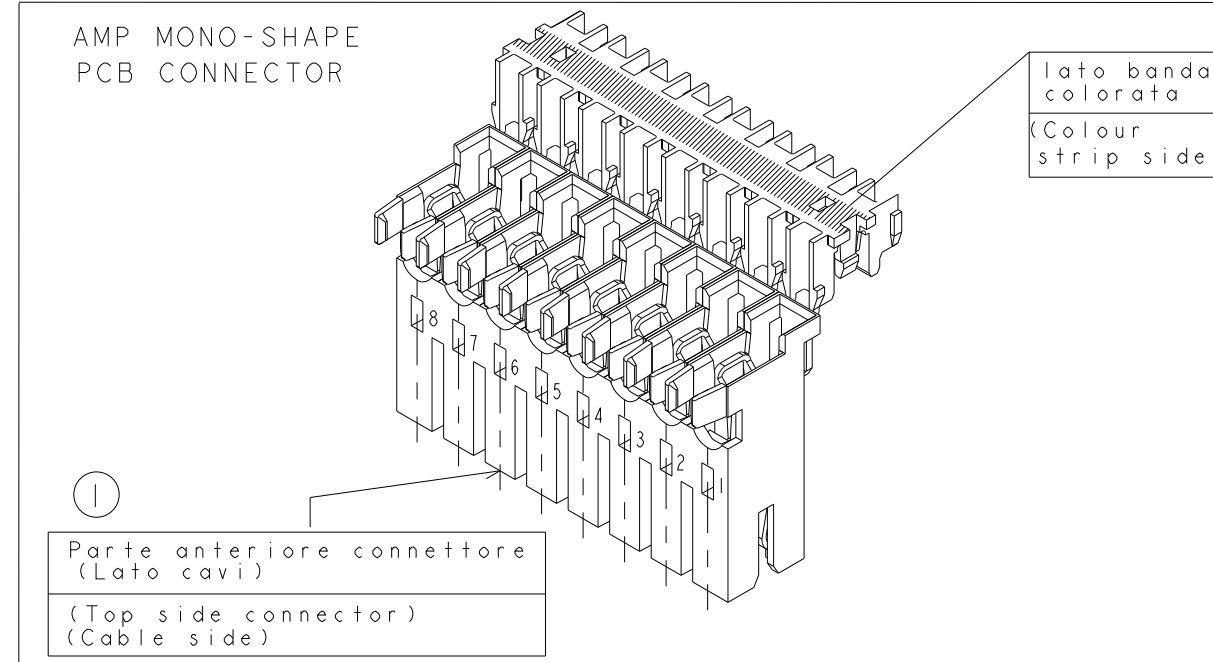
NUMERO DI VIE	CONFIGURAZIONE (VISTA CON USCITA CAVI IN ALTO)	VERSIONE PEZZI IN VASSOIO	REV	VERSIONE PEZZI SCIOLTI	REV	POSIZIONE POLARIZ. (INTERVIA)	L (mm)	MARCHIATURA CON BANDA COLORATA
NO. OF POS.	CONFIGURATION (VIEW WITH CABLE EXIT UP)	ON TRAY VERSION	PART REV.	LOOSE PIECES PACKAGING VERSION	PART REV.	POLARIZ. POSITION (INTERVIA)	L (mm)	STRIP COLOUR
2		1-282042-1	U	2-282042-1	U	-	10.8	ARANCIONE (ORANGE)
2		1-282042-2	U	2-282042-2	U	-	10.8	VERDE (GREEN)
2		1-282042-3	U	2-282042-3	U	-	9.9	BLU (BLUE)
2		1-282042-4	U	2-282042-4	U	-	10.8	ROSSO (RED)
2		1-282042-5	U	2-282042-5	U	-	9.9	NERO (BLACK)
2		1-282042-6	V	-	-	-	9.9	VIOLA (VIOLET)
2		1-284561-1	V	-	-	-	9.9	VERDE (GREEN)
2		1-284561-2	V	-	-	-	9.9	-
3		1-282043-2	U	2-282043-2	U	-	14.9	-
		1-282043-3	U	2-282043-3	U	-	14.9	NERO (BLACK)
3		0-282235-2	U	2-282235-2	U	-	15.8	-
		0-282235-3	U	2-282235-3	U	-	15.8	NERO (BLACK)
3		1-284546-1	V	-	-	2-3	14.9	BLU (BLUE)
3		284546-2	Z	-	-	-	14.9	VERDE (GREEN)
4		1-282044-1	V	2-282044-1	V	-	19.9	-
		3-282044-1	V	-	-	-	19.9	-
4		3-282044-2	I	-	-	2-3	19.9	-

CONNETTORE COMPLETO DI CAVO (TERMINATED CONNECTOR)

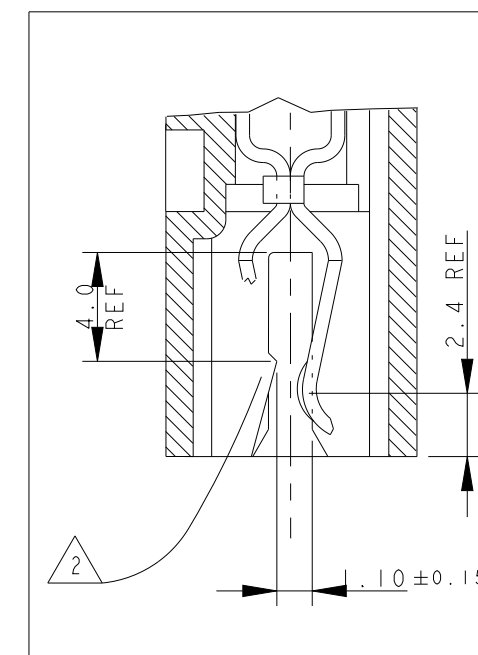


22.5 max. (FOR REFERENCE ONLY)

LEGENDA (DESCRIPTION)



1) PER LE DIMENSIONI DEGLI SCARICHI SUL PCB VEDERE FOGLIO 5 E 6 (FOR PCB LAYOUT AND DIMENSIONS SEE SHEET 5 AND 6)



2) GLI AGGANCI PER DIMA CIRCUITO STAMPATO, SONO SEMPRE RICAVATI SULLA SECONDA E PENULTIMA PARETE DEL BLOCCETTO (INDICATI COME X-Y SUI DETTAGLI DEL DISEGNO) (LOCKING TEETH ARE OBTAINED ON THE SECOND AND THE SECOND-LAST WALL (NAMED X-Y ON RELEVANT DWG. DETAILS))

3) MARCHIO DI FABBRICA (LIBERA POSIZIONE) (TRADEMARK) (FREE POSITION)

4) NUMERI DI IDENTIFICAZIONE CAVITA' (CIRCUIT IDENTIFICATION)

5) ADATTO PER SCHEDA CIRCUITO STAMPATO SPESSORE 1.5±0.14 (SUITABLE FOR P.C.B. THK. 1.5±0.14)

6) PRELIMINARY PART - NOT YET RELEASED FOR PRODUCTION

12) INCLUDE LA POLARIZZAZIONE DOVE E' ESISTENTE (INCLUDING POLARIZATION KEY, WHEN EXISTING)

15) STATO DI FORNITURA: CONFEZIONAMENTO IN "VASSOI + SCATOLA" (PACKAGING: "ON TRAY PLUS CARTON BOX")

16) CONFEZIONAMENTO IN BOBINA OBSOLETATO (PACKAGING: "ON REEL" OBSOLETE)

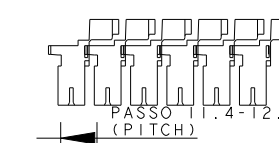
17) APPROVAZIONE VDE, FILE No. 3905 (VDE APPROVAL, FILE No. 3905)

18) PROFILO "A" E' VALIDO PER OGNI CONFIGURAZIONE, PROFILO "B" E' AMMESSO SOLO PER I PN IDENTIFICATI IN TABELLA DALLA PRESENTE NOTA. VEDERE DETTAGLI A PAGINA 3. (SHAPE "A" VALID FOR EACH CONFIGURATION, SHAPE "B" IS PERMITTED ONLY ON PN WHERE THIS NOTE IS SHOWN ON RELEVANT DRAWING TABLE). SEE DETAILS AT PAGE 3.

19) OBSOLETE: CIS STREAMLINING PER D.RENAUD/D.SINISI

20) OBSOLETE

21) PA GF, UL-V0 GWEPT 750°C NO FLAME, NATURAL



2	BLOCCETTO (HOUSING)	NATURALE (NATURAL)	PA 6.6 CARICATO VETRO (POLIAMIDE 6.6 GLASSFIBER FILLED)
1	CONTATTO (CONTACT)	STAGNATO (TIN-PLATED)	OTTONE (BRASS)
ITEM (ITEM)	DENOMINAZIONE (DESCRIPTION)	FINITURA/COLORE (FINISH/COLOUR)	MATERIALE (MATERIAL)

THIS DRAWING IS A CONTROLLED DOCUMENT.

DWN: C.CORDOLA 23JUL1996
 CHK: G.TURCO 23JUL1996
 APVD: G.TURCO 23JUL1996

STE TE Connectivity

NAME: MONO-SHAPE, MK1 PCB CONNECTOR 2-12 POS.

PRODUCT SPEC: 108-20067
 APPLICATION SPEC: 114-20018

SIZE: A2 CAGE CODE: 1 DRAWING NO: C-282042 RESTRICTED TO: A

MATERIAL: CONNETTORE NYLON (CONNECTOR NYLON) STAGNATO (TIN PLATED)
 CONTATTO OTTONE (CONTACT BRASS)

SCALE: - SHEET: 8 OF 11 REV: 242

4 3 2 1

THIS DRAWING IS UNPUBLISHED. RELEASED FOR PUBLICATION PART NUMBER ASSY CONN.
 © COPYRIGHT copyright dbTe- ALL RIGHTS RESERVED.

REVISIONS				
P	LTR	DESCRIPTION	DATE	APVD
		SEE SHEET 1		

NUMERO DI VIE	CONFIGURAZIONE (VISTA CON USCITA CAVI IN ALTO)	VERSIONE PEZZI IN VASSOIO	REV	VERSIONE PEZZI SCIOLTI	REV	POSIZIONE POLARIZ. (INTERVIA)	L (mm)	MARCHIATURA CON BANDA COLORATA
NO. OF POS.	CONFIGURATION (VIEW WITH CABLE EXIT UP)	ON TRAY VERSION	PART REV.	LOOSE PIECES PACKAGING VERSION	PART REV.	POLARIZ. POSITION (INTERVIA)	L (mm)	STRIP COLOUR
5		1-282045-1	U	2-282045-1	U	-	24.9	-
5		1-282045-2	U	2-282045-2	U	2-3	24.9	VERDE (GREEN)
5		1-282045-3	U	2-282045-3	U	2-3	24.9	BLU (BLUE)
5		1-284733-1	U	2-284733-1	U	-	24.9	-
5		3-282045-4	Z	-	-	1-2	24.9	ARANCIONE (ORANGE)
6		1-282046-1	U	2-282046-1	U	2-3	29.9	-
6		2-282046-2	I	-	-	2-3	29.9	-
6		4-282046-1	Z	5-282046-1	I	2-3	29.9	-
6		1-284734-1	U	2-284734-1	U	2-3	29.9	-
7		1-282047-1	U	2-282047-1	U	-	34.9	-
7		2-282047-3	Z	-	-	2-3	34.9	VIOLA (VIOLET)
8		0-284208-1	U	2-284208-1	U	2-3	39.9	-
9		1-282049-1	U	2-282049-1	U	2-3 6-7	44.9	-
10		1-282050-1	U	2-282050-1	U	2-3 7-8	49.9	-
10		1-284401-1	V	-	-	2-3	49.9	NERO (BLACK)
11		1-282051-1	U	2-282051-1	U	2-3 8-9	54.9	-
12		1-282052-1	U	2-282052-1	U	2-3 9-10	59.9	-

CONNETTORE COMPLETO DI CAVO (TERMINATED CONNECTOR)

22.5 max. (FOR REFERENCE ONLY)

LEGENDA (DESCRIPTION)

AMP MONO-SHAPE PCB CONNECTOR

① Parte anteriore connettore (Lato cavi) (Top side connector) (Cable side)

lato banda colorata (Colour strip side)

1) PER LE DIMENSIONI DEGLI SCARICHI SUL PCB VEDERE FOGLIO 5 E 6 (FOR PCB LAYOUT AND DIMENSIONS SEE SHEET 5 AND 6)

4.0 REF

2.4 REF

1.10 ± 0.15

② GLI AGGANCI PER DIMA CIRCUITO STAMPATO, SONO SEMPRE RICAVATI SULLA SECONDA E PENULTIMA PARETE DEL BLOCCETTO (INDICATI COME X-Y SUI DETTAGLI DEL DISEGNO) (LOCKING TEETH ARE OBTAINED ON THE SECOND AND THE SECOND-LAST WALL (NAMED X-Y ON RELEVANT DWG. DETAILS))

③ MARCHIO DI FABBRICA (LIBERA POSIZIONE) (TRADEMARK) (FREE POSITION)

④ NUMERI DI IDENTIFICAZIONE CAVITA' (CIRCUIT IDENTIFICATION)

⑤ ADATTO PER SCHEDA CIRCUITO STAMPATO SPESSORE 1.5 ± 0.14 (SUITABLE FOR P.C.B. THK. 1.5 ± 0.14)

⑥ PRELIMINARY PART - NOT YET RELEASED FOR PRODUCTION

⑫ INCLUDE LA POLARIZZAZIONE DOVE E' ESISTENTE (INCLUDING POLARIZATION KEY, WHEN EXISTING)

15) STATO DI FORNITURA: CONFEZIONAMENTO IN "VASSOI + SCATOLA" (PACKAGING: "ON TRAY PLUS CARTON BOX")

16) CONFEZIONAMENTO IN BOBINA OBSOLETATO (PACKAGING: "ON REEL" OBSOLETE)

17) APPROVAZIONE VDE, FILE No. 3905 (VDE APPROVAL, FILE No. 3905)

⑮ PROFILO "A" E' VALIDO PER OGNI CONFIGURAZIONE, PROFILO "B" E' AMMESSO SOLO PER I PN IDENTIFICATI IN TABELLA DALLA PRESENTE NOTA (SHAPE "A" VALID FOR EACH CONFIGURATION, SHAPE "B" IS PERMITTED ONLY ON PN WHERE THIS NOTE IS SHOWN ON RELEVANT DRAWING TABLE)

⑰ OBSOLETE: CIS STREAMLINING PER D.RENAUD/D.SINISI

⑳ OBSOLETE

⑳ PA GF, UL-V0 GWEPT 750°C NO FLAME, NATURAL

2	BLOCCETTO (HOUSING)	NATURALE (NATURAL)	PA 6.6 CARICATO VETRO (POLIAMIDE 6.6 GLASSFIBER FILLED)
1	CONTATTO (CONTACT)	STAGNATO (TIN-PLATED)	OTTONE (BRASS)
ITEM	DENOMINAZIONE (DESCRIPTION)	FINITURA/COLORE (FINISH/COLOUR)	MATERIALE (MATERIAL)

PASSO 1.4-12.4 (PITCH)

THIS DRAWING IS A CONTROLLED DOCUMENT.		DWN C.CORDOLA 23JUL1996	TE Connectivity	
DIMENSIONS: mm		CHK G.TURCO 23JUL1996		
TOLERANCES UNLESS OTHERWISE SPECIFIED:		APVD G.TURCO 23JUL1996	NAME MONO-SHAPE, MK1 PCB CONNECTOR 2-12 POS.	
0 PLC ± 0.3		PRODUCT SPEC 108-20067	SIZE A2	
1 PLC ± 0.3		APPLICATION SPEC 114-20018	CAGE CODE 1	
2 PLC ± 0.3		WEIGHT -	DRAWING NO C-282042	
3 PLC ± 0.3		CUSTOMER DRAWING	RESTRICTED TO	
4 PLC ± 0.3		SCALE 2:1	SHEET 9 OF 11	
ANGLES ± 2°		REV 742		
MATERIAL CONNETTORE NYLON (CONNECTOR NYLON) CONTATTO OTTONE (CONTACT BRASS)		FINISH STAGNATO (TIN PLATED)		

1471-9 (3/13)

THIS DRAWING IS UNPUBLISHED. RELEASED FOR PUBLICATION
 © COPYRIGHT copyright.d8Te- ALL RIGHTS RESERVED.

REVISIONS				
P	LTR	DESCRIPTION	DATE	APVD
-	-	SEE SHEET 1	-	-

21 PA GF, UL-V0 GWEPT 750°C NO FLAME, NATURAL

NO of POS.	CONFIGURATION (SEE TYP. SECTION ONLY FOR REF 1)	ON TRAY PACKAGING VERSION	PART REV.	LOOSE PIECES PACKAGING VERSION	PART REV.	POLARIZ. POSITION (INTERVIA)	"L" (mm)	COLOR CODE
2		2293372-2	Z	-	-	-	9.9	BLUE
2		1-2293372-2	Z	-	-	-	9.9	-
2		2-2293372-2	I	-	-	-	9.9	-
3		2293372-3	I	-	-	-	14.9	-
4		2293372-4	Z	-	-	-	19.9	-
5		2293372-5	Z	-	-	1-2	24.9	-
6		2293372-6	Z	-	-	2-3	29.9	-
7		2293372-7	Z	-	-	-	34.9	-
7		1-2293372-7	I	-	-	2-3	34.9	VIOLET
8		2293372-8	Z	-	-	-	39.9	-
9		2293372-9	Z	-	-	2-3 6-7	44.9	-
10	-	1-2293372-0	I	-	-	-	49.9	-
11	-	2297072-1	I	-	-	-	54.9	-
12		2297072-2	I	-	-	2-3 9-10	59.9	-

THIS DRAWING IS A CONTROLLED DOCUMENT.		DWN C. CORDOLA 23 JUL 1996	TE Connectivity	
DIMENSIONS: mm		CHK G. TURCO 23 JUL 1996		
TOLERANCES UNLESS OTHERWISE SPECIFIED:		APVD G. TURCO 23 JUL 1996	NAME MONO-SHAPE, MK I PCB CONNECTOR 2-12 POS.	
		PRODUCT SPEC 108-20067	RESTRICTED TO	
MATERIAL CONNETTORE NYLON (CONNECTOR NYLON) CONTATTO OTTONE (CONTACT BRASS)		APPLICATION SPEC 114-20018	SIZE A2	CAGE CODE 1
FINISH STAGNATO (TIN PLATED)		WEIGHT -	DRAWING NO C-282042	SCALE 2:1
CUSTOMER DRAWING		SHEET 10 OF 11		REV. Z42

THIS DRAWING IS UNPUBLISHED. RELEASED FOR PUBLICATION
 © COPYRIGHT copyright.dBTe- ALL RIGHTS RESERVED.

REVISIONS				
P	LTR	DESCRIPTION	DATE	APVD
-	-	SEE SHEET 1	-	-

△ PA GF, UL-V0 GWEPT 750°C NO FLAME, NATURAL

LONG VERSION

PARTS HAVE NOT YET COMPLETED QUALIFICATION TESTING

NO. of POS.	CONFIGURATION (SEE TYP. SECTION ONLY FOR REF.)	ON TRAY PACKAGING VERSION	PART REV.	POLARIZ. POSITION (INTERNAL)	"L" (mm)	COLOR CODE
2		2298752-2	Z	-	9.9	BLUE
2		1-2298752-2	Z	-	9.9	BLACK
3		2298752-3	Z	-	14.9	-
4		2298752-4	Z	-	19.9	-
5		2298752-5	Z	1-2	24.9	ORANGE
5		1-2298752-5	Z	2-3	24.9	GREEN
6		2298752-6	Z	2-3	29.9	-
7		2298752-7	Z	-	34.9	-
8		2298752-8	Z	2-3	39.9	-
9		2298752-9	Z	2-3 6-7	44.9	-
10		1-2298752-0	Z	2-3 7-8	49.9	-
11		2298552-1	Z	2-3 8-9	54.9	-
12		2298552-2	Z	2-3 9-10	59.9	-

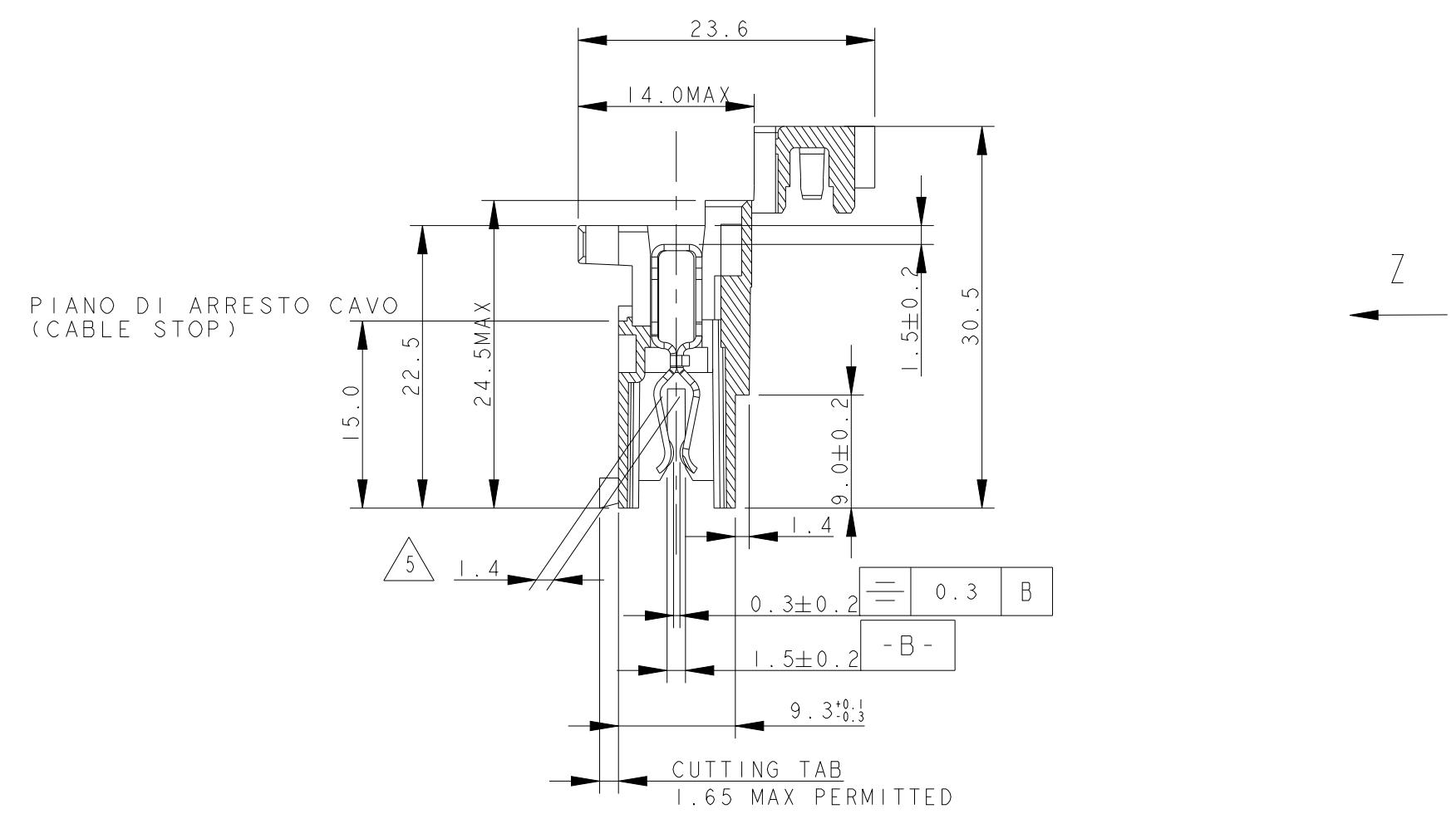
LONG VERSION

PARTS HAVE NOT COMPLETED QUALIFICATION TESTING

PA GF, UL-V2, NATURAL

NO. OF POS.	CONFIGURATION	ON TRAY PACKAGING VERSION	PART REV.	POLARIZATION	"L"	COLOR CODE
2		2333039-2	Z	-	9.9	BLUE
2		1-2333039-2	Z	-	9.9	BLACK
3		2333039-3	Z	-	14.9	-
4		2333039-4	Z	-	19.9	-
5		2333039-5	Z	2-3	24.9	GREEN
6		2333039-6	Z	2-3	29.9	-
7		2333039-7	Z	-	34.9	-
8		2333039-8	Z	2-3	39.9	-

VIEW APPLIES TO LONG VERSION ONLY



THIS DRAWING IS A CONTROLLED DOCUMENT.		DWN C. CORDOLA 23 JUL 1996		TE Connectivity	
DIMENSIONS: mm		CHK G. TURCO 23 JUL 1996		NAME MONO-SHAPE, MK1 PCB CONNECTOR 2-12 POS.	
TOLERANCES UNLESS OTHERWISE SPECIFIED:		APVD G. TURCO 23 JUL 1996	PRODUCT SPEC 108-20067		
0 PLC ± 0.3 1 PLC ± 0.3 2 PLC ± 0.3 3 PLC ± 0.3 4 PLC ± 0.3		APPLICATION SPEC 114-20018		SIZE A2	CAGE CODE 1
ANGLES ± 2°		WEIGHT -		DRAWING NO C-282042	RESTRICTED TO
MATERIAL CONNETTORE NYLON (CONNECTOR NYLON) CONTATTO OTTONE (CONTACT BRASS)		FINISH STAGNATO (TIN PLATED)		CUSTOMER DRAWING	
		SCALE 2:1		SHEET 11	OF 11
				REV Z42	

X-ON Electronics

Largest Supplier of Electrical and Electronic Components

Click to view similar products for [Headers & Wire Housings](#) category:

Click to view products by [TE Connectivity](#) manufacturer:

Other Similar products are found below :

[892-18-020-10-001101](#) [58102-G61-06LF](#) [582553-1](#) [0009485154](#) [009176003701906](#) [0050291907](#) [LY20-4P-DT1-P1E-BR](#) [02.125.8002.8](#)
[609-3404](#) [61062-3](#) [61082-181009](#) [622-3653LF](#) [63453-116](#) [636-1030](#) [636-1427](#) [636-3427](#) [636-4007](#) [641938-9](#) [641991-4](#) [644827-2](#) [65817-](#)
[010LF](#) [65817-015LF](#) [65863-015LF](#) [66207-023LF](#) [67095-007LF](#) [67601157](#) [68645-018](#) [68648-049](#) [70.362.1628.0](#) [70-4210](#) [70-4226B](#) [70-](#)
[4853B](#) [707-5020](#) [707-5028](#) [71.350.2428.0](#) [71918-208LF](#) [71961-016LF](#) [733-134](#) [733-162](#) [754199-000](#) [760-3052](#) [787-8014-00](#) [79531-3000](#)
[FCN-360C032-B](#) [FCN-367T-T012/H](#) [FCN-723D010/2](#) [80.063.4001.1](#) [800-90-001-10-001000](#) [800-90-010-10-002000](#) [801-43-002-10-013000](#)