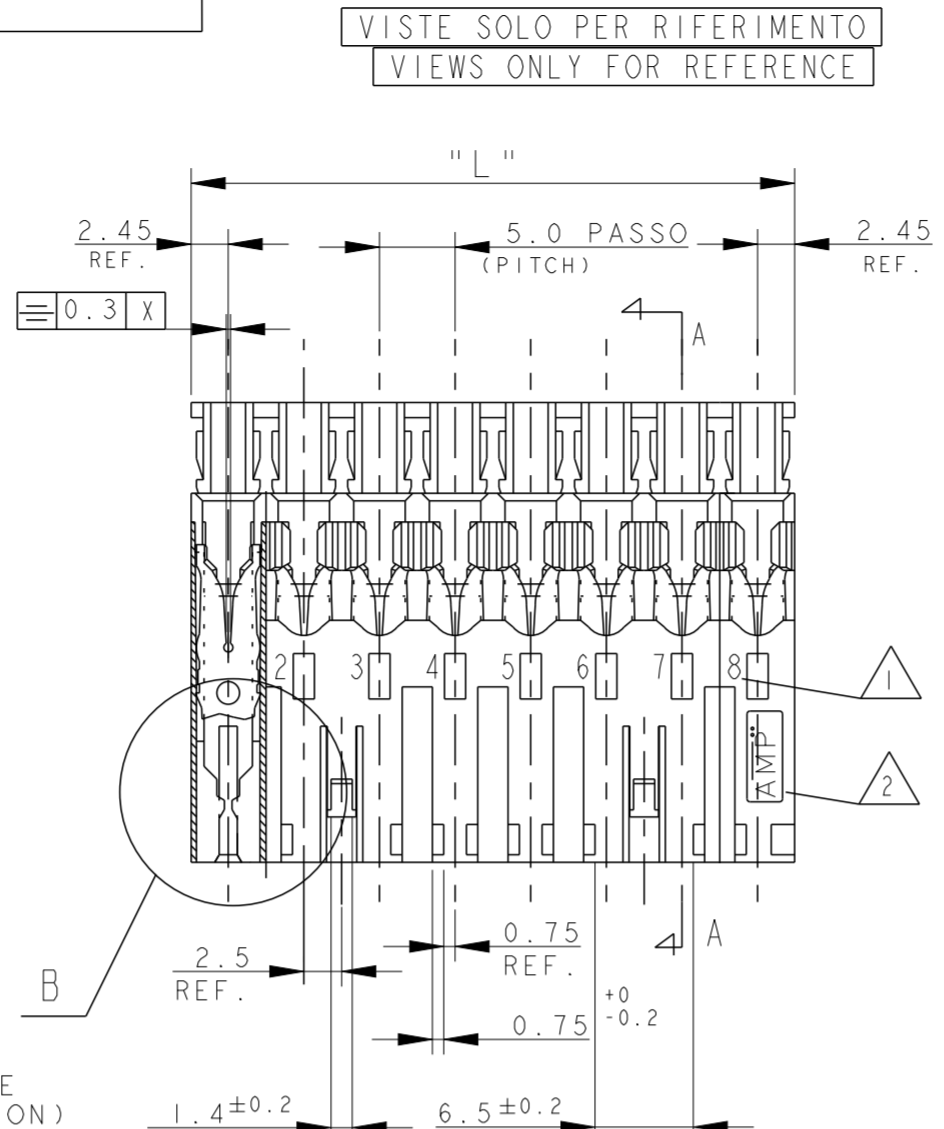
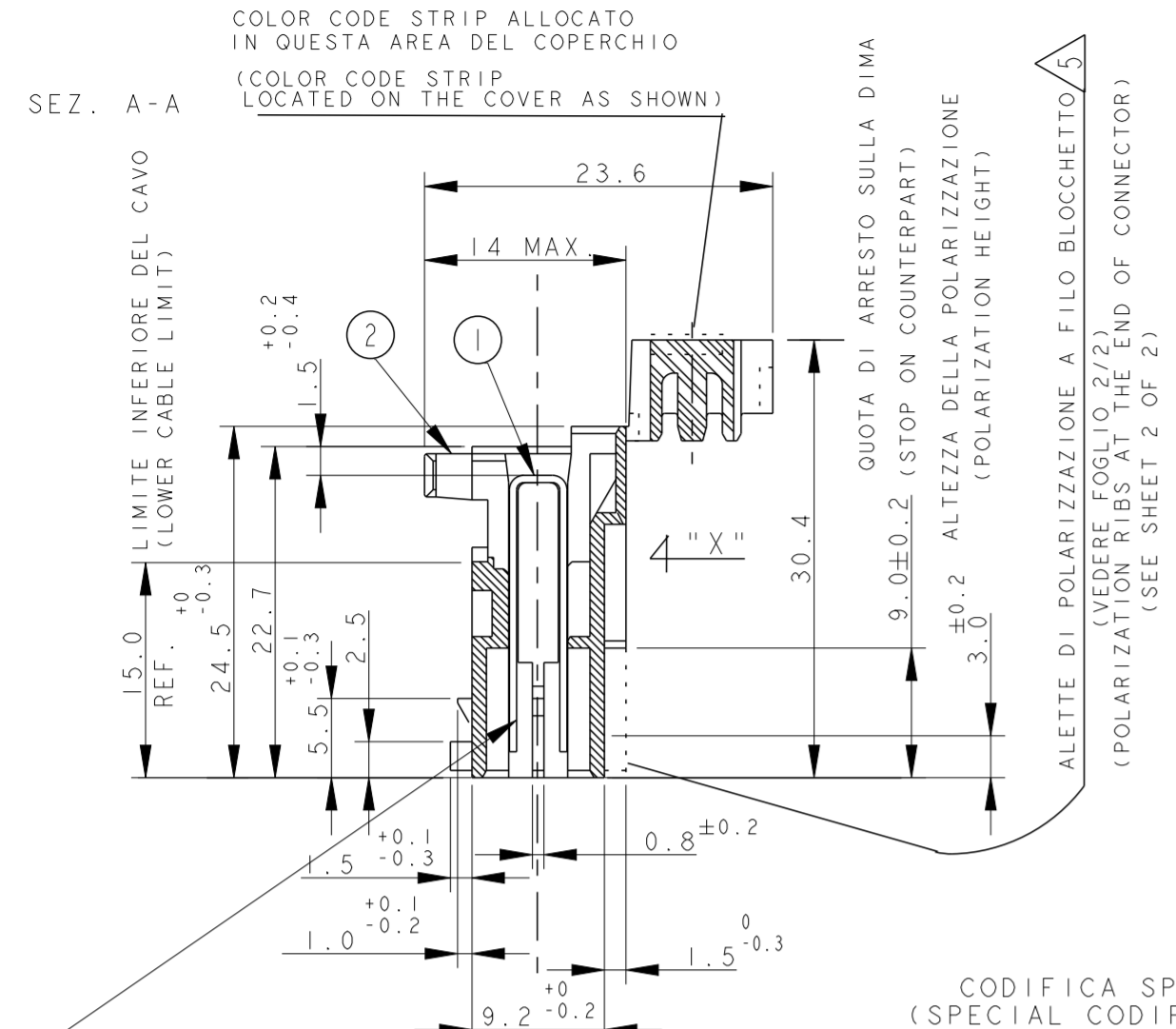
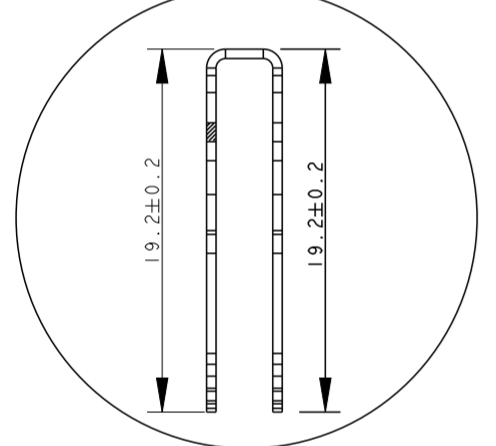


THIS DRAWING IS UNPUBLISHED. RELEASED FOR PUBLICATION
 © COPYRIGHT 2011 ALL RIGHTS RESERVED.

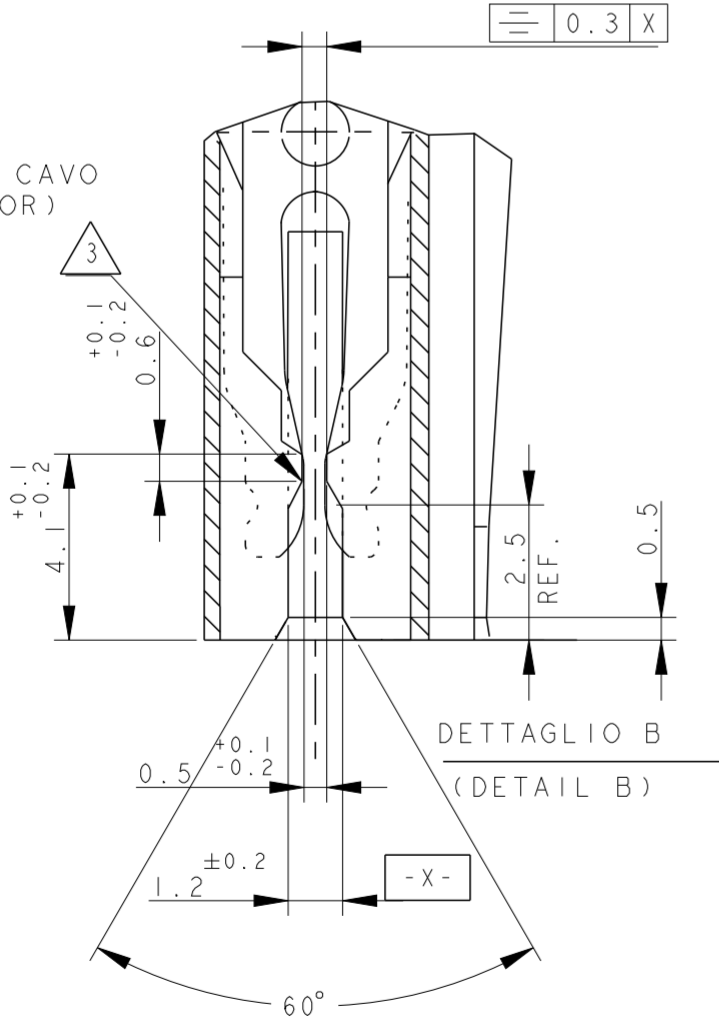
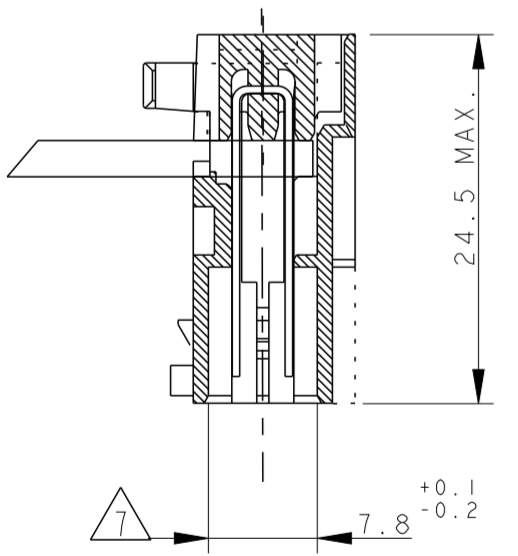
LOC		DIST		REVISIONS			
P	LTR	DESCRIPTION	DATE	DWN	APVD		
AB1	ECR-21-110402		30AUG2021	KD	FL		
AB2	ECR-22-128431		04FEB2022	SM	FL		



DETTAGLIO DEL CONTATTO, DIMENSIONI RIFERITE AL COMPONENTE INSERITO IN CAVITÀ (ENLARGED VIEW OF TAB CONTACT DIM. REFERRED TO CONTACT INSERTED IN THE HOUSING CAVITY)

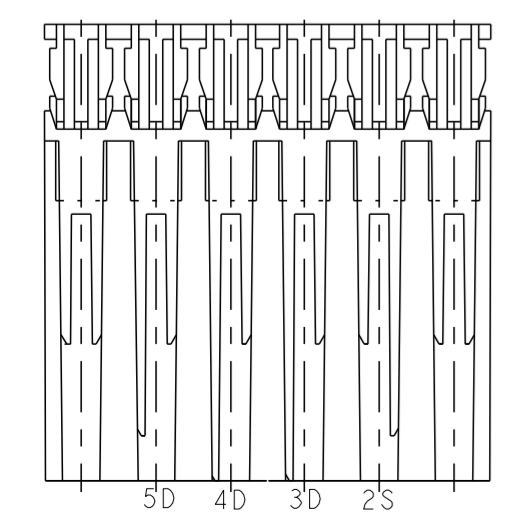


CONNETTORE COMPLETO DI CAVO (TERMINATED CONNECTOR)

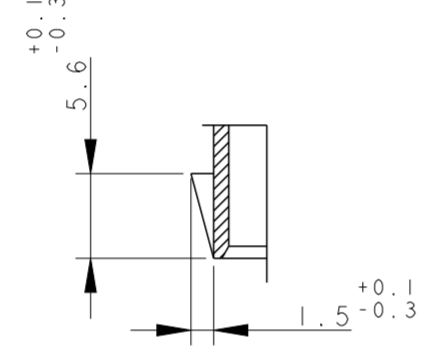


DETAIL PN/s:
 1-282006-3
 2-282006-3
 3-282006-3

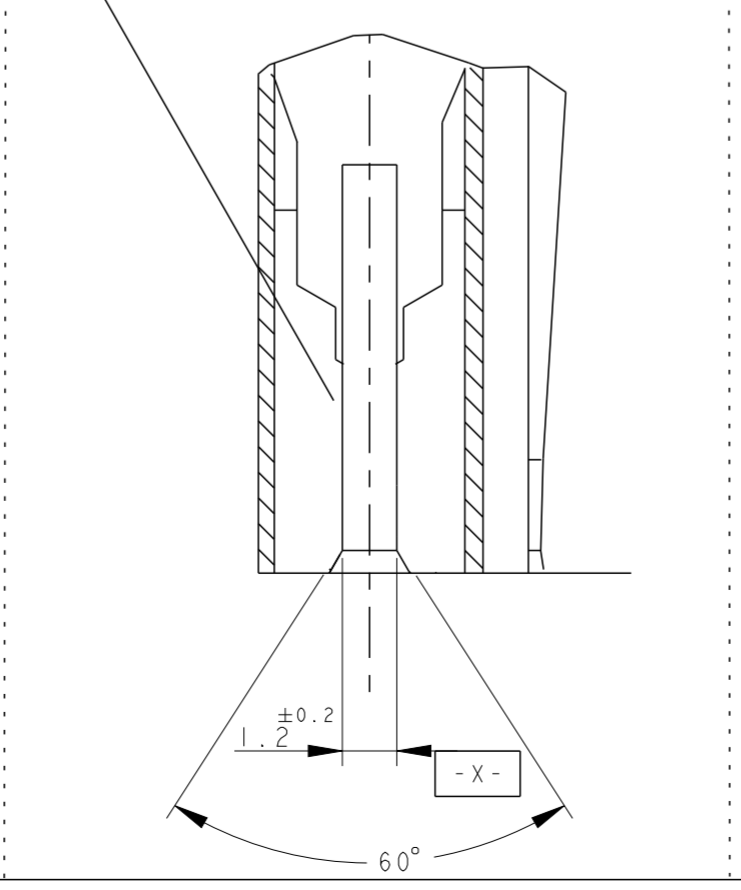
POLARIZATION KEYS (VIEW FROM "X")



CODIFICA SPECIALE (SPECIAL CODIFICATION)



PN X-282002-8
 PN I-2293382-2
 (DETAIL "B" FOR CAVITY 1 & 2)

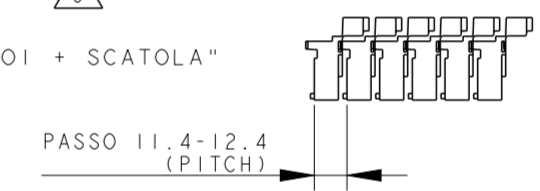
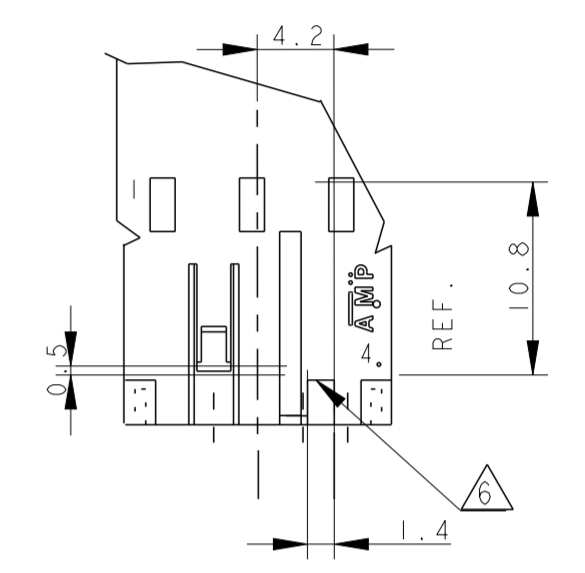


VISTE SOLO PER RIFERIMENTO
 VIEWS ONLY FOR REFERENCE

NOTE/NOTES:

- 1 NUMERI DI IDENTIFICAZIONE CAVITÀ (CIRCUIT IDENTIFICATION)
- 2 MARCHIO DI FABBRICA LIBERA POSIZIONE (AMP LOGO FREE POSITION)
- 3 RETENTION TOOTH IS REQUESTED FOR THE 2 AND 3 POS. ONLY
- 4 PERTE PRELIMINARE, NON ANCORA IN PRODUZIONE (PRELIMINARY PART, NOT YET RELEASED FOR PRODUCTION)
- 5 PER QUESTI P/N LA POLARIZZAZIONE POSTERIORE DEVE INTENDERSI COMPLETA, A FINE BLOCCETTO (FOR THE INDICATE P/N THE POLARIZATION MUST BE AT THE END OF CONNECTOR (see sheet 2 of 2.
- 6 CODIFICA CON DIFFERENTE DIMENSIONE (CODIFICATION WITH DIFFERENT DIMENSION).
- 7 BECOMES 6.5 FOR BOTH CAVITIES ON THE 2 POS., ON CAVITY N.1 AND N.3 ON THE 3 POS. AND ON CAVITY N.1 ON THE 4 POS. CONNECTOR
- 8 INCLUDE LA POLARIZZAZIONE DOVE E' ESISTENTE (INCLUDING POLARIZATION KEY, WHEN EXISTING)
- 9 DETAIL FOR PN X-282002-8 AND PN I-2293382-2, SPECIAL VERSION, SEE ALSO NOTE 3
- 10 P/N NON RILASCIATO PER LA PRODUZIONE (P/N NOT YET RELEASED FOR PRODUCTION)
- 11 ---
- 12 GEOMETRIA ALTERNATIVA DEL DENTINO DI AGGANCIAMENTO VEDI NOTA 3 PER ALTRI DETTAGLI (ALTERNATIVE SHAPE FOR RETENTION TOOTH, SEE NOTE 3 FOR ADDITIONAL DETAILS)
- 13 STATO DI FORNITURA: CONFEZIONAMENTO IN "VASSOI + SCATOLA" (PACKAGING: "ON TRAY PLUS CARTON BOX")
- 14 CONFEZIONAMENTO IN BOBINA OBSOLETO (PACKAGING: ON REEL OBSOLETE)
- 15 OBSOLETE PARTS: OBSOLETE CIS STREAMLINING PER D.RENAUD/D.SINISI
- 16 THE DESIRED POLARIZATION CAN BE OBTAINED BY THE TERMINATION MACHINE
- 17 EXCEPTION MADE FOR PN FOR THIS PN CAVITY 1 IS WITHOUT RETENTION TOOTH AND HAS THE SAME DESIGN AS THE CAVITY N.2
- 18 OBSOLETE PART

DETAIL FOR PN 0-282233-2 ONLY



ITEM	DENOMINAZIONE (DESCRIPTION)	FINITURA / COLORE (FINISH / COLOUR)	MATERIALE (MATERIAL)
2	BLOCCETTO (HOUSING)	NATURALE (NATURAL)	PA 6.6 CARICATO VETRO (POLIAMIDE 6.6 GLASSFIBER FILLED)
1	CONTATTO (CONTACT)	STAGNATO (TIN-PLATED)	OTTONE (BRASS)

THIS DRAWING IS A CONTROLLED DOCUMENT.

DIMENSIONS: mm	TOLERANCES UNLESS OTHERWISE SPECIFIED: 0.3	DWN G. ENDRIZZI 23JUL1995	NAME
		CHK G. TURCO 23JUL1995	MONO-SHAPE MK1 TAB CONNECTORS 2-10 POS.
		APVD G. TURCO 23JUL1995	SIZE CAGE CODE DRAWING NO RESTRICTED TO
MATERIAL SEE TABLE	FINISH SEE TABLE	108-20065-1, 108-20065-2 APPLICATION SPEC	A20779 C-282002
		114-20016, 114-20016-1	SCALE SHEET 1 OF 7 REV AB2

Customer Drawing

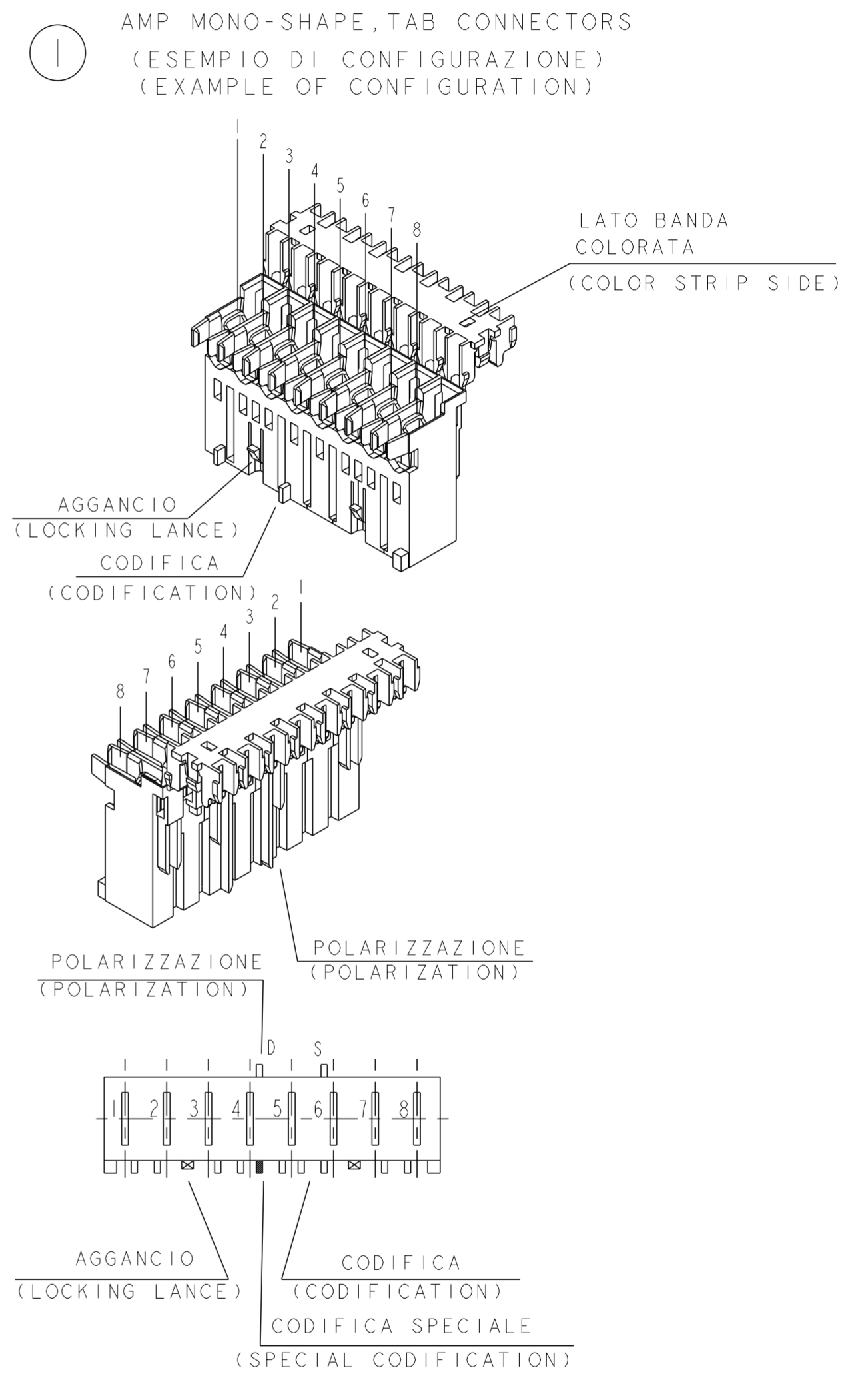
THIS DRAWING IS UNPUBLISHED. RELEASED FOR PUBLICATION
 © COPYRIGHT 2011 ALL RIGHTS RESERVED.

LOC		DIST		REVISIONS			
P	LTR	DESCRIPTION		DATE	DWN	APVD	
-	-	SEE SHEET 1					

NUMERO DI VIE	CONFIGURAZIONE (Vista connettore dall'alto) ①	TE PART NUMBER ASSY CONN.				POSIZIONE POLARIZ. (LATO POSTERIORE)	POSIZIONE AGGANCIO (LATO ANTERIORE)	POSIZIONE CODIFICA SPECIALE (LATO ANTERIORE)	L +0.2 / -0.3 (mm) ⑧	NOTE MARCHIATURA CON BANDA COLORATA	POSSIBILE RAST 5 POLARIZ. ①⑥
		VERSIONE PEZZI IN VASSOIO	VERSIONE PEZZI SCIOLTI	TRAY PACKAGING VERSION	PART REV						
NO OF POS	CONFIGURATION (View from top side) ①	TRAY PACKAGING VERSION	PART REV	LOOSE PIECES PACKAGING VERSION	PART REV	POLARIZ. POSITION (BACK SIDE)	LOCKING POSITION (FRONT SIDE)	SPECIAL COD. POSITION (FRONT SIDE)	L +0.2 / -0.3 (mm)	NOTE STRIP COLOUR	POSSIBLE RAST 5 POLARIZ.
2		4-282002-1	AA	-	-	2S ⑤	1-2	-	9.9	NERO BLACK	02-C
2		1-282002-1	V	2-282002-1	V	2S ⑤	1-2	-	9.9	NERO BLACK	02-C
2		1-282002-2	V	2-282002-2	V	1S	1-2	-	9.9	GRIGIO GREY	02-B 02-E 02-F
2		1-282002-3	V	2-282002-3	V	2D	1-2	-	9.9	ROSSO RED	02-L
2		1-282002-4	V	2-282002-4	V	1D ⑤ 2S ⑤	1-2	-	9.9	BLU BLUE	02-A
2		1-282002-5	V	2-282002-5	V	1D	1-2	-	9.9	NERO BLACK	02-Q
2		3-282002-5	AA	-	-	1D	1-2	-	9.9	NERO BLACK	02-Q
2		1-282002-6	V	2-282002-6	V	-	1-2	-	9.9	NERO BLACK	-
2		1-282002-7	V	2-282002-7	V	-	1-2	-	9.9	-	-
2		1-282002-8	V	2-282002-8	V	1S 2D	1-2	-	9.9	VERDE GREEN	02-B 02-E 02-F
2		2-282002-9	I	-	-	1D 2D	1-2	-	9.9	-	-
2		3-282002-0	I	-	-	1S 1D	1-2	-	9.9	-	-
2		3-282002-4	AA	-	-	1D ⑤ 2S ⑤	1-2	-	9.9	-	02-A
2		5-282002-2	A	-	-	1S 2D	1-2	-	9.9	YELLOW	02-B 02-E 02-F
2		6-282002-0	AA	-	-	1S ⑤ 2S ⑤	1-2	-	9.9	RED	-

VISTE SOLO PER RIFERIMENTO
 VIEWS ONLY FOR REFERENCE

LEGENDA
 (DESCRIPTION)



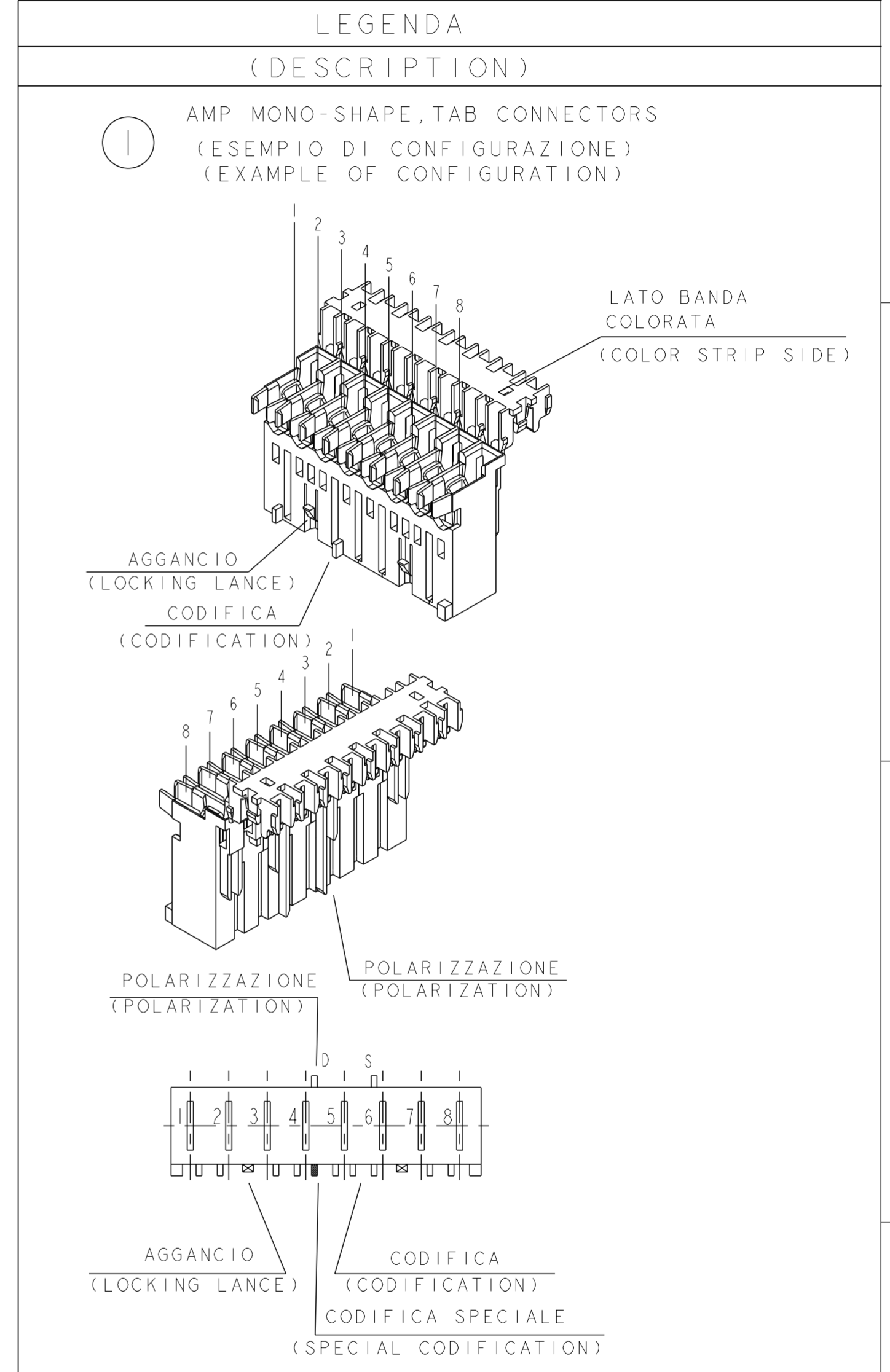
THIS DRAWING IS A CONTROLLED DOCUMENT.		DWN G. ENDRIZZI 23 JUL 1995	TE Connectivity	
DIMENSIONS: mm		CHK G. TURCO 23 JUL 1995		
TOLERANCES UNLESS OTHERWISE SPECIFIED:		APVD G. TURCO 23 JUL 1995	NAME	
0 PLC ± 1 PLC ± 2 PLC ± 3 PLC ± 4 PLC ± ANGLES ±		PRODUCT SPEC 108-20065-1, 108-20065-2	MONO-SHAPE MK1 TAB CONNECTORS 2-10 POS.	
MATERIAL FINISH		APPLICATION SPEC 114-20016, 114-20016-1	SIZE	RESTRICTED TO
SEE TABLE	SEE TABLE	WEIGHT -	A2p0779C-282002	
		Customer Drawing	SCALE -	SHEET 2 OF 7 REV AB2

THIS DRAWING IS UNPUBLISHED. RELEASED FOR PUBLICATION
 © COPYRIGHT 2011 ALL RIGHTS RESERVED.

LOC	DIST	REVISIONS			
P	LTR	DESCRIPTION	DATE	DWN	APVD
-	-	SEE SHEET 1			

VISTE SOLO PER RIFERIMENTO
 VIEWS ONLY FOR REFERENCE

NUMERO DI VIE	CONFIGURAZIONE (Vista connettore dall'alto)	TE PART NUMBER ASSY CONN.				POSIZIONE POLARIZ. (LATO POSTERIORE)	POSIZIONE AGGANCIAMENTO (LATO ANTERIORE)	POSIZIONE CODIFICA SPECIALE (LATO ANTERIORE)	L +0.2 / -0.3 (mm)	NOTE MARCHIATURA CON BANDA COLORATA	POSSIBILI RAST 5 POLARIZ.
		VERSIONE PEZZI IN VASSOIO	VERSIONE PEZZI SCIOLTI	TRAY PACKAGING VERSION	PART REV						
NO OF POS	CONFIGURATION (View from top side)	TRAY PACKAGING VERSION	PART REV	LOOSE PIECES PACKAGING VERSION	PART REV	POLARIZ. POSITION (BACK SIDE)	LOCKING POSITION (FRONT SIDE)	SPECIAL COD. POSITION (FRONT SIDE)	L +0.2 / -0.3 (mm)	NOTE STRIP COLOUR	POSSIBLE RAST 5 POLARIZ.
3		1-282003-1	V	2-282003-1	V	1D	1-2	-	14.9	ARANCIO ORANGE	03-A 03-1
3		4-282003-1	AA	-	-	1D ⁵	1-2	-	14.9	ARANCIO ORANGE	03-A 03-1 ⁷
3		1-282003-2	V	2-282003-2	V	2D	2-3	-	14.9	BLU BLUE	03-B
3		1-282003-3	V	2-282003-3	V	1S 3D	1-2	-	14.9	VERDE GREEN	03-F
3		1-282003-4	V	2-282003-4	V	2D 3D	2-3	-	14.9	ROSSO RED	03-B
3		1-282003-5	V	2-282003-5	V	2D 3D	2-3	-	14.9	GRIGIO GREY	03-B
3		1-282003-6	V	2-282003-6	V	-	1-2	-	14.9	VIOLA VIOLET	-
3		1-282003-7	V	-	-	2D 3D	2-3	-	14.9	NERO BLACK	03-B
3		3-282003-3	I	-	-	1S 1D	1-2	-	14.9	-	-
3		3-282003-4	I	-	-	1D - 2S 2D - 3S	1-2	-	14.9	-	-
3		3-282003-5	I	-	-	1S 3D	2-3	-	14.9	-	-
3		3-282003-6	AA	-	-	1S - 1D 2S - 2D	1-2	-	14.9	-	-
3		3-282003-7	AB	-	-	1S	1-2	-	14.9	-	-
3		0-282233-2	V	2-282233-2	V	1S ⁵	1-2	-	14.9	-	03-D ⁸
3		1-284396-1	Z	-	-	2S	2-3	-	14.9	NERO BLACK	-



THIS DRAWING IS A CONTROLLED DOCUMENT.		DWN G. ENDRIZZI 23 JUL 1995	TE Connectivity	
DIMENSIONS: mm		CHK G. TURCO 23 JUL 1995		
TOLERANCES UNLESS OTHERWISE SPECIFIED:		APVD G. TURCO 23 JUL 1995	NAME	
0 PLC ± 1 PLC ± 2 PLC ± 3 PLC ± 4 PLC ± ANGLES ±		PRODUCT SPEC 108-20065-1, 108-20065-2	MONO-SHAPE MK1 TAB CONNECTORS 2-10 POS.	
MATERIAL FINISH		APPLICATION SPEC 114-20016, 114-20016-1	SIZE	RESTRICTED TO
SEE TABLE		WEIGHT -	A200779	AB2
SEE TABLE		Customer Drawing	SCALE -	SHEET 3 OF 7

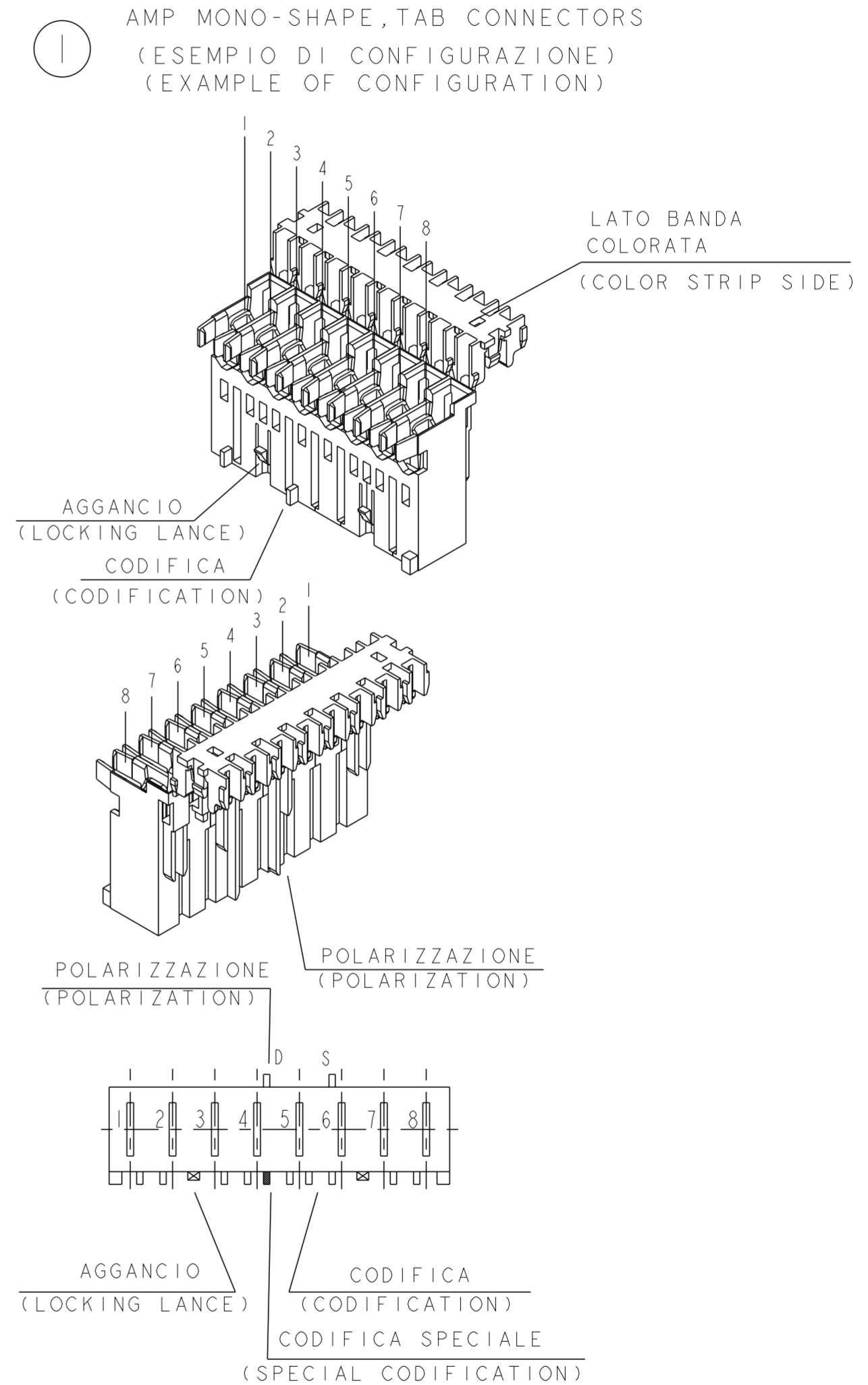
THIS DRAWING IS UNPUBLISHED. RELEASED FOR PUBLICATION
 © COPYRIGHT 2011 ALL RIGHTS RESERVED.

LOC		DIST		REVISIONS			
P	LTR	DESCRIPTION		DATE	DWN	APVD	
-	-	SEE SHEET 1					

NUMERO DI VIE	CONFIGURAZIONE (Vista connettore dall'alto)	TE PART NUMBER ASSY CONN.		POSIZIONE POLARIZ. (LATO POSTERIORE)	POSIZIONE AGGANCIO (LATO ANTERIORE)	POSIZIONE CODIFICA SPECIALE (LATO ANTERIORE)	L +0.2 / -0.3 (mm)	NOTE MARCHIATURA CON BANDA COLORATA	POSSIBLE RAST 5 POLARIZ.		
		VERSIONE PEZZI IN VASSOIO	VERSIONE PEZZI SCIOLTI								
NO OF POS	CONFIGURATION (View from top side)	TRAY PACKAGING VERSION	PART REV	LOOSE PIECES PACKAGING VERSION	PART REV	POLARIZ. POSITION (BACK SIDE)	LOCKING POSITION (FRONT SIDE)	SPECIAL COD. POSITION (FRONT SIDE)	L +0.2 / -0.3 (mm)	NOTE STRIP COLOUR	POSSIBLE RAST 5 POLARIZ.
4		1-282004-1	V	2-282004-1	V	1D	1-2	2D	19.9	GRIGIO GREY	04-A
4		1-282004-2	V	2-282004-2	V	3D	2-3	-	19.9	NERO BLACK	04-D
4		1-282004-3	V	2-282004-3	V	1D	1-2	2D	19.9	ROSSO RED	04-A
4		1-282004-4	S	-	-	3D	1-2	-	19.9	BLU BLUE	-
4		3-282004-4	AA	-	-	4D	3-4	-	19.9	-	04-A
4		4-282004-4	I	-	-	1S	1-2	-	19.9	-	-
5		1-282005-1	V	2-282005-1	V	4D	4-5	-	24.9	ROSSO RED	-
5		1-284545-1	Z	-	-	2S	4-5	-	24.9	ROSSO RED	-
5		1-284545-2	A	-	-	1S	-	3D	24.9	-	-
5		1-284545-3	A	-	-	5D	3-4	-	24.9	BLU BLUE	-
5		1-293003-5	Z	-	-	-	4-5	-	24.9	NERO BLACK	-
6		1-282006-2	V	2-282006-2	V	2S	2-3	-	29.9	VIOLA VIOLET	-
6		1-282006-3	V	2-282006-3	V	5D	4-5	-	29.9	-	-
6		2-282006-4	V	-	-	4D - 5D	-	5S	29.9	NERO BLACK	-
6		1-284745-1	Z	-	-	3D	4-5	-	29.9	ROSSO RED	-
6		1-284745-2	I	-	-	5D	4-5	4D	29.9	RED	-
6		1-284745-3	AA	-	-	6D	3-4	-	29.9	VIOLET	-
6		1-284745-4	AA	-	-	5D	3-4	-	29.9	VIOLET	-
6		1-284745-4	AA	-	-	1S	2-3	-	29.9	ORANGE	-
7		1-282007-1	V	2-282007-1	V	1D	1-2	3S	34.9	-	-
7		2-282007-2	V	-	-	5D	5-6	-	34.9	-	-
7		2-282007-2	V	-	-	4D	-	6S	34.9	VIOLA VIOLET	-
7		2-282007-3	I	-	-	6D	5-6	-	34.9	-	-
7		3-282007-2	AA	-	-	1S - 2S - 2D 3S - 3D - 4D 5S - 6S - 6D 7S - 7D	1-2	5S	34.9	-	-
7		1-284397-1	Z	-	-	-	1-2	-	34.9	NERO BLACK	-
7		1-293004-7	Z	-	-	-	1-2	-	34.9	ROSSO RED	-
7		2-293004-7	I	-	-	-	1-2	-	34.9	GRIGIO GREY	-
8		0-284085-1	V	2-284085-1	V	2D - 6S	-	4S	39.9	-	-
8		0-284085-2	V	2-284085-2	V	4D - 6D	2-3	-	39.9	VIOLA VIOLET	-

VISTE SOLO PER RIFERIMENTO
 VIEWS ONLY FOR REFERENCE

LEGENDA
 (DESCRIPTION)



THIS DRAWING IS A CONTROLLED DOCUMENT.		DWN G. ENDRIZZI	23 JUL 1995	 TE Connectivity MONO-SHAPE MK1 TAB CONNECTORS 2-10 POS.
DIMENSIONS: mm		CHK G. TURCO	23 JUL 1995	
TOLERANCES UNLESS OTHERWISE SPECIFIED: 0 PLC ±: 1 PLC ±: 2 PLC ±: 3 PLC ±: 4 PLC ±: PLC ANGLES ±		APVD G. TURCO	23 JUL 1995	
MATERIAL SEE TABLE		FINISH SEE TABLE	PRODUCT SPEC 108-20065-1, 108-20065-2 APPLICATION SPEC 114-20016, 114-20016-1	
WEIGHT Customer Drawing		SIZE A2	CAGE CODE 0779	DRAWING NO C-282002
SCALE -		SHEET 4 OF 7		RESTRICTED TO AB2

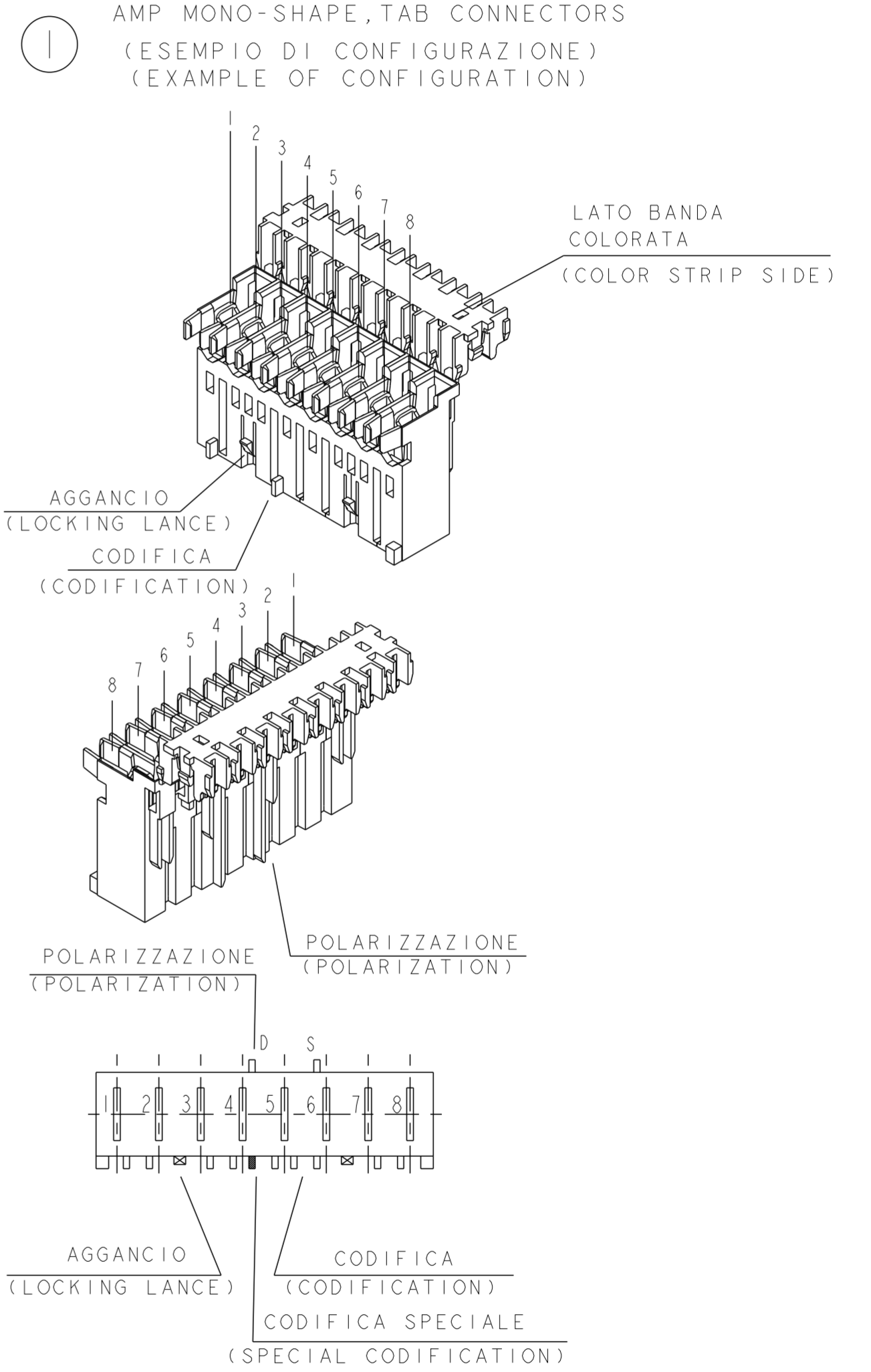
THIS DRAWING IS UNPUBLISHED. RELEASED FOR PUBLICATION
 © COPYRIGHT 2011 ALL RIGHTS RESERVED.

LOC		DIST		REVISIONS			
P	LTR	DESCRIPTION		DATE	DWN	APVD	
-	-	SEE SHEET 1					

NUMERO DI VIE	CONFIGURAZIONE (Vista connettore dall'alto)	TE PART NUMBER ASSY CONN.				POSIZIONE POLARIZ. (LATO POSTERIORE)	POSIZIONE AGGANCIO (LATO ANTERIORE)	POSIZIONE CODIFICA SPECIALE (LATO ANTERIORE)	L +0.2 -0.3 (mm)	NOTE MARCHIATURA CON BANDA COLORATA
		VERSIONE PEZZI IN VASSOIO	TRAY PACKAGING VERSION	PART REV	LOOSE PIECES PACKAGING VERSION					
10		1-282010-1	V	2-282010-1	V	6D 8S	4-5 8-9	6S	49.9	-
10		0-284004-1	V	-	-	6D 8S	4-5 8-9	6S	49.9	-

VISTE SOLO PER RIFERIMENTO
 VIEWS ONLY FOR REFERENCE

LEGENDA
 (DESCRIPTION)



THIS DRAWING IS A CONTROLLED DOCUMENT.		DWN G. ENDRIZZI 23 JUL 1995	TE Connectivity	
DIMENSIONS: mm		CHK G. TURCO 23 JUL 1995		
TOLERANCES UNLESS OTHERWISE SPECIFIED:		APVD G. TURCO 23 JUL 1995	NAME MONO-SHAPE MK1 TAB CONNECTORS 2-10 POS.	
0 PLC ±		PRODUCT SPEC 108-20065-1, 108-20065-2	SIZE CAGE CODE DRAWING NO RESTRICTED TO	
1 PLC ± > 0.3		APPLICATION SPEC 114-20016, 114-20016-1	A200779 C-282002	
2 PLC ±		WEIGHT --	SCALE - SHEET 5 OF 7 REV AB2	
3 PLC ±				
4 PLC ±				
ANGLES ±				
FINISH				
MATERIAL SEE TABLE		Customer Drawing		

THIS DRAWING IS UNPUBLISHED. RELEASED FOR PUBLICATION
 © COPYRIGHT 2011 ALL RIGHTS RESERVED.

PA GF, UL-VO GWEPT 750° C NO FLAME, NATURAL

LOC		DIST		REVISIONS			
P	LTR	DESCRIPTION	DATE	DWN	APVD		
-	-	SEE SHEET 1					

No. of POS.	CONFIGURATION ONLY FOR REF	ON TRAY		LOOSE PIECES		SEE SHEET 1 FOR ADDITIONAL DETAILS AND NOTES					
		P/N ASS'Y	PART REV.	P/N ASS'Y	PART REV.	POLARIZ. POSITION (BACK SIDE)	LOCKING POSITION (FRONT SIDE)	SPECIAL CODIFICAT. POSITION (FRONT SIDE)	L (mm)	COLOR CODE	POSSIBLE FAST POLARIZ.
2		2293382-2	AA			1S 2D	1-2	-	9.9		02-B 02-E 02-F
2		1-2293382-2	AA			1S 2D	1-2		9.9	GREEN	02-B 02-E 02-F
2		2-2293382-2	AA			1D 2D	1-2	-	9.9		
2		3-2293382-2	AA			1D 2S	1-2		9.9	BLUE	02-A
2		4-2293382-2	AA			1S 1D	1-2	-	9.9		
2		5-2293382-2	AA			1S 2D	1-2	-	9.9	GREY	02-B 02-E 02-F
2		6-2293382-2	AA			1D 2S	1-2		9.9		02-A
2		7-2293382-2	AB			2D	1-2	-	9.9	RED	02-L
3		2293382-3	AA			2S	2-3	-	14.9		
3		1-2293382-3	AA			-	1-2		14.9	VIOLET	-
3		2-2293382-3	AA			1D	1-2	-	14.9	ORANGE	03-A 03-1
3		3-2293382-3	AA			1S 1D	1-2	-	14.9		
3		4-2293382-3	AA			1D 2S 2D 3S	1-2	-	14.9		
3		5-2293382-3	AA			1S 3D	2-3	-	14.9		
3		6-2293382-3	AA			1S 1D 2S 2D	1-2	-	14.9		
3		7-2293382-3	AA			1S 3D	1-2		14.9	GREEN	03-F
3		8-2293382-3	AB			2D 3D	2-3	-	14.9		
4		2293382-4	AA			1D	1-2 3-4	2D	19.9	GREY	04-A
4		1-2293382-4	AA			1S 4D	1-2 3-4	-	19.9		
4		2-2293382-4	AA			1D 2S	1-2 3-4	-	19.9		
4		3-2293382-4	AA			1D 2S 3S 4S	1-2 3-4	-	19.9		

THIS DRAWING IS A CONTROLLED DOCUMENT.		DWN G. ENDRIZZI	23 JUL 1995			TE Connectivity	
DIMENSIONS: mm		CHK G. TURCO	23 JUL 1995				
TOLERANCES UNLESS OTHERWISE SPECIFIED:		APVD G. TURCO	23 JUL 1995	NAME		MONO-SHAPE MK1 TAB CONNECTORS 2-10 POS.	
0 PLC ±0.3 1 PLC ±0.3 2 PLC ±0.3 3 PLC ±0.3 4 PLC ±0.3 ANGLES ±		PRODUCT SPEC 108-20065-1, 108-20065-2		SIZE		RESTRICTED TO	
MATERIAL SEE TABLE		FINISH SEE TABLE		APPLICATION SPEC 114-20016, 114-20016-1		DRAWING NO A200779C-282002	
Customer Drawing		WEIGHT --		SCALE -		SHEET 6 OF 7	

THIS DRAWING IS UNPUBLISHED. RELEASED FOR PUBLICATION
 © COPYRIGHT 2011 ALL RIGHTS RESERVED.

LOC		DIST		REVISIONS			
P	LTR	DESCRIPTION	DATE	DWN	APVD		
		SEE SHEET 1					

PA GF, UL-V0 GWEPT 750° C NO FLAME, NATURAL

No. of POS.	CONFIGURATION ONLY FOR REF	ON TRAY		LOOSE PIECES		SEE SHEET 1 FOR ADDITIONAL DETAILS AND NOTES					
		P/N ASS'Y	PART REV.	P/N ASS'Y	PART REV.	POLARIZ. POSITION (BACK SIDE)	LOCKING POSITION (FRONT SIDE)	SPECIAL CODIFICAT. POSITION (FRONT SIDE)	L (mm)	COLOR CODE	POSSIBLE RAST 5 POLARIZ.
4		4-2293382-4	AA			1D	1-2 3-4	-	19.9		
4		5-2293382-4	AB			3D	2-3	-	19.9	BLACK	04-D
5		2293382-5	AA			-	4-5	-	24.9		
5		1-2293382-5	AA			-	3-4	3S	24.9		
5		2-2293382-5	AA			1S 2D 4D 5D	1-2 4-5	-	24.9		
	6	2293382-6	I			TBD	TBD	TBD	29.9		
	7	2293382-7	I			-	1-2 5-6	-	34.9		
	7	2-2293382-7	I			1S 2S 2D 3S 3D 4D 5S 6S 6D 7S 7D	1-2 5-6		34.9		
	8	2293382-8	I			TBD	TBD	TBD	39.9		
	9	2293382-9	I			TBD	TBD	TBD	44.9		
	10	1-2293382-0	I			6D 8S	4-5 8-9	6S	49.9		

THIS DRAWING IS A CONTROLLED DOCUMENT.		DWN G. ENDRIZZI 23 JUL 1995	TE Connectivity NAME MONO-SHAPE MK1 TAB CONNECTORS 2-10 POS.	
DIMENSIONS: mm		CHK G. TURCO 23 JUL 1995		
TOLERANCES UNLESS OTHERWISE SPECIFIED:		APVD G. TURCO 23 JUL 1995	PRODUCT SPEC 108-20065-1, 108-20065-2	
0 PLC ± 1 PLC ± 2 PLC ± 3 PLC ± 4 PLC ± ANGLES ± FINISH ±		APPLICATION SPEC 114-20016, 114-20016-1		RESTRICTED TO -
MATERIAL SEE TABLE	FINISH SEE TABLE	WEIGHT -	Customer Drawing	SCALE - SHEET 7 OF 7 REV AB2

X-ON Electronics

Largest Supplier of Electrical and Electronic Components

Click to view similar products for [Headers & Wire Housings](#) category:

Click to view products by [TE Connectivity](#) manufacturer:

Other Similar products are found below :

[892-18-020-10-001101](#) [58102-G61-06LF](#) [582553-1](#) [0009485154](#) [009176003701906](#) [0050291907](#) [LY20-4P-DT1-P1E-BR](#) [02.125.8002.8](#)
[609-3404](#) [61062-3](#) [61082-181009](#) [622-3653LF](#) [63453-116](#) [636-1030](#) [636-1427](#) [636-3427](#) [636-4007](#) [641938-9](#) [641991-4](#) [644827-2](#) [65817-010LF](#) [65817-015LF](#) [65863-015LF](#) [66207-023LF](#) [67095-007LF](#) [67601157](#) [68645-018](#) [68648-049](#) [70.362.1628.0](#) [70-4210](#) [70-4226B](#) [70-4853B](#) [707-5020](#) [707-5028](#) [71.350.2428.0](#) [71918-208LF](#) [71961-016LF](#) [733-134](#) [733-162](#) [754199-000](#) [760-3052](#) [787-8014-00](#) [79531-3000](#)
[FCN-360C032-B](#) [FCN-367T-T012/H](#) [FCN-723D010/2](#) [80.063.4001.1](#) [800-90-001-10-001000](#) [800-90-010-10-002000](#) [801-43-002-10-013000](#)