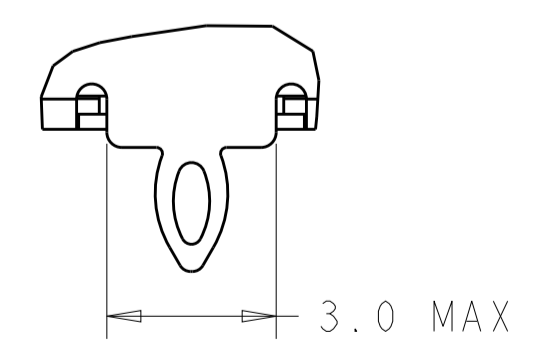
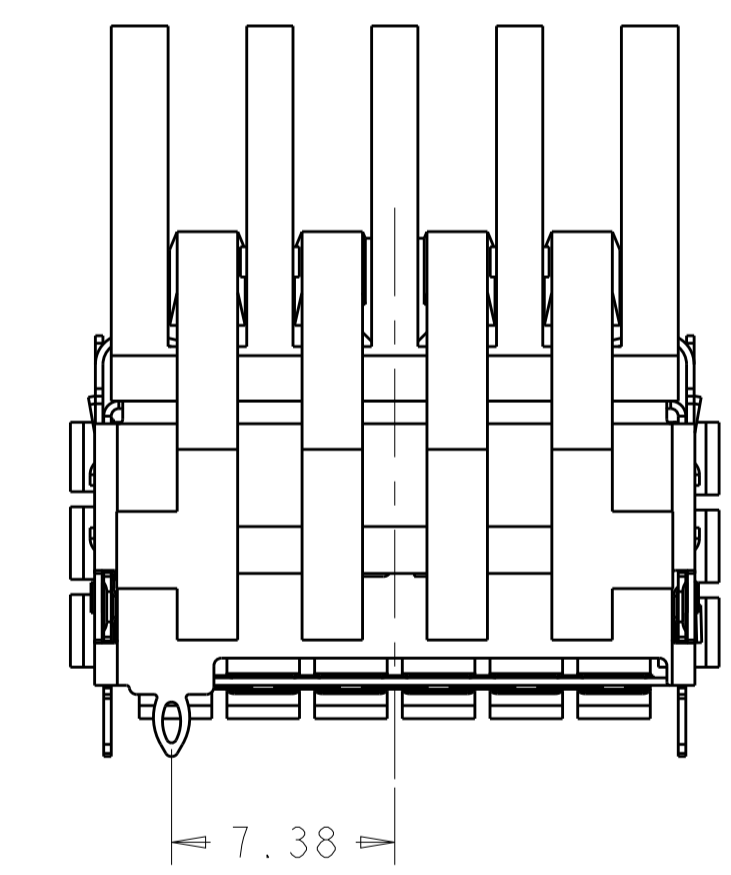
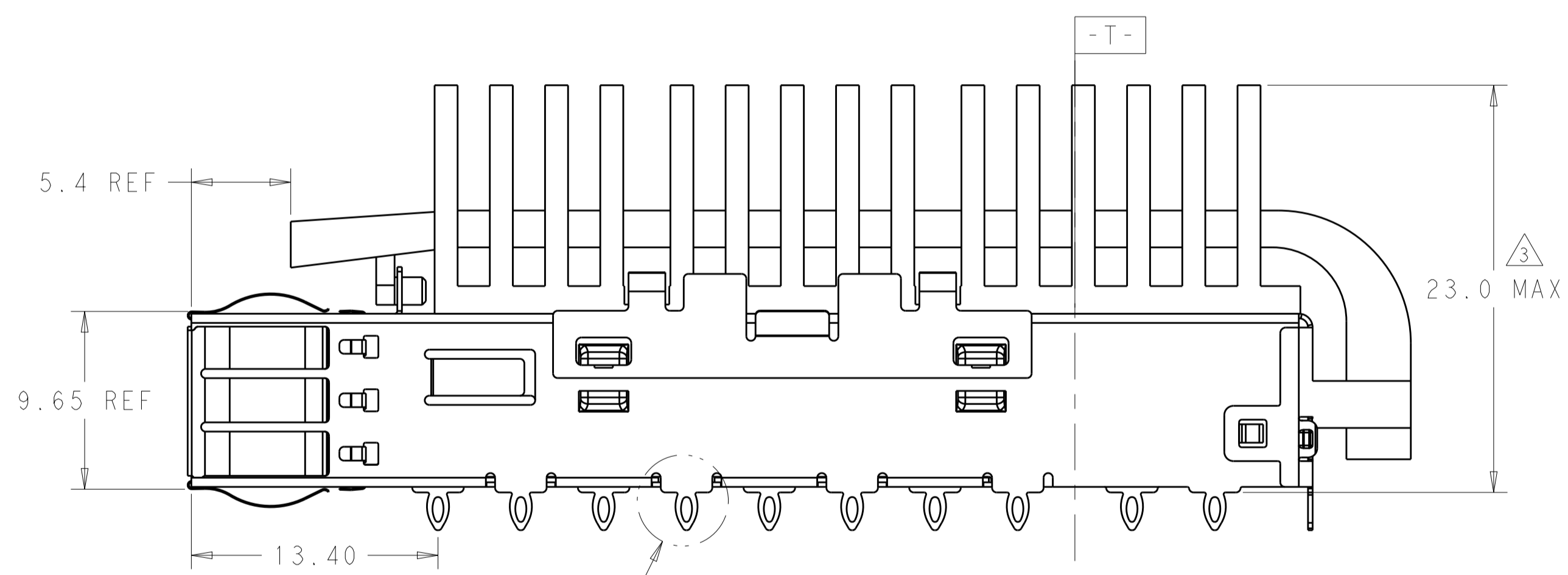
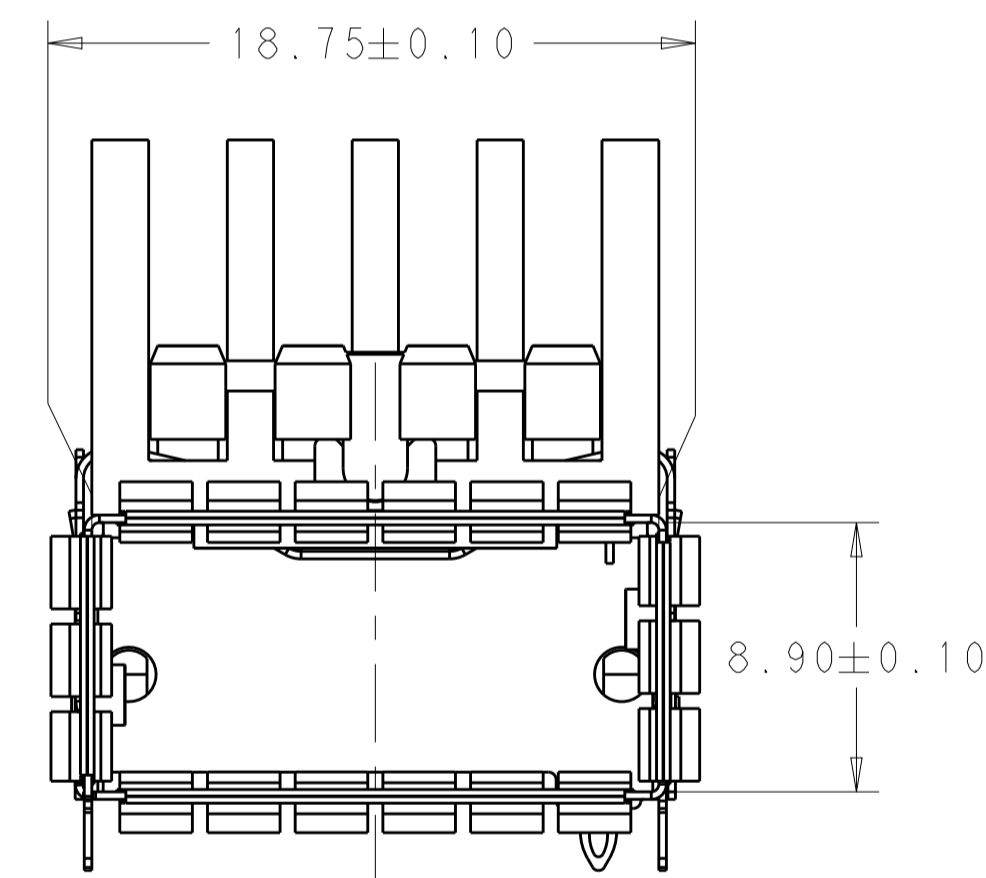
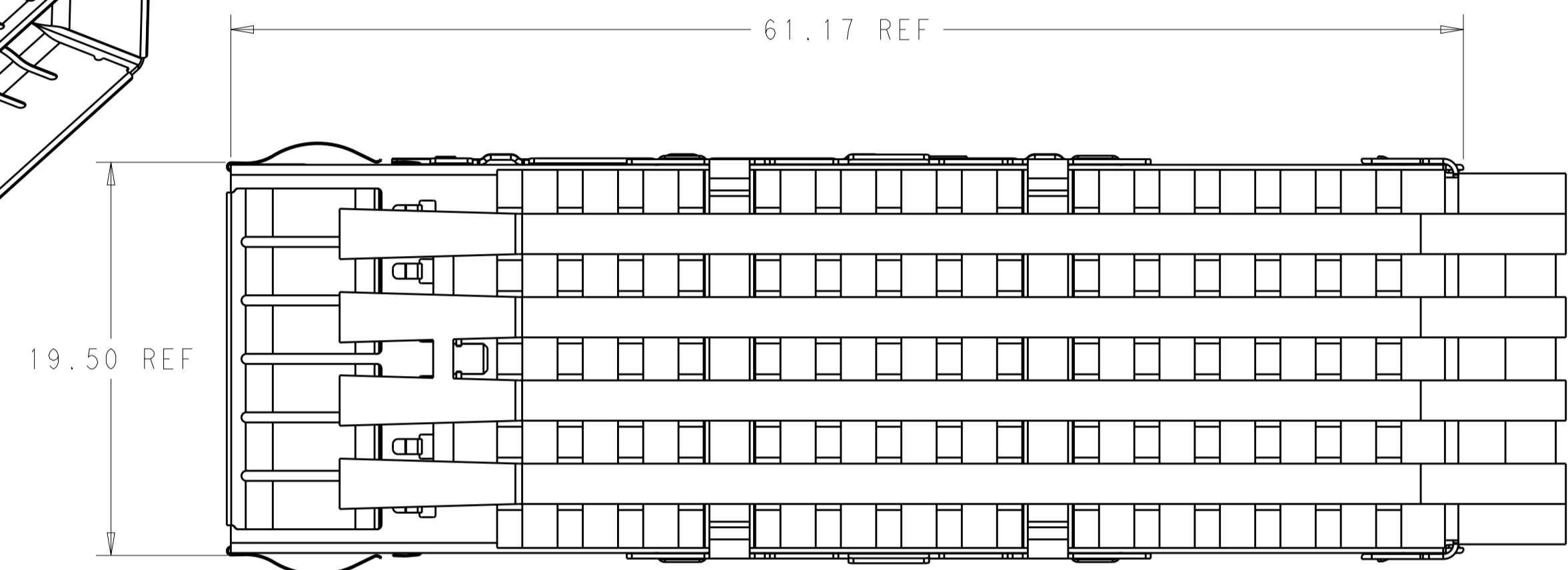
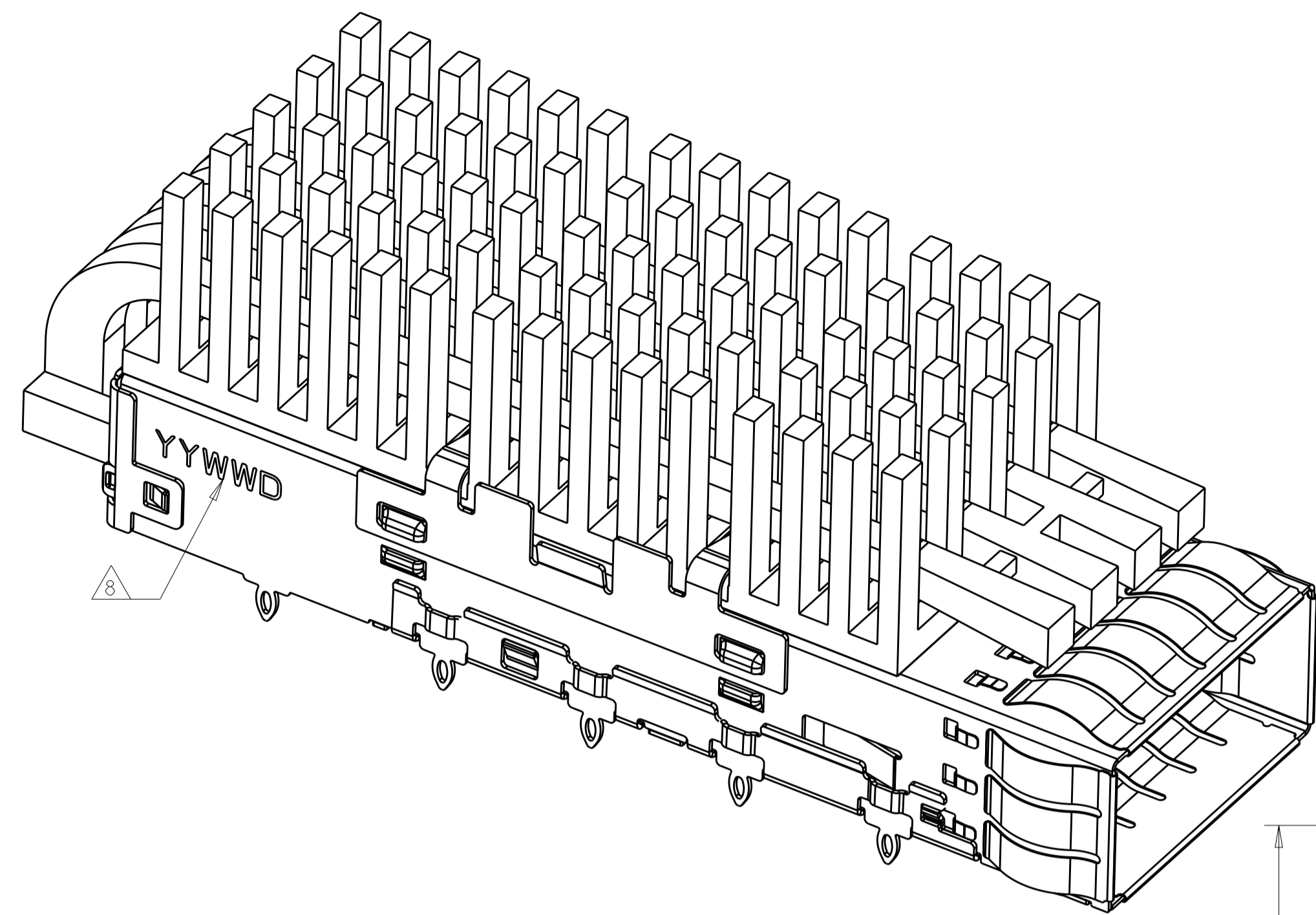
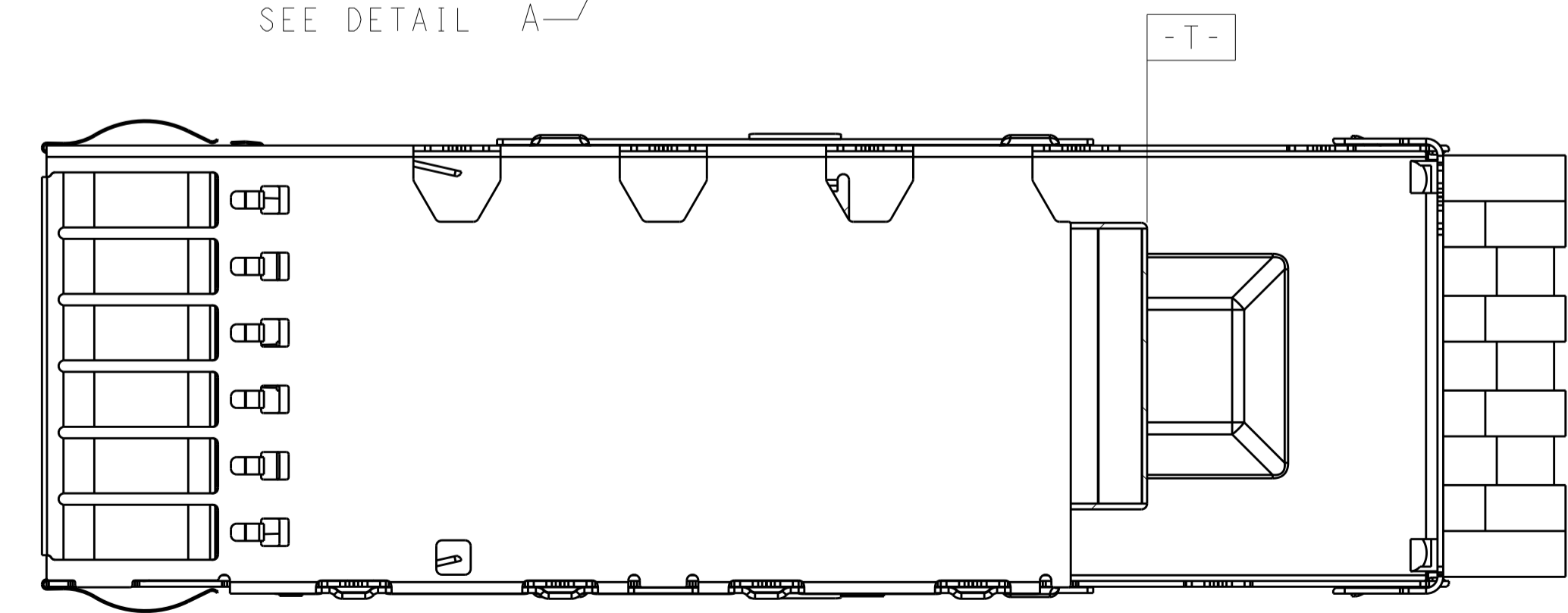


LOC	DIST	REV	DATE	BY	CHK	APPV
-	-	A	01NOV2016	JY	SH	



DETAIL A
SCALE 8:1



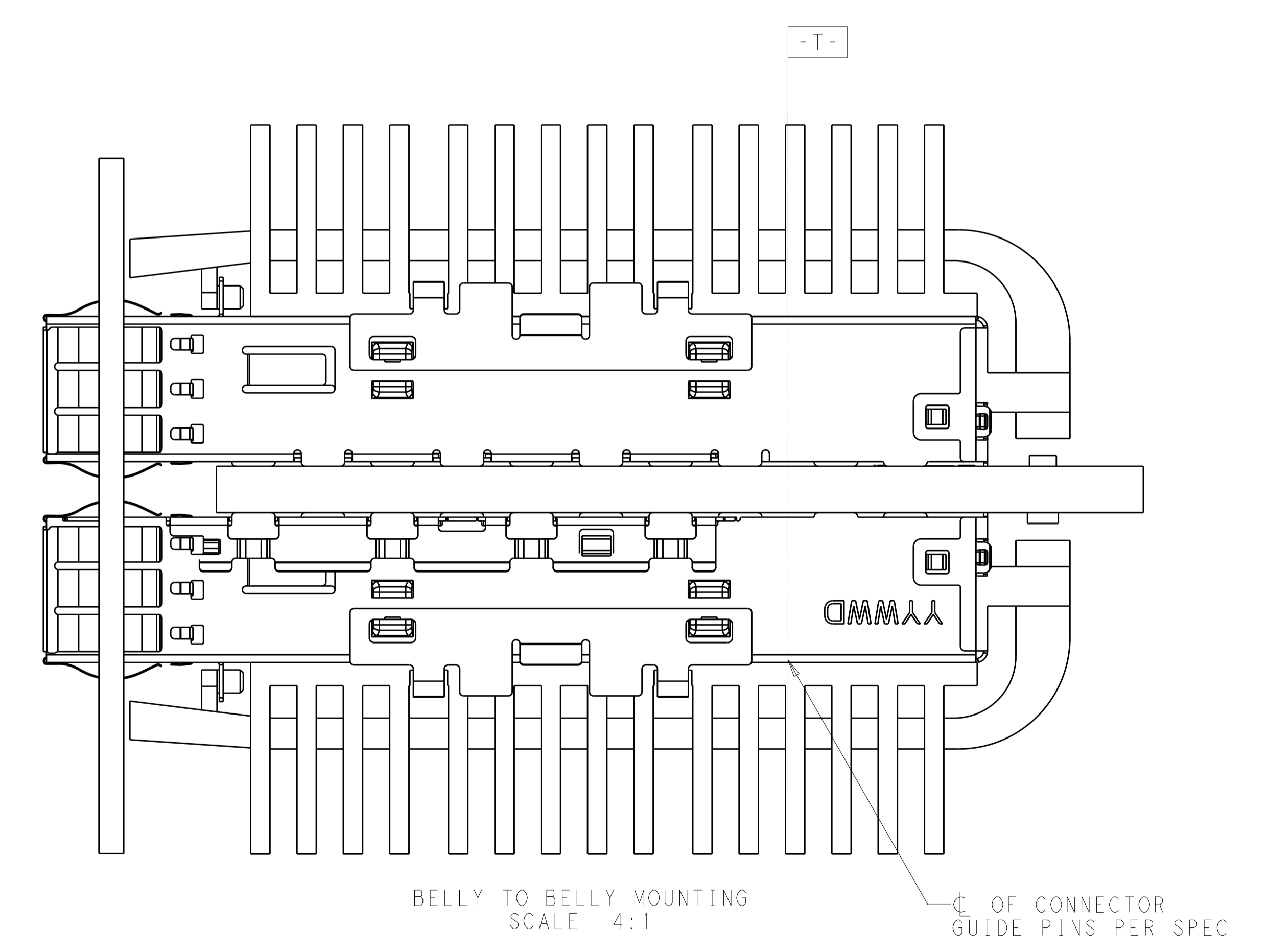
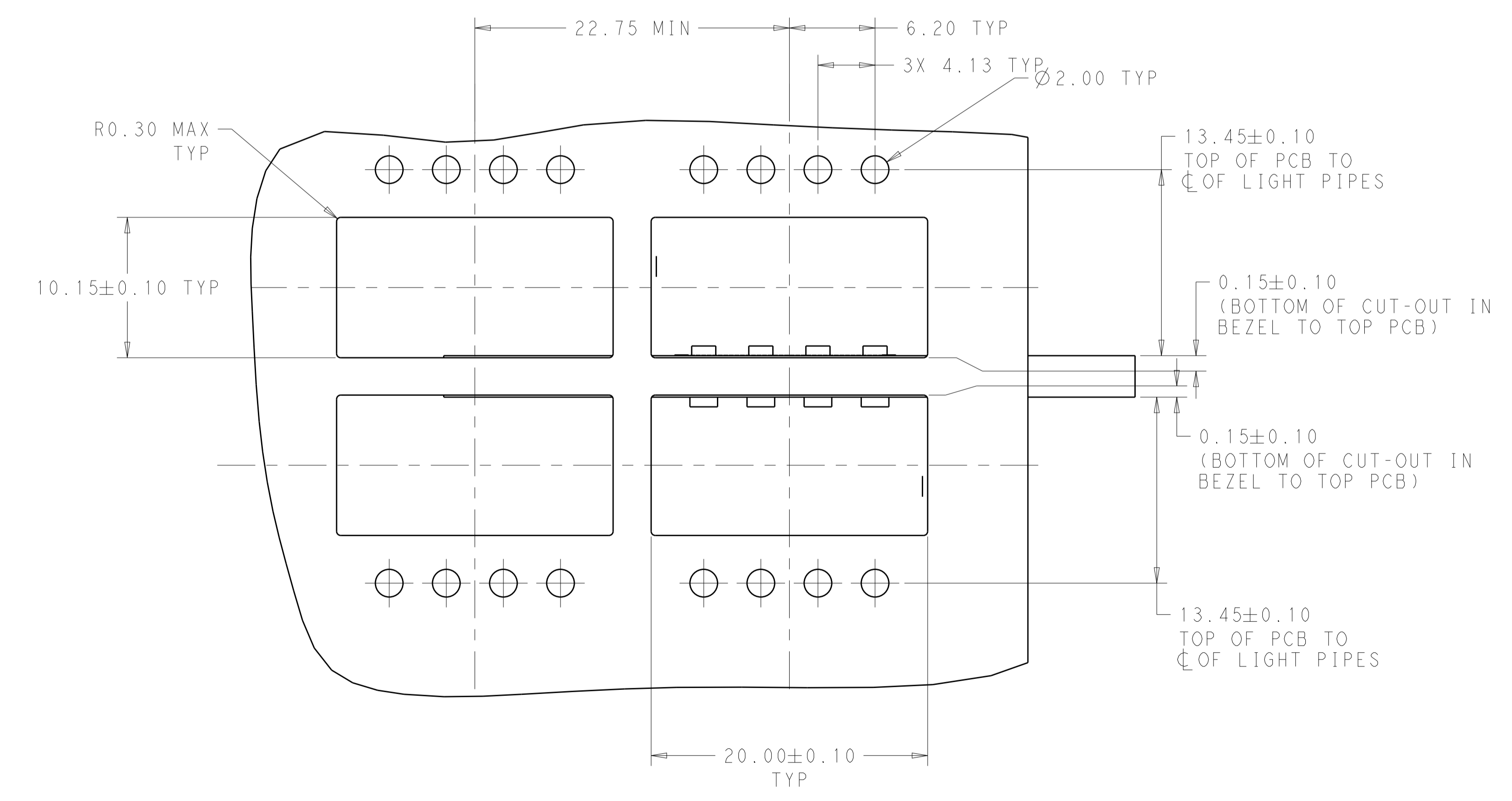
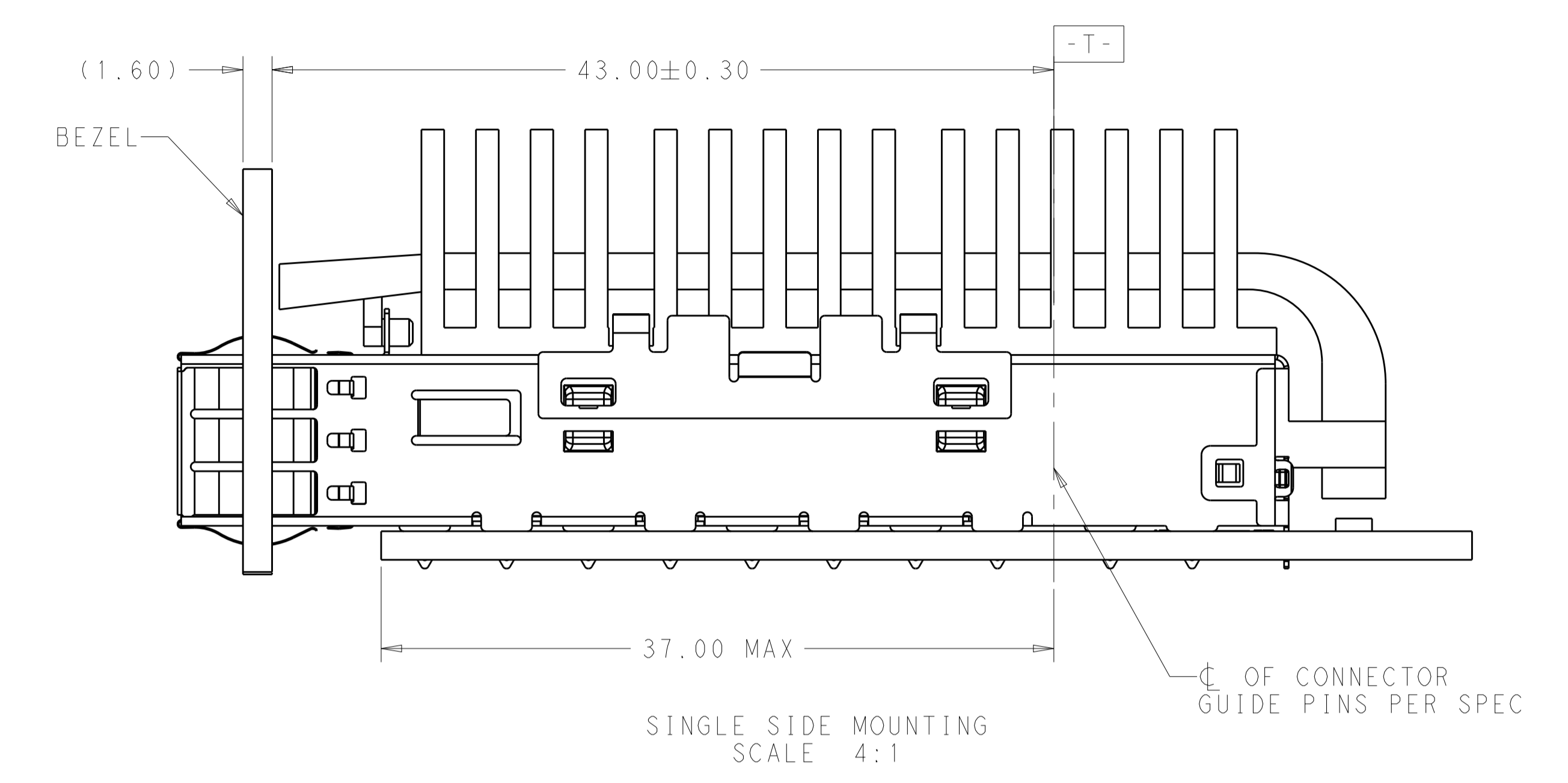
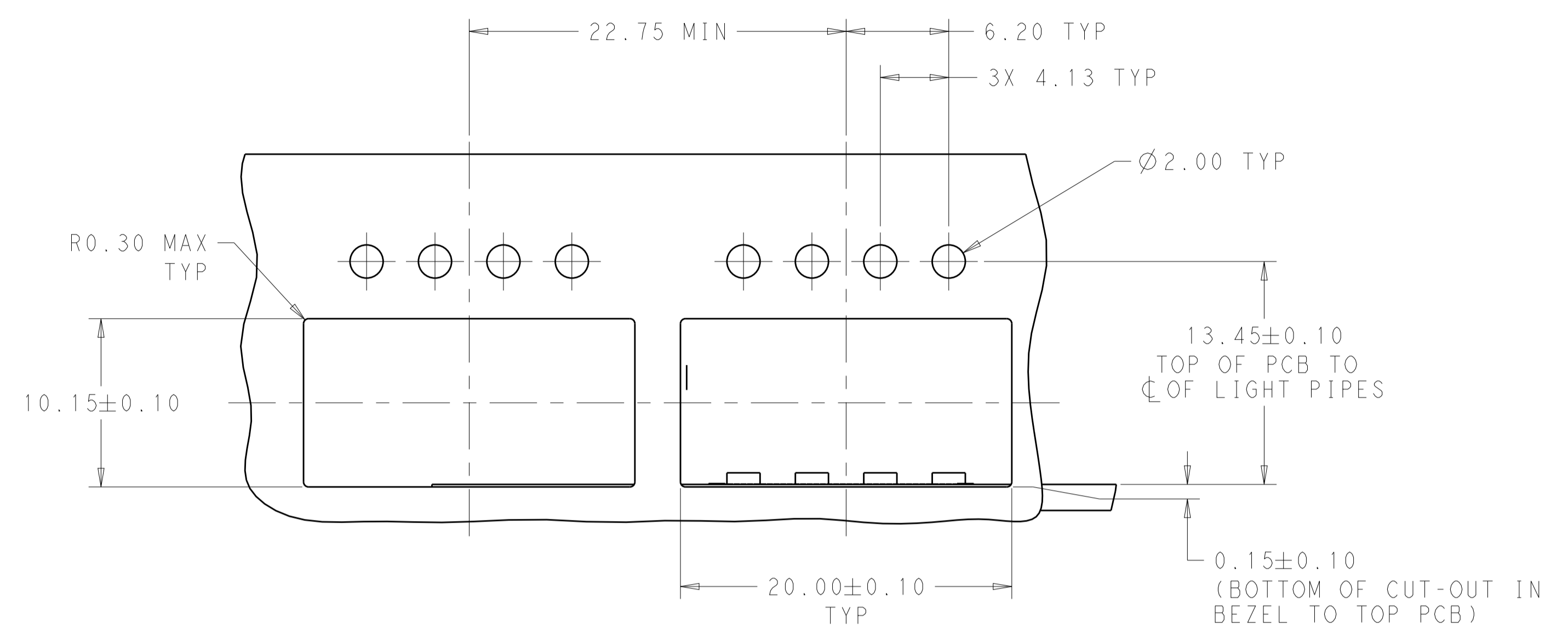
- MATERIAL:
 CAGE MATERIAL : 0.25 THICK NICKEL SILVER.
 SPRING MATERIAL : COPPER ALLOY
 HEAT SINK MATERIAL : ALUMINUM
 CLIP MATERIAL : STAINLESS STEEL
 LIGHT PIPE MATERIAL : POLYCARBONATE WITH 94 V-0
- FINISH:
 SPRING : NICKEL PLATING
 HEAT SINK : BLACK ANODIZE
- DIMENSION APPLIES WITH MODULE INSTALLED IN THE CAGE TO TOP OF HEAT SINK.
- REFERENCE APPLICATION SPEC 114-32023 FOR RECOMMENDED DRILL HOLE DIAMETER AND PLATING THICKNESS.
- DATUM AND BASIC DIMENSIONS ESTABLISHED BY CUSTOMERS.
- MINIMUM PC BOARD THICKNESS :
 SINGLE SIDED : 1.57 MIN
 DOUBLE SIDED : 2.20 MIN
- DATUM -A- IS TOP SURFACE OF THE HOST BOARD.
- DATE CODE (YYWW) MARKED APPROXIMATELY AS SHOWN
- MATES WITH QSFP28 MSA COMPATIBLE TRANSCEIVER.

NET WORKING	2293574-1
APPLICATION (HEAT SINK OPTION)	PART NUMBER

THIS DRAWING IS A CONTROLLED DOCUMENT.		OWN: JASON YANG 09JUN2015	TE Connectivity
DIMENSIONS: mm		CHK: SEAN HAN 09JUN2015	
TOLERANCES UNLESS OTHERWISE SPECIFIED:		APV: MARSHALL CHEN 09JUN2015	NAME: CAGE ASSEMBLY, QSFP28, THRU BEZEL WITH EMI SPRING FINGER HEAT SINK, LIGHT PIPE SIZE: A1 CAGE CODE: 00779 DRAWING NO: C=2293574
0 PLC ±0.25 1 PLC ±0.25 2 PLC ±0.25 3 PLC ±0.100 4 PLC ± ANGLES ±°		PRODUCT SPEC: 108-19428 APPLICATION SPEC: 114-32023 WEIGHT: - FINISH: -	
MATERIAL: -		CUSTOMER DRAWING	RESTRICTED TO: -
		SCALE: 2:1	SHEET 1 OF 4 REV A

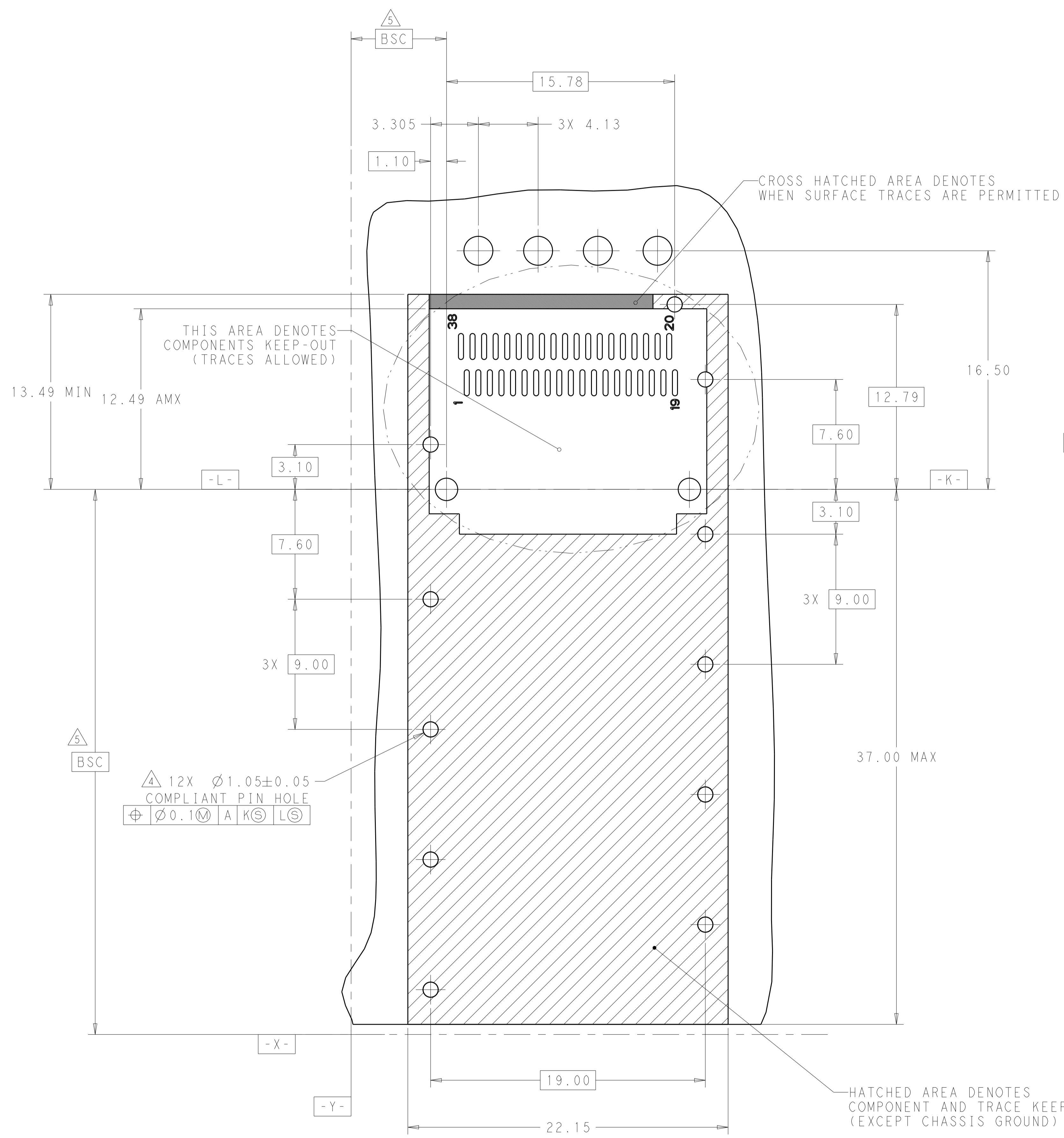
LOC	DIST	REV	DATE	BY	APPV
		1			

REVISIONS		DATE	BY	APPV
P	LTN			
-	SEE SHEET 1	-	-	-

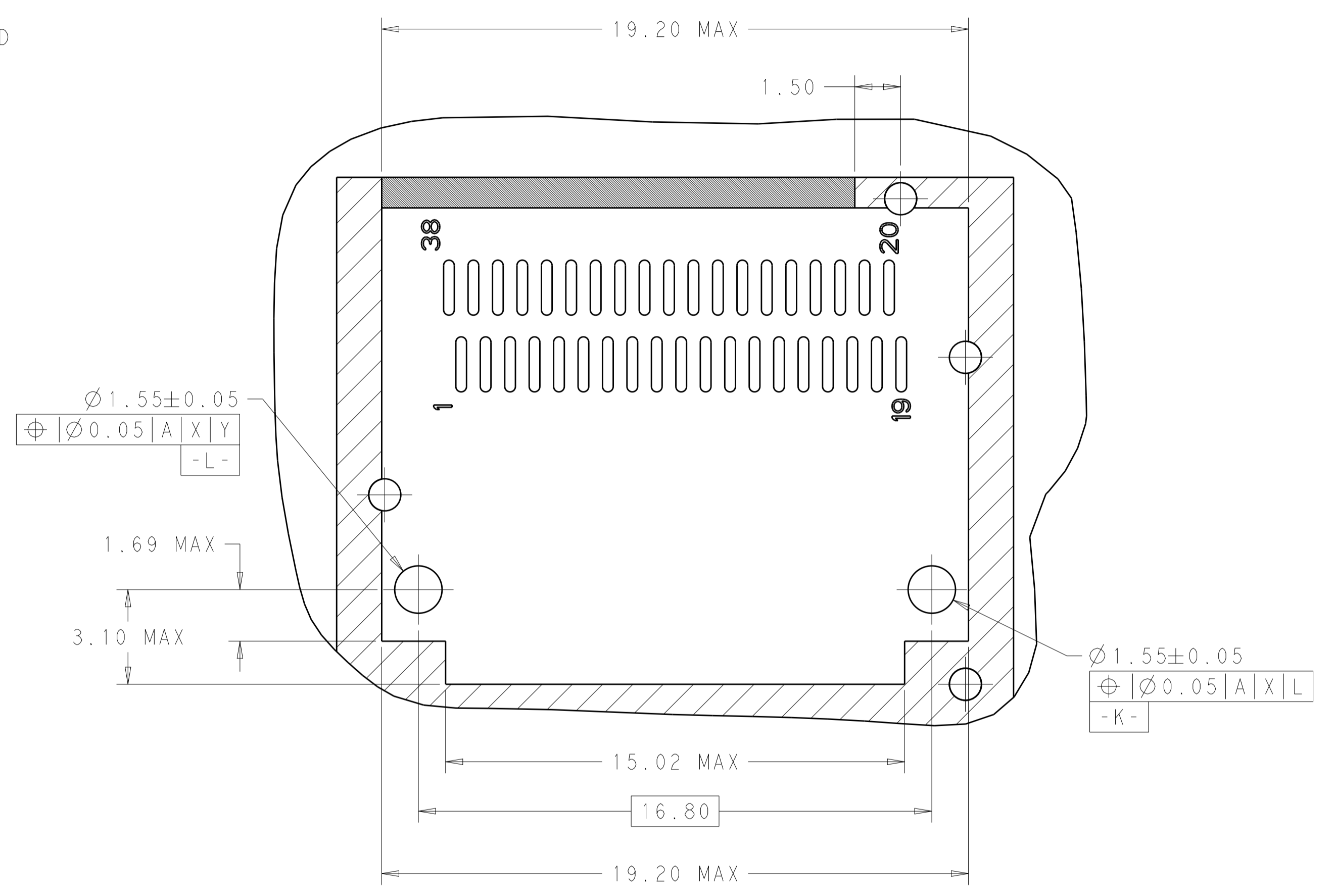


THIS DRAWING IS A CONTROLLED DOCUMENT.		OWN: JASON YANG 09JUN2015	TE Connectivity
DIMENSIONS: mm		CHK: SEAN HAN 09JUN2015	
TOLERANCES UNLESS OTHERWISE SPECIFIED:		APV: MARSHALL CHEN 09JUN2015	NAME: CAGE ASSEMBLY, QSFP28, THRU BEZEL WITH EMI SPRING FINGER HEAT SINK, LIGHT PIPE
0 PLC	±0.25	PRODUCT SPEC	108-19428
1 PLC	±0.25	APPLICATION SPEC	114-32023
2 PLC	±0.20	SIZE: CAGE CODE DRAWING NO	A100779
3 PLC	±0.100	WEIGHT	C=2293574
4 PLC	±	CUSTOMER DRAWING	SCALE 2:1 SHEET 2 OF 4 REV A
ANGLES	±		
FINISH			

LOC	DIST	REV	DATE	BY	APPV
-	-	SEE SHEET 1	-	-	-



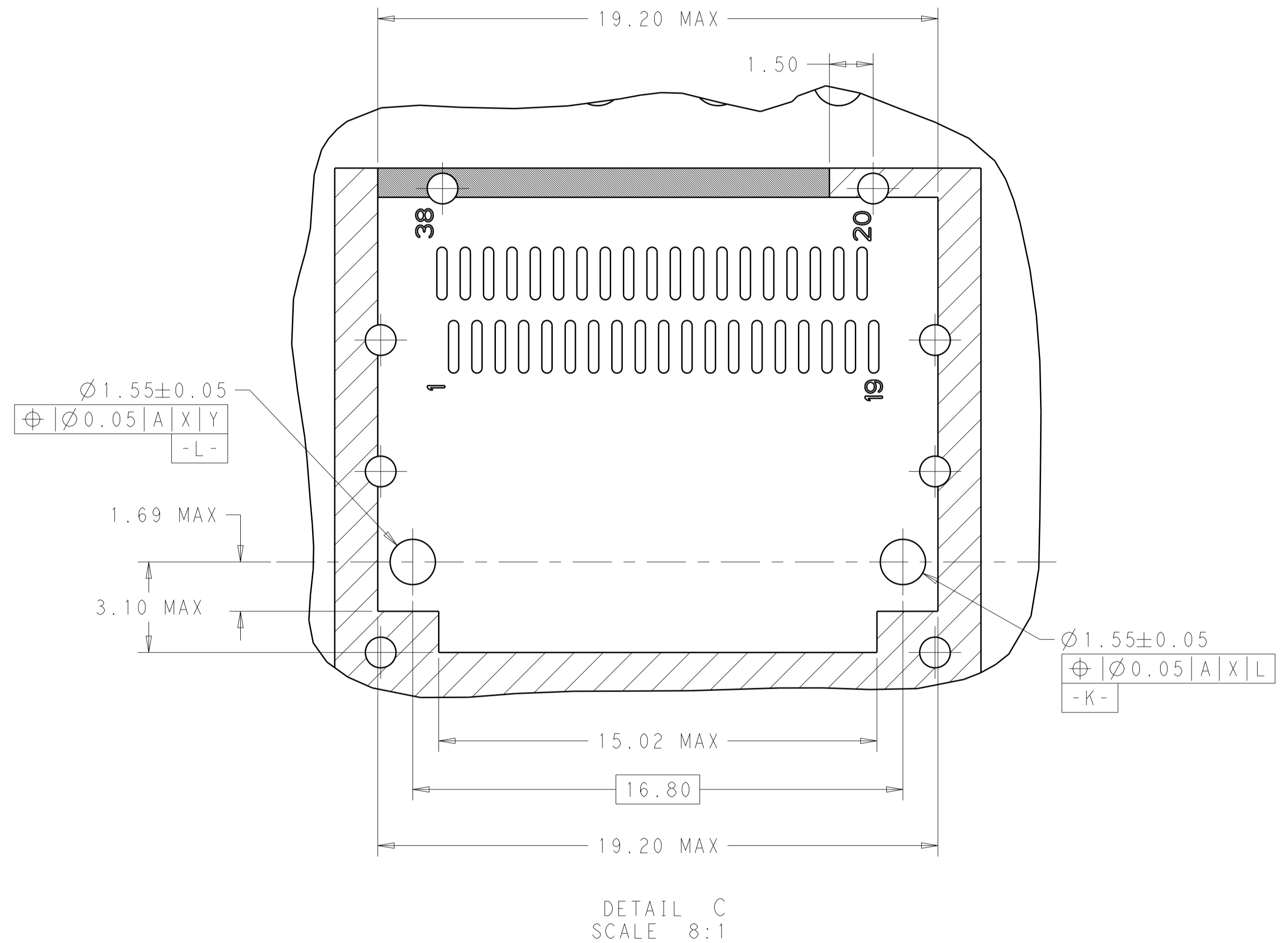
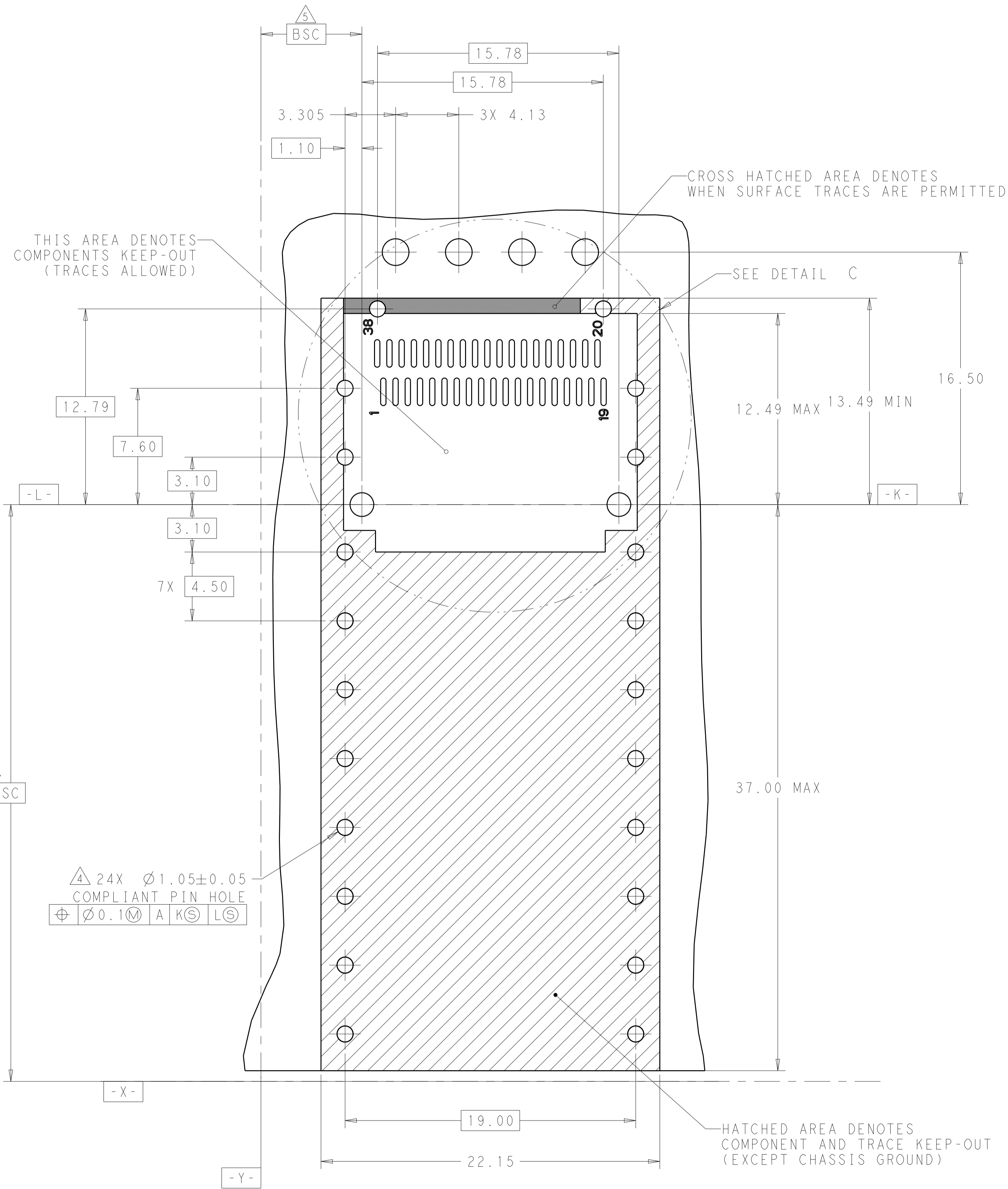
RECOMMENDED PCB LAYOUT
 SINGLE TYPE OF 2 REAR HOLES OF LEGS
 PCB TOLERANCE: ±0.05
 SCALE 6:1



DETAIL B
 SCALE 8:1

THIS DRAWING IS A CONTROLLED DOCUMENT.		DWN: JASON YANG 09JUN2015	TE Connectivity
DIMENSIONS: mm		CHK: SEAN HAN 09JUN2015	
TOLERANCES UNLESS OTHERWISE SPECIFIED:		APV: MARSHALL CHEN 09JUN2015	NAME: CAGE ASSEMBLY, QSPF28, THRU BEZEL WITH EMI SPRING FINGER HEAT SINK, LIGHT PIPE
0 PLC ±0.25	1 PLC ±0.25	PRODUCT SPEC: 108-19428	SIZE: A100779
2 PLC ±0.20	3 PLC ±0.100	APPLICATION SPEC: 114-32023	CAGE CODE: C=2293574
4 PLC ±0.100	ANGLES ±°	WEIGHT: -	RESTRICTED TO: -
MATERIAL: -	FINISH: -	CUSTOMER DRAWING	SCALE: 2:1 SHEET 3 OF 4 REV A

LOC		DIST		REVISIONS			
P	LTR	DESCRIPTION	DATE	OWN	APVD		
-	-	SEE SHEET 1	-	-	-		



THIS DRAWING IS A CONTROLLED DOCUMENT.		OWN: JASON YANG 09JUN2015	 TE Connectivity
DIMENSIONS: mm		CHK: SEAN HAN 09JUN2015	
TOLERANCES UNLESS OTHERWISE SPECIFIED:		APVD: MARSHALL CHEN 09JUN2015	NAME: CAGE ASSEMBLY, QSPF28, THRU BEZEL WITH EMI SPRING FINGER HEAT SINK, LIGHT PIPE
0 PLC	±0.25	PRODUCT SPEC	SIZE: CAGE CODE DRAWING NO
1 PLC	±0.25	108-19428	RESTRICTED TO
2 PLC	±0.20	APPLICATION SPEC	A100779C=2293574
3 PLC	±0.100	114-32023	SCALE 2:1 SHEET 4 OF 4 REV A
4 PLC	±	WEIGHT	
ANGLES	±	CUSTOMER DRAWING	
MATERIAL			
FINISH			

X-ON Electronics

Largest Supplier of Electrical and Electronic Components

Click to view similar products for [I/O Connectors](#) category:

Click to view products by [TE Connectivity](#) manufacturer:

Other Similar products are found below :

[571763P](#) [58098-0628](#) [72.250.1628.2](#) [72.250.2428.2](#) [74720-0505](#) [76.350.0729.0](#) [76871-1403](#) [FCN-244F080-G/1](#) [FCN-260A9920](#) [PCR-E36PM](#) [PCS-XE26MA+](#) [G38A71314B](#) [1571250010](#) [157-22500-3](#) [MS3471L14-19P L/C](#) [172501-4002](#) [172501-6002](#) [FCN-260C008-A/L0](#) [FCN-260C024-AL0](#) [FCN-261Z008](#) [2000314-1](#) [200331-1](#) [PCR-E36FC+](#) [PCS-E28FS+](#) [PCS-XE26SLFD+](#) [PCS-XE26SLFDT+](#) [G730VID08BDC24](#) [U90B2054081210](#) [38113800006](#) [DP3AR020WQ1R200](#) [Z4.102.0680.0](#) [500-1040](#) [500-1052](#) [500-1054](#) [ZP-4008-66L](#) [0709821002](#) [DX40-20P\(55\)](#) [5554841-1](#) [MS3474W18-8P-LC*](#) [U90B3054061110](#) [U65-E04-4020](#) [ZPF000000000097891](#) [747360449](#) [10099439-003C-TRLF](#) [10137239-0021LF](#) [E9320-001-01](#) [10137239-0011LF](#) [70289-001LF](#) [70.060.1028.0](#) [109029-ZZ](#)