

4

3

2

1

THIS DRAWING IS UNPUBLISHED.

RELEASED FOR PUBLICATION

2016

LOC

DIST

REVISIONS

© COPYRIGHT 2016 BY Tyco Electronics Japan G.K. ALL RIGHTS RESERVED.

J

-

P	LTR	DESCRIPTION	DATE	DWN	APVD
	A	RELEASED	17OCT2016	RN	MS
	AI	REVISED	14MAY2019	SH	TK
	B	REVISED	28JUL2020	SH	TK

TABLE - I

PAPER BOX 段ボール	PLASTIC BAG ビニール袋	1.7g	E	BLUE	2293641-5
PAPER BOX 段ボール	PLASTIC BAG ビニール袋	1.7g	D	BROWN	2293641-4
PAPER BOX 段ボール	PLASTIC BAG ビニール袋	1.8g	C	NATURAL	2293641-3
PAPER BOX 段ボール	PLASTIC BAG ビニール袋	1.8g	A	BLACK	2293641-1
OUTER 外装	INNER 内装	WEIGHT	KEY TYPE	COLOR	PART NO.
PACKING 梱包形態					

①. SEE TABLE - I ABOUT KEY TYPES

②. THIS PART MUST BE CHOSEN ACCORDING TO KEY TYPE OF CAP.  
SEE 408-78138 ABOUT KEY COMBINATION③. THIS PART IS A COMPONENT OF PLUG CONNECTOR,  
SEE 114-5542 ABOUT NECESSARY COMPONENTS AND ASSEMBLING

①. キータイプはTABLE - Iを参照

②. 本品はCAPのキータイプに応じて選ぶこと  
詳細は408-78138を参照③. 本品はプラグのコンポーネントで、  
プラグに必要なコンポーネントおよびプラグ組立方法については114-5542を参照

THIS DRAWING IS A CONTROLLED DOCUMENT.

DWN 17OCT2016

R. NAGAI

CHK 17OCT2016

T. YAMAMOTO

APVD 17OCT2016

M. SHIMAOKA

PRODUCT SPEC

108-140085

APPLICATION SPEC

114-5542

WEIGHT SEE TABLE

CUSTOMER DRAWING

TE

TE Connectivity

NAME

PLUG HOUSING BODY  
0.50 HSL CONNECTOR

SIZE

CAGE CODE

DRAWING NO

番号

RESTRICTED TO

A3

00779

C-2293641

SCALE

尺度

4:1

SHEET

1

OF

2

REV

B

DIMENSIONS:

単位: 概

mm

TOLERANCES UNLESS

OTHERWISE SPECIFIED:

一般公差 ±0.3

0 PLC ±

1 PLC ±0.5

2 PLC ±0.13

3 PLC ±0.013

4 PLC ±0.001

ANGLES ±3'00"

MATERIAL

材料

PBT

FINISH

仕上

1470-19 (3/11)

4

3

2

1

THIS DRAWING IS UNPUBLISHED.

RELEASED FOR PUBLICATION

2016

© COPYRIGHT 2016

BY Tyco Electronics Japan G.K.

ALL RIGHTS RESERVED.

LOC

DIST

REVISIONS

変更

P

LTR

DESCRIPTION

DATE

DWN

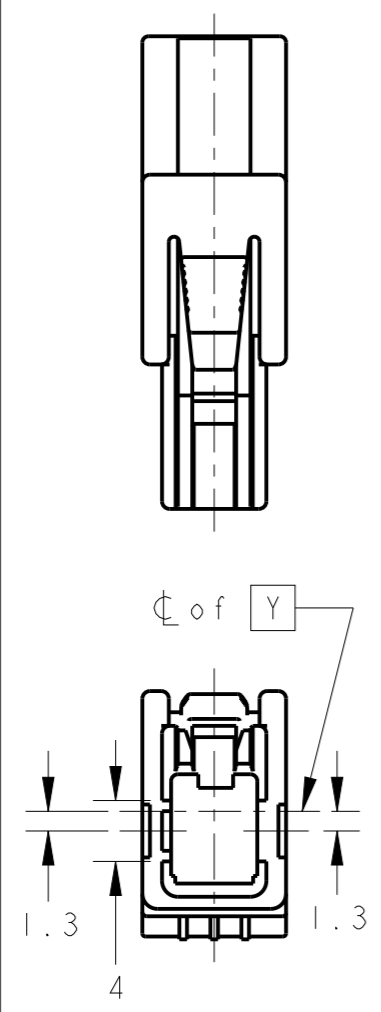
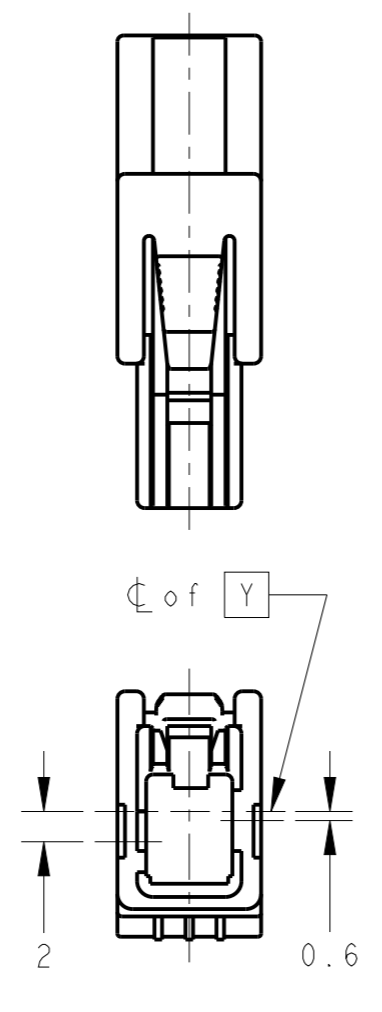
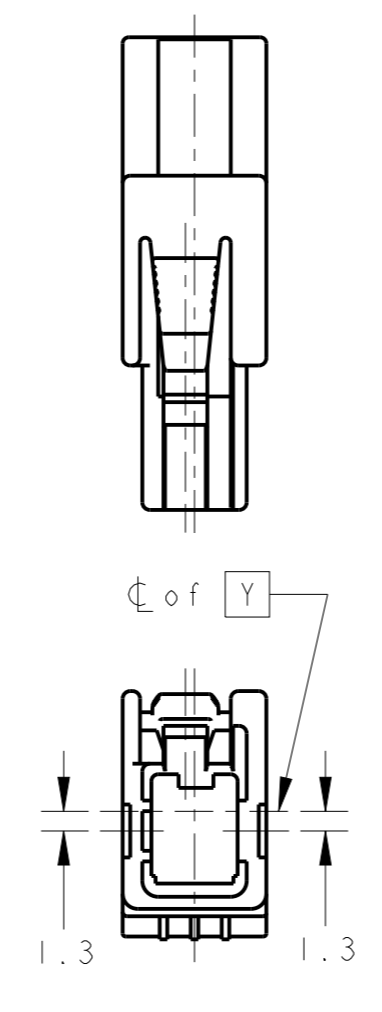
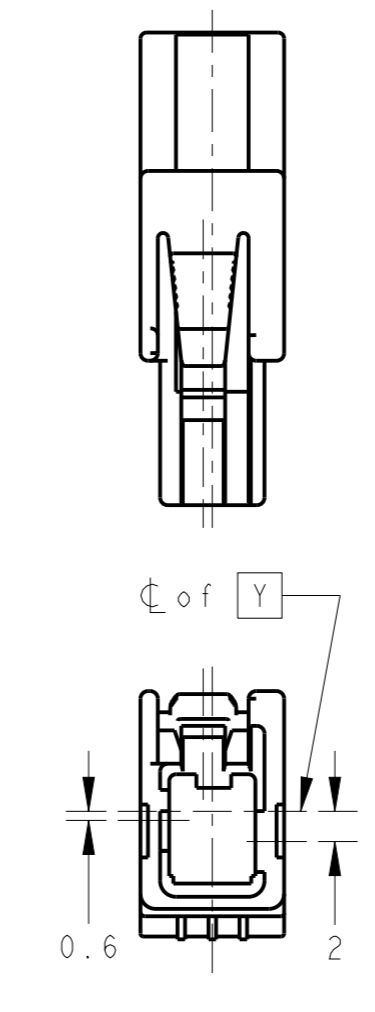
APVD

J

-

SEE SHEET 1

TABLE-1

PART NO.	2293641-1	2293641-3	2293641-4	2293641-5
KEY TYPE	A	C	D	E
PRODUCT FORM				

THIS DRAWING IS A CONTROLLED DOCUMENT.

DWN R. NAGAI 17OCT2016

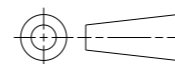
CHK T. YAMAMOTO 17OCT2016

APVD M. SHIMAOKA 17OCT2016

PRODUCT SPEC  
製品規格  
SEE SHEET 1APPLICATION SPEC  
取付適用規格  
SEE SHEET 1

WEIGHT SEE SHEET 1

CUSTOMER DRAWING

DIMENSIONS:  
単位: 概  
mm

TOLERANCES UNLESS  
OTHERWISE SPECIFIED:

一般公差	±0.3
0 PLC	±
1 PLC	±0.5
2 PLC	±0.13
3 PLC	±0.013
4 PLC	±0.001
ANGLES	±3.00'

MATERIAL  
材料  
SEE SHEET 1FINISH  
仕上  
SEE SHEET 1


TE Connectivity

NAME  
名称PLUG HOUSING BODY  
0.50 HSL CONNECTOR

SIZE

CAGE CODE

DRAWING NO  
番号

RESTRICTED TO

A3

00779

C=2293641

-

SCALE  
尺度 2:1

SHEET 2 OF 2

REV B

1470-19 (3/11)

## X-ON Electronics

Largest Supplier of Electrical and Electronic Components

*Click to view similar products for [Automotive Connectors](#) category:*

*Click to view products by [TE Connectivity](#) manufacturer:*

Other Similar products are found below :

[003-018-000](#) [60993906-B](#) [72.330.1035.1](#) [F358300-B](#) [F407400](#) [776880-1](#) [827153-1](#) [8N1515-32-24P](#) [9-1326729-8](#) [925474-1](#) [928905-1](#)  
[964562-4](#) [968782-1](#) [98891-1012](#) [12004475-L](#) [12041318-B](#) [12052466](#) [12015909](#) [1-21030-1](#) [12041318](#) [12047957](#) [12185550](#) [12336-12](#)  
[12147304](#) [1-326211-1](#) [13681974](#) [13783086](#) [13832576](#) [13542772](#) [13675513](#) [1428188-1](#) [1437287-3](#) [1428188-2](#) [DS07-19S-5020](#) [1456983-5](#)  
[1456987-7](#) [APD-7CP-H](#) [APK-SB25A10L](#) [1452931-2](#) [15336198](#) [15491972](#) [15305306](#) [15396680](#) [15425613](#) [15518544](#) [15522351](#) [1719636-1](#)  
[172190-2](#) [172190-5](#) [192900-0402](#)