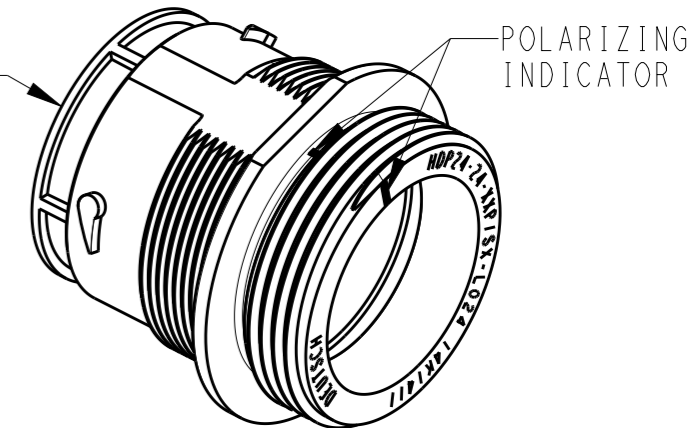
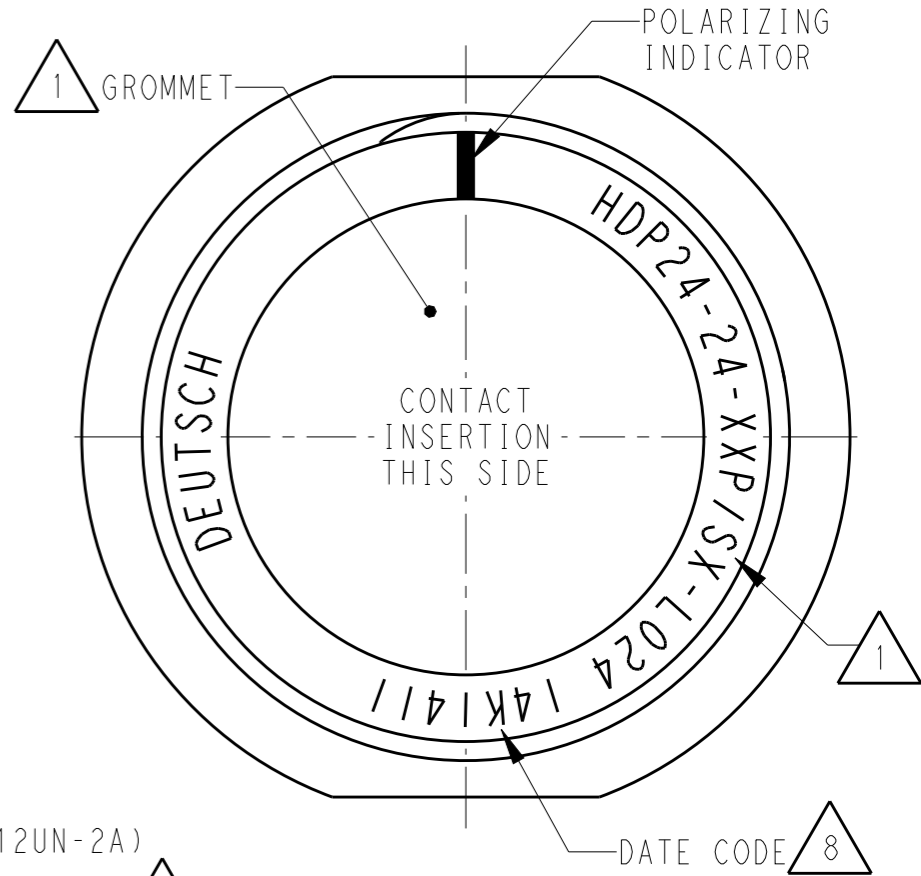
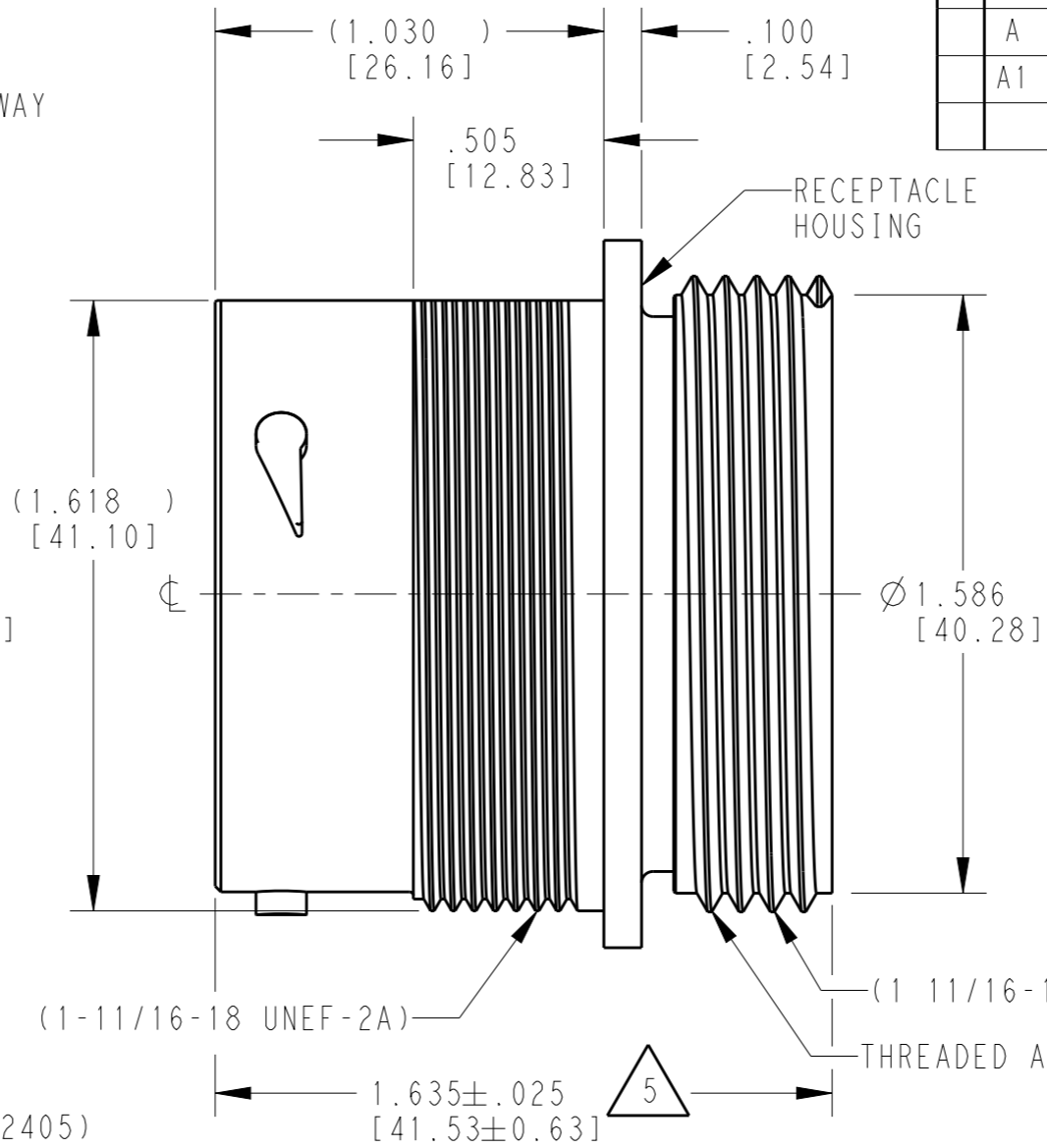
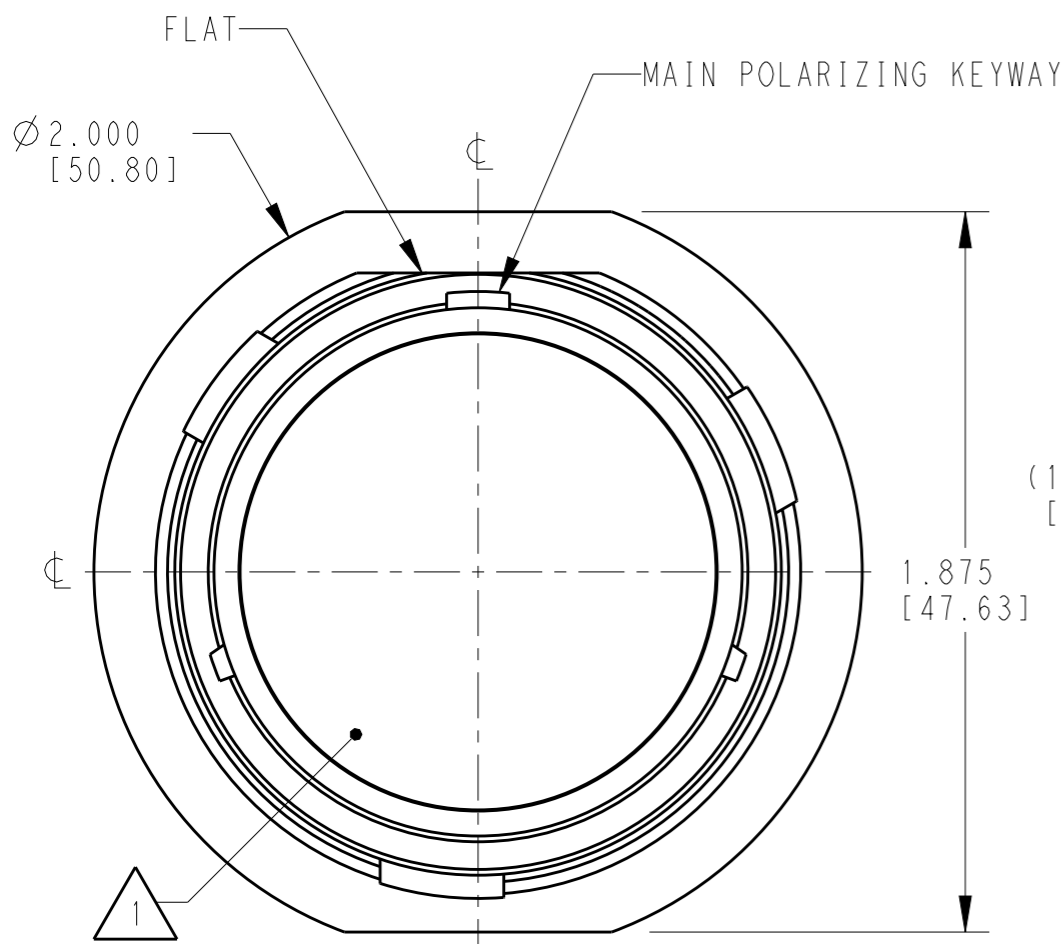


LOC	DIST	REVISIONS			
P	LTR	DESCRIPTION	DATE	DWN	APVD
		NC	NEW RELEASE PER E.O. P21414	24AUG2012	IG DM
		A	REVISED PER ECO-14-019072	23FEB2015	JA DM
		A1	REVISED PER ECO-16-013285	08SEP2016	DD DM



- 6. RECEPTACLE IS SUPPLIED WITH DUST CAP (2415-001-2405)
- 5. NOTED DIMENSION DOES NOT INCLUDE GROMMET PROTRUSION.
- 4. MATERIAL: RECEPTACLE HOUSING: PA66 GF10 (BLACK)  
 THREADED ADAPTER: PA66 GF10 (GREEN, GRAY, BLUE)  
 GROMMET: SILICONE (ORANGE-RED)
- 3. SEE 0425-021-0000 APPLICATION SPECIFICATION  
 A. RECOMMENDED WIRE INSULATION RANGE  
 B. CONTACT REMOVAL TOOLS  
 C. RECOMMENDED MOUNTING HOLE & PANEL THICKNESS  
 D. MOUNTING HARDWARE & MOUNTING TORQUE.

- 8. DATE CODE: IDENTIFIES THE YEAR, MONTH, DAY AND HOUR OF ASSEMBLY.  
 YEAR: FIRST AND SECOND DIGITS. (14 = 2014)  
 MONTH: THIRD DIGIT, EXCLUDING I. A = JAN., B = FEB., C = MARCH... (K = OCTOBER)  
 DAY: FOURTH AND FIFTH DIGITS (14 = 14th DAY)  
 HOUR: SIXTH AND SEVENTH DIGITS (11 = 11AM)
- 7. PART MODIFICATION: THREADED ADAPTER  
 ACCEPT BACKSHELL: 2428-024-2405

- 2. THIS RECEPTACLE MATES WITH HDP26-24-XXP/SX-XXXX PLUG  
 X = SEAL TYPE (N,T,E)  
 XX = INSERT ARRANGEMENT  
 XXXX = MODIFICATION
- 1. SEE CUSTOMER DRAWING, 0425-014-2400 FOR AVAILABLE INSERT ARRANGEMENTS AND PART NUMBERS.

NOTES:

THIS DRAWING IS A CONTROLLED DOCUMENT.		DWN 13 JUL 2012 ILINA GRANICHAROVA	TE Connectivity	
DIMENSIONS: INCHES [mm]		CHK 23 AUG 2012 ILINA GRANICHAROVA		
TOLERANCES UNLESS OTHERWISE SPECIFIED:		APVD 23 AUG 2012 DAVID MEYER	NAME RECEPTACLE, THREADED SIZE 24, -L024 MOD HDP SERIES	
0 PLC ± 1 PLC ± 2 PLC ± 3 PLC ±.015 [0.38] 4 PLC ± ANGLES ±0°30'0"		PRODUCT SPEC 0425-021-0000	APPLICATION SPEC 3	
MATERIAL 4	FINISH N/A	WEIGHT	SIZE A3	CAGE CODE 4AFU8
Customer Drawing		DRAWING NO. HDP24-24-XXP/SX-L024		RESTRICTED TO
		SCALE 2:1	SHEET 1 OF 1	REV A1

## X-ON Electronics

Largest Supplier of Electrical and Electronic Components

*Click to view similar products for [Automotive Connectors](#) category:*

*Click to view products by [TE Connectivity](#) manufacturer:*

Other Similar products are found below :

[003-018-000](#) [60993906-B](#) [M902-2131](#) [M902-2161](#) [M902-2344](#) [72.330.1035.1](#) [73.353.4028.0](#) [F166900](#) [F358300-B](#) [F407400](#) [776880-1](#)  
[827153-1](#) [8N1515-32-24P](#) [9-1326729-8](#) [925474-1](#) [928905-1](#) [964562-4](#) [968782-1](#) [98891-1012](#) [12004475-L](#) [12020308](#) [12041318-B](#)  
[12052466](#) [12064869](#) [12015909](#) [1-21030-1](#) [12041254](#) [12041318](#) [12047946-B](#) [12110546-B](#) [12131792](#) [12084688](#) [12092346](#) [HD34-18-14PT](#)  
[HD46-24-23SN-059](#) [HDB36-24-16PN-059](#) [HDP26-24-9SE-L015](#) [12185280](#) [12185550](#) [12336-12](#) [12191172-B](#) [12S](#) [13545280](#) [13577943](#)  
[13681974](#) [13737722-B](#) [13830674](#) [13832576](#) [13849772](#) [13542772](#)