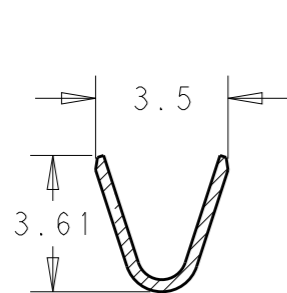
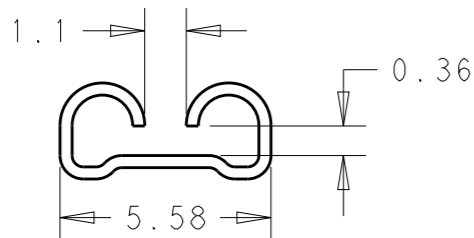
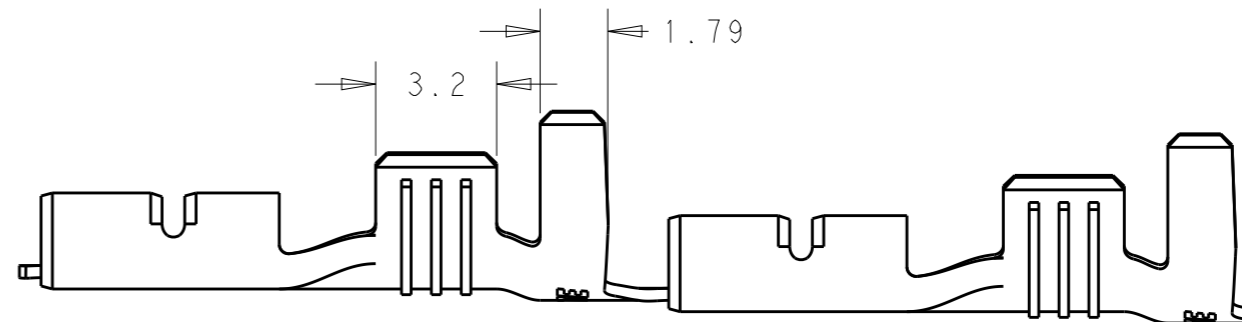
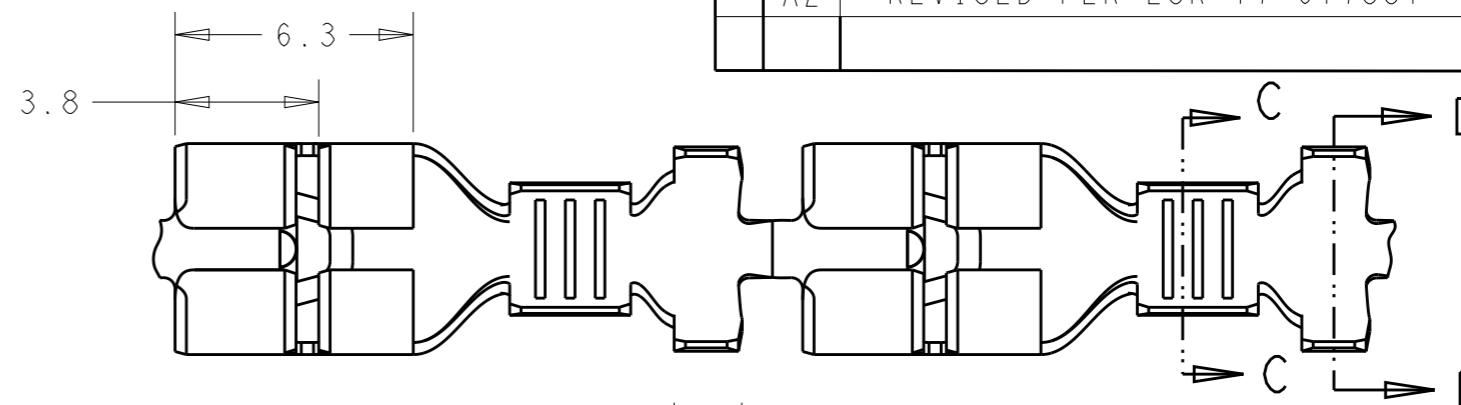
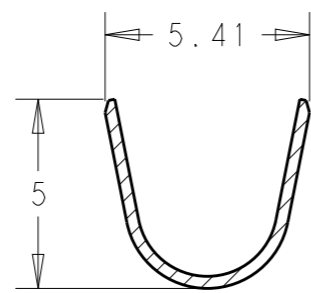


REVISIONS

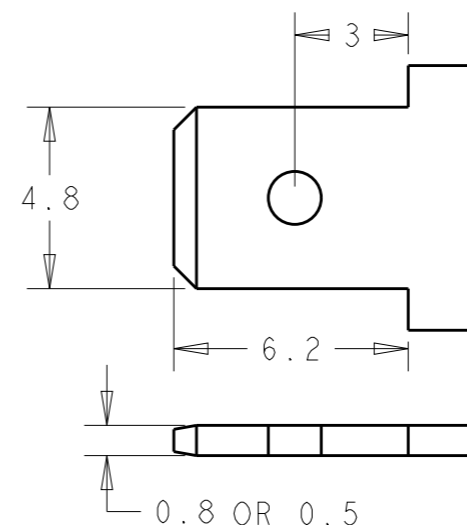
P	LTR	DESCRIPTION	DATE	DWN	APVD
	A2	REVISED PER ECR-17-017881	25DEC2017	HG	TD



SECTION C-C




SECTION D-D



RECOMMENDED MATING TAB DIMENSION

- 1) CONTINUOUS STRIP ON REELS.
- 2) WIRE SIZE IS 1.0mm² - 2.5mm².
- 3) INSULATION RANGE 3.0-4.3
- 4) MATING TAB THK 0.50+0.04/- 0.03 or 0.80+0.04/- 0.03.
- 5) APPLICATION REMARK: THIS TERMINAL CAN BE USED ON COUNTERPART TABS HAVING THICKNESS 0.5mm AND 0.8mm IT IS NOT ALLOWED TO MATE WITH 0.5mm TAB AFTER MATE WITH THE 0.8mm TAB.

TIN PLATED	BRASS	2293895-1
FINISH	MATERIAL	PART NO

THIS DRAWING IS A CONTROLLED DOCUMENT.		DWN 09SEP2015 JASON JIANG	 TE Connectivity	
DIMENSIONS: mm		CHK TIM DING		
TOLERANCES UNLESS OTHERWISE SPECIFIED:		APVD TIM DING	PRODUCT SPEC 108-106242	
0 PLC ±0.5		APPLICATION SPEC 114-106242		SIZE A3
1 PLC ±0.2		WEIGHT -		CAGE CODE -
2 PLC ±0.10		Customer Drawing		DRAWING NO C-2293895
3 PLC ±0.05		SCALE N/A		SHEET 1 OF 1
4 PLC ±0.000J		RESTRICTED TO -		REV A2
ANGLES ±2				
FINISH -				
MATERIAL SEE TABLE				

X-ON Electronics

Largest Supplier of Electrical and Electronic Components

Click to view similar products for [Terminals](#) category:

Click to view products by [TE Connectivity](#) manufacturer:

Other Similar products are found below :

[00-054007-01074-6](#) [00-054007-70206-1](#) [00-054007-70210-8](#) [00-054007-70217-7](#) [00-054007-70226-9](#) [00-054007-70228-3](#) [00-054007-70248-1](#) [00-054007-70256-6](#) [00-054007-70301-3](#) [00-054007-70316-7](#) [00-054007-49560-4](#) [00-054007-70209-2](#) [00-054007-70225-2](#) [00-054007-70227-6](#) [00-054007-70231-3](#) [00-054007-70241-2](#) [00-054007-70242-9](#) [00-054007-70244-3](#) [00-054007-70246-7](#) [00-054007-70263-4](#) [00-054007-70288-7](#) [00-054007-70290-0](#) [00-054007-70300-6](#) [00-054007-70304-4](#) [01-2065-1-0216](#) [01-2900-1-04412](#) [00581P0075](#) [600TS-10](#) [60205-1](#) [604200-1](#) [605601-1](#) [60598-1-CUT-TAPE](#) [61314-6-C](#) [61810-3](#) [61-S](#) [61-SN](#) [626-0194](#) [62-NBM-A](#) [62-SN](#) [62-SP](#) [63-S](#) [640179-1](#) [M55155/059I03](#) [M55155/079C01](#) [M55155/099H02](#) [M55155/109H01](#) [M55155/109H02](#) [M55155/12XH05](#) [M55155/16XH02](#) [M55155/29-5S](#)