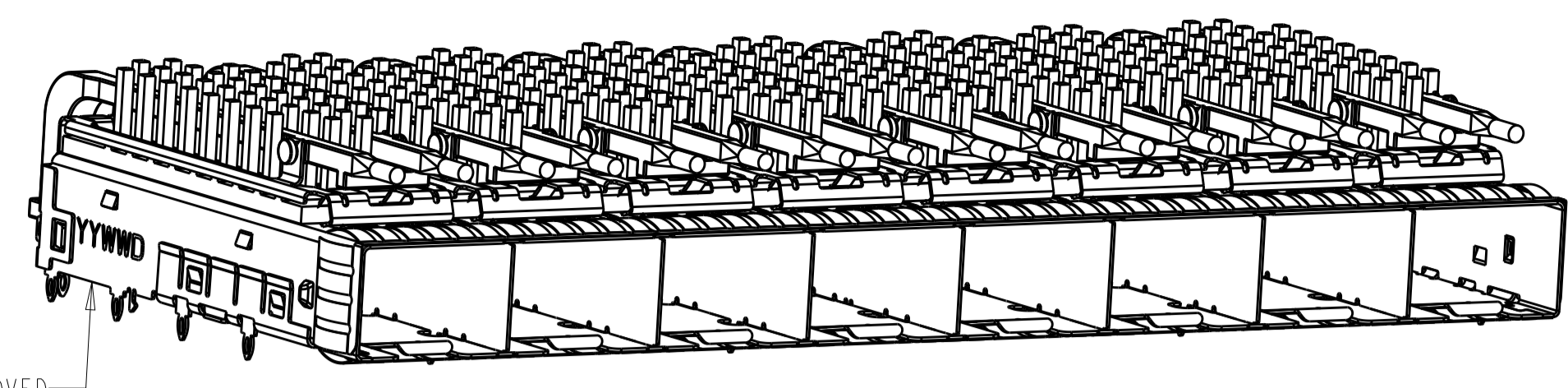
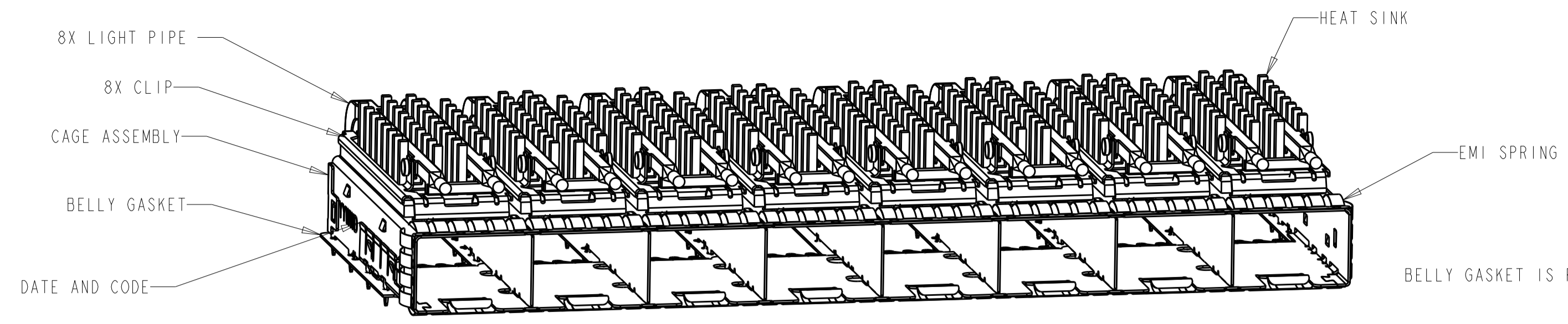


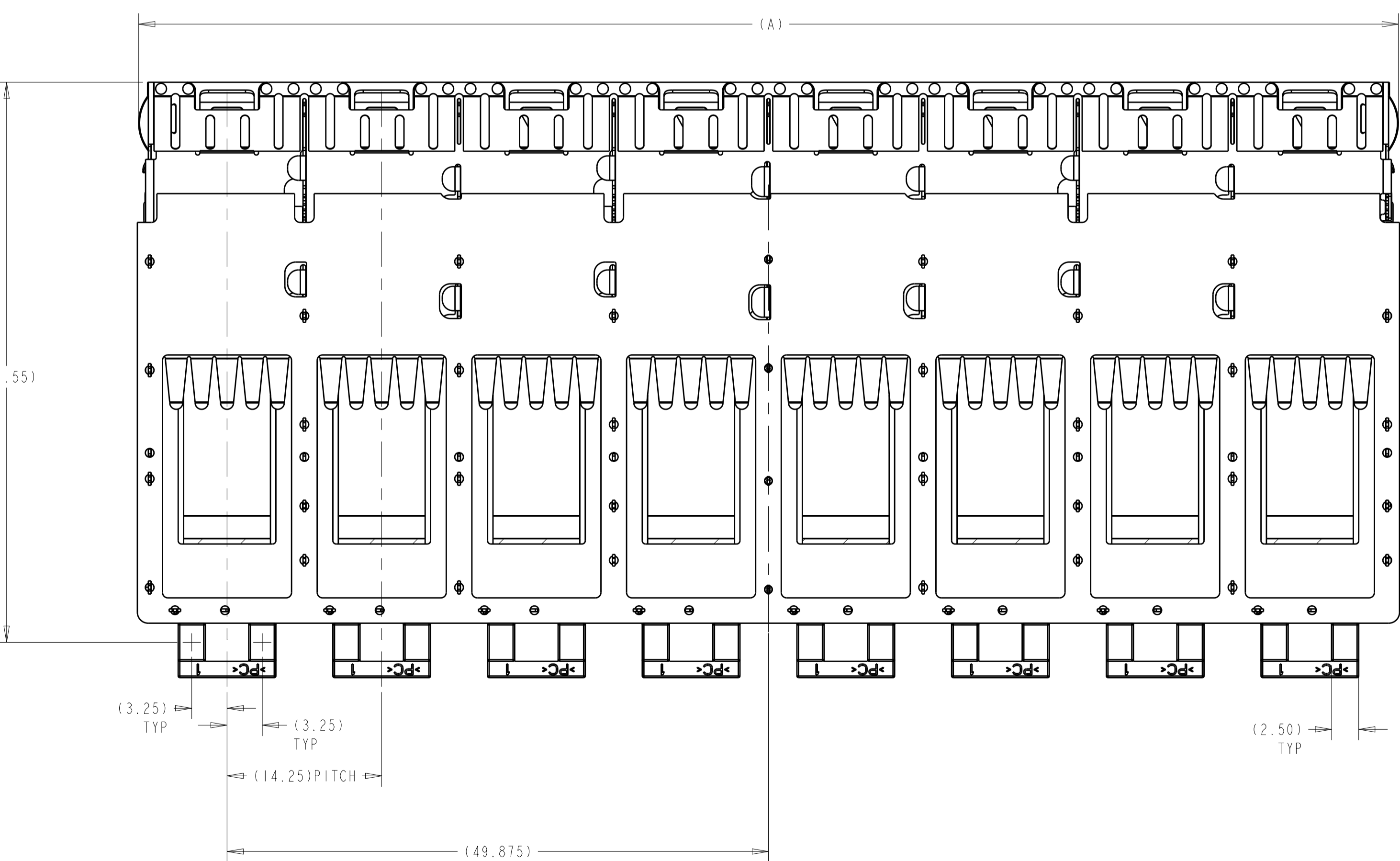
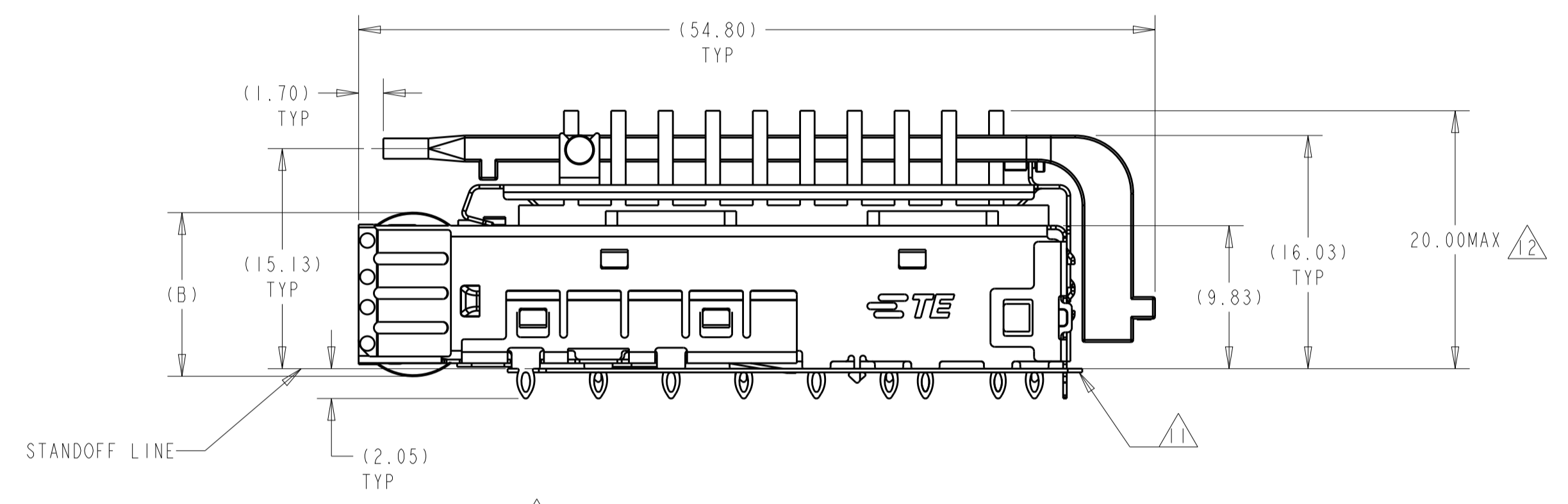
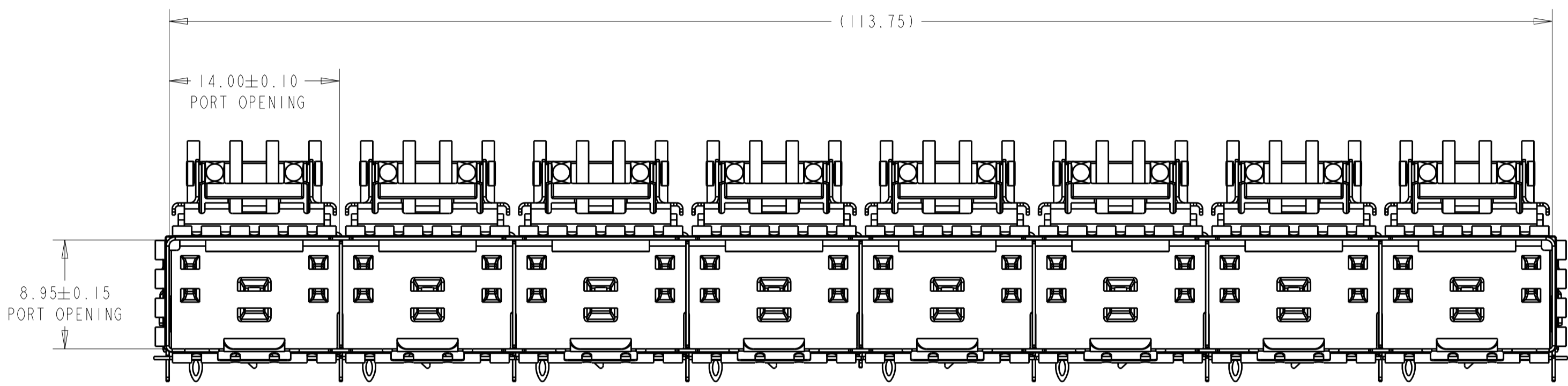
LOC	DIST	REVISIONS			
P	LTN	DESCRIPTION	DATE	OWN	APVD
A		RELEASE TO PRODUCTION	21APR2016	KO	SH
B		REVISED PER ECO-16-014593	14FEB2017	JW	SH
B1		REVISED PER ECO-17-005342	11OCT2017	JW	SH



SCALE 2:1

1-2294408-1, DIMENSIONS SAME AS 2294408-1  
 SCALE 2:1

2294408-1  
 SCALE 3:1



- 1 MATERIAL:  
 CAGE ASSEMBLY: NICKEL SILVER ALLOY, (0.25mm)  
 PCB GASKET: RF ABSORBER  
 EMI SPRINGS: PHOSPHOR BRONZE  
 LIGHT PIPE&HEATSINK CLIP: STAINLESS STEEL  
 LIGHT PIPE: POLYCARBONATE, CLEAR  
 HEATSINK: ALUMINUM
- 2 MINIMUM PC BOARD THICKNESS:  
 SINGLE SIDE = 1.45mm  
 BELLY TO BELLY = 2.25mm
- 3 PADS AND VIAS CHASSIS GROUND
- 4 DATUM AND BASIC DIMENSION ESTABLISHED BY CUSTOMER
- 5. MATES WITH SFP MSA COMPLIANT TRANSCEIVERS
- 6. INTERPRETATION OF DATUM REFERENCE FRAME IN ACCORDANCE WITH SECT 4.4.1.1 OF ASME Y14.5M-1994
- 7 REFERENCE APPLICATION SPEC. 114-13120, HOLE A, FOR RECOMMENDED DRILL HOLE DIAMETER AND PLATING THICKNESS
- 8 REFERENCE APPLICATION SPEC. 114-13120, HOLE B, FOR RECOMMENDED DRILL HOLE DIAMETER AND PLATING THICKNESS
- 9 HOLE PATTERN REPEATS FOR EACH PORT, SPACING BETWEEN PORTS IS 14.25mm
- 10. PRODUCT COMPLIES WITH SPECIFICATION SFF-8433, IMPROVED PLUGGABLE FORM FACTOR FOR SFP+ GANGED CAGES
- 11 CONTACT STANDOFF WILL PIERCE GASKET WHEN PROPERLY PRESSED INTO PCB.
- 12 DIMENSION APPLIES WITH MODULE INSERTED IN CAGE.
- 13 BELLY GASKET IS REMOVED

10.85	115.64	15.0 MAX HEIGHT, PIN TYPE	NA	1-2294408-2
10.85	115.64	20.0 MAX HEIGHT, PIN TYPE	DUAL, STANDARD HEIGHT&LENGTH	1-2294408-1
11.25	116.04	17.0 MAX HEIGHT, PIN TYPE	DUAL, STANDARD HEIGHT&LENGTH	2294408-5
11.25	116.04	17.0 MAX HEIGHT, PIN TYPE	DUAL, STANDARD HEIGHT&LENGTH	2294408-4
11.25	116.04	20.0 MAX HEIGHT, PIN TYPE	DUAL, STANDARD HEIGHT&LENGTH, COATED	2294408-3
11.25	116.04	15.0 MAX HEIGHT, PIN TYPE	NA	2294408-2
11.25	116.04	20.0 MAX HEIGHT, PIN TYPE	DUAL, STANDARD HEIGHT&LENGTH	2294408-1
(DIM B)	(DIM A)	HEATSINK DESC	LIGHT PIPE DESC	PART NUMBER

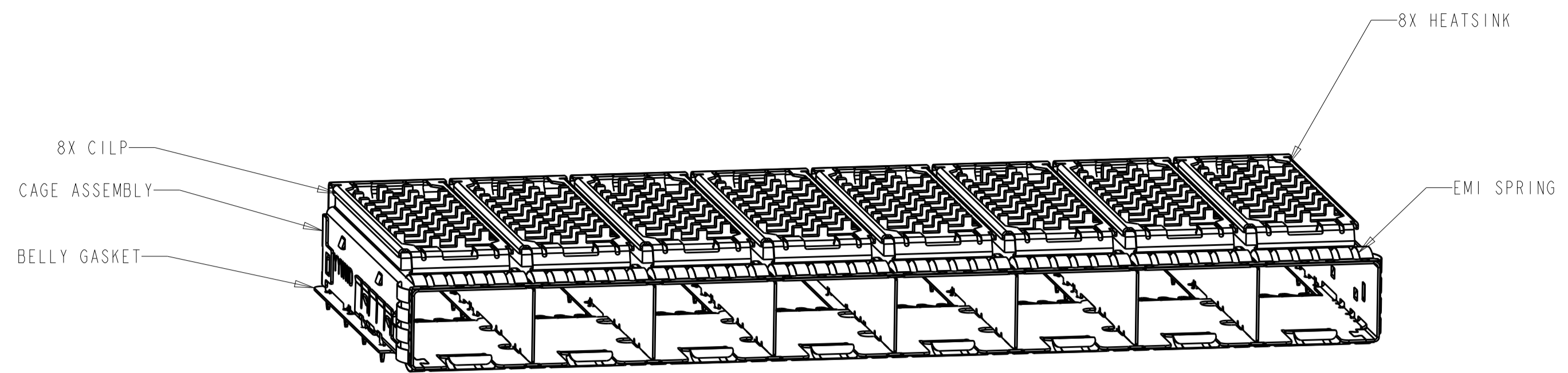
THIS DRAWING IS A CONTROLLED DOCUMENT. DIMENSIONING AND TOLERANCING PER ASME Y14.5M-2009. TOLERANCES UNLESS OTHERWISE SPECIFIED:

DIMENSIONS:	TOLERANCES UNLESS OTHERWISE SPECIFIED:
mm	0 PLC ±0.25
	1 PLC ±0.25
	2 PLC ±0.25
	3 PLC ±0.25
	4 PLC ±0.25
	ANGLES ±°

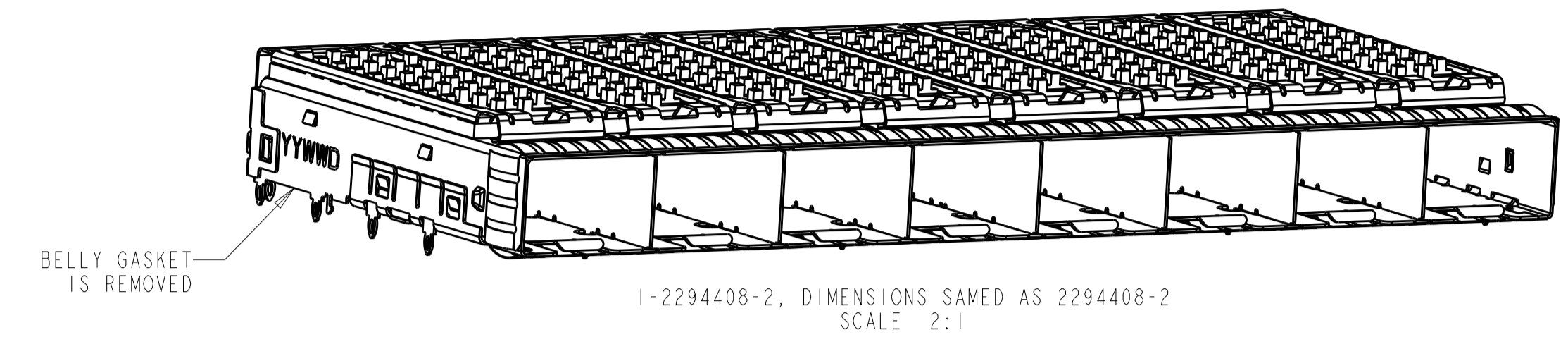
MATERIAL: SEE NOTES FINISH: SEE NOTES

OWN: REVIN 24JUL2015	CHK: SEAN HAN 24JUL2015	APVD: SEAN HAN 24JUL2015	NAME: CAGE ASSEMBLY, PRESS-FIT, EMI SPRINGS, 1X8, zSFP+
SIZE: A1	CAGE CODE: 00779	DRAWING NO: 2294408	RESTRICTED TO: -
CUSTOMER DRAWING	SCALE: 3:1	SHEET: 1 OF 6	REV: B1

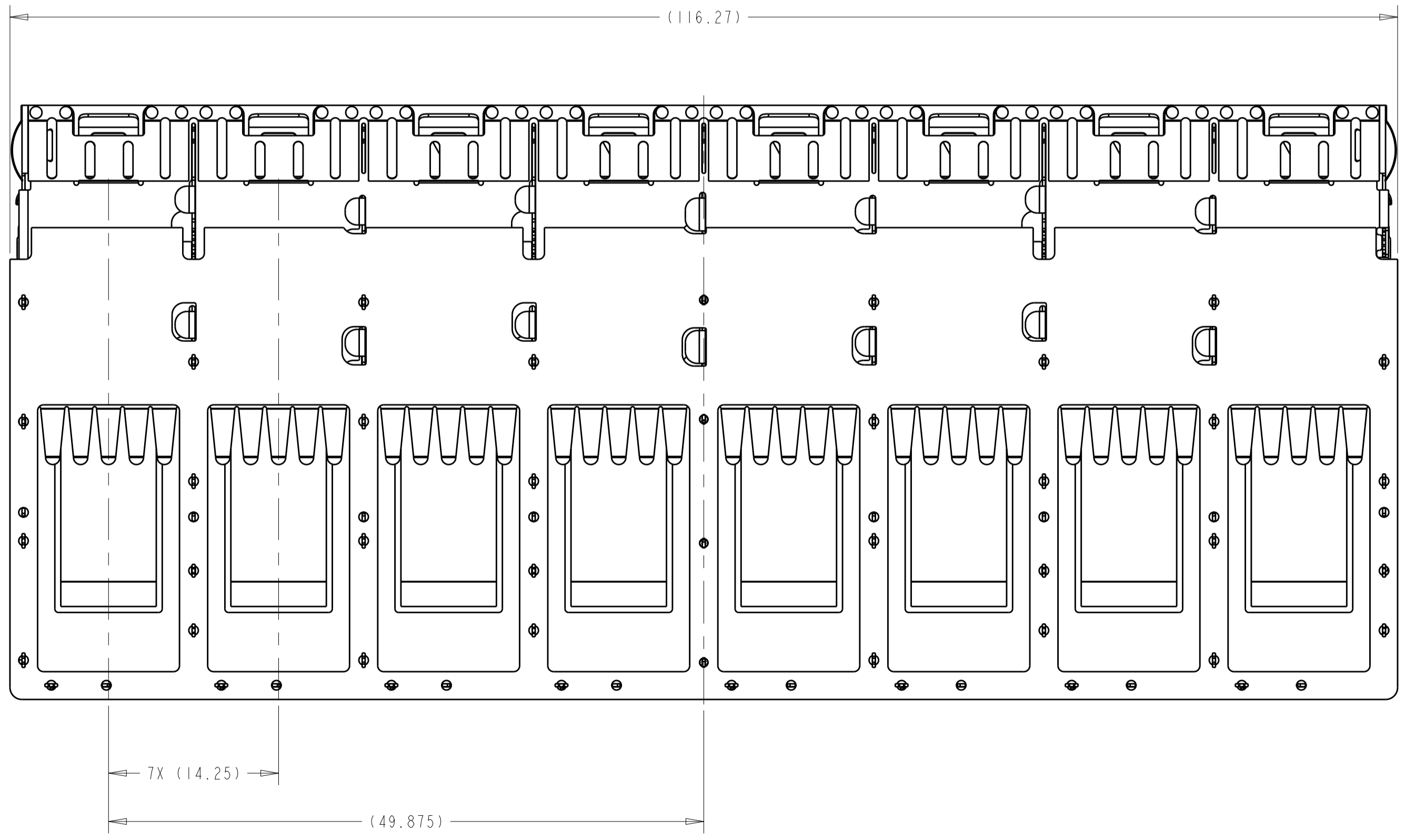
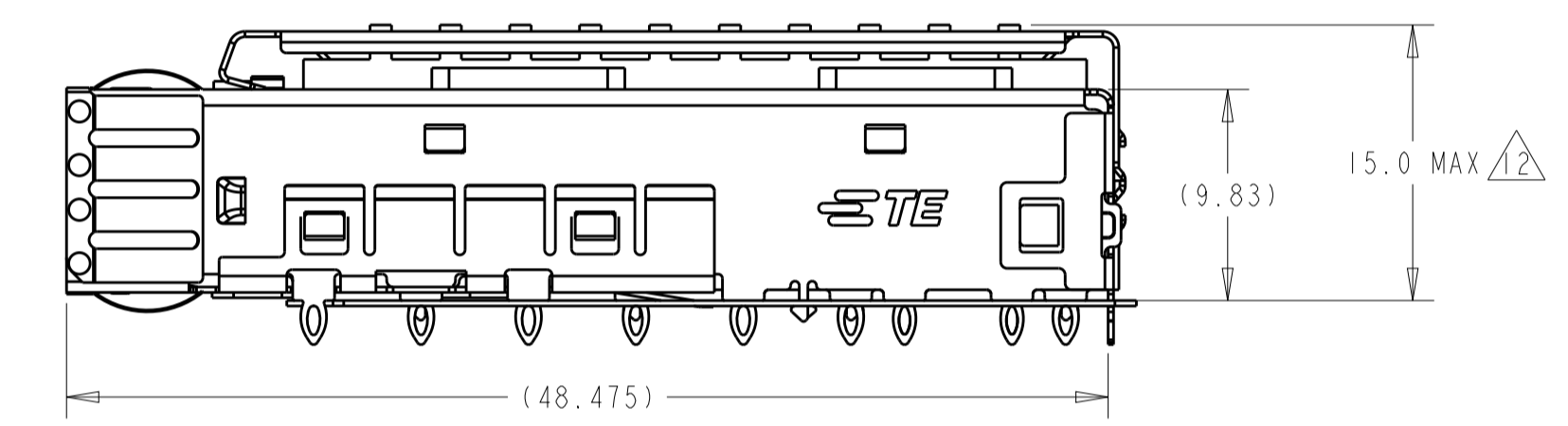
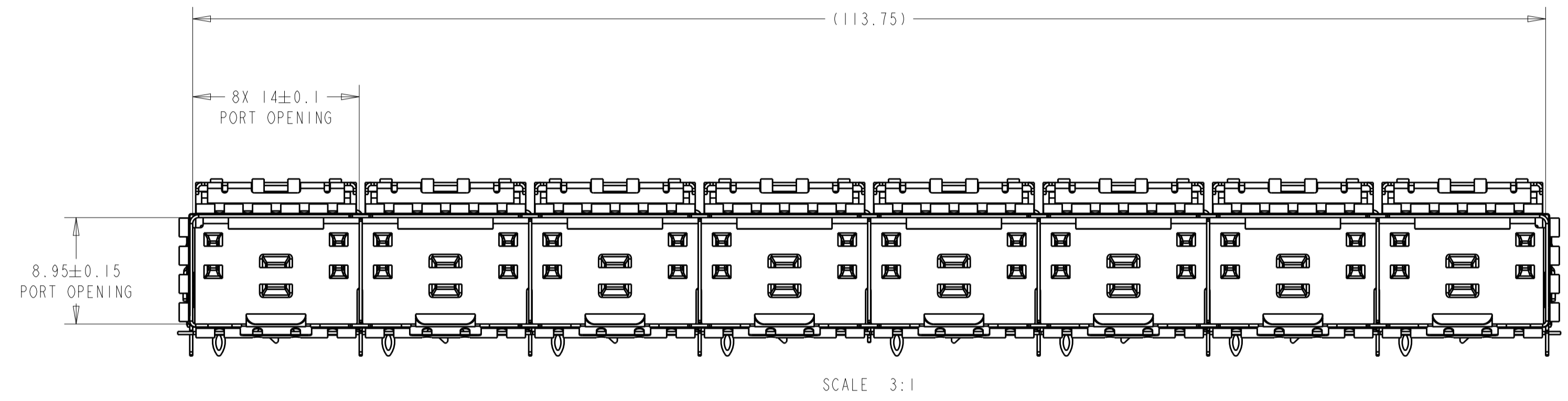
LOC	DIST	REVISIONS			
P	LYR	DESCRIPTION	DATE	OWN	APVD
GP	00	SEE SHEET 1	-	-	-



2294408-2  
 SCALE 2:1

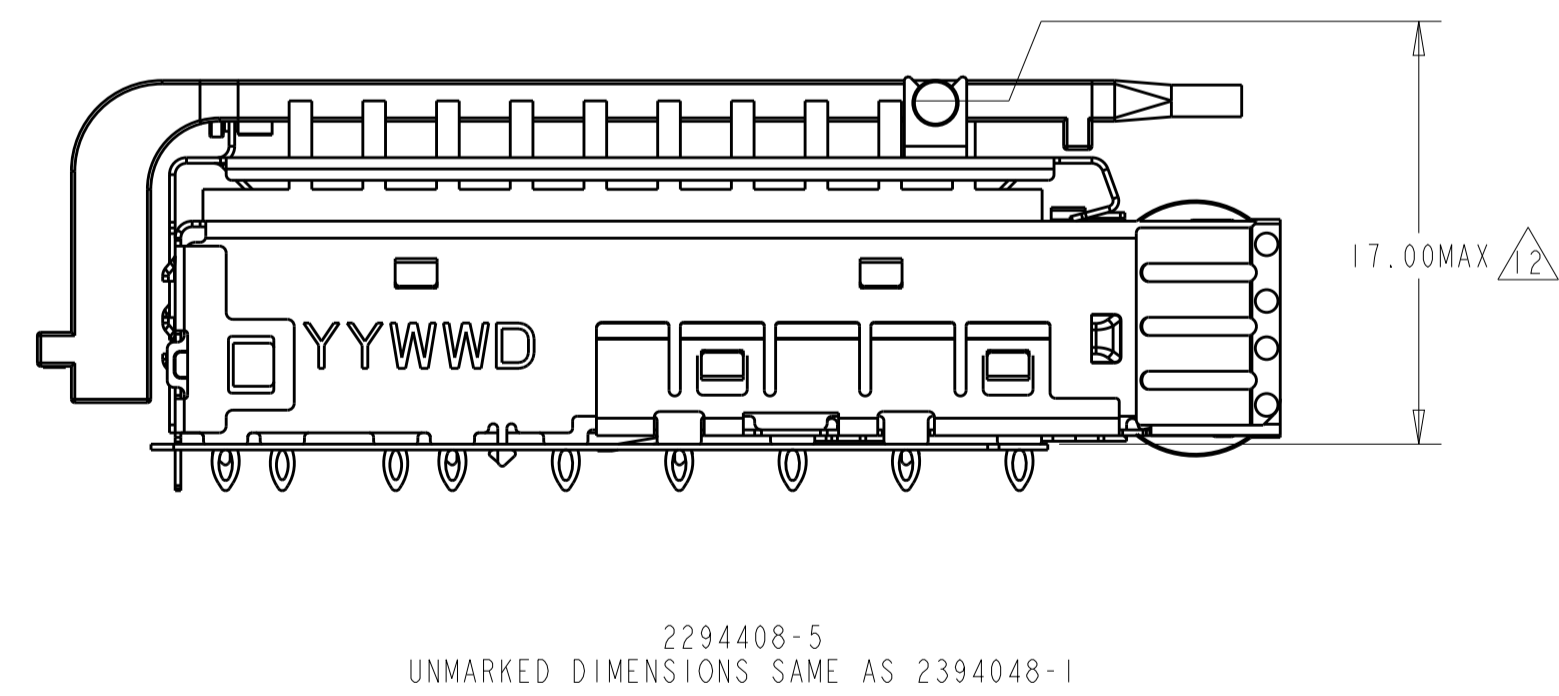
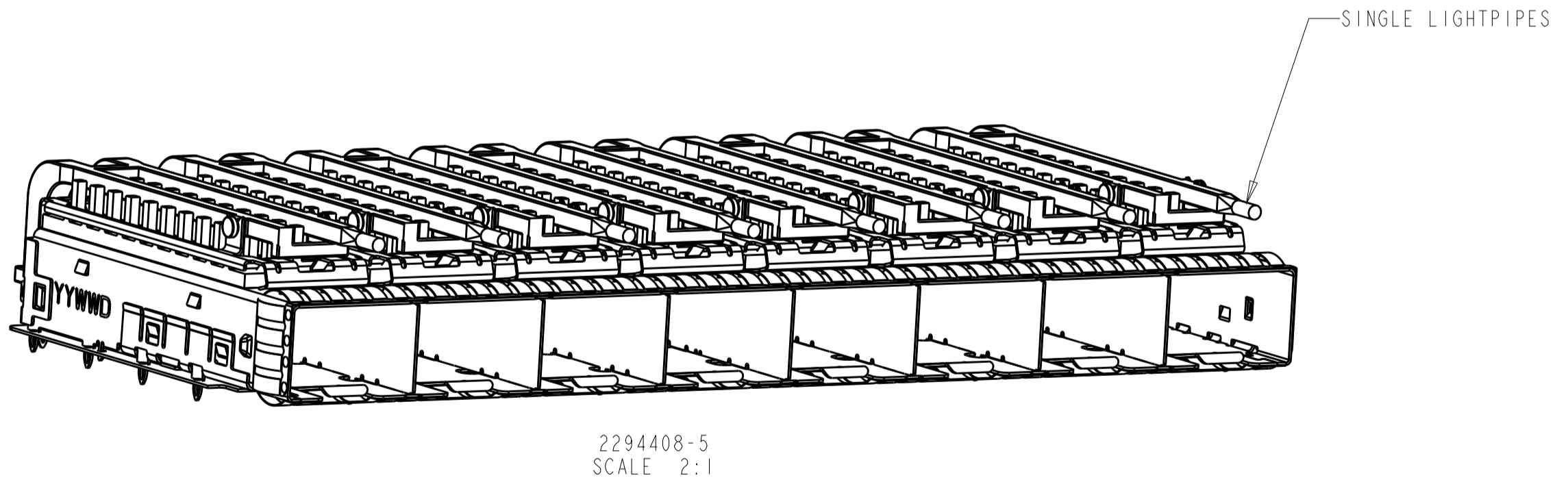
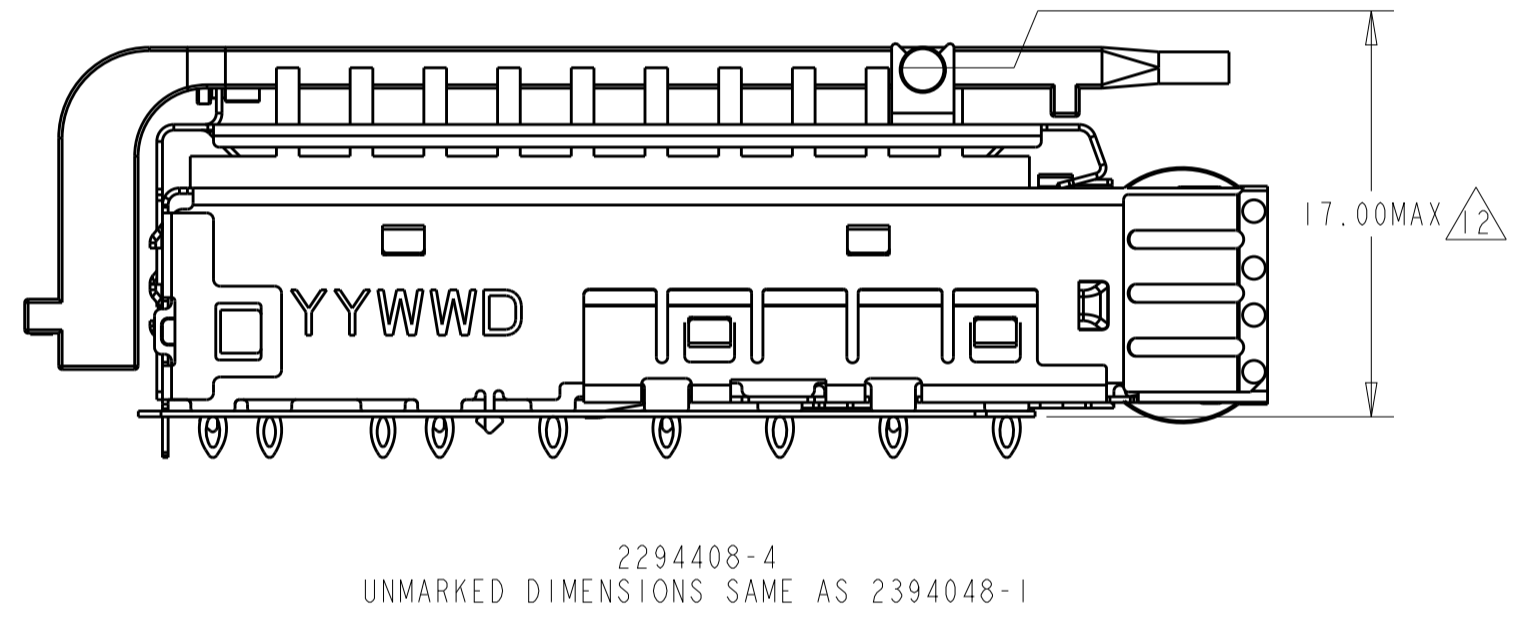
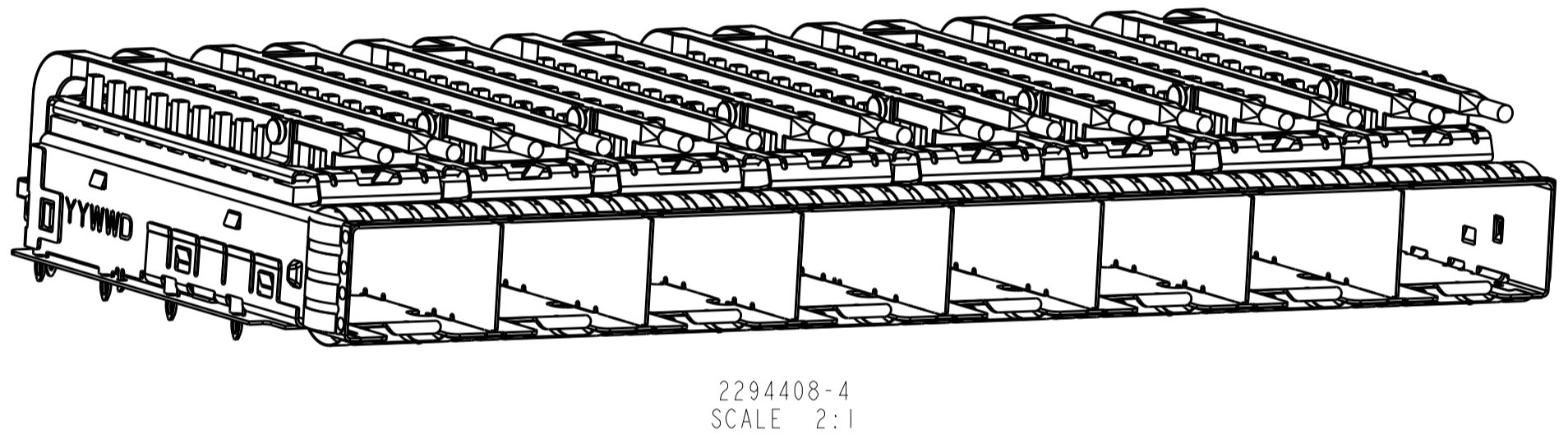
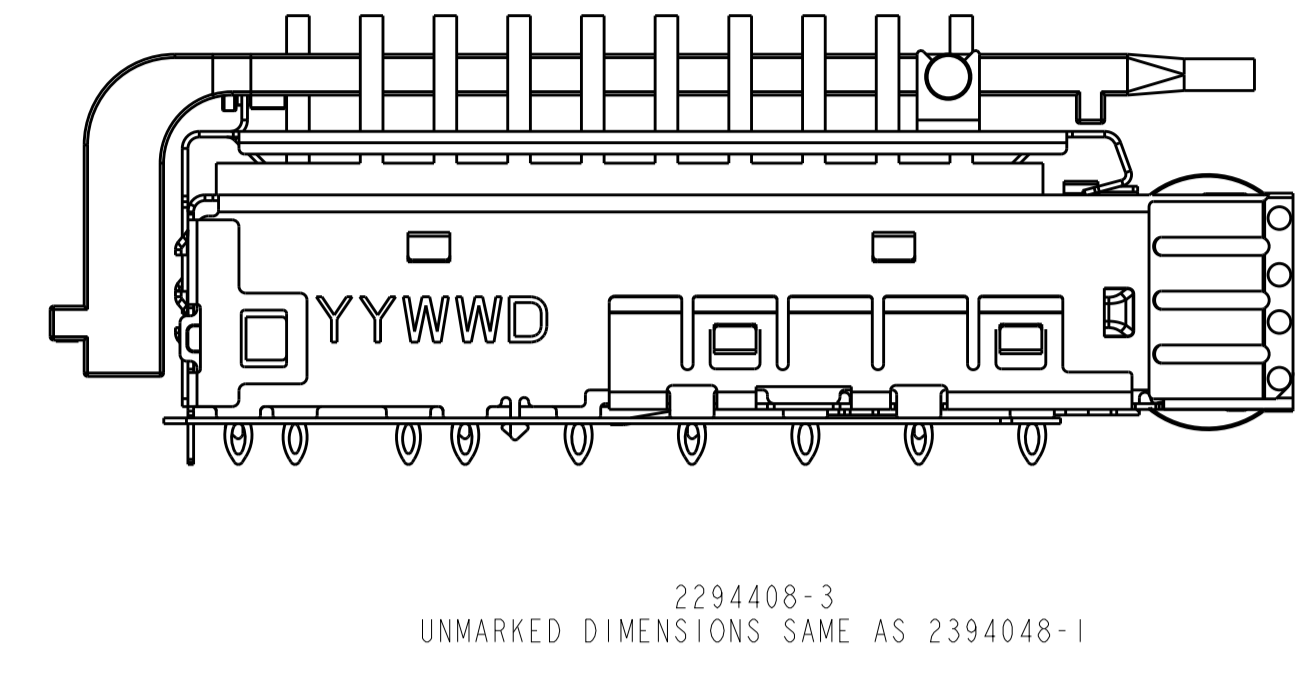
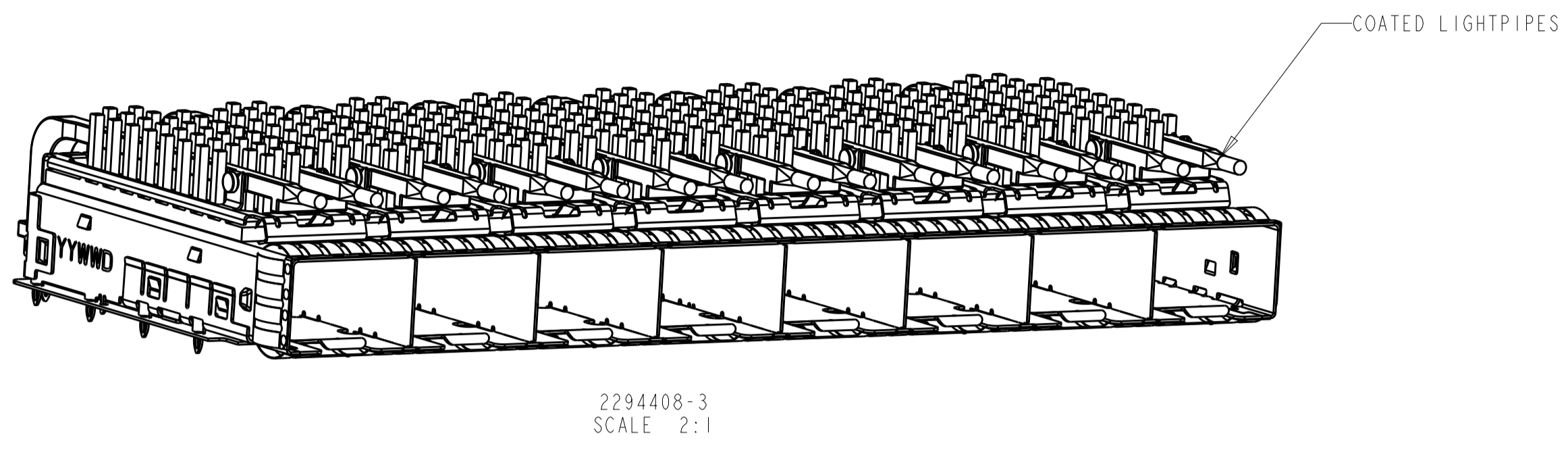


1-2294408-2, DIMENSIONS SAME AS 2294408-2  
 SCALE 2:1



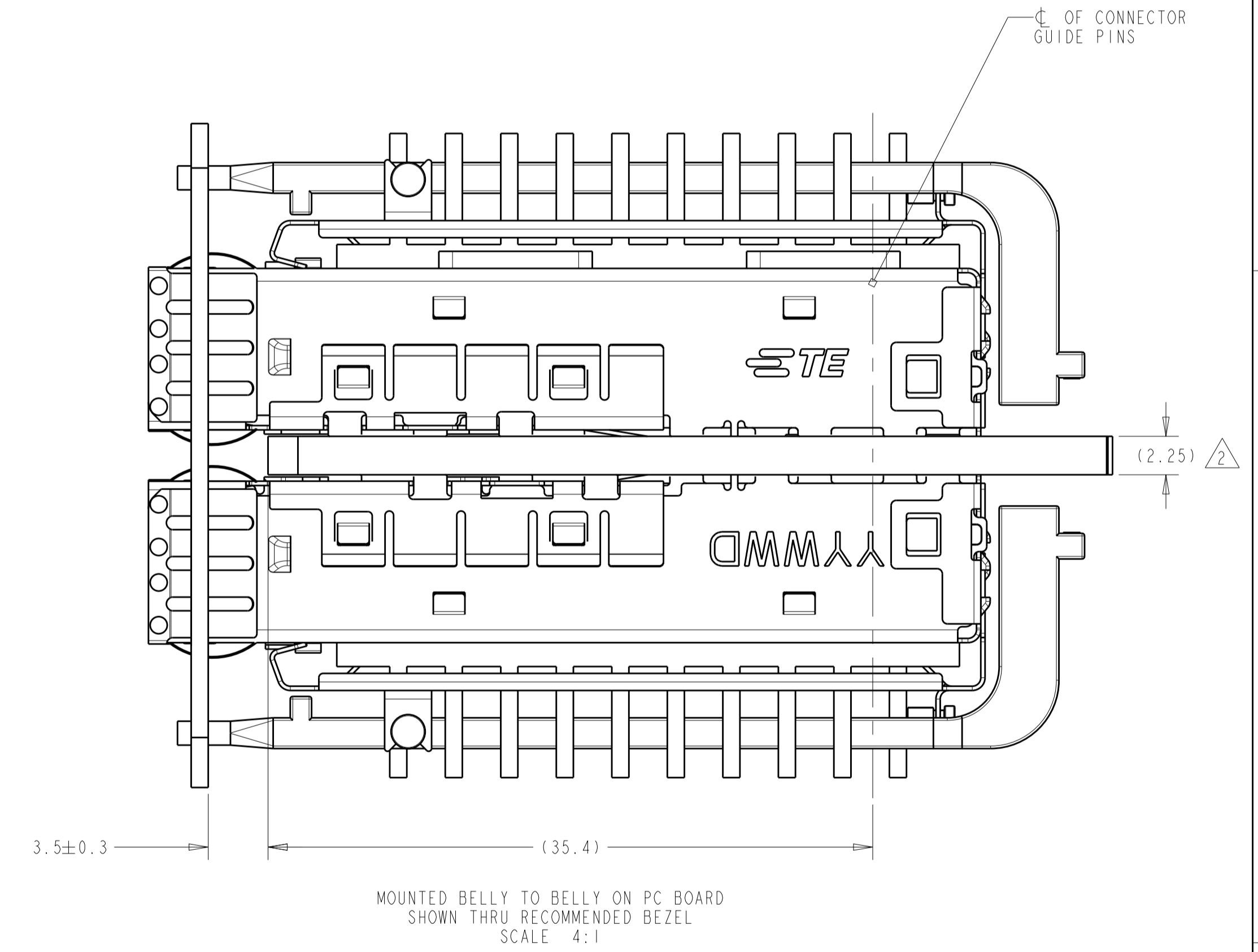
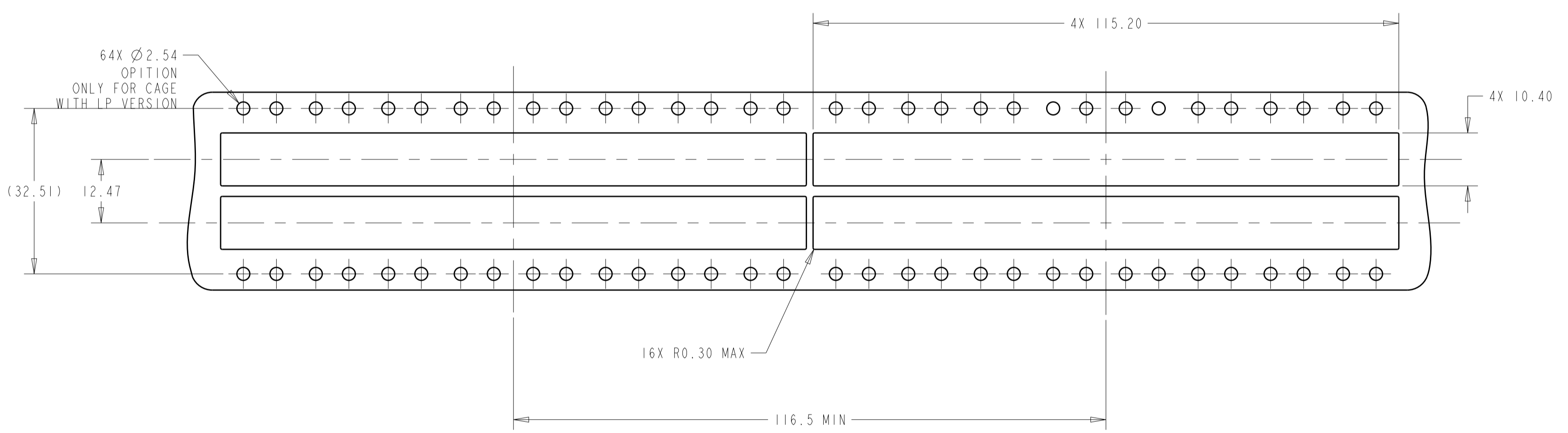
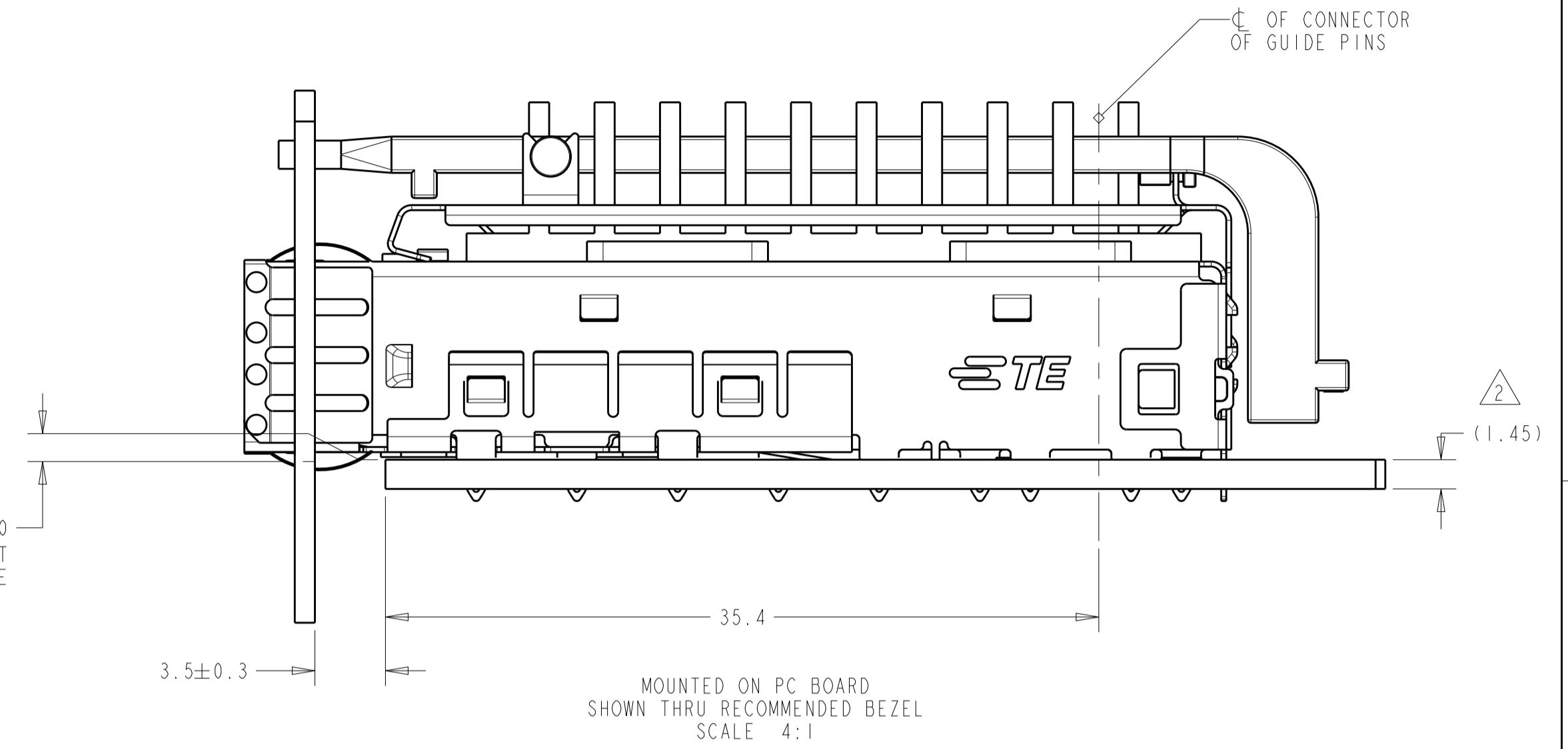
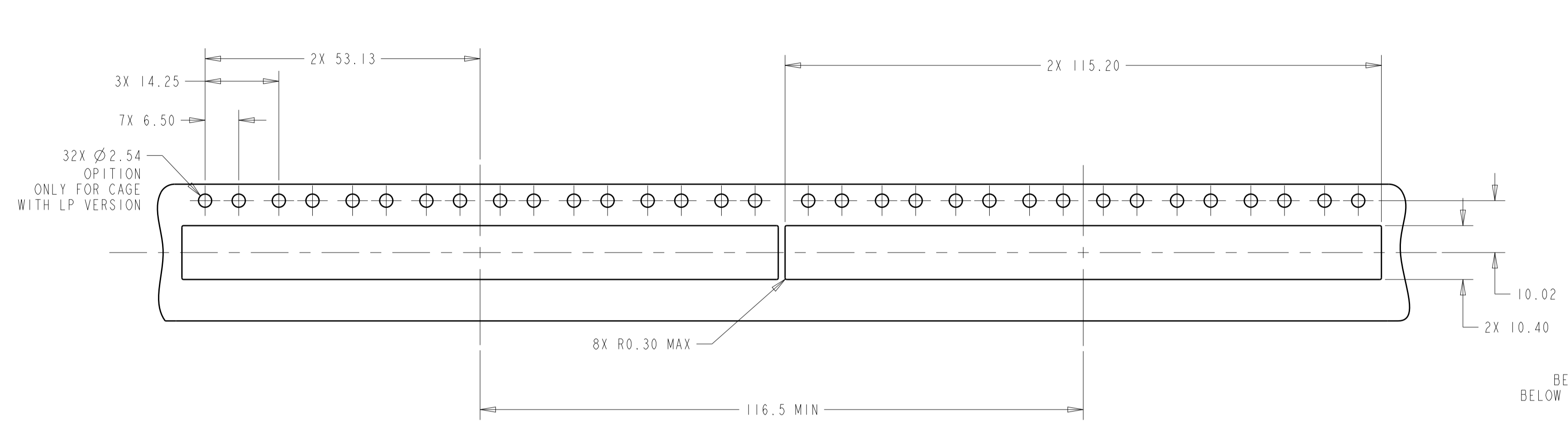
THIS DRAWING IS A CONTROLLED DOCUMENT. DIMENSIONING AND TOLERANCING PER ASME Y14.5M-2009		OWN: REVIN 24JUL2015	TE Connectivity
DIMENSIONS: mm		CHK: SEAN HAN 24JUL2015	
TOLERANCES UNLESS OTHERWISE SPECIFIED:		APVD: SEAN HAN 24JUL2015	NAME: CAGE ASSEMBLY, PRESS-FIT, EMI SPRINGS, 1X8, zSFP+
0 PLC ±0.25	1 PLC ±0.25	PRODUCT SPEC	SIZE: A1
2 PLC ±0.25	3 PLC ±0.25	APPLICATION SPEC	CAGE CODE: 00779
4 PLC ±0.25	ANGLES ±°	WEIGHT	DRAWING NO: 2294408
FINISH SEE NOTES	FINISH SEE NOTES	CUSTOMER DRAWING	SCALE: 3:1 SHEET 2 OF 6 REV: B1

LOC	DIST	REVISIONS					
GP	00	P.	LYR	DESCRIPTION	DATE	OWN	APVD
-	-	-	-	SEE SHEET 1	-	-	-



THIS DRAWING IS A CONTROLLED DOCUMENT. DIMENSIONING AND TOLERANCING PER ASME Y14.5M-2009		OWN: REVIN 24JUL2015	TE Connectivity
DIMENSIONS: mm		CHK: SEAN HAN 24JUL2015	
TOLERANCES UNLESS OTHERWISE SPECIFIED:		APVD: SEAN HAN 24JUL2015	NAME: CAGE ASSEMBLY, PRESS-FIT, EMI SPRINGS, 1X8, zSFP+
0 PLC ±0.25 1 PLC ±0.25 2 PLC ±0.25 3 PLC ±0.25 4 PLC ±0.25 ANGLES ±°		PRODUCT SPEC	
MATERIAL: SEE NOTES		APPLICATION SPEC	RESTRICTED TO
FINISH: SEE NOTES		WEIGHT: -	SIZE: A1
CUSTOMER DRAWING		CAGE CODE: 00779	DRAWING NO: C=2294408
SCALE: 3:1		SHEET: 3	OF: 6
REV: B1			

LOC		DIST		REVISIONS			
GP	00	P	LTN	DESCRIPTION	DATE	OWN	APVD
-	-	-	-	SEE SHEET 1	-	-	-

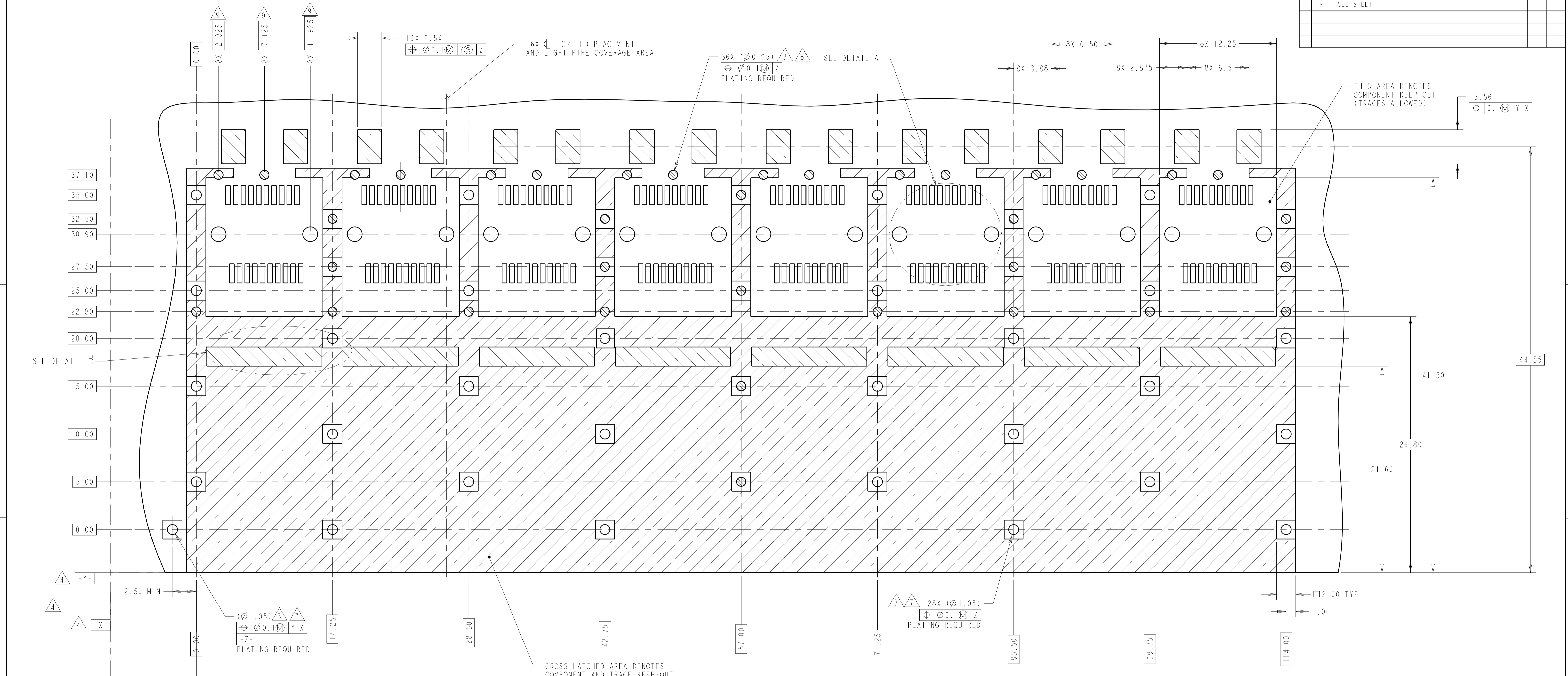


THIS DRAWING IS A CONTROLLED DOCUMENT. DIMENSIONING AND TOLERANCING PER ASME Y14.5M-2009		OWN: REVIN 24JUL2015	TE Connectivity
DIMENSIONS: mm		CHK: SEAN HAN 24JUL2015	
TOLERANCES UNLESS OTHERWISE SPECIFIED:		APVD: SEAN HAN 24JUL2015	NAME: CAGE ASSEMBLY, PRESS-FIT, EMI SPRINGS, 1X8, zSFP+
0 PLC ±0.25 1 PLC ±0.25 2 PLC ±0.25 3 PLC ±0.25 4 PLC ± ANGLES ±1°		PRODUCT SPEC	
MATERIAL: SEE NOTES		APPLICATION SPEC	RESTRICTED TO
FINISH: SEE NOTES		WEIGHT	SIZE: A1
CUSTOMER DRAWING		CAGE CODE: 00779	DRAWING NO: 2294408
		SCALE: 4:1	SHEET 4 OF 6
			REV: B1

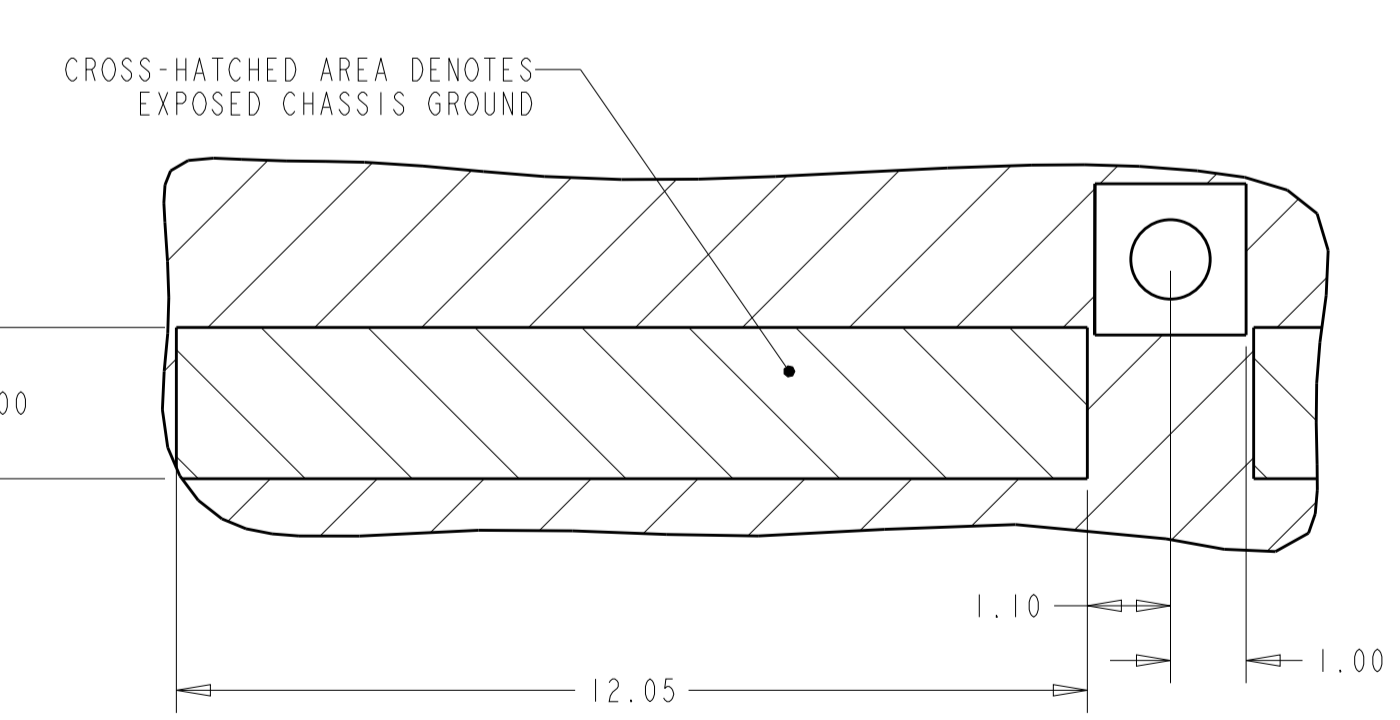
LOC	DIST	REV	DATE	BY	APPD
GP	00				

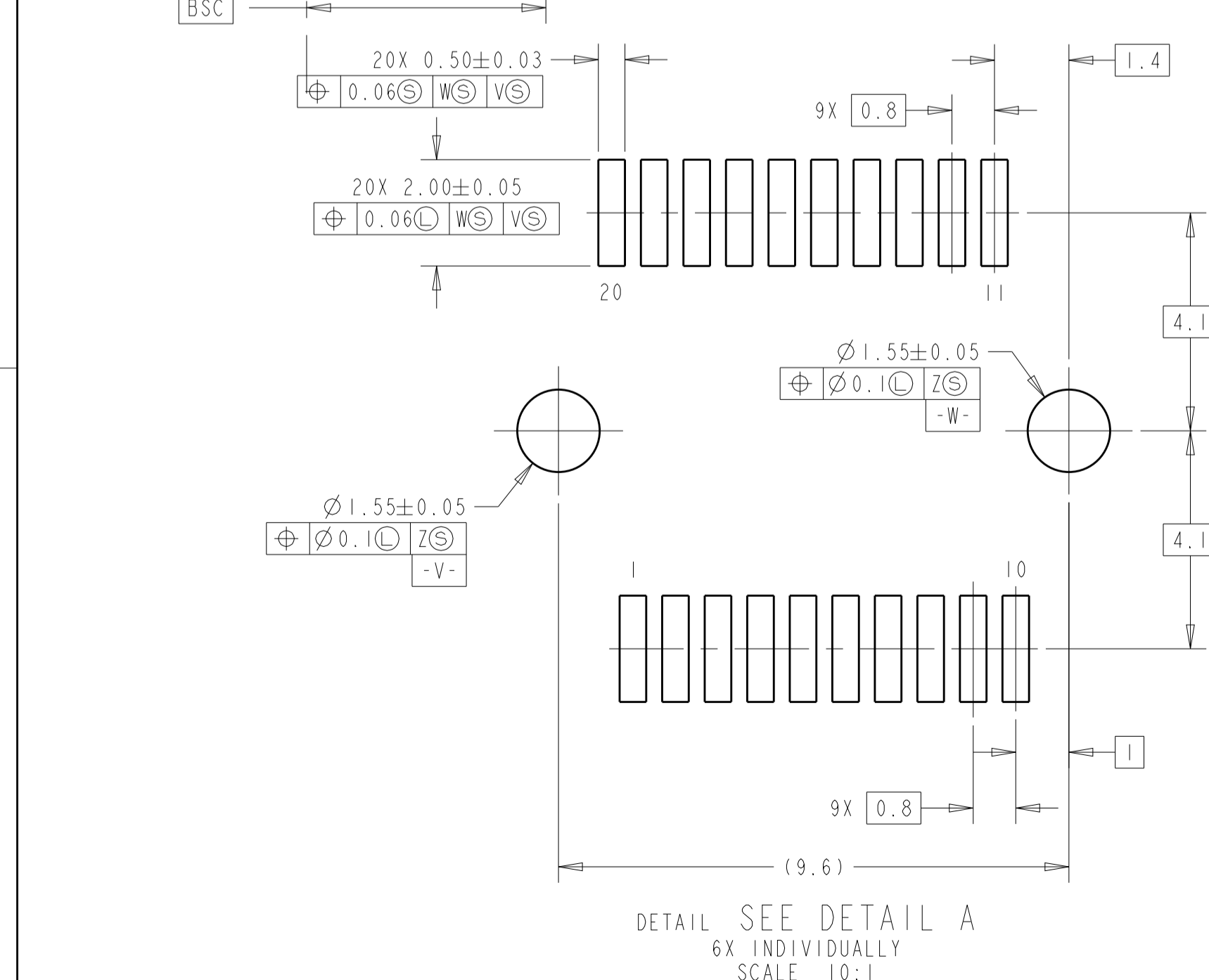
REVISIONS			
NO.	DESCRIPTION	DATE	BY
1	SEE SHEET 1		



RECOMMENDED PCB CONFIGURATION  
 WITH KEEP-OUT AREAS FOR SINGLE SIDED APPLICATION  
 SCALE 5:1



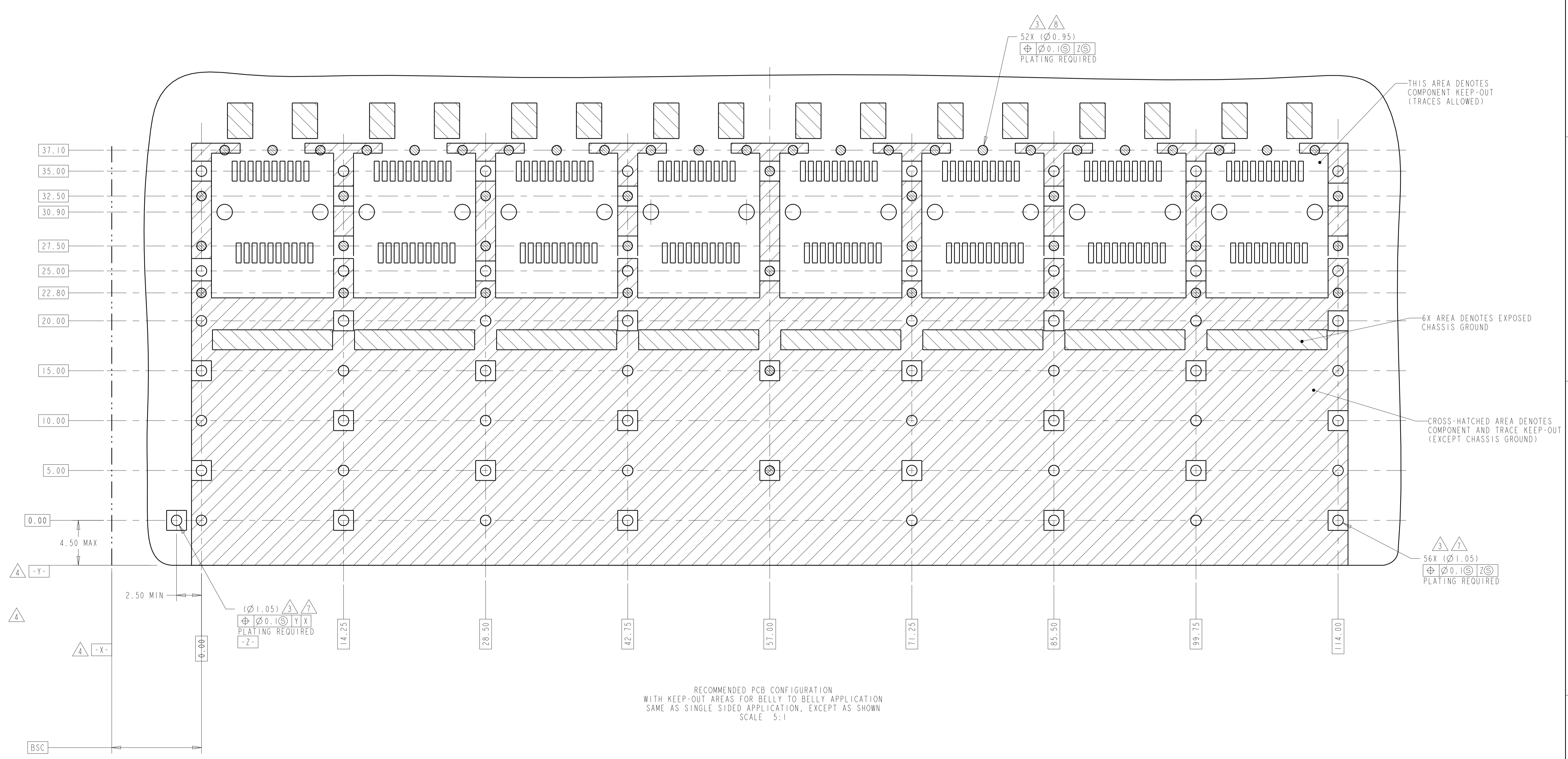
DETAIL B  
 6X INDIVIDUALLY  
 SCALE 10:1



DETAIL A  
 6X INDIVIDUALLY  
 SCALE 10:1

THIS DRAWING IS A CONTROLLED DOCUMENT. DIMENSIONING AND TOLERANCING PER ASME Y14.5M-2009. TOLERANCES UNLESS OTHERWISE SPECIFIED:		OWN: REVIN 24JUL2015	TE Connectivity
DIMENSIONS: mm		CHK: SEAN HAN 24JUL2015	
0 PLC ±0.1 1 PLC ±0.1 2 PLC ±0.08 3 PLC ±0.05 4 PLC ±0.05 ANGLES ±°		APPD: SEAN HAN 24JUL2015	NAME: CAGE ASSEMBLY, PRESS-FIT, EMI SPRINGS, 1X8, zSFP+
MATERIAL: SEE NOTES		FINISH: SEE NOTES	SIZE: A1 CAGE CODE: 00779 DRAWING NO: 2294408
CUSTOMER DRAWING		SCALE: 4:1	SHEET 5 OF 6 REV: B1

LOC	DIST	REVISIONS			
P	LTN	DESCRIPTION	DATE	DMN	APVD
-	-	SEE SHEET 1	-	-	-



RECOMMENDED PCB CONFIGURATION  
 WITH KEEP-OUT AREAS FOR BELLY TO BELLY APPLICATION  
 SAME AS SINGLE SIDED APPLICATION, EXCEPT AS SHOWN  
 SCALE 5:1

THIS DRAWING IS A CONTROLLED DOCUMENT. DIMENSIONING AND TOLERANCING PER ASME Y14.5M-2009		OWN: REVIN 24JUL2015	TE Connectivity
DIMENSIONS: mm		CHK: SEAN HAN 24JUL2015	
TOLERANCES UNLESS OTHERWISE SPECIFIED: 0 PLC ±0.1 1 PLC ±0.1 2 PLC ±0.08 3 PLC ±0.05 4 PLC ± ANGLES ±1°		APVD: SEAN HAN 24JUL2015	NAME: CAGE ASSEMBLY, PRESS-FIT, EMI SPRINGS, 1X8, zSFP+
MATERIAL: SEE NOTES		FINISH: SEE NOTES	RESTRICTED TO: -
CUSTOMER DRAWING		SCALE: 4:1	SHEET 6 OF 6 REV: B1

## X-ON Electronics

Largest Supplier of Electrical and Electronic Components

*Click to view similar products for [I/O Connectors](#) category:*

*Click to view products by [TE Connectivity](#) manufacturer:*

Other Similar products are found below :

[571763P](#) [58098-0628](#) [72.250.1628.2](#) [72.250.2428.2](#) [74720-0505](#) [76.350.0729.0](#) [76871-1403](#) [FCN-244F080-G/1](#) [FCN-260A9920](#) [PCR-E36PM](#) [PCS-XE26MA+](#) [G38A71314B](#) [DX40-50P\(55\)](#) [1571250010](#) [157-22500-3](#) [MS3471L14-19P L/C](#) [91-569786-35H](#) [172501-4002](#) [172501-6002](#) [FCN-260C008-A/L0](#) [FCN-260C024-AL0](#) [FCN-261Z008](#) [2000314-1](#) [200331-1](#) [PCR-E36FC+](#) [PCS-E28FS+](#) [PCS-XE26SLFD+](#) [PCS-XE26SLFDT+](#) [G730VID08BDC24](#) [U90B2054081210](#) [UE86K842720321](#) [38113800006](#) [DP3AR020WQ1R200](#) [Z4.102.0680.0](#) [500-1040](#) [500-1052](#) [500-1054](#) [ZP-4008-66L](#) [0709821002](#) [10-565995-597N](#) [DX40-20P\(55\)](#) [5554841-1](#) [MS3474W18-8P-LC\\*](#) [U90B3054061110](#) [U65-E04-4020](#) [ZPF000000000097891](#) [557-262M2-06C](#) [747360449](#) [10099439-003C-TRLF](#) [10137239-0021LF](#)