

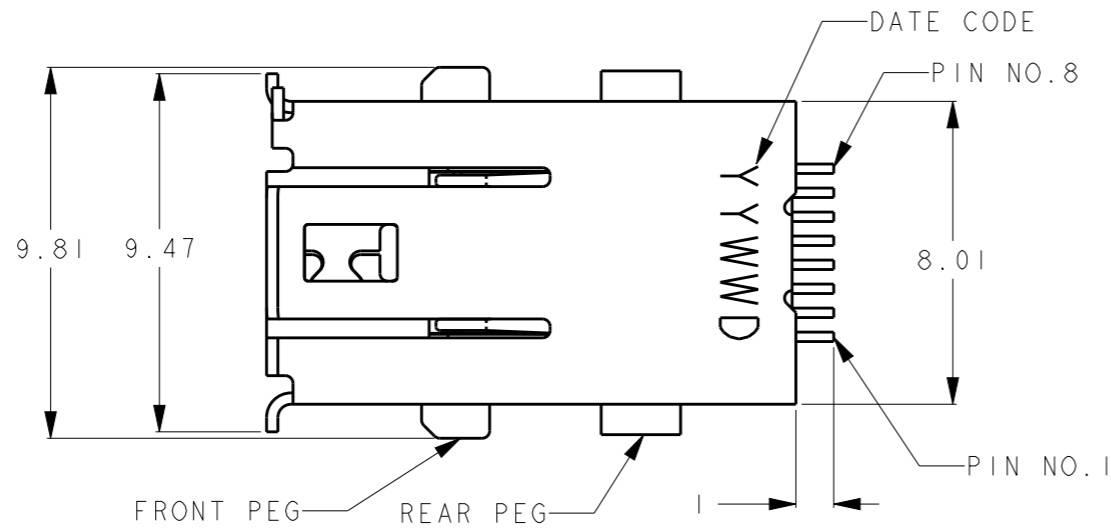
THIS DRAWING IS UNPUBLISHED. RELEASED FOR PUBLICATION 2016

© COPYRIGHT 2016 BY Tyco Electronics Japan G.K. ALL RIGHTS RESERVED.

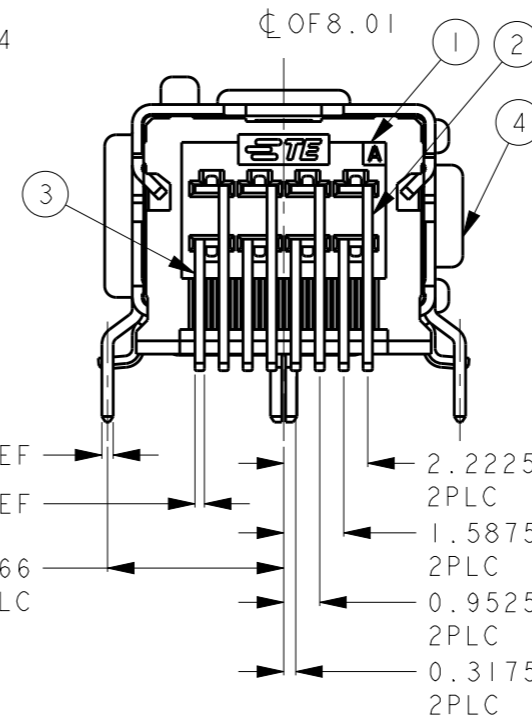
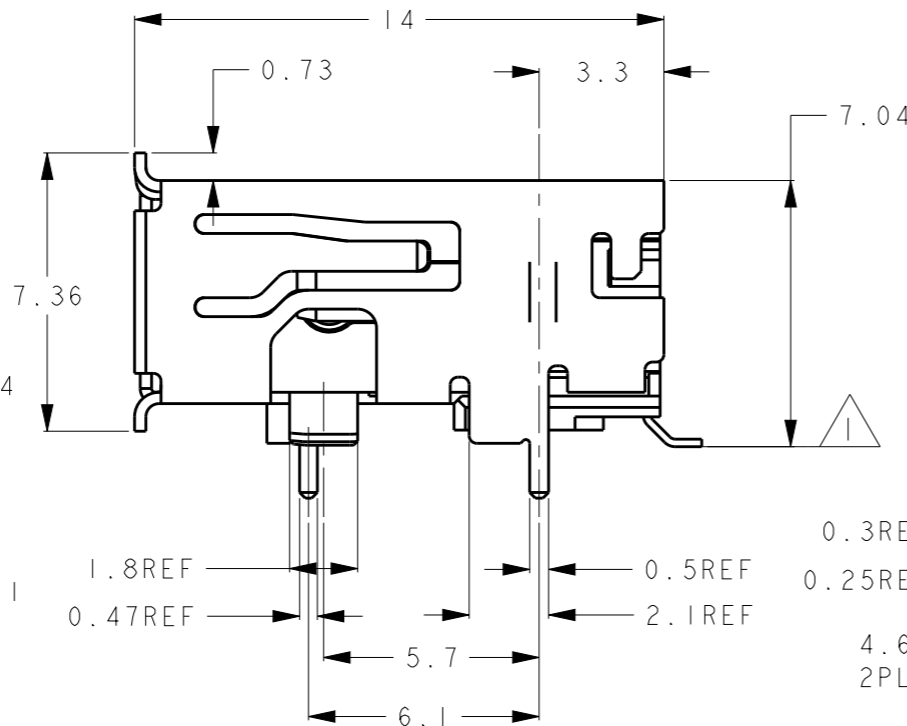
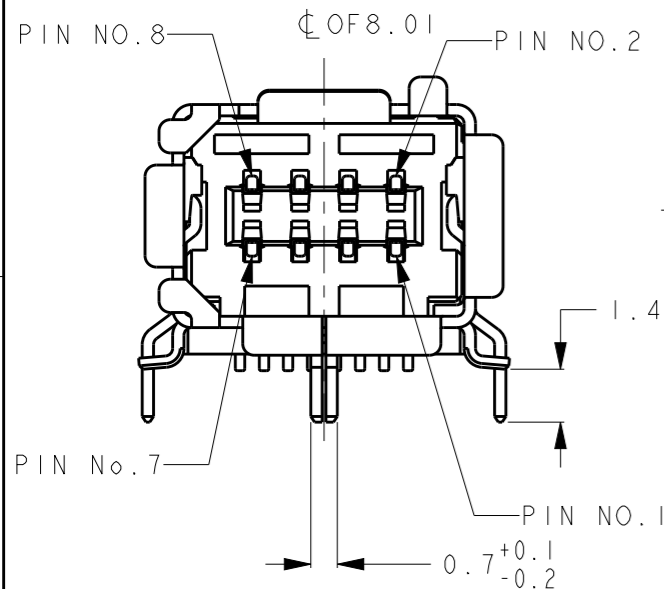
-1: AS SHOWN

REVISIONS

P	LTR	DESCRIPTION	DATE	DWN	APVD
A		RELEASED	28JUN2016	T.S	N.Y
B		REVISED	11JUL2016	T.S	N.Y
B1		RELEASED PER ECR-18-009389	18JUN2018	PP	YO
B2		ADDED NEW PART VARIANT 3--1 AND 3--2	19OCT2020	SS	JDB



P/N	D-SHAPE	HOUSING COLOR
3-2294417-2	TYPE II	BLACK
3-2294417-1	TYPE I	BLACK
2294417-4	TYPE II	NATURAL
2294417-2	TYPE II	BLACK
2294417-1	TYPE I	BLACK



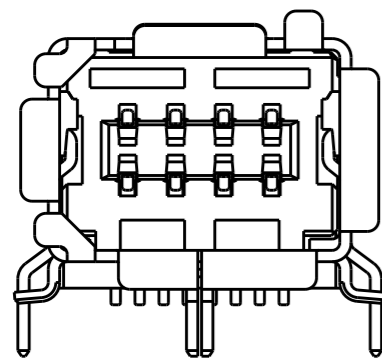
1 COPLANARITY: 0.08MAX (FRONT PEG, CONTACT)

2 DIMENSION DECIDED BY CUSTOMER

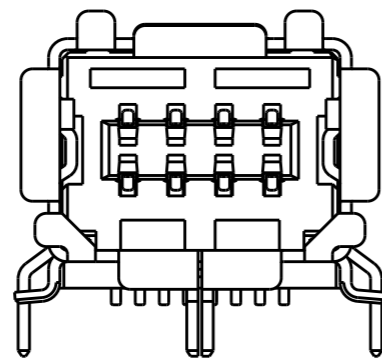
3. PRODUCT QUANTITY : 300/REEL

PRELIMINARY
PRELIMINARY

DESCRIPTION	ITEM
HDR SHELL TYPE II MATERIAL: SUS UNDER ALL SURFACE Ni 0.00127MIN ALL SURFACE Sn 0.002MIN	4
HDR SHELL TYPE I MATERIAL: SUS UNDER ALL SURFACE Ni 0.00127MIN ALL SURFACE Sn 0.002MIN	4
HDR LOWER CONTACT MATERIAL: COPPER ALLOY UNDER ALL SURFACE Ni 0.00127MIN CONTACT AREA Au 0.76µm MIN SOLDERING AREA Sn 0.002MIN	3
HDR LOWER CONTACT MATERIAL: COPPER ALLOY UNDER ALL SURFACE Ni 0.00127MIN CONTACT AREA Au 0.5µm MIN SOLDERING AREA Sn 0.002MIN	2
HDR UPPER CONTACT MATERIAL: COPPER ALLOY UNDER ALL SURFACE Ni 0.00127MIN CONTACT AREA Au 0.76µm MIN SOLDERING AREA Sn 0.002MIN	2
HDR UPPER CONTACT MATERIAL: COPPER ALLOY UNDER ALL SURFACE Ni 0.00127MIN CONTACT AREA Au 0.5µm MIN SOLDERING AREA Sn 0.002MIN	2
HDR HOUSING MATERIAL: THERMO PLASTIC(UL94 V-0) COLOR: NATURAL	1
HDR HOUSING MATERIAL: THERMO PLASTIC(UL94 V-0) COLOR: BLACK	1
DESCRIPTION	ITEM



TYPE I



TYPE II

THIS DRAWING IS A CONTROLLED DOCUMENT.

DIMENSIONS: 単位: ㎜	TOLERANCES UNLESS OTHERWISE SPECIFIED:
mm	一般公差 ±0.3
	0 PLC ±
	1 PLC ±
	2 PLC ±
	3 PLC ±
	4 PLC ±
	ANGLES ±5°

MATERIAL 材料 FINISH 仕上

DWN 28JUN2016
T. SHIMOYASU
CHK 28JUN2016
E. TAKEMASA
APVD 28JUN2016
N. YAMASAKI

PRODUCT SPEC
製品規格
108-78405
APPLICATION SPEC
取付適用規格
114-32132
WEIGHT
1.08g

CUSTOMER DRAWING



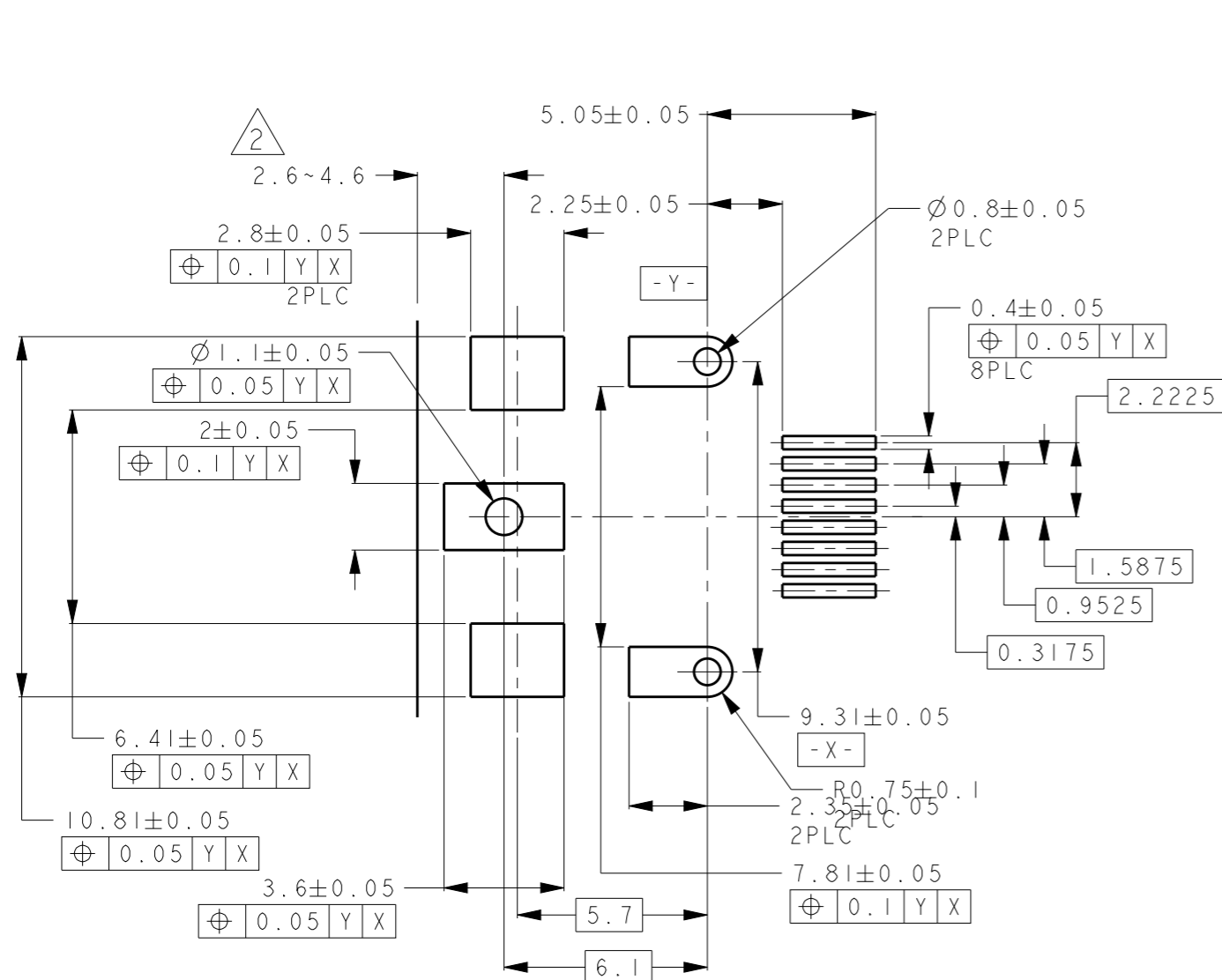
INDUSTRIAL MINI I/O CONN.
1.27MM PITCH 8P HDR ASSY SMT EMBOSS

SIZE A3 CAGE CODE - DRAWING NO. C-2294417 RESTRICTED TO -

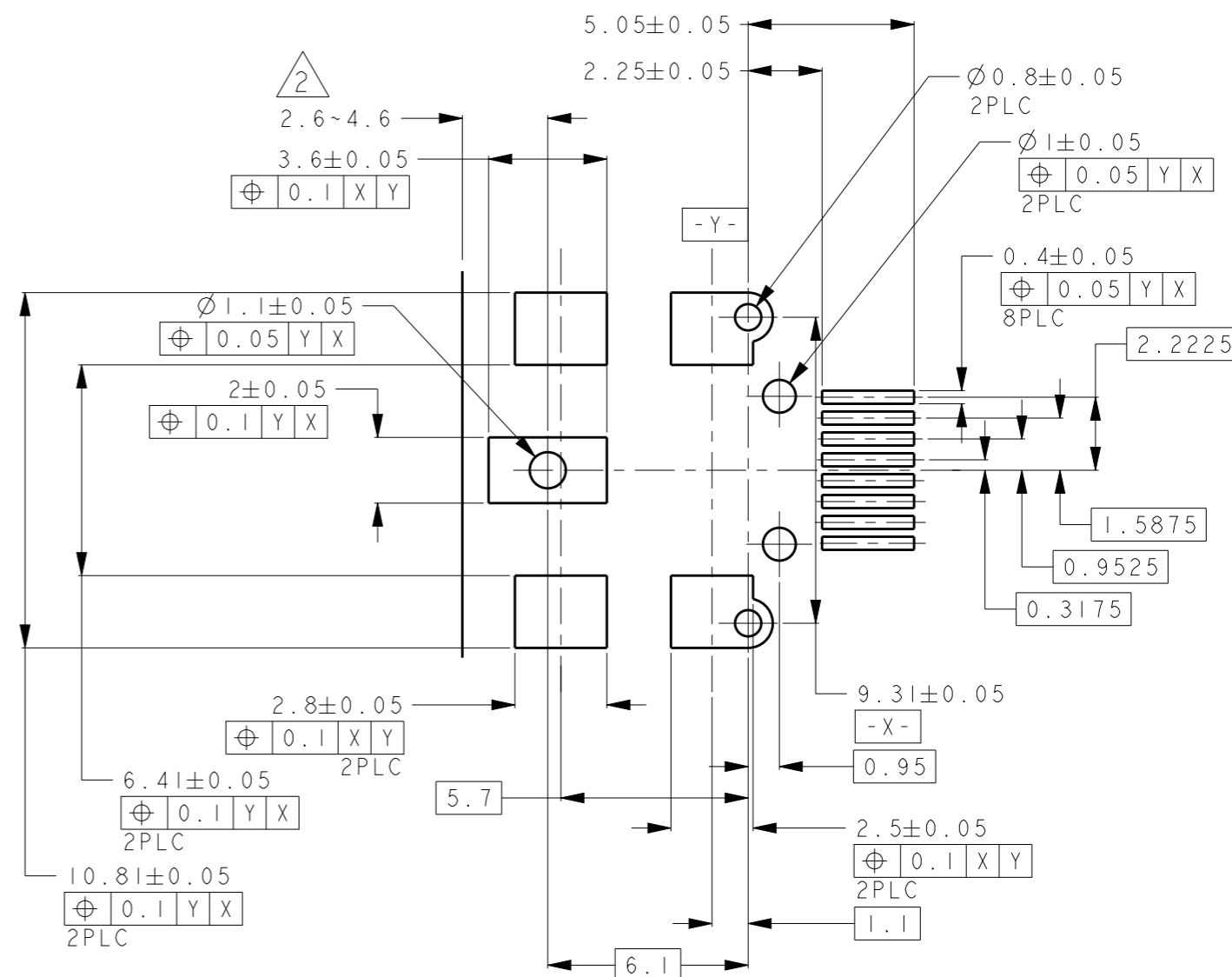
SCALE 5:1 SHEET 1 OF 3 REV B2

REVISIONS


P	LTR	DESCRIPTION	DATE	DWN	APVD
		SEE SHEET 1			



REFERENCE PCB DIMENSIONS (STANDARD) t=1.6±0.1



REFERENCE PCB DIMENSIONS (SAME AS 1981080-1/1981386-1) t=1.6±0.1

THIS DRAWING IS A CONTROLLED DOCUMENT.		DWN	 TE Connectivity	
DIMENSIONS: 単位: 耗 mm		CHK		
TOLERANCES UNLESS OTHERWISE SPECIFIED: 一般公差 ±0.3		APVD		
0-PLC ± 1-PLC ± 2-PLC ± 3-PLC ± 4-PLC ± ANGLES ±5°		PRODUCT SPEC 製品規格	NAME 名称 INDUSTRIAL MINI I/O CONN. 1.27MM PITCH 8P HDR ASSY SMT EMBOSS	
MATERIAL 材料		FINISH 仕上	APPLICATION SPEC 取付適用規格	RESTRICTED TO
		WEIGHT	SIZE A3	CAGE CODE -
		CUSTOMER DRAWING	DRAWING NO. 番号 C-2294417	SCALE 尺度 4:1
			SHEET 2 OF 3	REV B2

THIS DRAWING IS UNPUBLISHED.

RELEASED FOR PUBLICATION

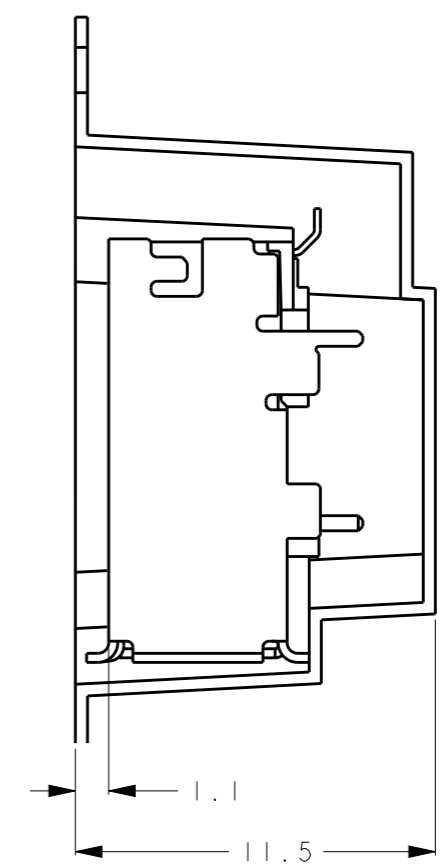
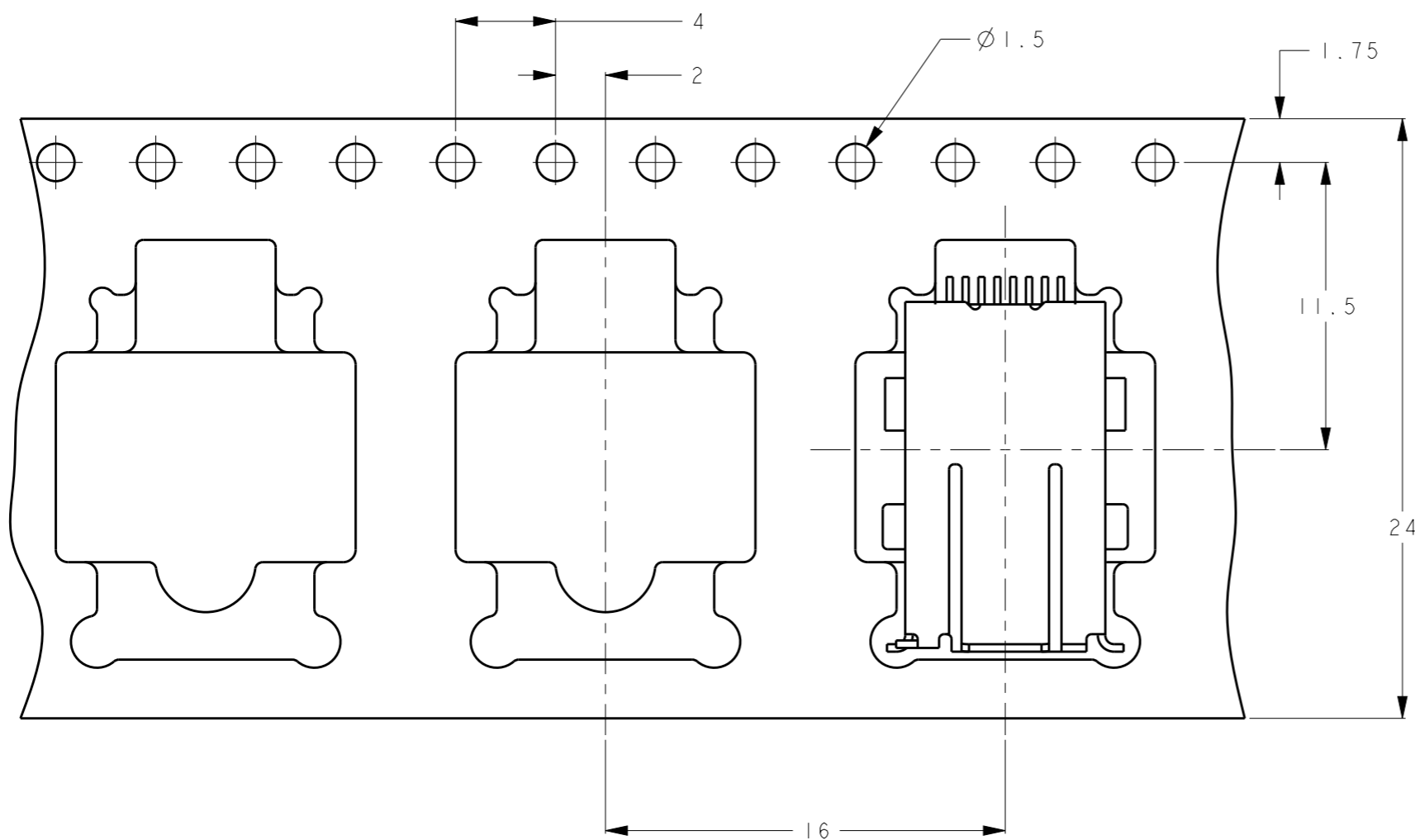
2016

© COPYRIGHT 2016 BY Tyco Electronics Japan G.K. ALL RIGHTS RESERVED.

REVISIONS

変更

P	LTR	DESCRIPTION	DATE	DWN	APVD
		SEE SHEET 1			



EMBOSS TAPE

THIS DRAWING IS A CONTROLLED DOCUMENT.

DIMENSIONS: 単位: 耗 mm		TOLERANCES UNLESS OTHERWISE SPECIFIED:	
		一般公差	± 0.5
		0 PLC	\pm
		1 PLC	\pm
		2 PLC	\pm
		3 PLC	\pm
MATERIAL 材料		FINISH 仕上	$\pm 5^\circ$

DWN
CHK
APVD
PRODUCT SPEC 製品規格
APPLICATION SPEC 取付適用規格
WEIGHT
CUSTOMER DRAWING

STE TE Connectivity

NAME
名称 INDUSTRIAL MINI I/O CONN.
1.27MM PITCH 8P HDR ASSY SMT EMBOSS

SIZE A3	CAGE CODE -	DRAWING NO 番号 C-2294417	RESTRICTED TO -
SCALE 尺度 4:1		SHEET 3 OF 3	REV B2

X-ON Electronics

Largest Supplier of Electrical and Electronic Components

Click to view similar products for [Modular Connectors / Ethernet Connectors](#) category:

Click to view products by [TE Connectivity](#) manufacturer:

Other Similar products are found below :

[8949-H88/06BLKA/SN](#) [74441-0010/BKN](#) [PHP-6P6C-5](#) [GAX-3-66](#) [GDCX-PN-66](#) [GLX-A-44](#) [GLX-N-1010M-BLK](#) [GLX-S-88M-BLK](#)
[GMX-SMT4-N-88](#) [GSGX-N-2-88](#) [GSGX-N-4-88](#) [GSX-NS2-88-3.05](#) [GSX-NS-88-3.68](#) [PT-108A-8C-UL](#) [PTS-J531-8CS-50UL](#) [A-2014-0-4](#)
[GWLX-S9-88-YG](#) [DC-1021-8-WH-6](#) [1300530003](#) [1324640-4](#) [132764-001](#) [1413235](#) [MPS88RX-5000](#) [E5288-S000K3-L](#) [155302-001](#)
[AX101050](#) [AX101063](#) [AX101065](#) [AX101072](#) [AX101307](#) [AX101315](#) [AX101318](#) [AX102271](#) [AX102651](#) [AX102660](#) [AX104024](#) [203475](#)
[J0026D01ENL](#) [PC4D0018P](#) [KIT38082NI](#) [8949-B88/6](#) [2-6609208-5](#) [30-8603](#) [30-8956](#) [30-8964-100](#) [SM85](#) [17-103540](#) [191587](#) [PDI-68-RV](#)
[PHP-8P8C-S-5](#)