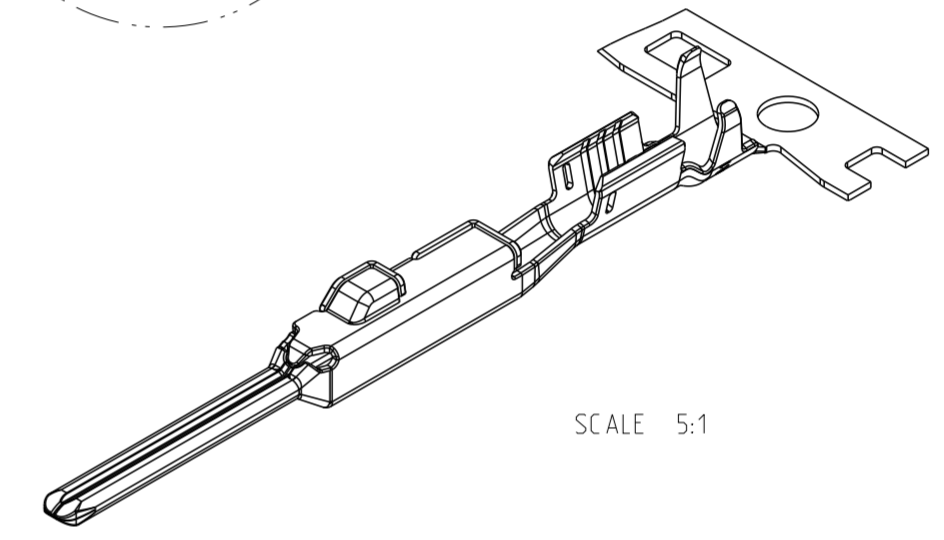
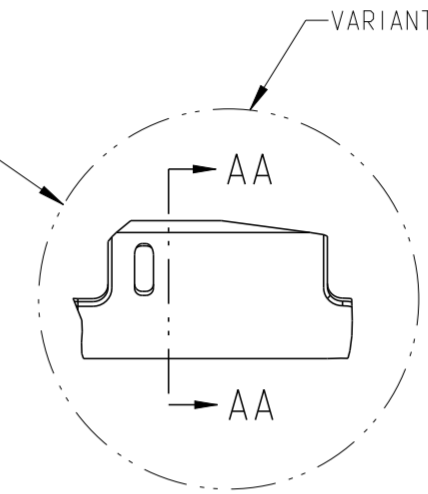
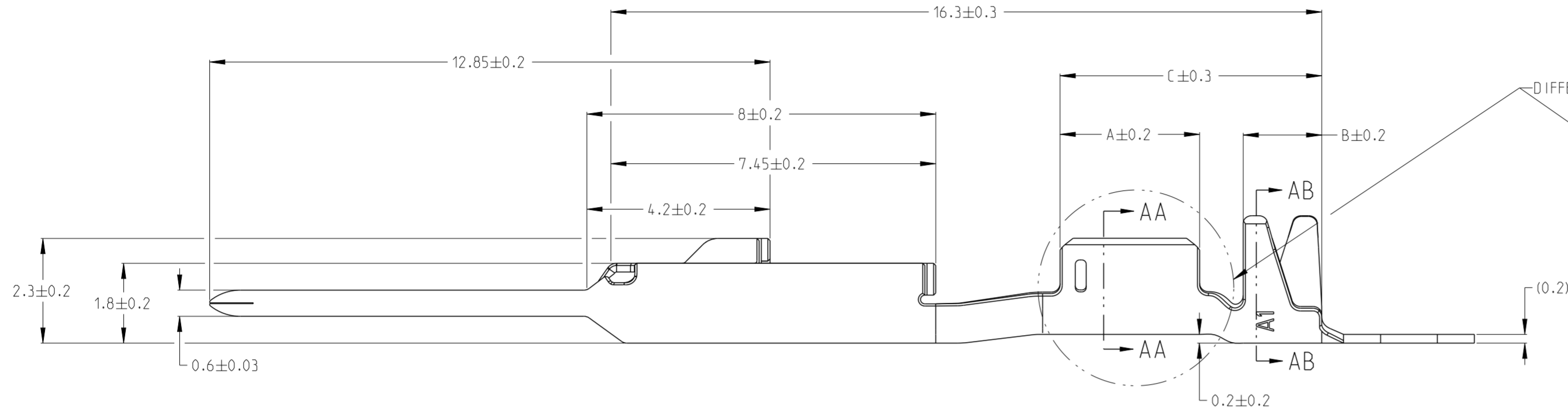
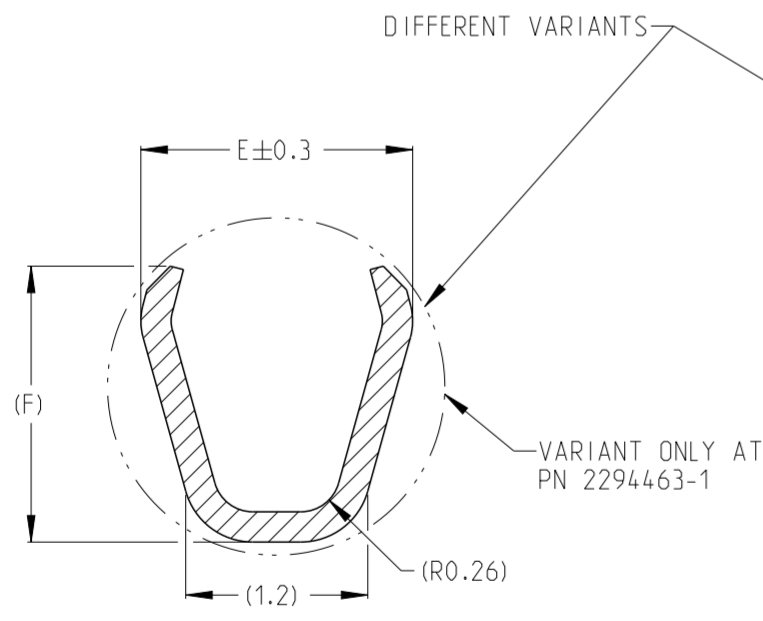
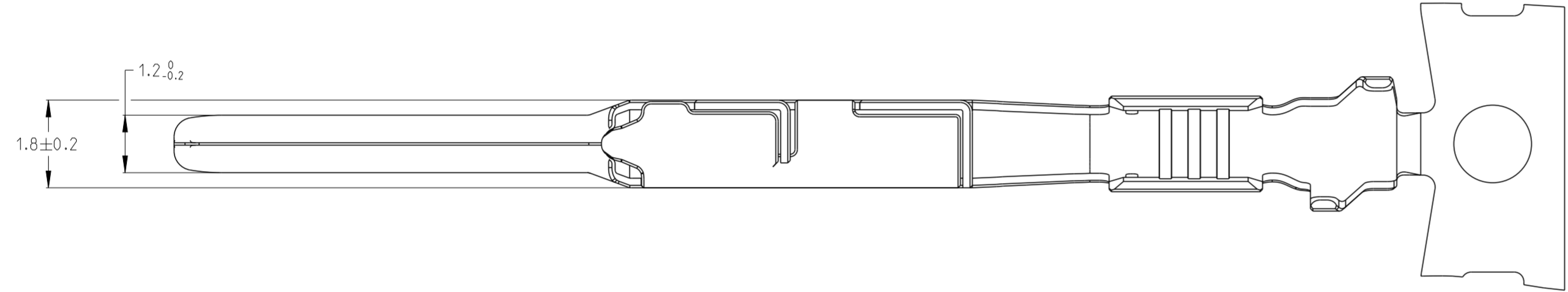


THIS DRAWING IS UNPUBLISHED. RELEASED FOR PUBLICATION 2016
 © COPYRIGHT 2016 BY TE CONNECTIVITY SHANGHAI, CHINA ALL RIGHTS RESERVED.

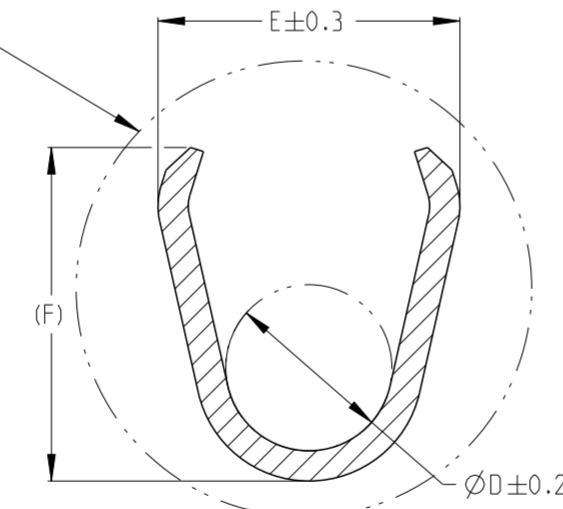
REVISIONS					
P	LTR	DESCRIPTION	DATE	DWN	APVD
	A	NEW DRAWING	28MAR2017	F.Y	I.Y



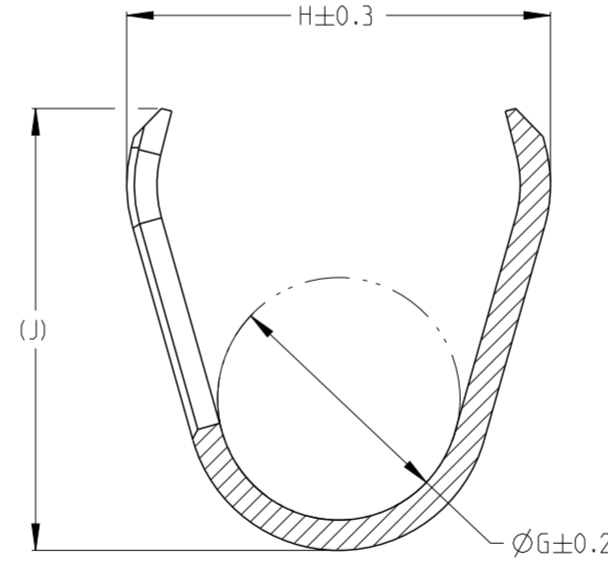
SCALE 5:1



SECTION AA-AA SCALE 20:1



SECTION AA-AA SCALE 20:1

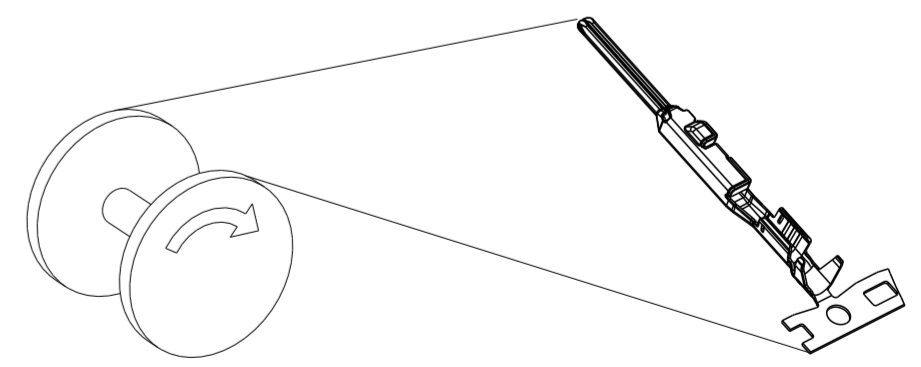


SECTION AB-AB SCALE 20:1

NOTES:

1. TERMINALS DESIGNED TO BE USED WITH FLR CABLE.
2. MAX. 9 TERMINALS MISSING PER REEL PERMITTED.
3. 3 LOOSE SPLICES PER REEL PERMITTED.

REELING DIRECTION



PART NUMBER	REVISION	WIRE RANGE	INSULATION-Ø	MATERIAL	FINISH	A	B	C	D	E	F	G	H	J
						LENGTH			WIRE CRIMP			INSULATION CRIMP		
2294463-3	A	1.0~1.5mm ²	1.9~2.4	BRASS	PRE-TIN	3.4	2.0	6.4	1.5	2.7	2.8	2.25	3.6	3.7
2294463-2	A	0.5~0.75mm ²	1.4~1.9	BRASS	PRE-TIN	3.2	1.8	6.0	1.1	2.0	2.2	1.6	2.8	2.9
2294463-1	A	0.22~0.35mm ²	1.1~1.4	BRASS	PRE-TIN	2.9	2.0	6.0	-	1.8	1.8	1.3	2.35	2.5

THIS DRAWING IS A CONTROLLED DOCUMENT.		DWN F.YU 28MAR2017
DIMENSIONS: mm		CHK W.ZHANG 28MAR2017
TOLERANCES UNLESS OTHERWISE SPECIFIED:		APVD J.YIN 28MAR2017
0 PLC ±		PRODUCT SPEC
1 PLC ±		108-101426
2 PLC ±		APPLICATION SPEC
3 PLC ±		114-101043
4 PLC ±		WEIGHT
ANGLES ±		-
FINISH ±		CUSTOMER DRAWING
-		-

DWN F.YU 28MAR2017		TE Connectivity	
CHK W.ZHANG 28MAR2017		NAME MALE TERMINAL, TIN PLATED, REM MONO 1.2, CLEAN BODY	
APVD J.YIN 28MAR2017		SIZE A2	RESTRICTED TO -
PRODUCT SPEC 108-101426		CAGE CODE -	DRAWING NO C-2294463
APPLICATION SPEC 114-101043		SCALE 10:1	SHEET 1 OF 1
WEIGHT -		REV A	

X-ON Electronics

Largest Supplier of Electrical and Electronic Components

Click to view similar products for [Terminals](#) category:

Click to view products by [TE Connectivity](#) manufacturer:

Other Similar products are found below :

[00-054007-01074-6](#) [00-054007-70206-1](#) [00-054007-70210-8](#) [00-054007-70217-7](#) [00-054007-70228-3](#) [00-054007-70256-6](#) [00-054007-70316-7](#) [00-054007-49560-4](#) [00-054007-70209-2](#) [00-054007-70231-3](#) [00-054007-70241-2](#) [00-054007-70242-9](#) [00-054007-70246-7](#) [00-054007-70263-4](#) [00-054007-70288-7](#) [00-054007-70290-0](#) [00-054007-70300-6](#) [00-054007-70304-4](#) [01-2900-1-04412](#) [00581P0075](#) [600TS-10](#) [605601-1](#) [60598-1-CUT-TAPE](#) [60617-1-C](#) [61314-6-C](#) [61810-3](#) [626-0194](#) [63-S](#) [M55155/059I03](#) [M55155/079C01](#) [M55155/099B03](#) [M55155/099H02](#) [M55155/109H01](#) [M55155/12XH05](#) [M55155/29-5S](#) [M55155/29XJ08](#) [M55155/30-6S](#) [M55155/30-9S](#) [M55155/30XI09](#) [M6-14RSX](#) [696683-1](#) [696861-1](#) [696999-1](#) [M86700006](#) [D18-110B-C](#) [D18-110B-M](#) [701-1936](#) [701-1955](#) [701-2003](#) [701-2007](#)