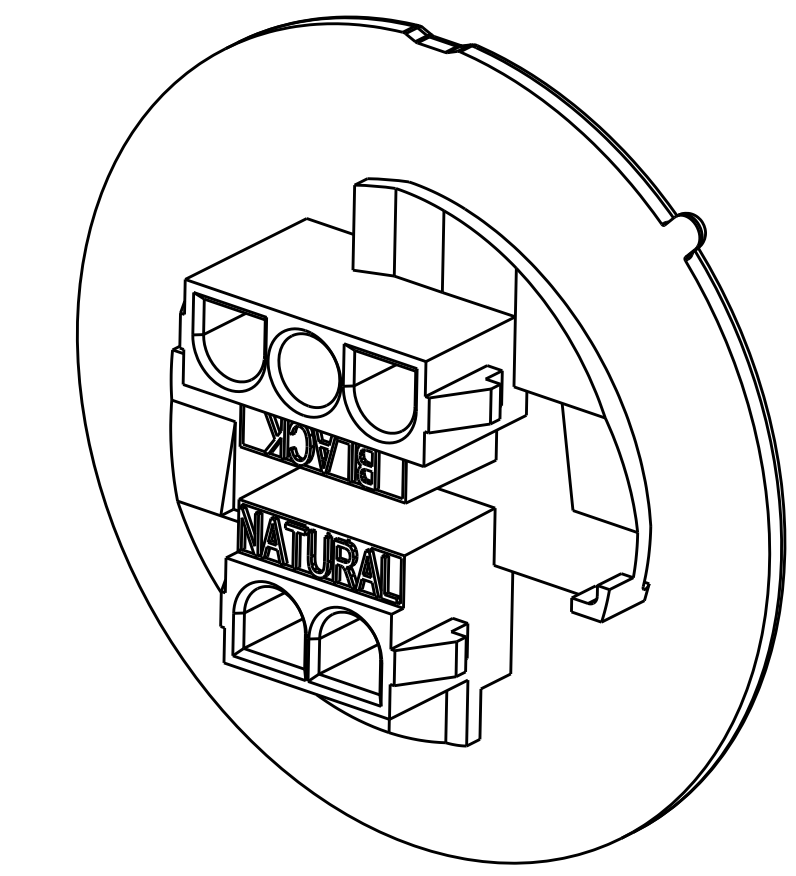
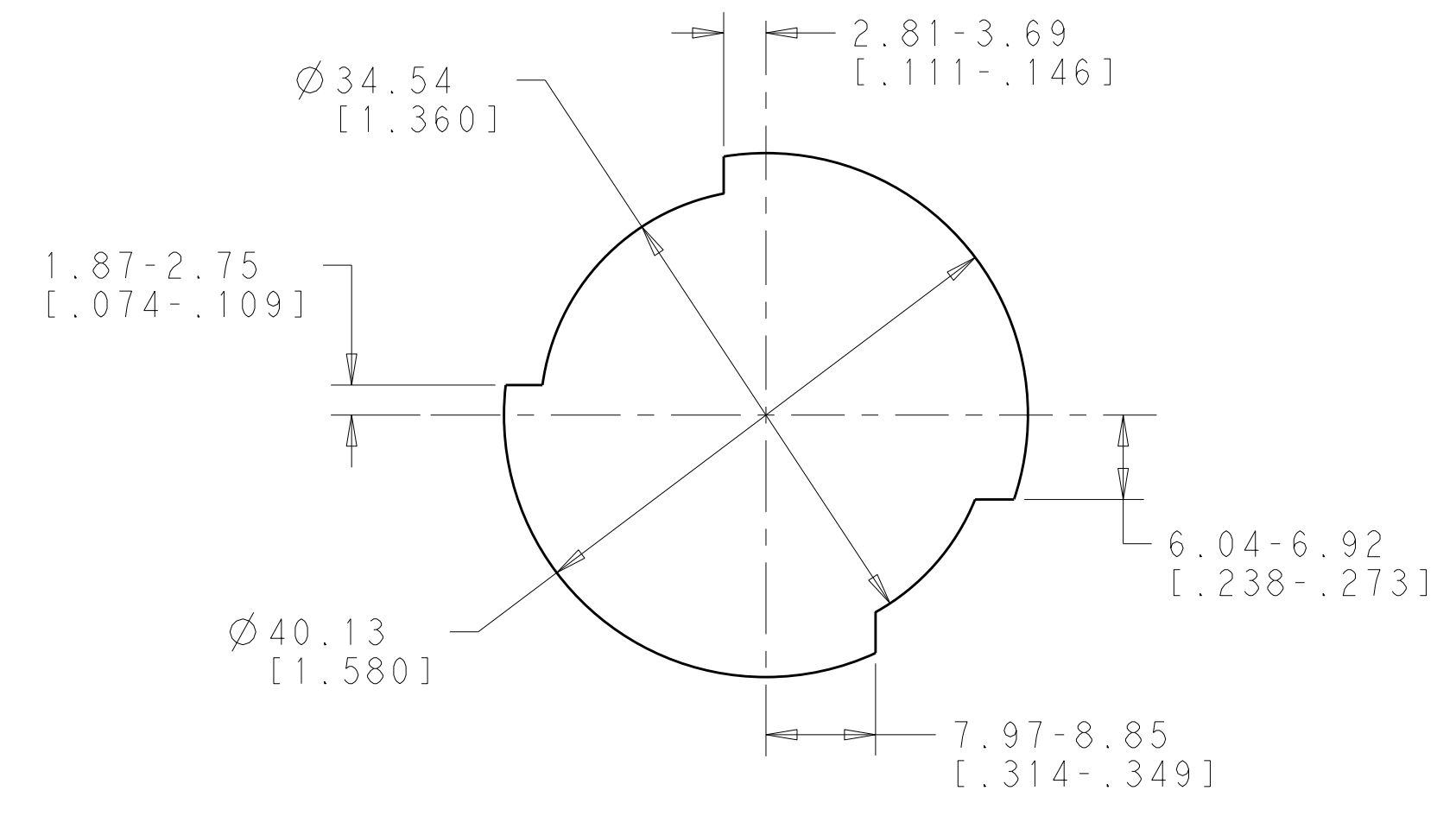
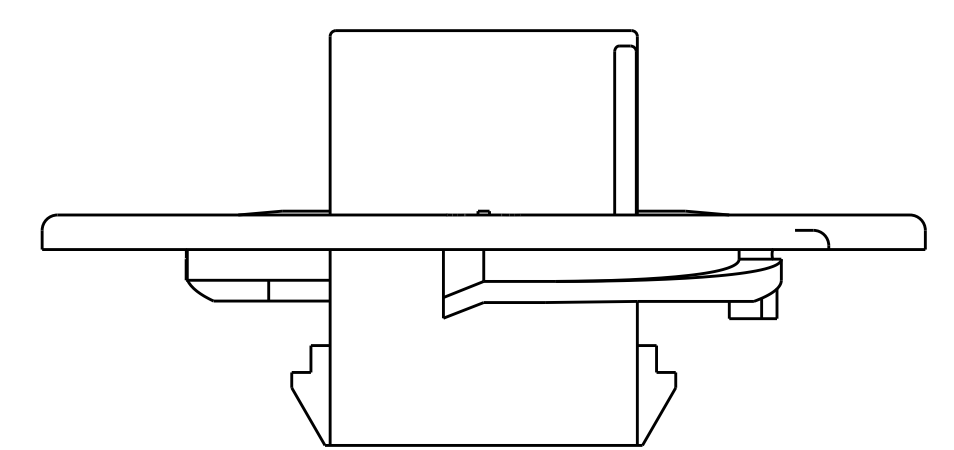
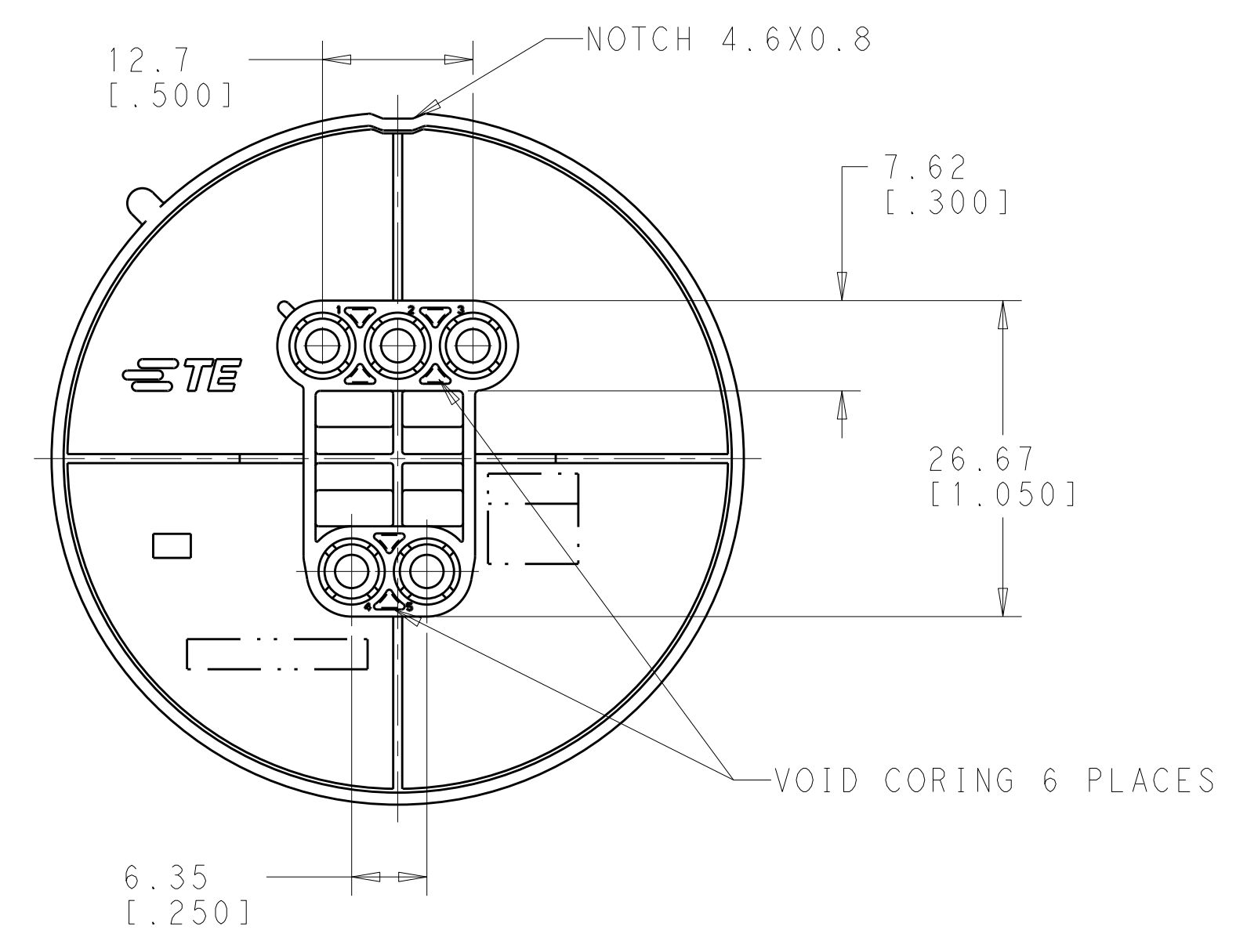
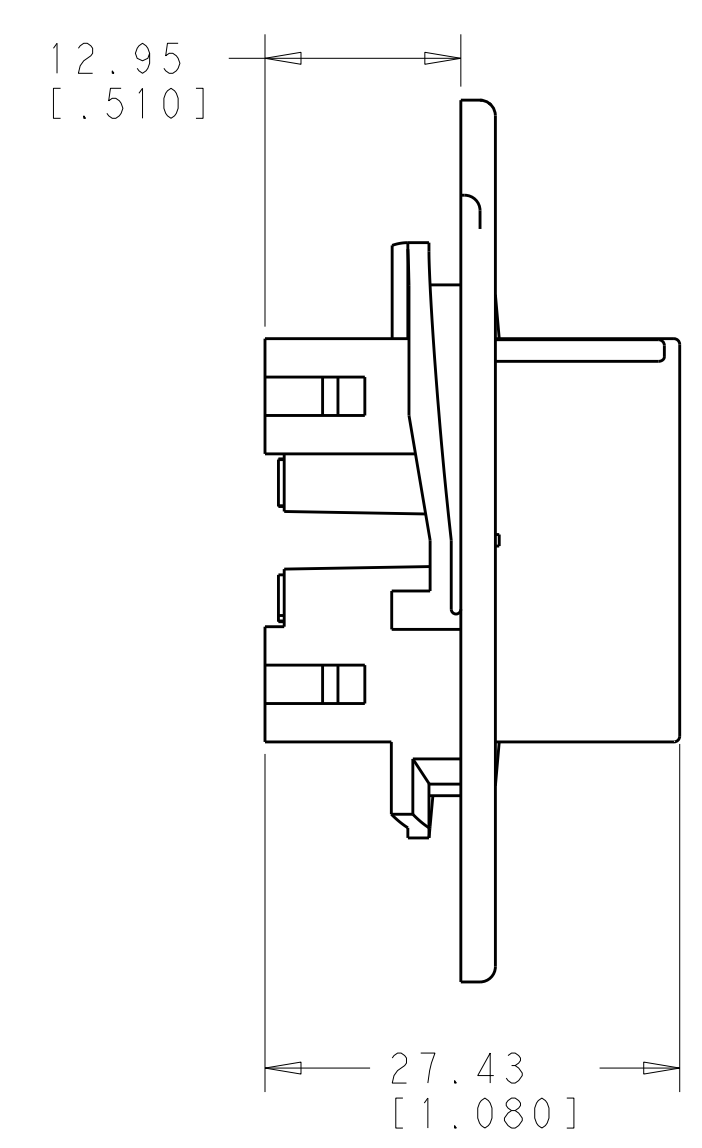
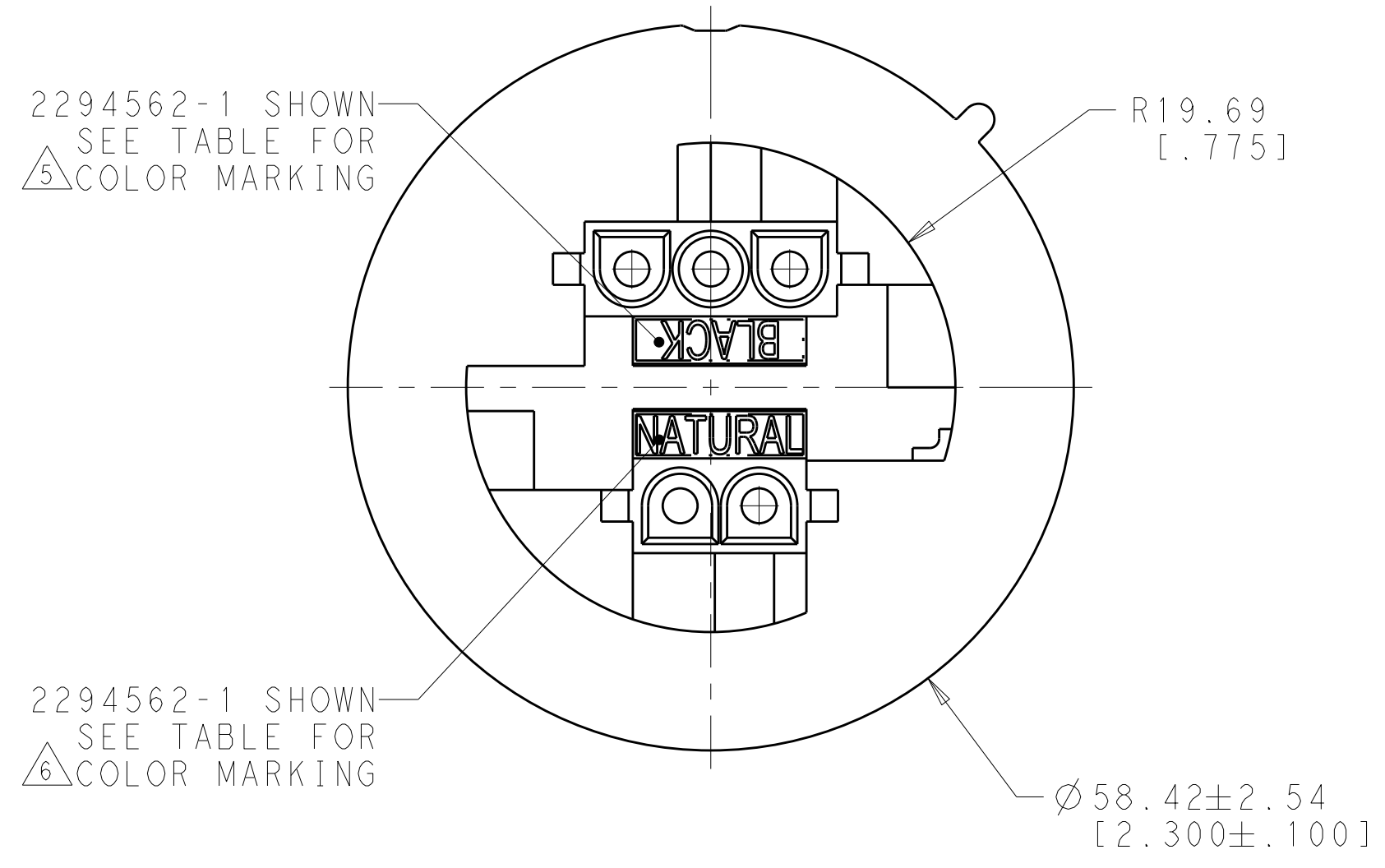


REVISIONS				
REV	DATE	DESCRIPTION	BY	APP'D
B	15DEC2017	REVISED PER ECR-17-017770	BW	SF



RECOMMENDED PANEL CUTOUT \triangle



- 1 MATES WITH APPROPRIATE 2 POSITION AND 3 POSITION UNIVERSAL MATE-N-LOK PLUG HOUSINGS.
- \triangle 2 RECOMMENDED PANEL THICKNESS 0.76-1.91 [.030-.075].
- 3 PANEL MUST BE PUNCHED SO THAT THE HOUSING ENTERS THE PANEL IN THE SAME DIRECTION AS THE PUNCH.
- 4 DIMENSIONS SHOWN REPRESENT PRODUCT IN DRY, AS MOLDED, CONDITION. ADDITIONAL 2% GROWTH DUE TO SUBSEQUENT MOISTURE ABSORPTION MAY OCCUR AND SHOULD BE ACCOUNTED FOR.
- \triangle 3 3 POSITION MATING PART COLOR CODING MARKING, SEE TABLE.
- \triangle 2 2 POSITION MATING PART COLOR CODING MARKING, SEE TABLE.
- \triangle 7 THIS PRODUCT HAS NOT COMPLETED QUALIFICATION TESTING.

BROWN	RED	RED	2294562-2
NATURAL	BLACK	NATURAL	2294562-1
\triangle 2 POSITION 6 COLOR MARKING	\triangle 3 POSITION 5 COLOR MARKING	RESIN COLOR	PART NO.
THIS DRAWING IS A CONTROLLED DOCUMENT.		DWN RODNEY SMITH 12APR16 CHN EVAN WICKES 12APR16 APVD EVAN WICKES 12APR16	
DIMENSIONS: IN 9 PLC ± 3 PLC ±0.51 [.020] 5 PLC ±0.51 [.020] 4 PLC ± ANGLES ±		PRODUCT SPEC 108-1031 APPLICATION SPEC 114-1010 WEIGHT - FINISH -	
MATERIAL NYLON, V2		NAME CAP, 2 AND 3 CIRCUIT UNIVERSAL MATE-N-LOK, SPECIAL SIZE CAGE CODE DRAWING NO. A1 - C=2294562 RESTRICTED TO - SCALE 2:1 SHEET 1 OF 1 REV B	
CUSTOMER DRAWING			

X-ON Electronics

Largest Supplier of Electrical and Electronic Components

Click to view similar products for [Heavy Duty Power Connectors](#) category:

Click to view products by [TE Connectivity](#) manufacturer:

Other Similar products are found below :

[647757-1](#) [6643411-1](#) [6646058-2](#) [6646137-1](#) [6646138-1](#) [6646608-1](#) [6646786-1](#) [6646940-1](#) [6651091-1](#) [6651525-1](#) [6651529-1](#) [6651788-1](#)
[696475-1](#) [702-32-01109](#) [703-25-02205](#) [73000005059](#) [73000005642](#) [73080254296](#) [73080255059](#) [73080965046](#) [765-15-0080A](#)
[765-16-0080B](#) [765-18-0080D](#) [902-77-02113](#) [PS00/A0620/6300](#) [129-1J](#) [1409400](#) [E6374G1](#) [e6389g2](#) [157-43GW8](#) [MS3117-14AC](#) [1643543-1](#)
[1650540-1](#) [1651811-2](#) [1766260-1](#) [1766282-1](#) [1766966-1](#) [1791340000](#) [NLDFT-3-BL-L-S120-M40A](#) [NLDFT-N-W-L-C240-M40B](#) [1926015-](#)
[1](#) [NLS-N-W-C240-M40B](#) [2-1589900-8](#) [2199314-1](#) [KA8102](#) [9300480317](#) [29131](#) [294-0091-01100](#) [296-0040-01100](#) [1646905-1](#)