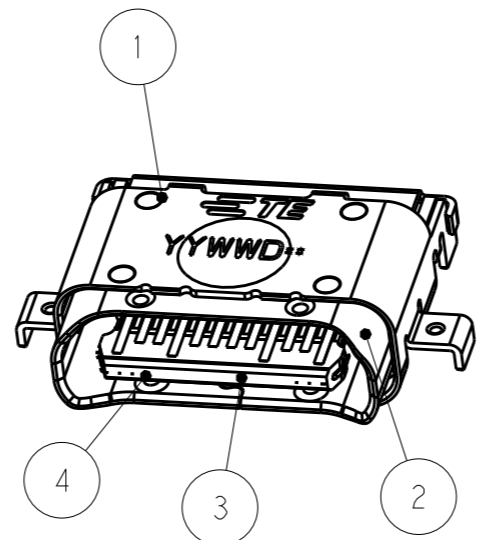
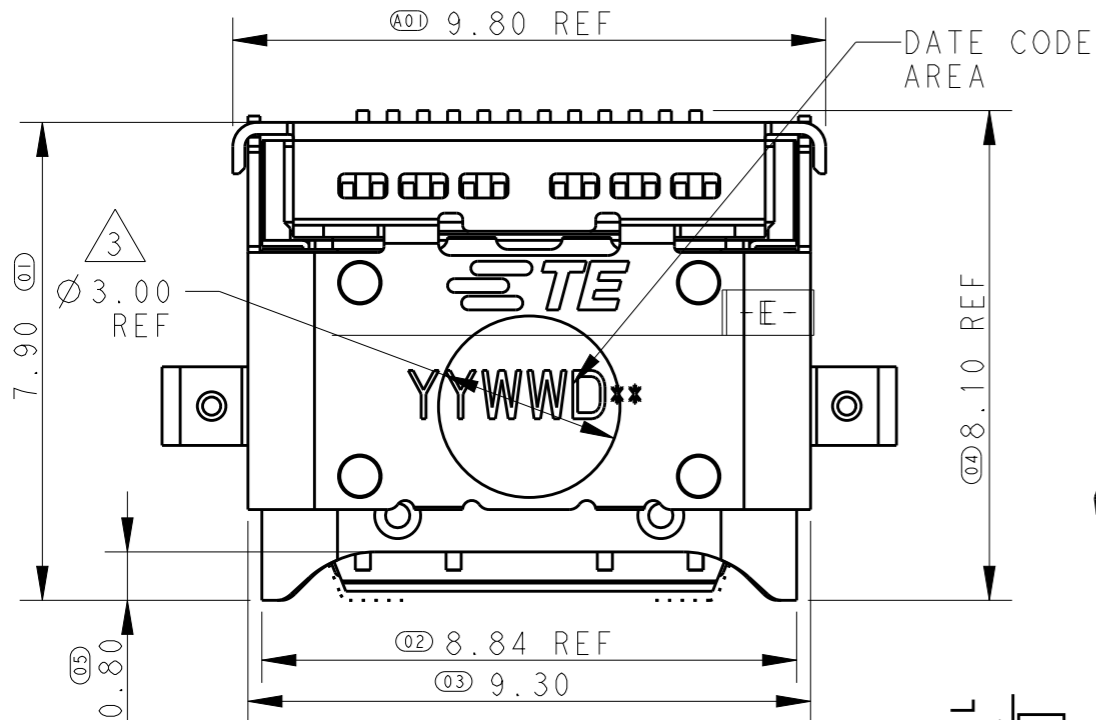


THIS DRAWING IS UNPUBLISHED. RELEASED FOR PUBLICATION 20
 © COPYRIGHT 20 BY - ALL RIGHTS RESERVED.

REVISIONS				
P	LTR	DESCRIPTION	DATE	APVD
A		REVISED	07APR2017	A.X H.WU
A1		REVISED PER ECR-17-004423	13NOV2017	S.ZH S.L
B		REVISED PER ECR-18-010233	T.Z	S.L

SHOWN AS; 2295018-2



- NOTES:
 1. MATERIAL : SEE TABLE "A"
 2. FINISH : SEE TABLE "A"
 3. PICKING AREA
 4. DATE CODE
 5. FEATURES IDENTIFIED AS STATISTICALLY TOLERANCED (ST)

DAY SHIFT OR NIGHT SHIFT
 YYWWD**
 ASSY LINE NO. A,B,C,***

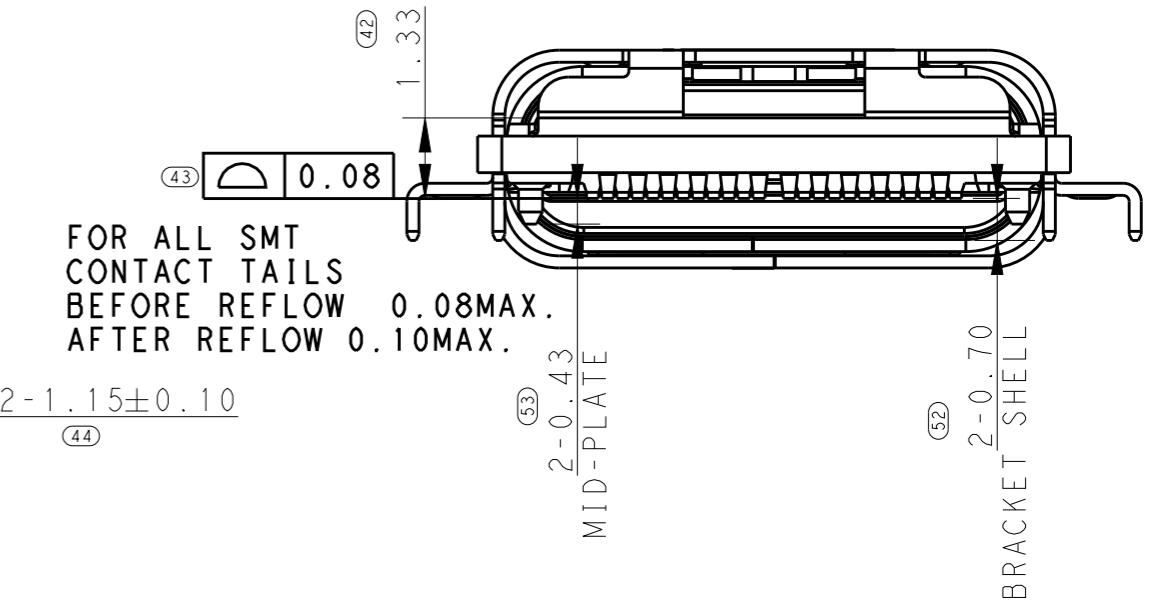
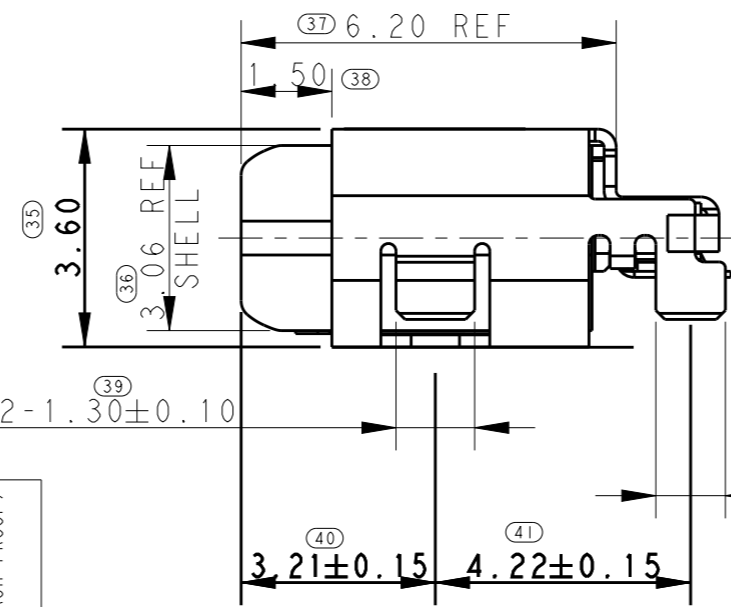
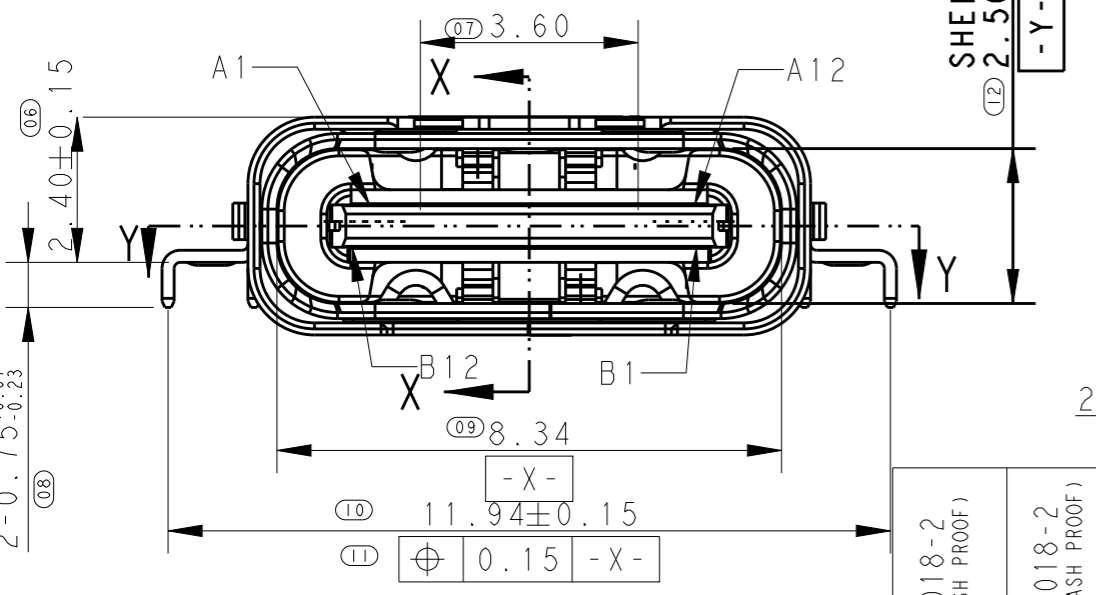


TABLE "A"

2295018-2 (SPLASH PROOF)
 1-2295018-2 (NONE SPLASH PROOF)

ITEM	DESCRIPTION	MATERIAL AND FINISH	Q'TY	Q'TY
-	PACKAGE	-	-	-
11	POTTING	SILICONE	1	1
10	MYLAR	POLYIMIDE TAPE	1	-
9	LOWER CONTACT	ALLOY. CONTACT AREA:0.75um MIN Au PLATED. SOLDER AREA:GOLD FLASH.	1	1
8	UPPER CONTACT	ALL OVER:1.27 um MIN NI PLATED	1	1
7	LOWER CONTACT IM	HIGH TEMPERATURE PLASTIC,BLACK, UL94V-0	1	1
6	UPPER CONTACT IM	HIGH TEMPERATURE PLASTIC,BLACK, UL94V-0	1	1
5	INNER SHELL	STAINLESS STEEL, CLEANING	2	2
4	MID-PLATE	STAINLESS STEEL, OVER ALL, 1.27um MIN NI PLATED.	1	1
3	MAIN IM HOUSING	HIGH TEMPERATURE PLASTIC,BLACK, UL94V-0	1	1
2	MAIN SHELL	STAINLESS STEEL, OVER ALL, 1.27 um MIN NI PLATED.	1	1
1	BRACKET SHELL	STAINLESS STEEL, OVER ALL, 1.27 um MIN NI PLATED.	1	1

(51)

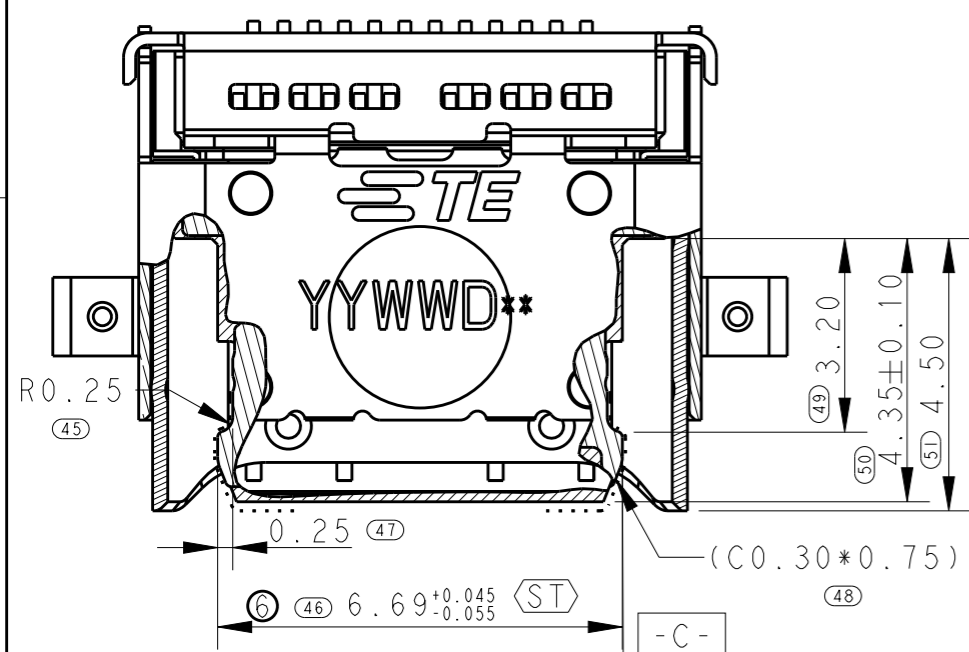
THIS DRAWING IS A CONTROLLED DOCUMENT.		DWN S.ZH 18AUG2015	TE Connectivity NAME USB C, RECEPTACLE, DUAL ROW SMT, OFFSET 0.65MM -	
DIMENSIONS: mm		CHK H.WU 18AUG2015		
TOLERANCES UNLESS OTHERWISE SPECIFIED:		APVD H.WU 18AUG2015		
0 PLC ±0.25 1 PLC ±0.25 2 PLC ±0.25 3 PLC ±0.25 4 PLC ±0.25 ANGLES ±3°		PRODUCT SPEC 108-115109-2		
MATERIAL SEE DRAWING		FINISH -	APPLICATION SPEC 501-115141-2	SIZE A3
-		-	WEIGHT -	CAGE CODE -
-		-	CUSTOMER DRAWING	DRAWING NO C-2295018
-		-	SCALE 1:1	RESTRICTED TO -
-		-	SHEET 1 OF 4	REV B1

THIS DRAWING IS UNPUBLISHED. RELEASED FOR PUBLICATION 20
COPYRIGHT 20 BY - ALL RIGHTS RESERVED.

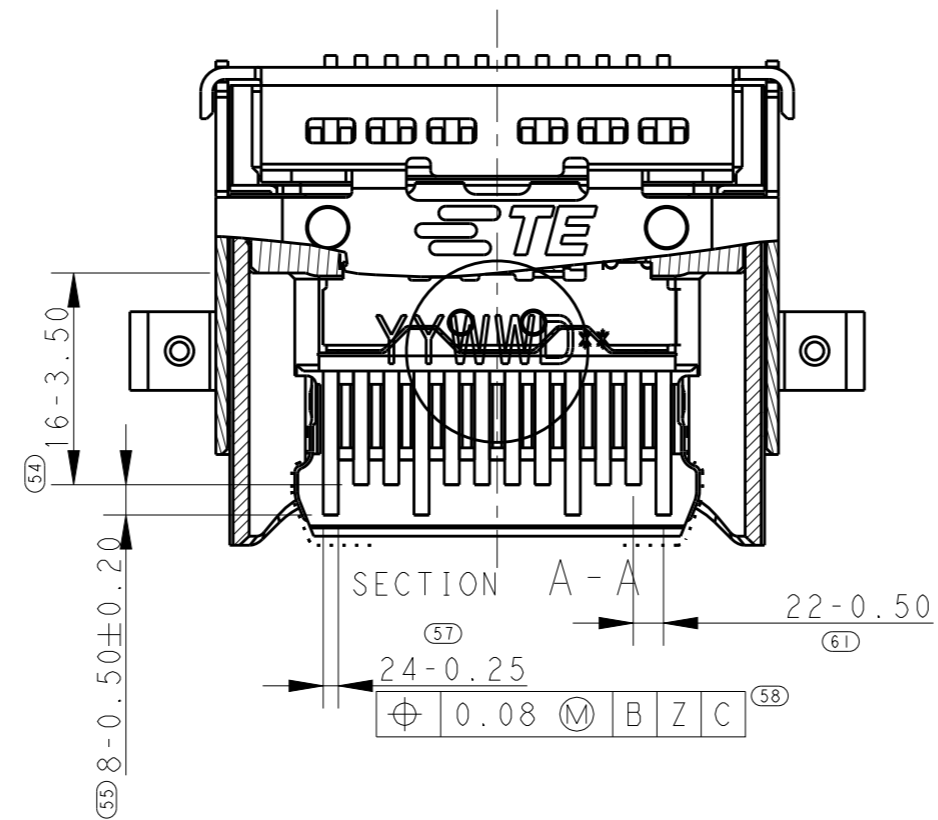
REVISIONS

P	LTR	DESCRIPTION	DATE	DWN	APVD
-	-	SEE SHEET 1	-	-	-

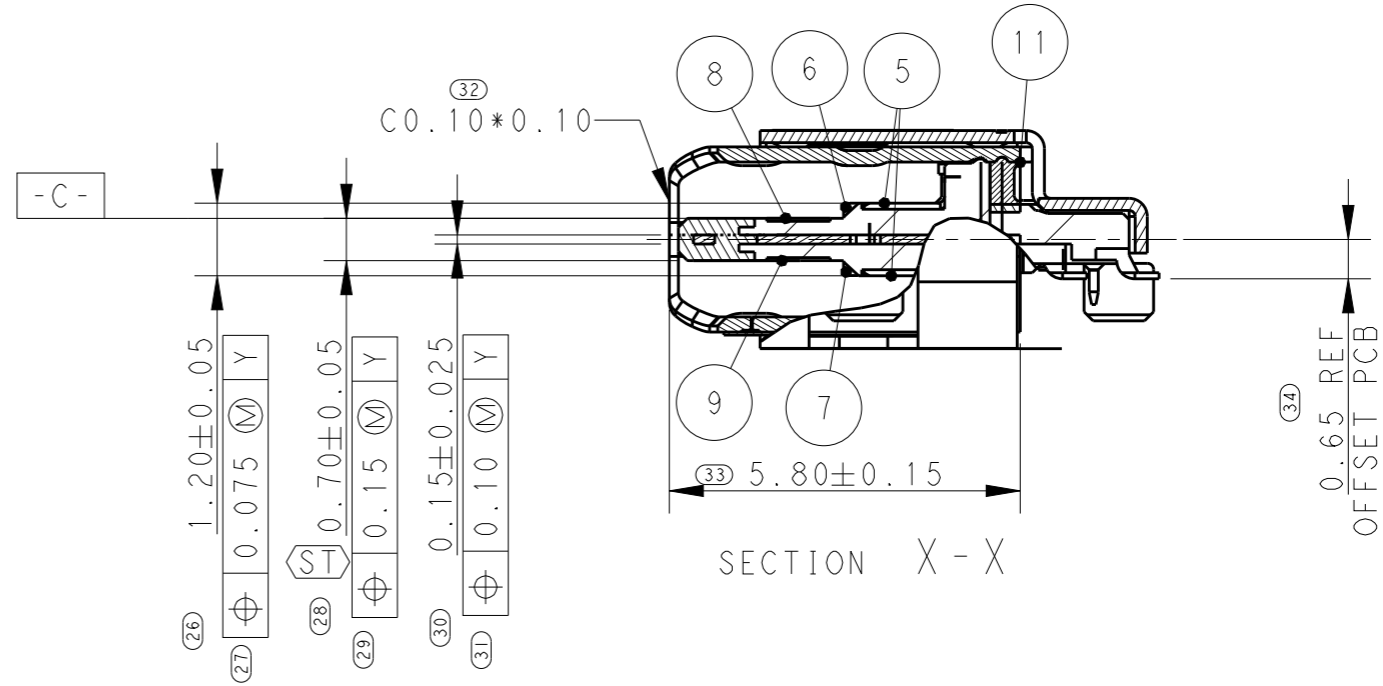
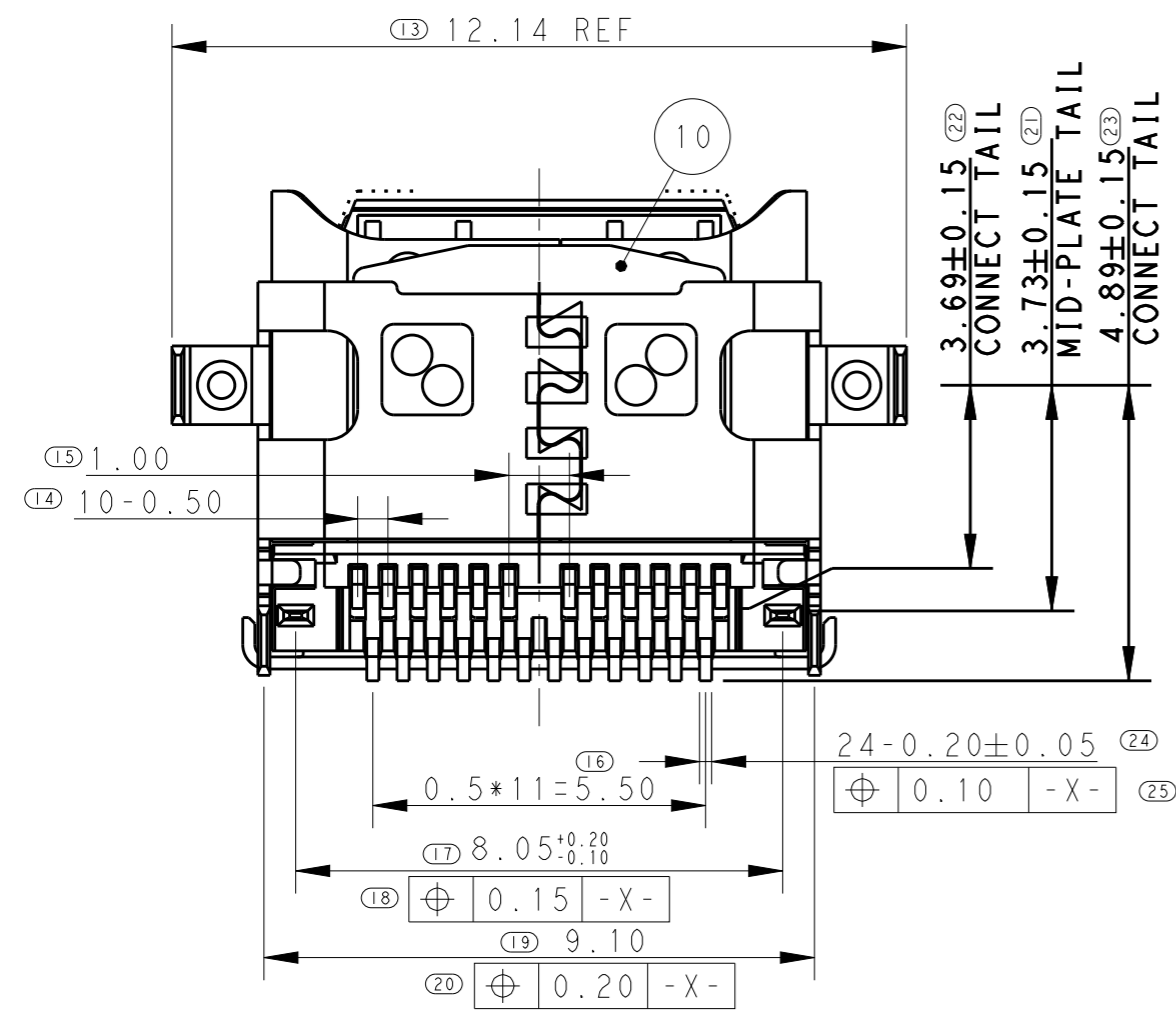
SHOWN AS; 2295018-2



SECTION Y - Y



SECTION A - A

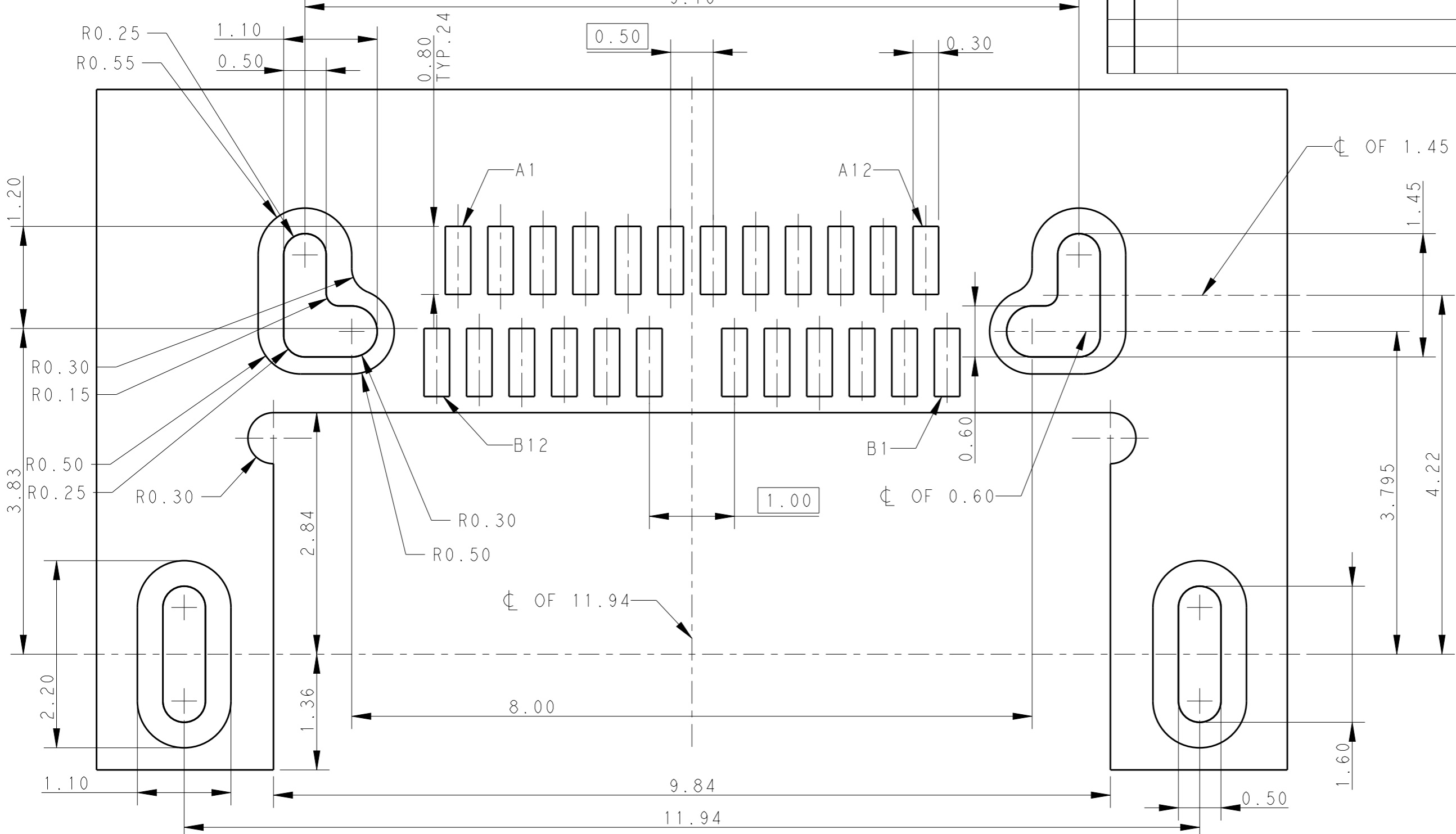


SECTION X - X

THIS DRAWING IS A CONTROLLED DOCUMENT.		DWN S.ZH 18AUG2015	STE TE Connectivity
DIMENSIONS: mm		CHK H.WU 18AUG2015	
TOLERANCES UNLESS OTHERWISE SPECIFIED:		APVD H.WU 18AUG2015	NAME USB C, RECEPTACLE, DUAL ROW SMT, OFFSET 0.65MM
0 PLC ±0.25		PRODUCT SPEC 108-115109-2	SIZE A3
1 PLC ±0.25		APPLICATION SPEC 501-115141-2	CAGE CODE -
2 PLC ±0.25		WEIGHT -	DRAWING NO C-2295018
3 PLC ±0.25		CUSTOMER DRAWING	RESTRICTED TO -
4 PLC ±0.25		SCALE 1:1	SHEET 2 OF 4
ANGLES ±3°			REV B1
FINISH -			

REVISIONS					
P	LTR	DESCRIPTION	DATE	DWN	APVD
-	-	SEE SHEET 1	-	-	-

SHOWN AS; 2295018-2, 1-2295018-2
9.10




ONLY REFERENCE PCB LAYOUT(TOP VIEW)
THICKNESS: 0.80MM
GENERAL TOLERANCE: ±0.03

SCALE 20:1

RECEPTACLE PIN LABEL:

A1	A2	A3	A4	A5	A6	A7	A8	A9	A10	A11	A12
GND	TX1+	TX1-	VBUS	CC1	D+	D-	SBU1	VBUS	RX2-	RX2+	GND
GND	RX1+	RX1-	VBUS	SBU2	D-	D+	CC2	VBUS	TX2-	TX2+	GND
B12	B11	B10	B9	B8	B7	B6	B5	B4	B3	B2	B1

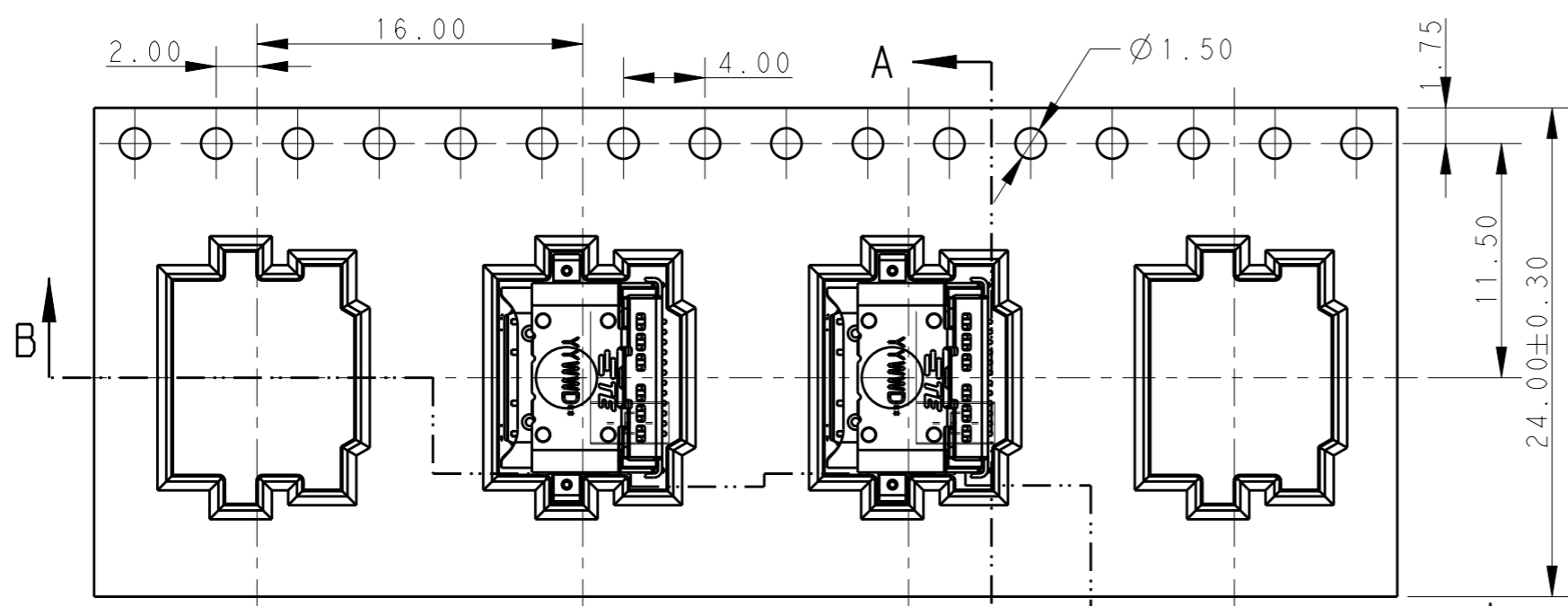
THIS DRAWING IS A CONTROLLED DOCUMENT.		DWN S.ZH	18AUG2015	 TE Connectivity
DIMENSIONS: mm		CHK H.WU	18AUG2015	
TOLERANCES UNLESS OTHERWISE SPECIFIED:		APVD H.WU	18AUG2015	
0 PLC ±0.25 1 PLC ±0.25 2 PLC ±0.25 3 PLC ±0.25 4 PLC ±0.25 ANGLES ±3°		PRODUCT SPEC 108-115109-2 APPLICATION SPEC 501-115141-2		
MATERIAL SEE DRAWING		WEIGHT -		NAME USB C, RECEPTACLE, DUAL ROW SMT, OFFSET 0.65MM -
-		CUSTOMER DRAWING		SIZE A3
-		-		CAGE CODE -
-		-		DRAWING NO ©=2295018
-		-		RESTRICTED TO -
-		-		SCALE 1:1
-		-		SHEET 3 OF 4
-		-		REV B1

THIS DRAWING IS UNPUBLISHED. RELEASED FOR PUBLICATION 20
 © COPYRIGHT 20 BY - ALL RIGHTS RESERVED.

REVISIONS					
P	LTR	DESCRIPTION	DATE	DWN	APVD
-	-	SEE SHEET 1	-	-	-

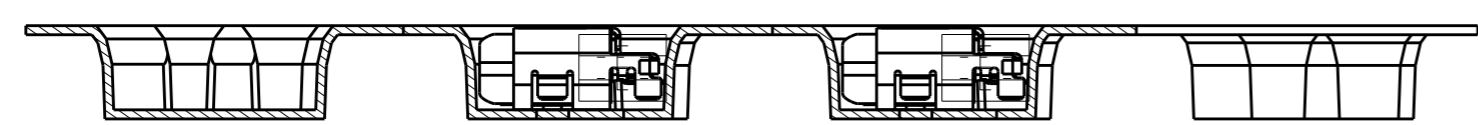
SHOWN AS; 2295018-2, 1-2295018-2

CUSTOMER FEED DIRECTION →



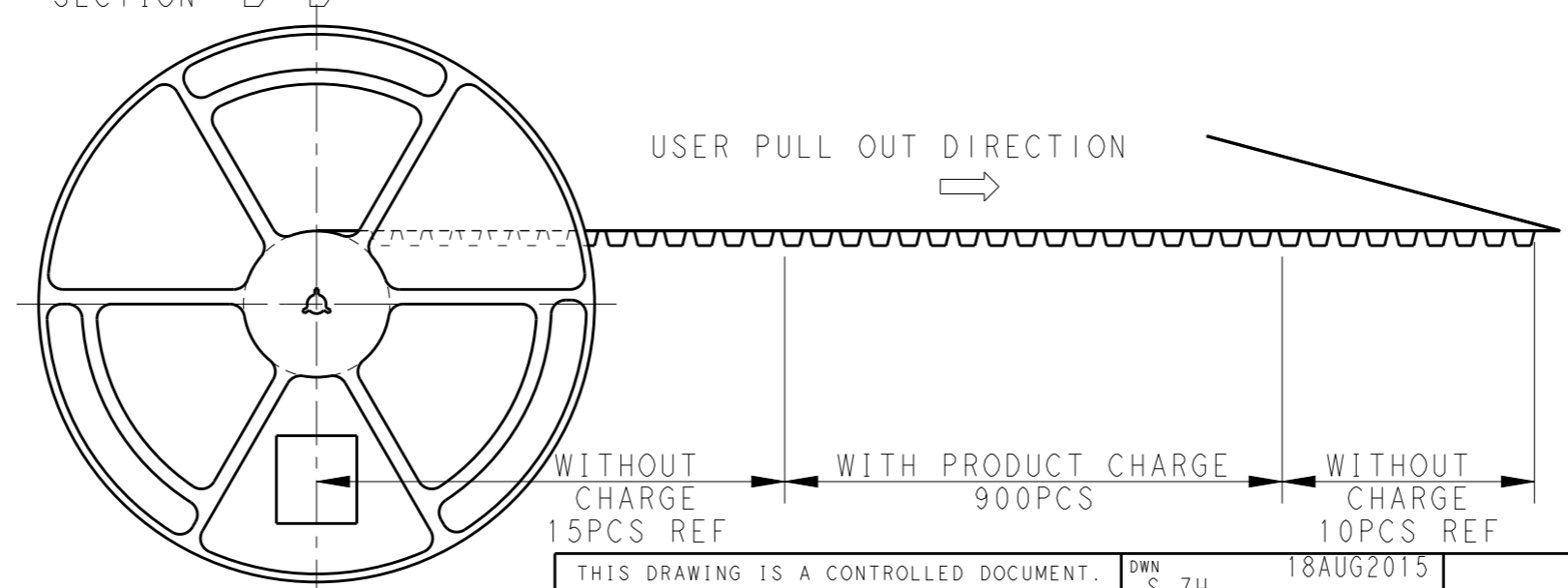
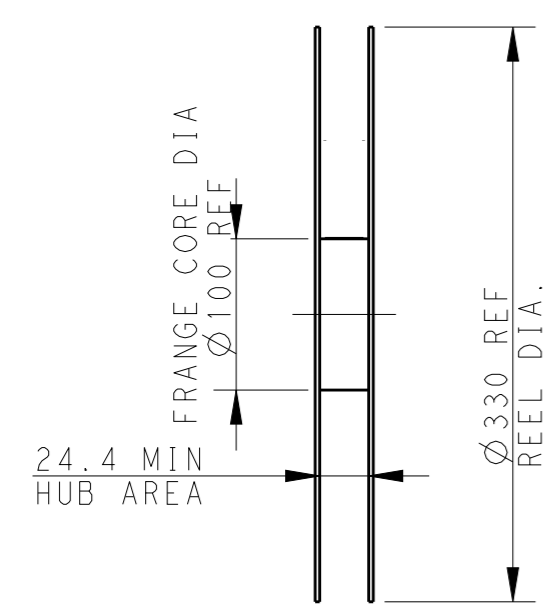
SCALE 3:1

SECTION A-A



SECTION B-B

USER PULL OUT DIRECTION →



WITHOUT CHARGE 15PCS REF WITH PRODUCT CHARGE 900PCS WITHOUT CHARGE 10PCS REF

THIS DRAWING IS A CONTROLLED DOCUMENT.		DWN S.ZH 18AUG2015		
DIMENSIONS: mm		CHK H.WU 18AUG2015		
TOLERANCES UNLESS OTHERWISE SPECIFIED:		APVD H.WU 18AUG2015	NAME USB C, RECEPTACLE, DUAL ROW SMT, OFFSET 0.65MM	
0 PLC ±0.25		PRODUCT SPEC 108-115109-2	SIZE A3	
1 PLC ±0.25		APPLICATION SPEC 501-115141-2	CAGE CODE -	DRAWING NO C-2295018
2 PLC ±0.25		WEIGHT -	RESTRICTED TO -	
3 PLC ±0.25		CUSTOMER DRAWING	SCALE 1:1	SHEET 4 OF 4
4 PLC ±0.25				REV B1
ANGLES ±3°				
FINISH -				
MATERIAL SEE DRAWING				

X-ON Electronics

Largest Supplier of Electrical and Electronic Components

Click to view similar products for [USB Connectors](#) category:

Click to view products by [TE Connectivity](#) manufacturer:

Other Similar products are found below :

[65-647-8-BK-BU](#) [950](#) [952](#) [E8144-B01021-L](#) [A-USB B-TOP-C](#) [MUSBA511N5](#) [MUSBD11135](#) [217450-1](#) [KMBVX-TH-5S-B30](#) [896-30-004-00-000000](#) [KUSBVX-BS1N-W30](#) [KUSBX-AP-KIT-SCBLK](#) [KUSBX-AS2N-W](#) [KUSBX-SMT2AP1S-W](#) [KUSBX-SMT2AP1S-W30](#) [935](#) [957](#) [30-498-6](#) [17-210051](#) [1734082-1](#) [30-1574](#) [30-470](#) [30-489](#) [30-541](#) [30-572-3](#) [A-USB A-2P-C](#) [MIKROE-1451](#) [USBFTV2PEM2G](#) [USBFTVC6ZN](#) [KUSBX-AS2N-W30](#) [KUSBX-SLAS1N-W](#) [KUSBX-SMT-AS1N-W30](#) [4689-1](#) [1-1734084-2](#) [E8110-001-01](#) [33UBARS1-04SW11](#) [33UBAR-04SW11](#) [USBF21ZNSCC](#) [USBBFTV6ZC](#) [10135326-001LF](#) [USB-A-S-F-B-VT](#) [925](#) [4198](#) [690-024-633-031](#) [KUSBEX-BSFS1N-W](#) [USBFTVC6MRG](#) [UA-20BMFA-SL8001](#) [17-250101](#) [USBFTVC7ZC](#) [USBFTV75NF459](#)